



US00D664272S

(12) **United States Design Patent**  
**Lee**

(10) **Patent No.:** **US D664,272 S**  
(45) **Date of Patent:** **\*\* Jul. 24, 2012**

(54) **LED LAMP**

D646,806 S \* 10/2011 Li et al. .... D26/2  
D647,640 S \* 10/2011 Parker et al. .... D26/2  
D647,646 S \* 10/2011 Tsung ..... D26/2

(75) Inventor: **Geon-Gook Lee**, Gwangju (KR)

\* cited by examiner

(73) Assignee: **Techwon Co., Ltd.** (KR)

*Primary Examiner* — Marcus Jackson

(\*\*) Term: **14 Years**

(74) *Attorney, Agent, or Firm* — Cantor Colburn LLP

(21) Appl. No.: **29/399,288**

(57) **CLAIM**

The ornamental design for a LED lamp, as shown and described.

(22) Filed: **Aug. 11, 2011**

**DESCRIPTION**

(30) **Foreign Application Priority Data**

Mar. 4, 2011 (KR) ..... 30-2011-0008847

FIG. 1 is a perspective view of a LED lamp showing my new design;

(51) **LOC (9) Cl.** ..... **26-04**

FIG. 2 is a front view thereof;

(52) **U.S. Cl.** ..... **D26/2**

FIG. 3 is a rear view thereof;

(58) **Field of Classification Search** ..... D26/1-4;

FIG. 4 is a left side view thereof;

313/313, 315, 316, 317, 318, 493; 315/52,

FIG. 5 is a right side view thereof;

315/53, 56, 57, 58

FIG. 6 is a top plan view thereof;

See application file for complete search history.

FIG. 7 is a bottom plan view thereof; and,

FIG. 8 is a reference perspective view showing use of the LED lamp.

(56) **References Cited**

The broken lines are shown for illustrative purposes only and form no part of the claimed design.

**U.S. PATENT DOCUMENTS**

D634,036 S \* 3/2011 Kim et al. .... D26/2

D634,453 S \* 3/2011 Kim et al. .... D26/2

**1 Claim, 7 Drawing Sheets**

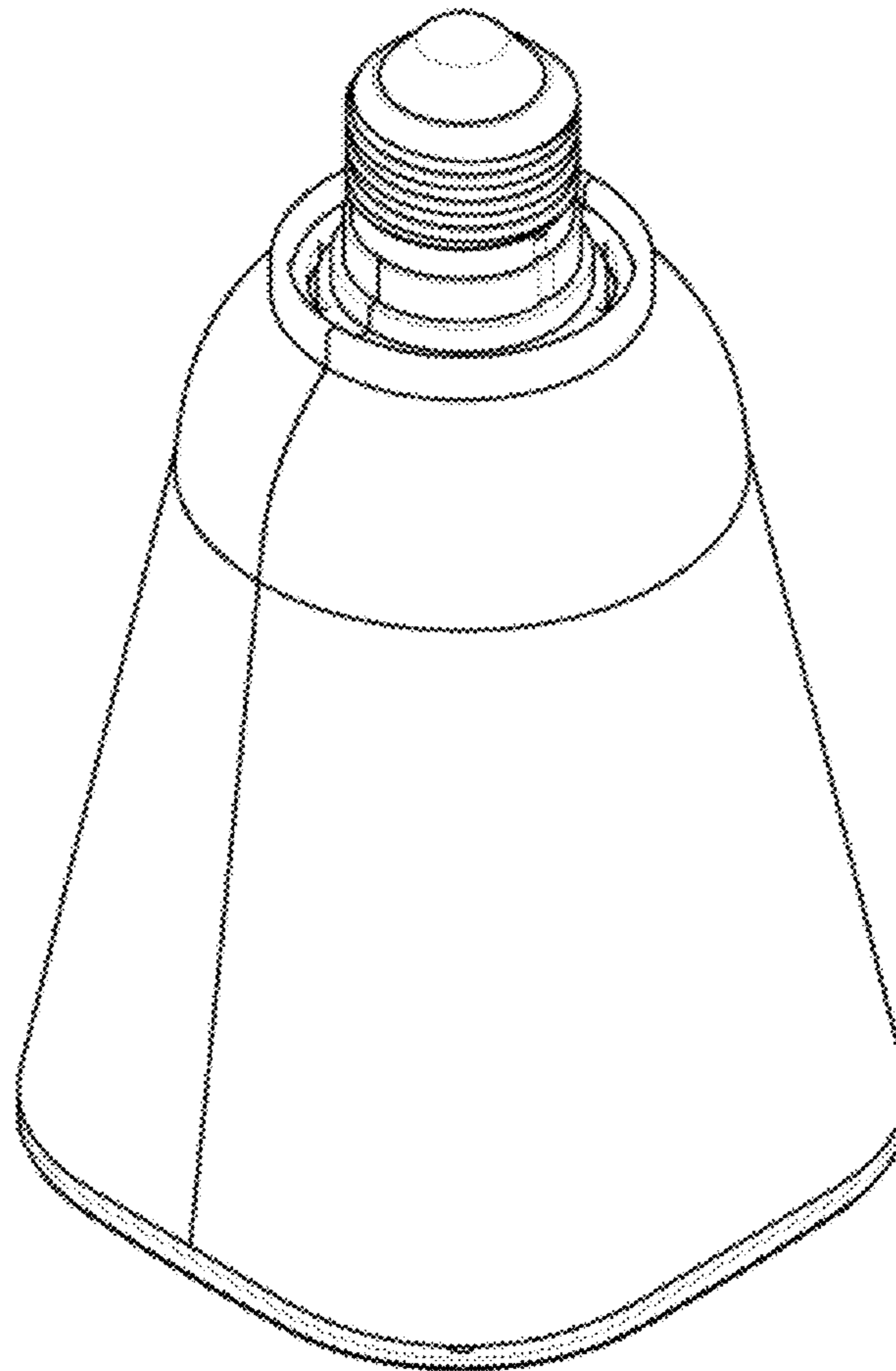


FIG. 1

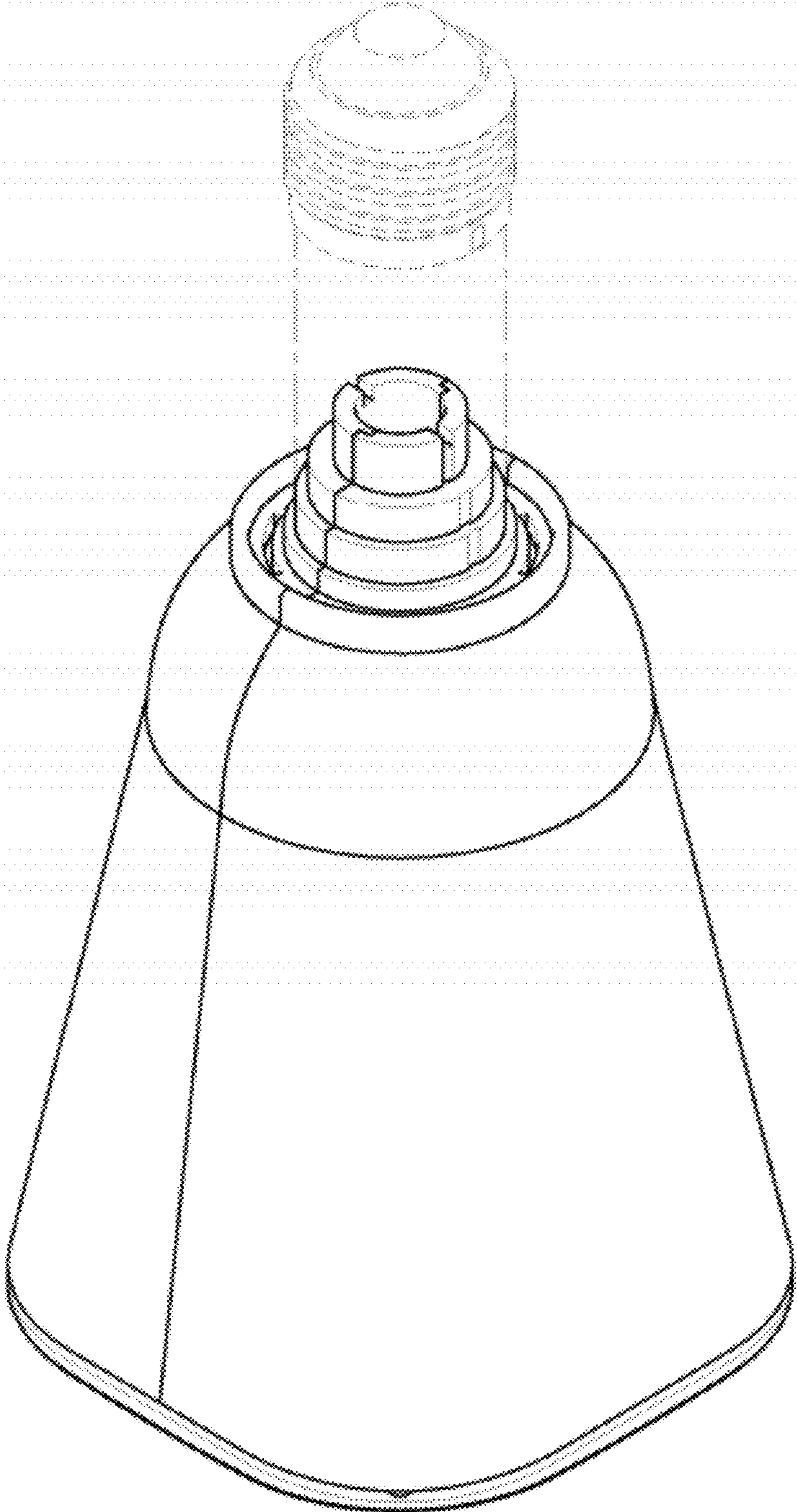


FIG. 2

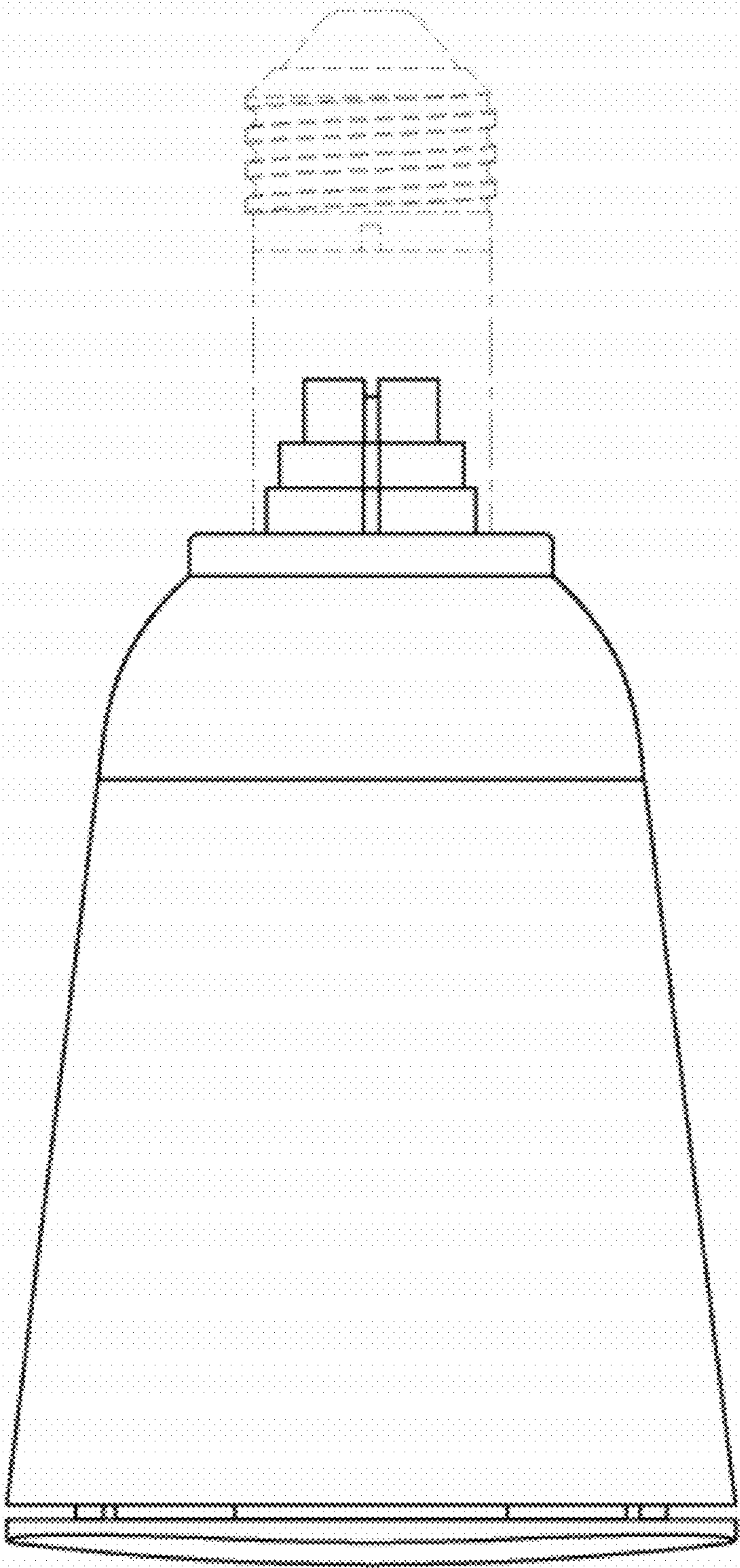


FIG. 3

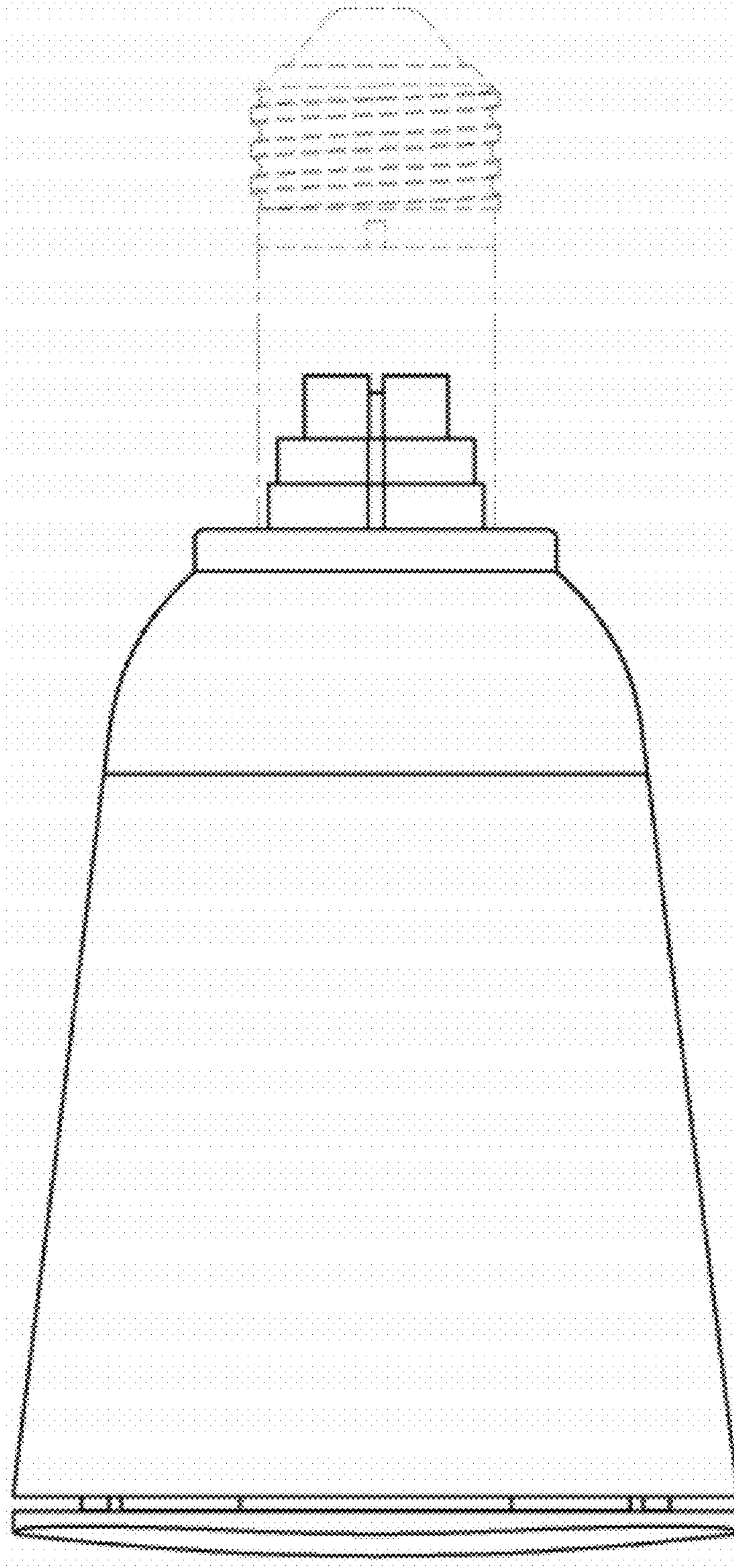


FIG. 4

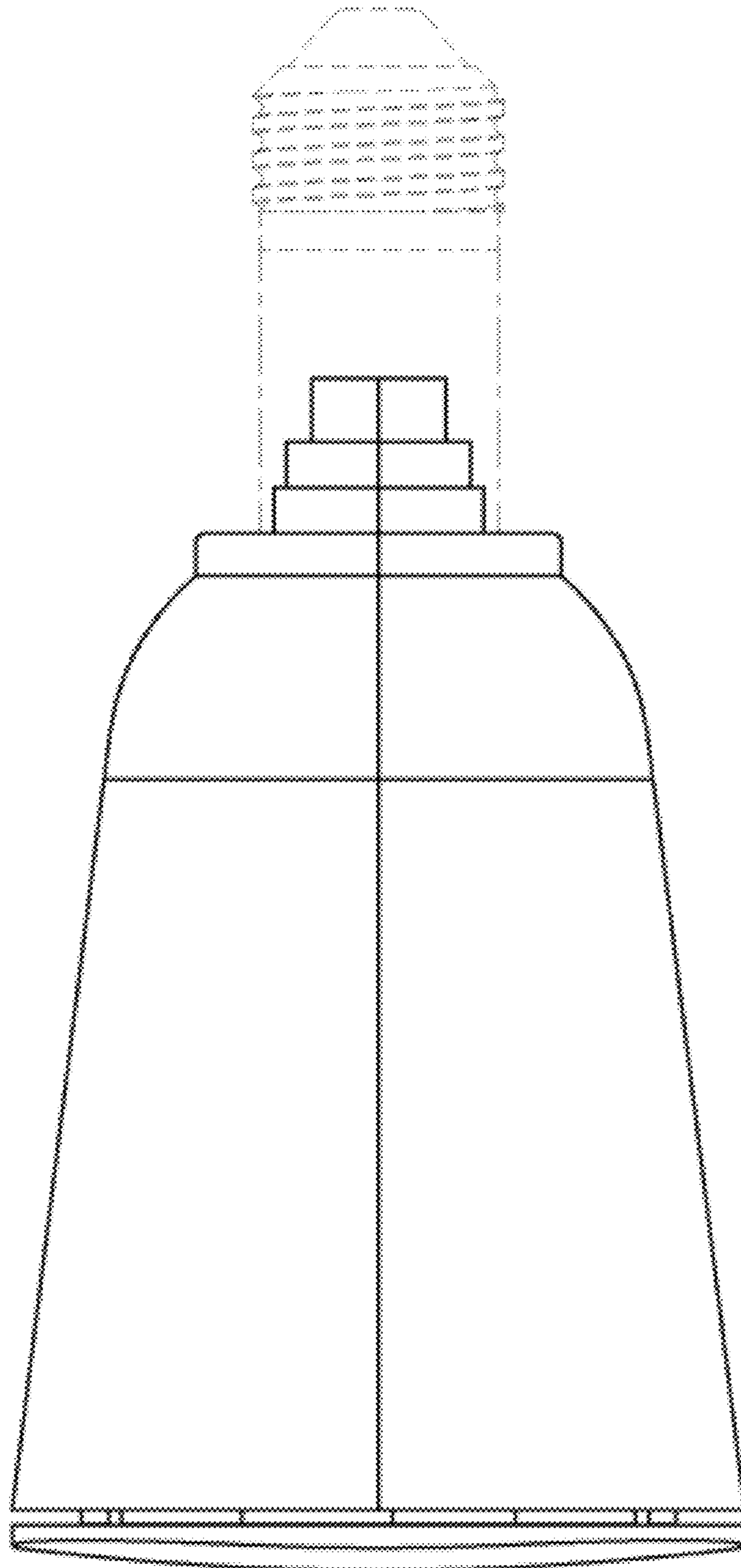


FIG. 5

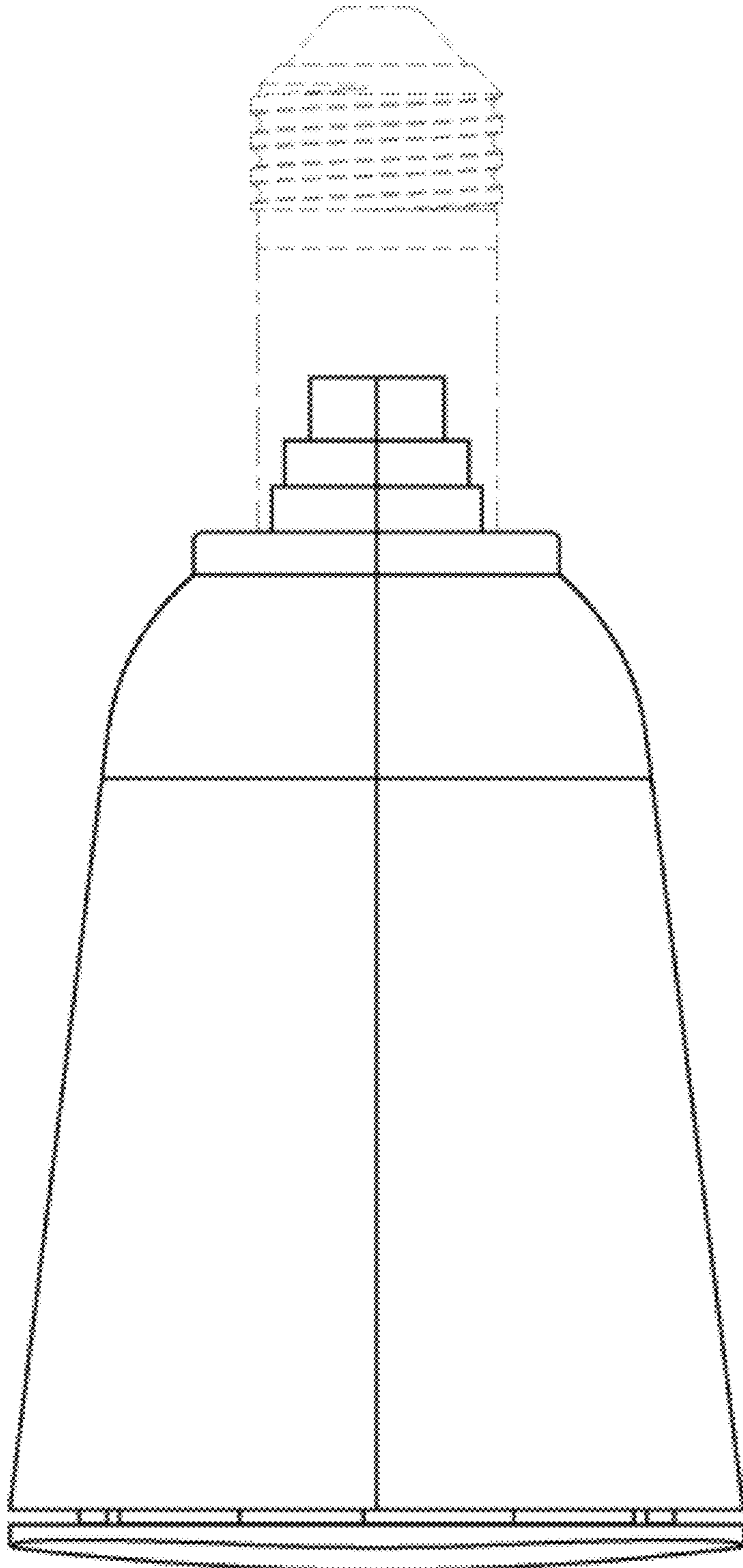


FIG. 6

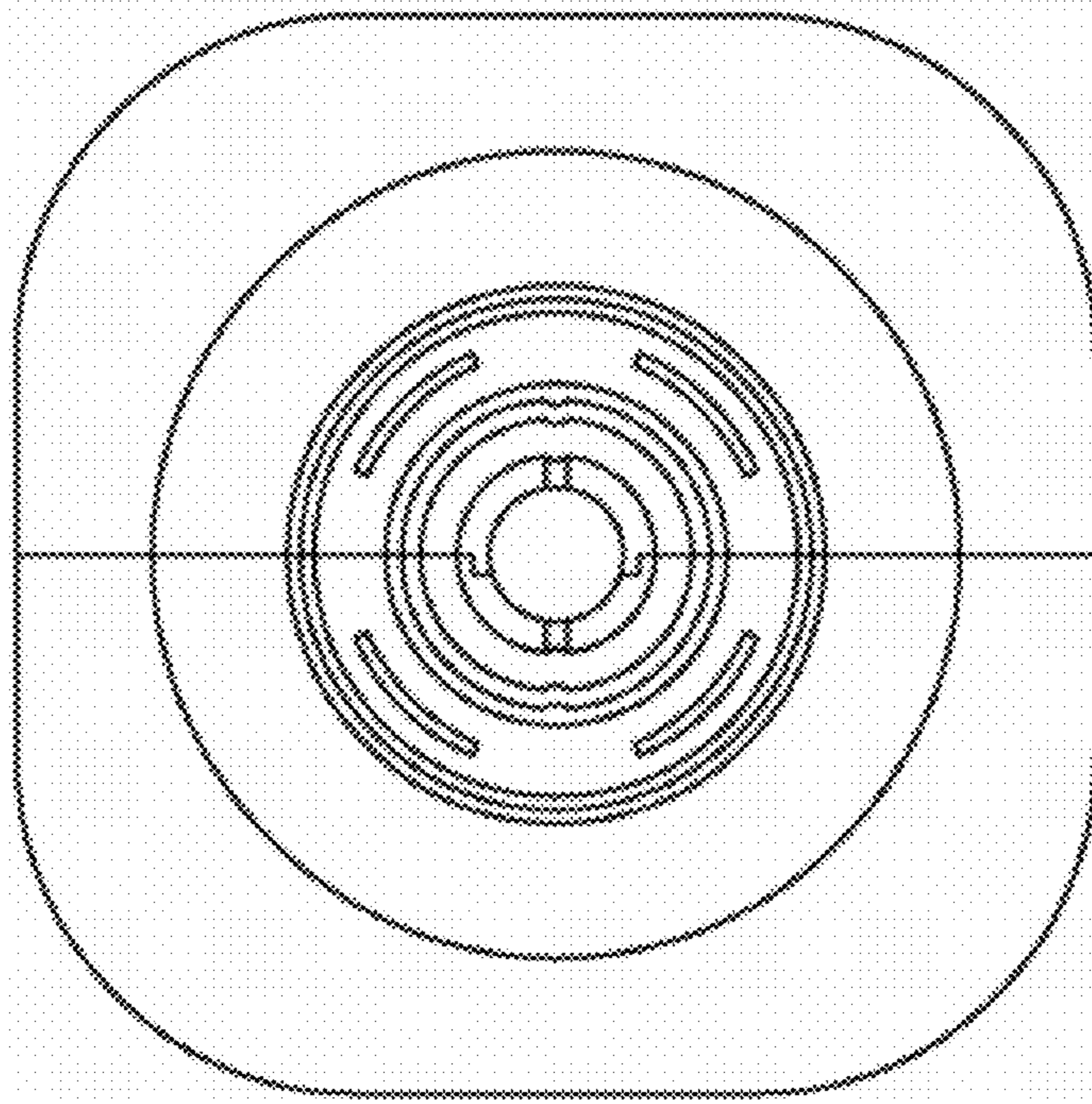


FIG. 7

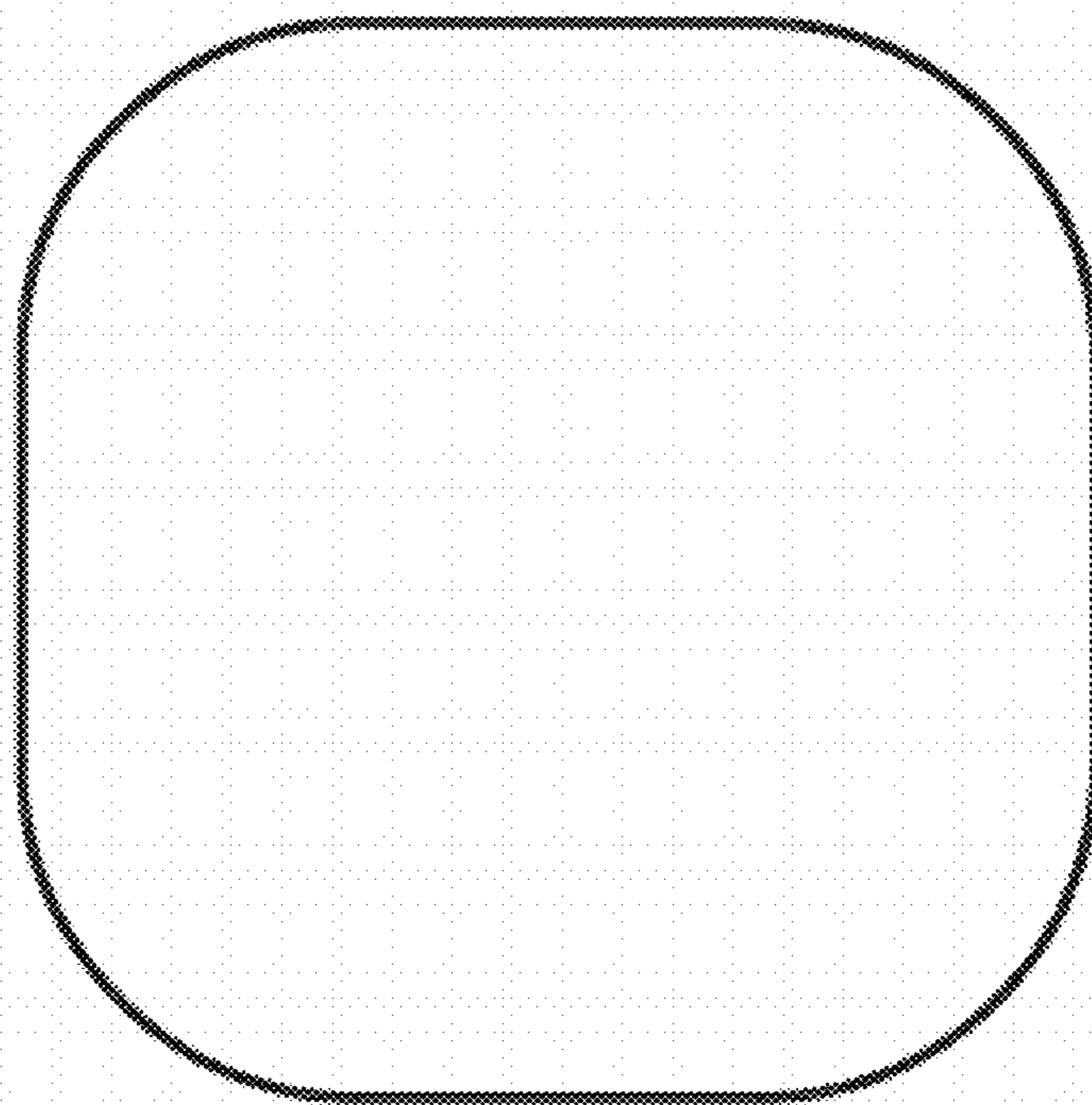


FIG. 8

