

US00D664269S

(12) **United States Design Patent**
Kim

(10) **Patent No.:** **US D664,269 S**
(45) **Date of Patent:** **** Jul. 24, 2012**

(54) **FLOOR PANEL FOR A CLEAN ROOM**

(75) Inventor: **Won-Sop Kim**, Incheon (KR)

(73) Assignee: **Hae Kwang Co. Ltd.**, Jincheon (KR)

(**) Term: **14 Years**

(21) Appl. No.: **29/403,791**

(22) Filed: **Oct. 11, 2011**

(30) **Foreign Application Priority Data**

May 9, 2011 (KR) 30-2011-0018906

(51) **LOC (9) Cl.** **25-01**

(52) **U.S. Cl.** **D25/155; D25/152**

(58) **Field of Classification Search** D25/138,
D25/152, 153, 155; 52/581, 177, 180, 302.1,
52/474, 475.1, 483.1, 384, 389, 663, 661,
52/673

See application file for complete search history.

(56) **References Cited**

U.S. PATENT DOCUMENTS

3,638,404 A * 2/1972 Moll et al. 55/473
D253,968 S * 1/1980 Bogan D25/155
4,791,763 A * 12/1988 Koutzaroff 52/180

6,526,705 B1 * 3/2003 MacDonald 52/177
2001/0039781 A1 * 11/2001 Oh et al. 52/745.05
2002/0178661 A1 * 12/2002 Burke et al. 52/177

* cited by examiner

Primary Examiner — Doris Clark

(74) *Attorney, Agent, or Firm* — Maxon IP LLC; Justin H. Kim

(57) **CLAIM**

The ornamental design for floor panel for a clean room, as shown and described.

DESCRIPTION

FIG. 1 is a perspective view of a floor panel for a clean room; FIG. 2 is a front view thereof, the rear view being identical with the front view.

FIG. 3 is a left side view thereof, the right side view being identical with the left side view;

FIG. 4 is a top view thereof;

FIG. 5 is a bottom view thereof;

FIG. 6 is a reference bottom view thereof showing cross-sectional lines;

FIG. 7 is a cross-sectional view of FIG. 6 as taken along lines of 7-7 line;

FIG. 8 is a cross-sectional view of FIG. 6 as taken along lines of 8-8 line;

FIG. 9 is a cross-sectional view of FIG. 6 as taken along lines of 9-9 line; and,

FIG. 10 is a bottom perspective view of FIG. 5.

1 Claim, 7 Drawing Sheets

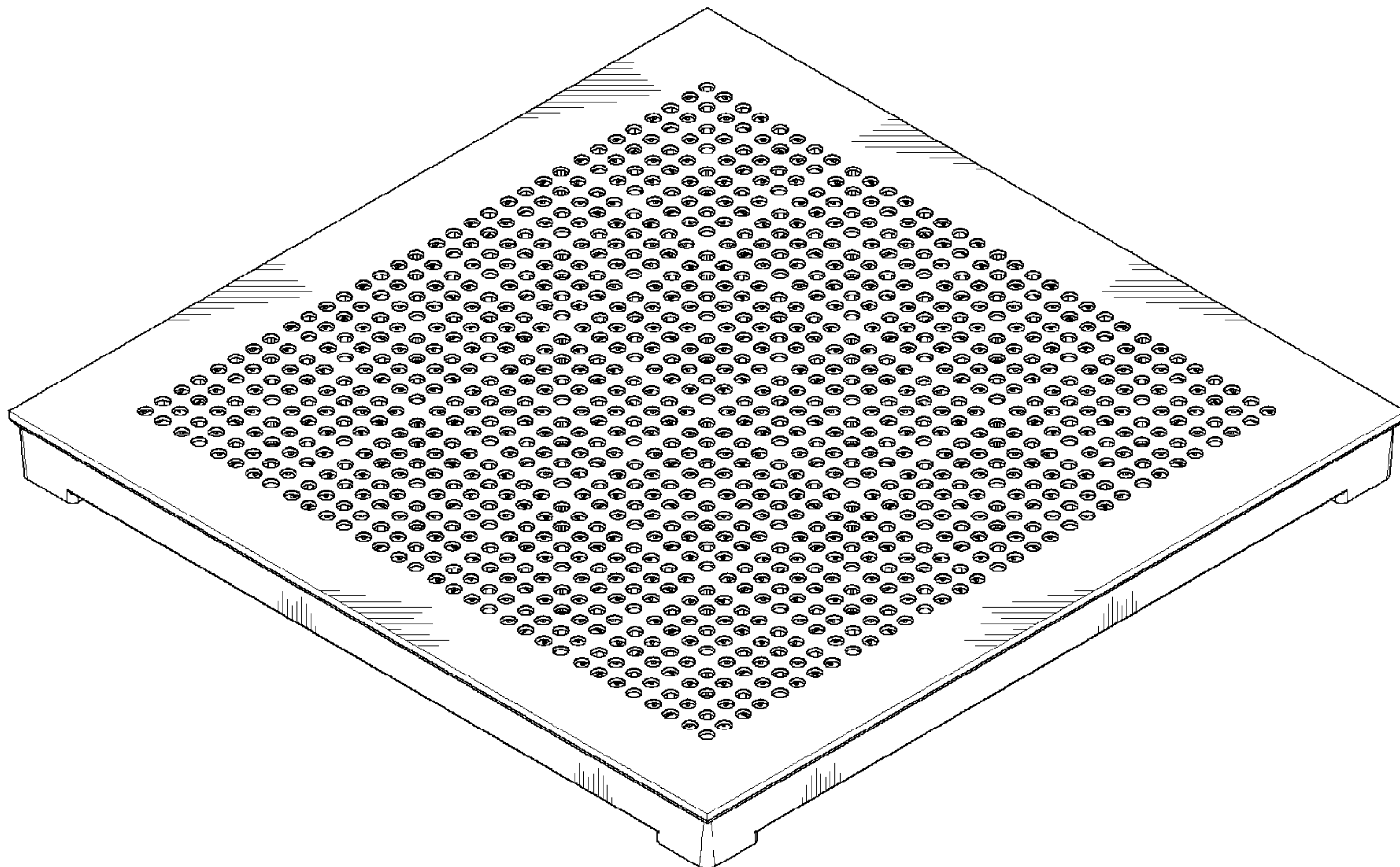


FIG.1

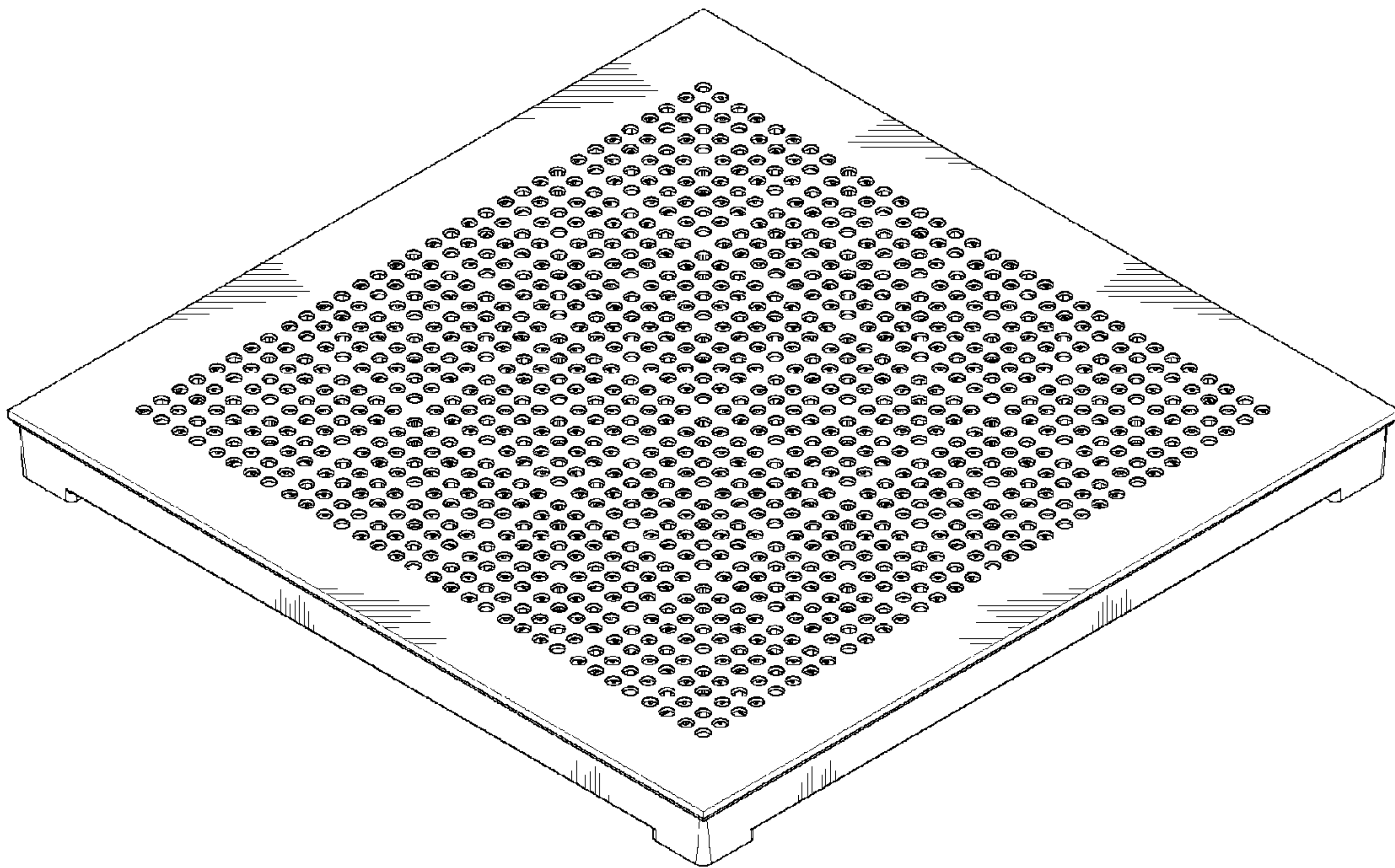


FIG.2



FIG.3



FIG.4

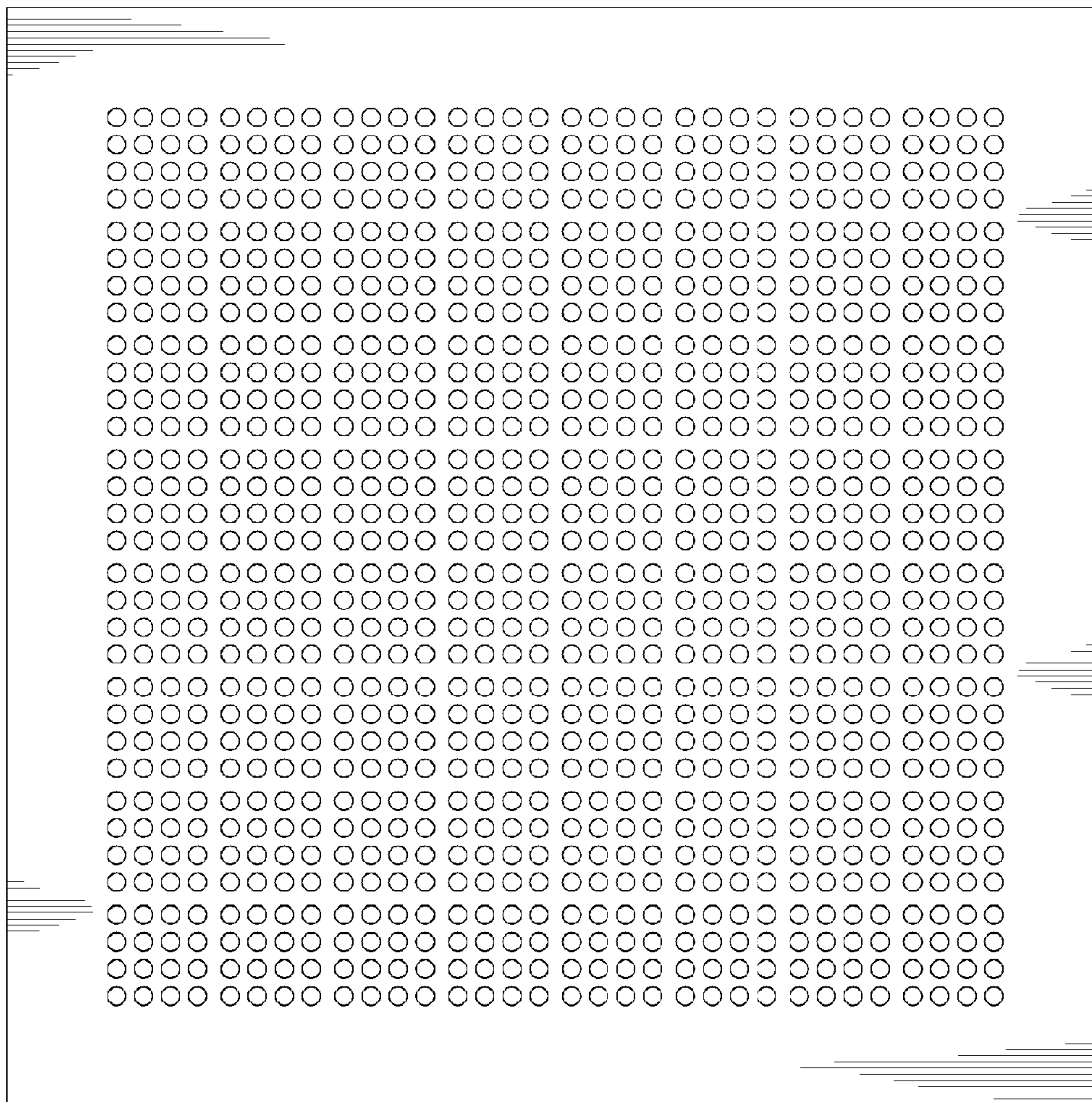


FIG.5

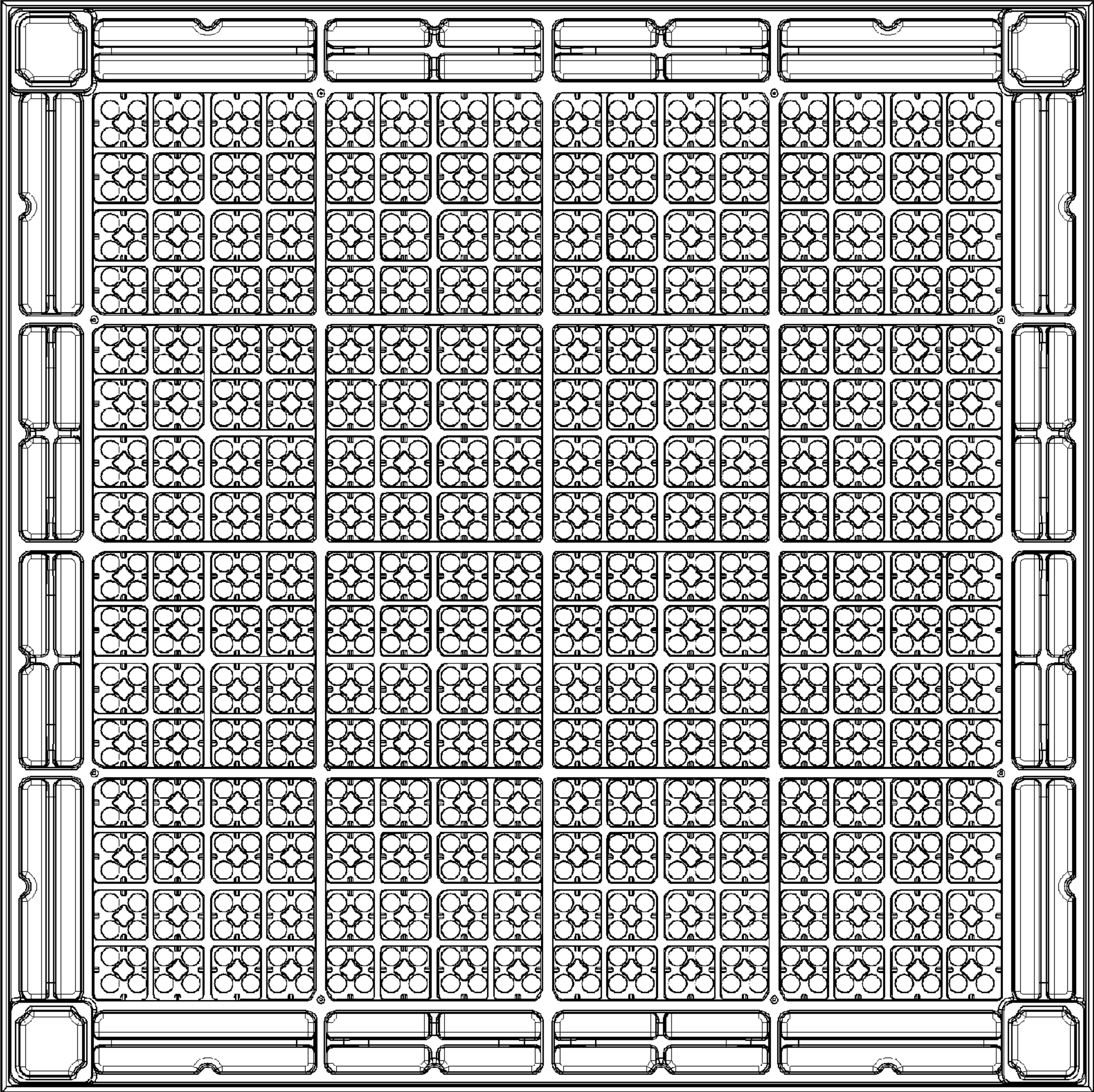


FIG.6

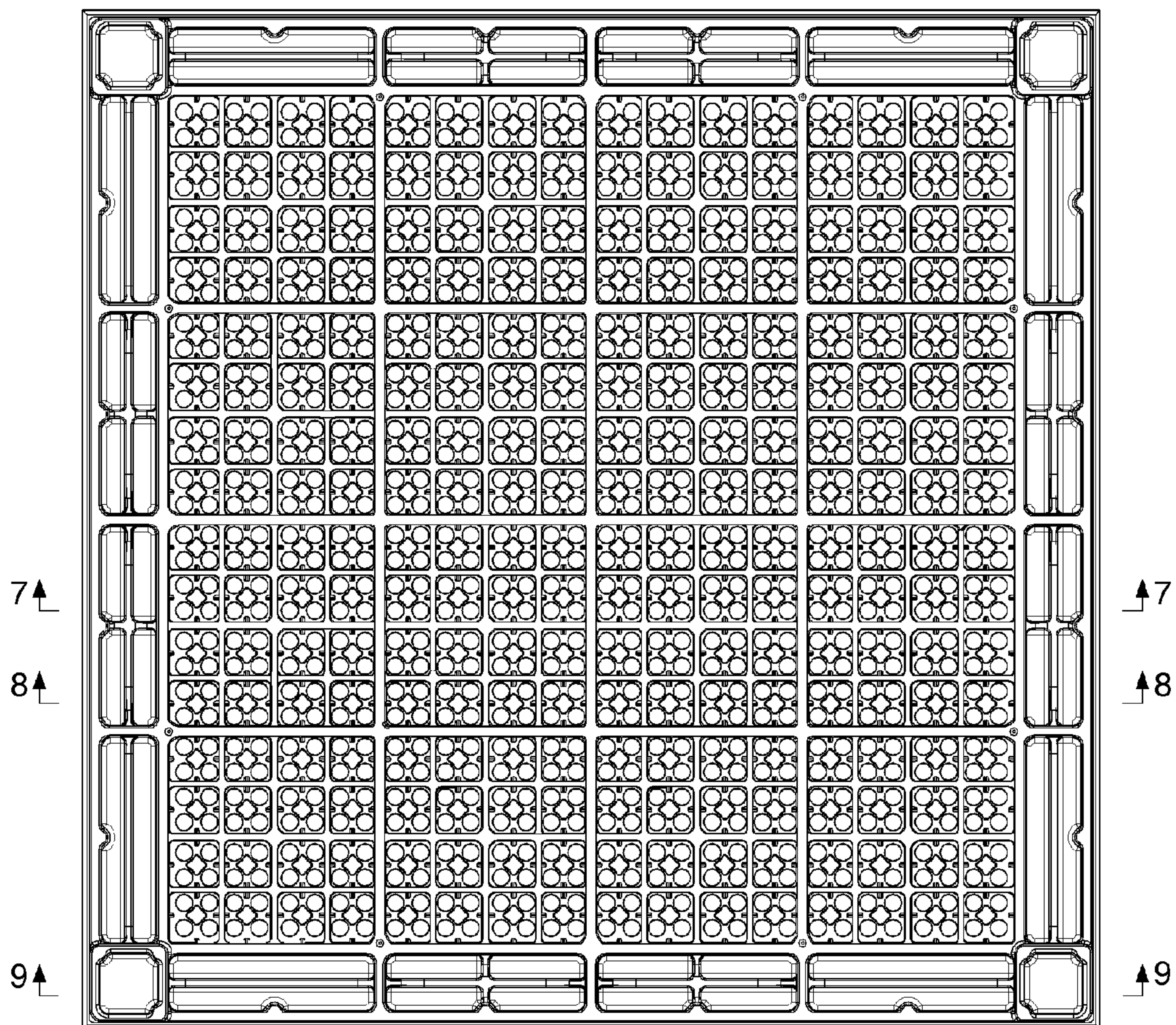


FIG.7

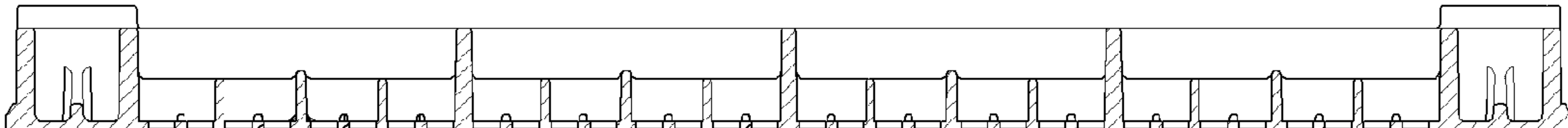


FIG.8

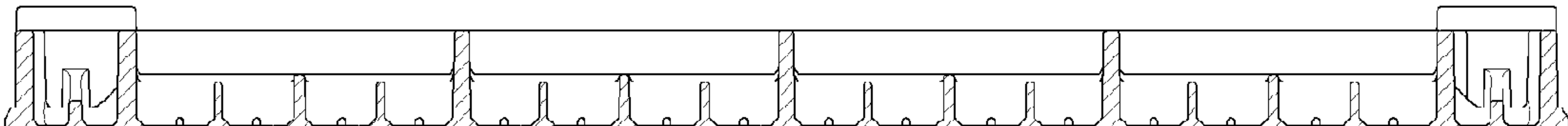


FIG.9

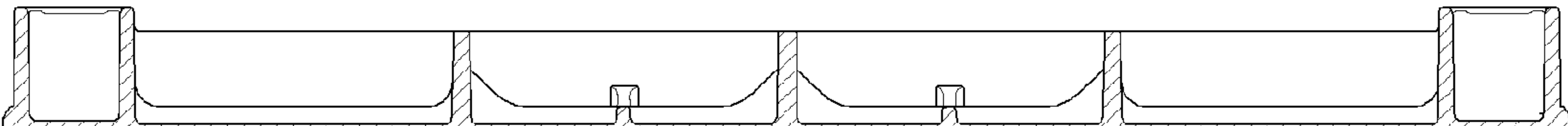


FIG.10

