



US00D664267S

(12) **United States Design Patent**
Kim et al.

(10) **Patent No.:** **US D664,267 S**

(45) **Date of Patent:** **** Jul. 24, 2012**

(54) **MEMBER FOR WINDOWS AND DOORS**

(75) Inventors: **Jeong-Hyeon Kim**, Cheongju-si (KR);
Hag-Gyu Park, Seoul (KR); **Ju-Han Lee**,
Cheongju-si (KR); **Chang-Hyeon Ji**,
Cheongju-si (KR)

(73) Assignee: **LG Hausys, Ltd**, Seoul (KR)

(**) Term: **14 Years**

(21) Appl. No.: **29/398,550**

(22) Filed: **Aug. 2, 2011**

(30) **Foreign Application Priority Data**

Mar. 31, 2011 (KR) 30-2011-0012905

(51) **LOC (9) Cl.** **25-01**

(52) **U.S. Cl.** **D25/124**

(58) **Field of Classification Search** D25/124,
D25/125; 52/204.5, 656.5, 656.6; 49/DIG. 2
See application file for complete search history.

(56) **References Cited**

U.S. PATENT DOCUMENTS

D325,988	S	*	5/1992	Valentin	D25/124
D378,430	S	*	3/1997	Dallaire et al.	D25/125
D429,532	S	*	8/2000	Siudzinski et al.	D25/124
D453,576	S	*	2/2002	Scalzott	D25/124
D453,845	S	*	2/2002	Scalzott	D25/124
D493,894	S	*	8/2004	Wickland	D25/124
D566,859	S	*	4/2008	Fannan	D25/124

7,588,653	B2	*	9/2009	Crandell et al.	156/109
7,694,472	B2	*	4/2010	Rawlings	52/210
2006/0096193	A1	*	5/2006	Ohrstrom	52/204.5
2008/0086973	A1	*	4/2008	Hallenstvet et al.	52/656.6

* cited by examiner

Primary Examiner — Doris Clark

(74) *Attorney, Agent, or Firm* — Nath, Goldberg & Meyer;
Joshua B. Goldberg; Jerald L. Meyer

(57) **CLAIM**

The ornamental design for “member for windows and doors,”
as shown and described.

DESCRIPTION

FIG. 1 is a perspective view of a member for windows and doors;

FIG. 2 is a front view of the member for windows and doors;

FIG. 3 is a rear view of the member for windows and doors;

FIG. 4 is a left-side view of the member for windows and doors;

FIG. 5 is a right-side view of the member for windows and doors;

FIG. 6 is a top plan view of the member for windows and doors; and,

FIG. 7 is bottom plan view of the member for windows and doors.

The claimed design is implemented on any article of synthetic resin and metal material.

1 Claim, 6 Drawing Sheets

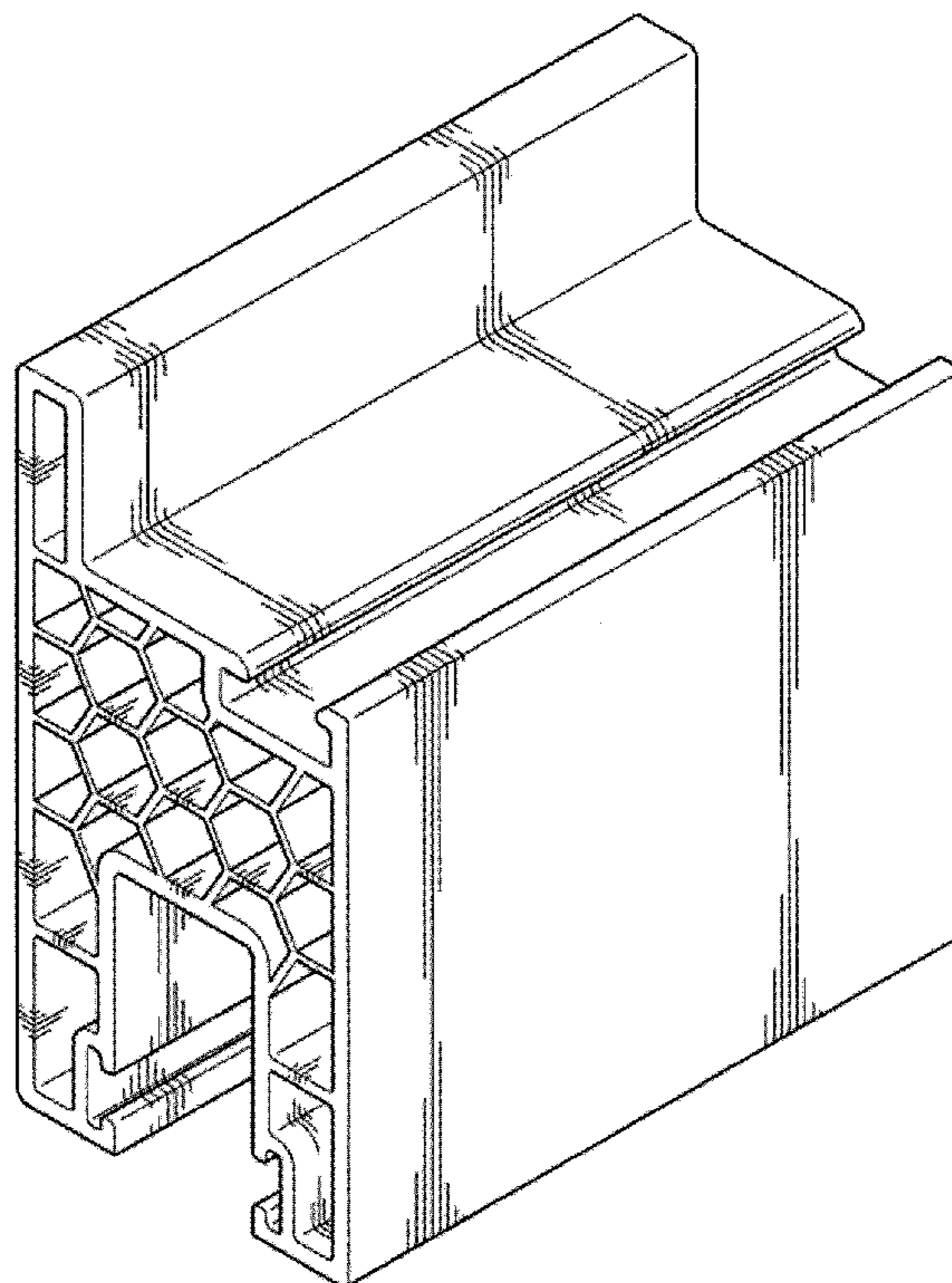


Fig. 1

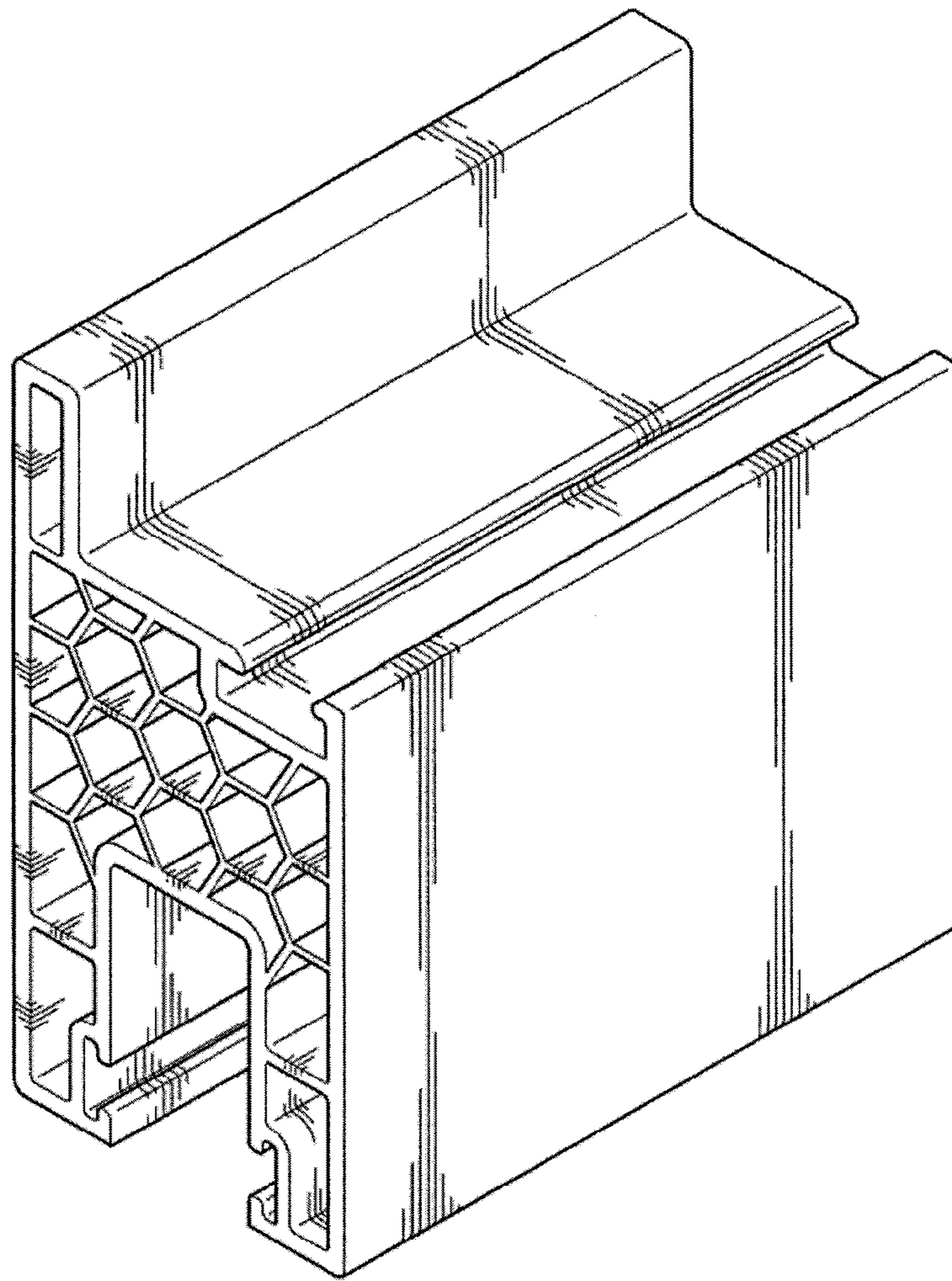


Fig. 2

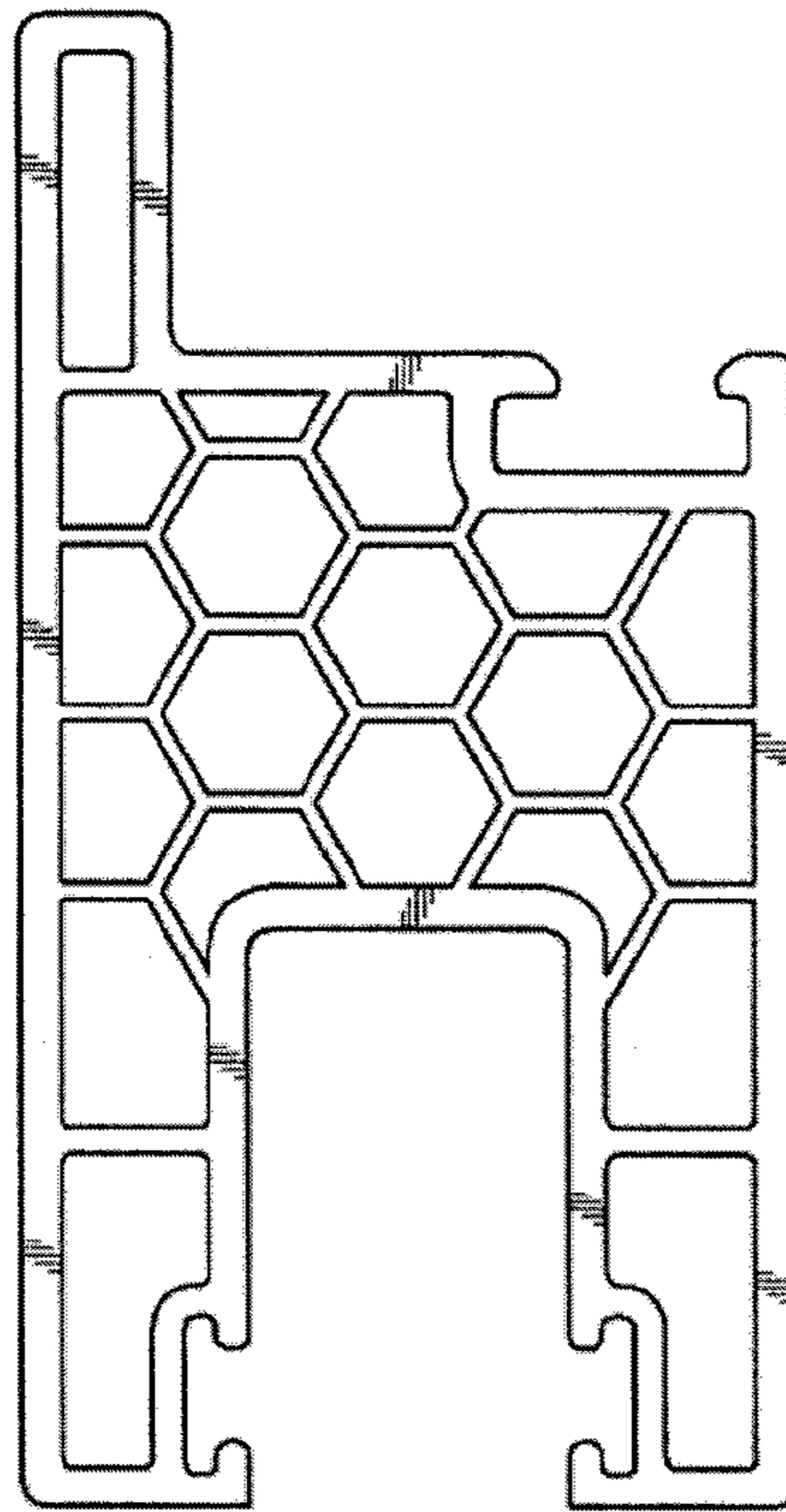


Fig. 3

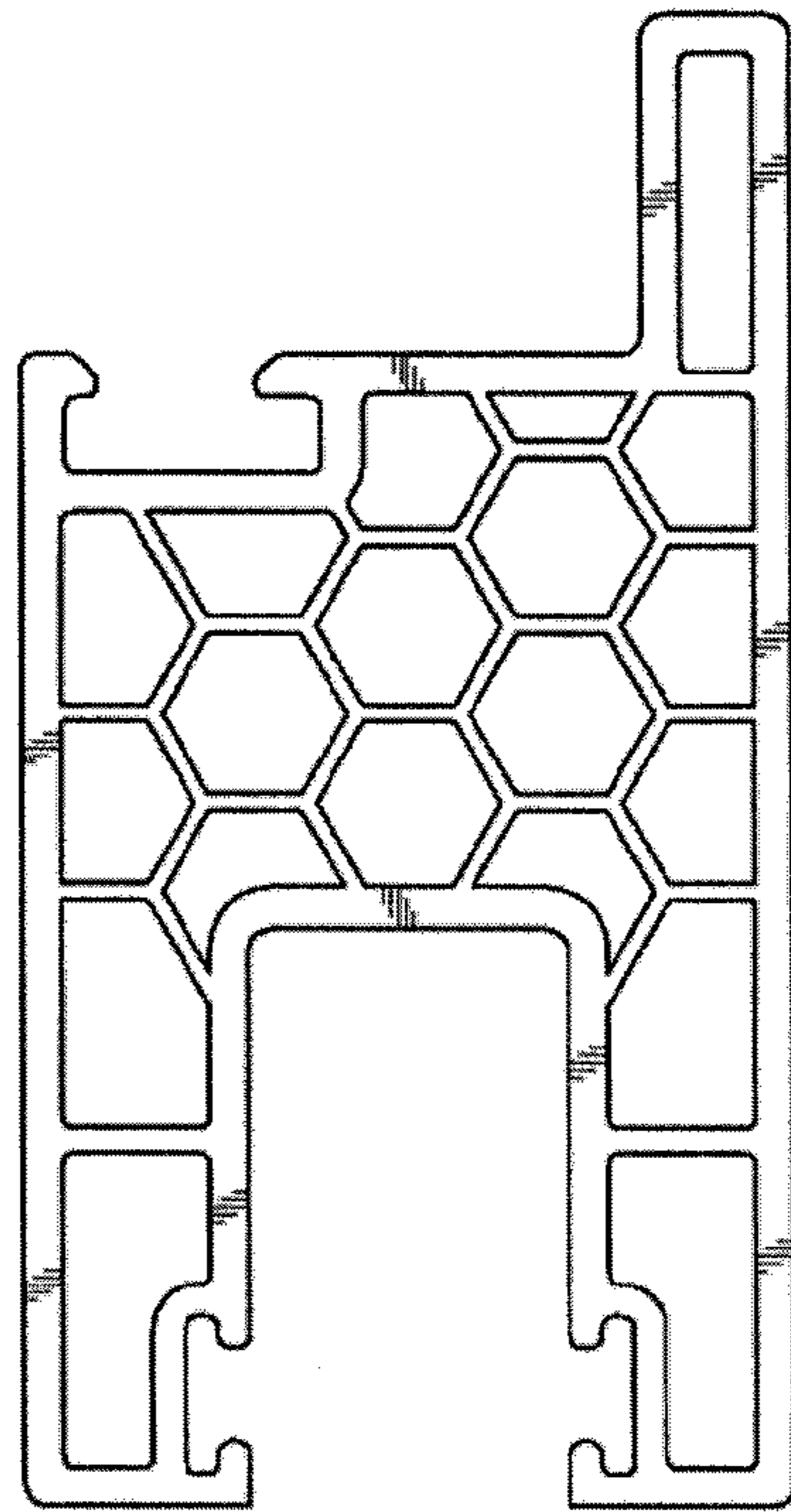


Fig. 4

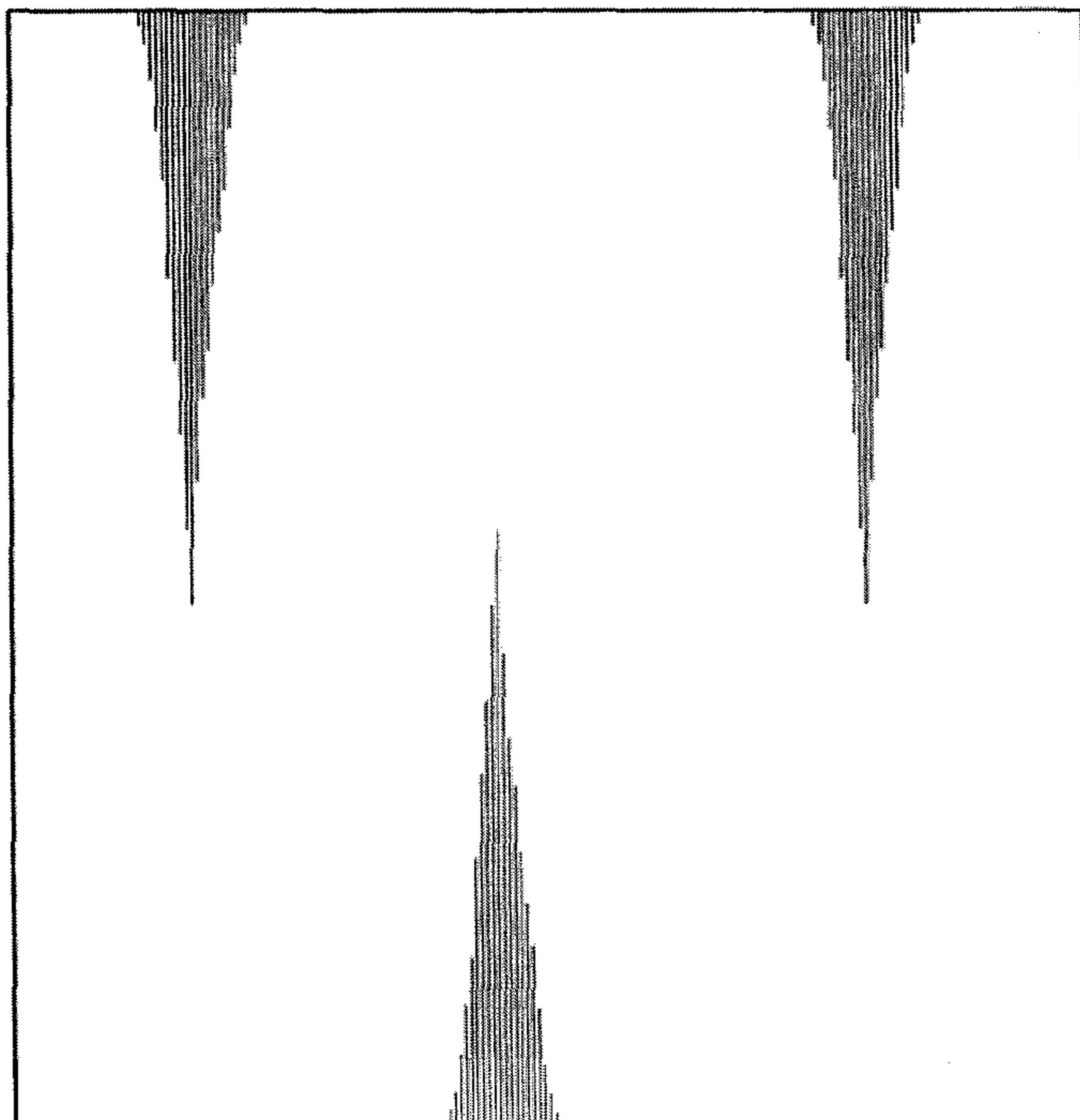


Fig. 5

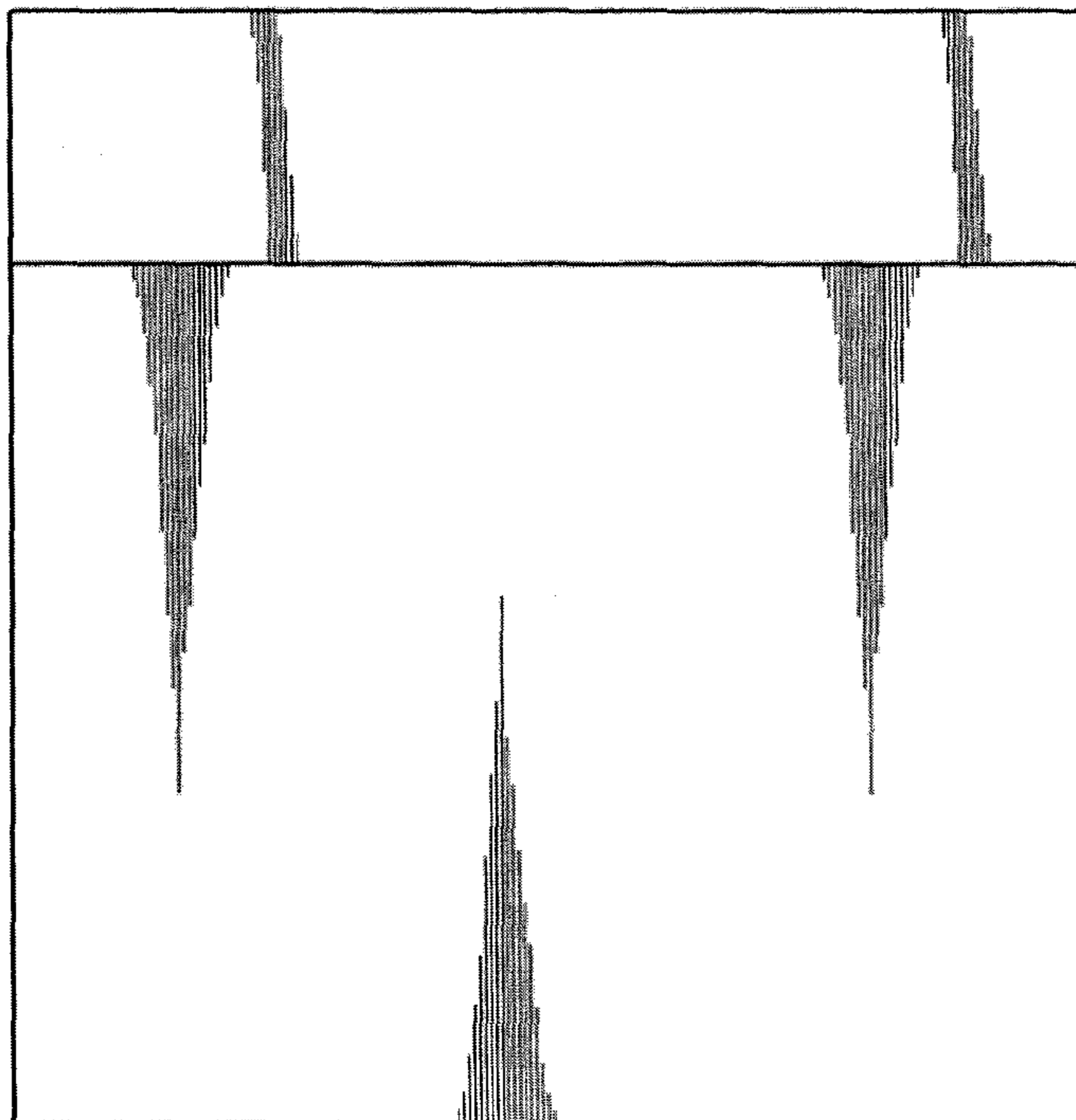


Fig. 6

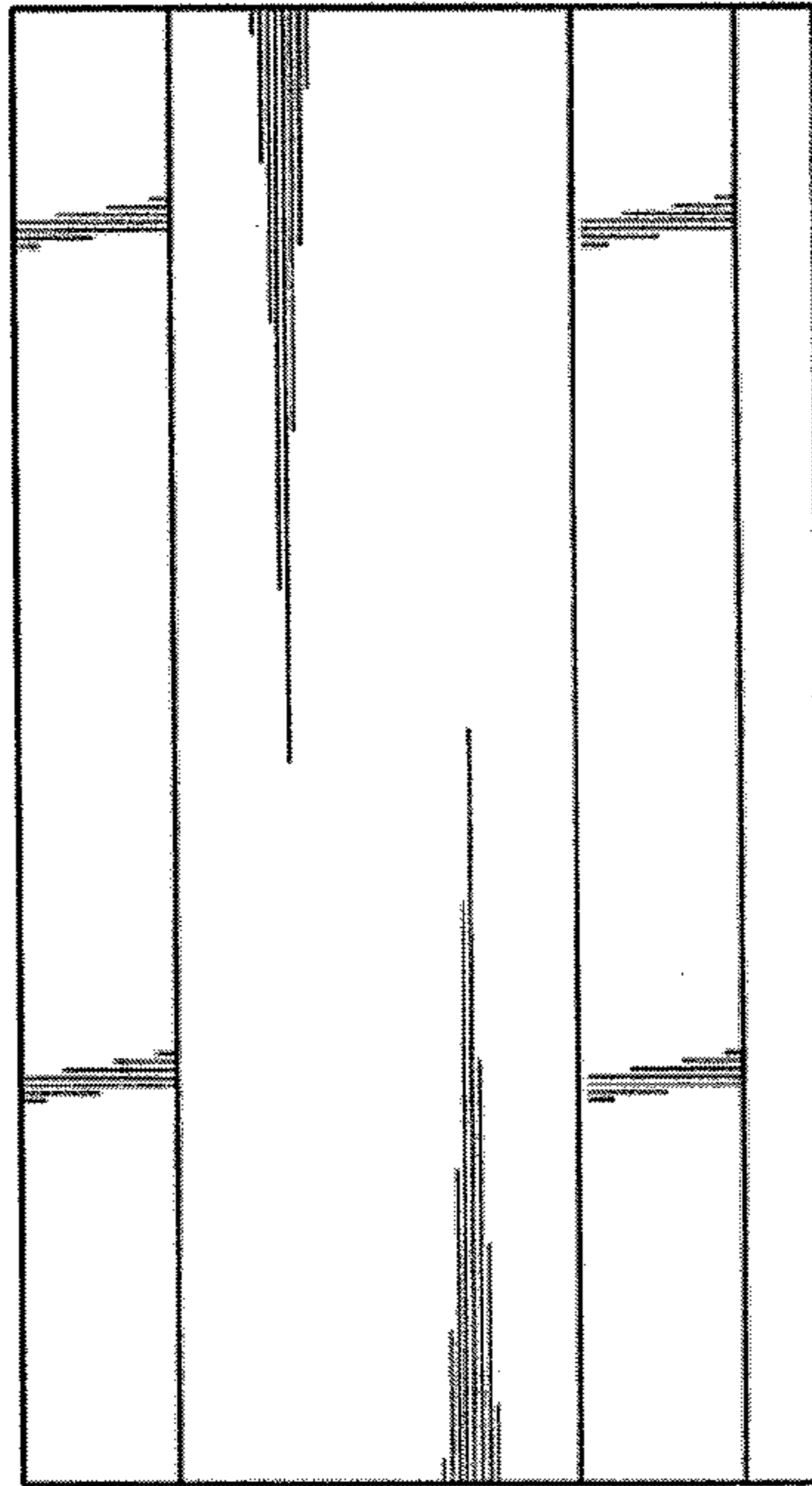


Fig. 7

