

US00D664262S

(12) **United States Design Patent**
Khan

(10) **Patent No.:** **US D664,262 S**
(45) **Date of Patent:** **** Jul. 24, 2012**

(54) **IMPELLER ARRANGEMENT FOR FERMENTER**

(75) Inventor: **Mohsan Khan**, Hertfordshire (GB)

(73) Assignee: **Lonza AG** (CH)

(**) Term: **14 Years**

(21) Appl. No.: **29/388,105**

(22) Filed: **Mar. 24, 2011**

(30) **Foreign Application Priority Data**

Sep. 24, 2010 (EM) 001238208-0001

(51) **LOC (9) Cl.** **24-01**

(52) **U.S. Cl.** **D24/220; D15/29**

(58) **Field of Classification Search** D24/220,
D24/216, 232, 107; D15/10, 11, 21, 28,
D15/29, 138, 147; D7/412, 376, 378, 384;
416/223 R, 228, 231 A; 366/343; 29/889;
435/325, 286.7, 289.1, 290.2, 291.5, 291.6

See application file for complete search history.

(56) **References Cited**

U.S. PATENT DOCUMENTS

2,250,142	A *	7/1941	Umstead	248/660
2,552,057	A *	5/1951	Paik	416/119
2,793,166	A *	5/1957	Hatch	435/289.1
4,193,702	A *	3/1980	Davis	366/343
D255,451	S *	6/1980	Herbst et al.	D15/138
D260,397	S *	8/1981	Bartlett et al.	D15/11
D267,405	S *	12/1982	Wilson	D15/21
4,396,291	A *	8/1983	Simmonds	366/282
D290,395	S *	6/1987	Stevens et al.	D24/220
5,046,245	A *	9/1991	Weetman et al.	29/889.7
5,057,284	A *	10/1991	Emmett et al.	422/225
D322,322	S *	12/1991	Markle et al.	D24/220
5,075,234	A *	12/1991	Tunac	435/301.1
D328,905	S *	8/1992	Triano	D15/138
5,326,168	A *	7/1994	Miura	366/343
5,972,661	A *	10/1999	Kubera et al.	435/104
6,250,797	B1 *	6/2001	Weetman	366/270
6,334,705	B1 *	1/2002	Weetman	366/330.1
6,395,516	B1 *	5/2002	Nienow et al.	435/91.1
6,464,384	B2 *	10/2002	Kubera et al.	366/102

6,572,262	B1 *	6/2003	Russel-Smith	366/348
6,612,733	B2 *	9/2003	Schmidt et al.	366/310
6,866,414	B2 *	3/2005	Kupidlowski	366/330.3
D523,028	S *	6/2006	Fitzpatrick	D15/29
7,114,844	B2 *	10/2006	Weetman	366/328.3
D566,143	S *	4/2008	Rosso et al.	D15/138
D571,479	S *	6/2008	Wagner	D24/220
D571,927	S *	6/2008	Wagner	D24/220
D576,186	S *	9/2008	Rosso et al.	D15/138
D596,309	S *	7/2009	Tien et al.	D24/220
D601,850	S *	10/2009	Ikuta	D7/412
7,682,067	B2 *	3/2010	West et al.	366/331
7,887,230	B2 *	2/2011	Rosso et al.	366/129
2001/0055237	A1 *	12/2001	Kubera et al.	366/102
2003/0107950	A1 *	6/2003	Shepherd et al.	366/317
2005/0239199	A1 *	10/2005	Kunas et al.	435/297.1
2007/0065927	A1 *	3/2007	Brahmbhatt	435/101
2008/0206847	A1 *	8/2008	Kunas et al.	435/287.1
2009/0134173	A1 *	5/2009	Liang et al.	220/563
2009/0311776	A1 *	12/2009	Kelly et al.	435/289.1
2010/0028990	A1 *	2/2010	Broadley et al.	435/289.1

(Continued)

Primary Examiner — Mark Goodwin

(74) *Attorney, Agent, or Firm* — Ostrolenk Faber LLP

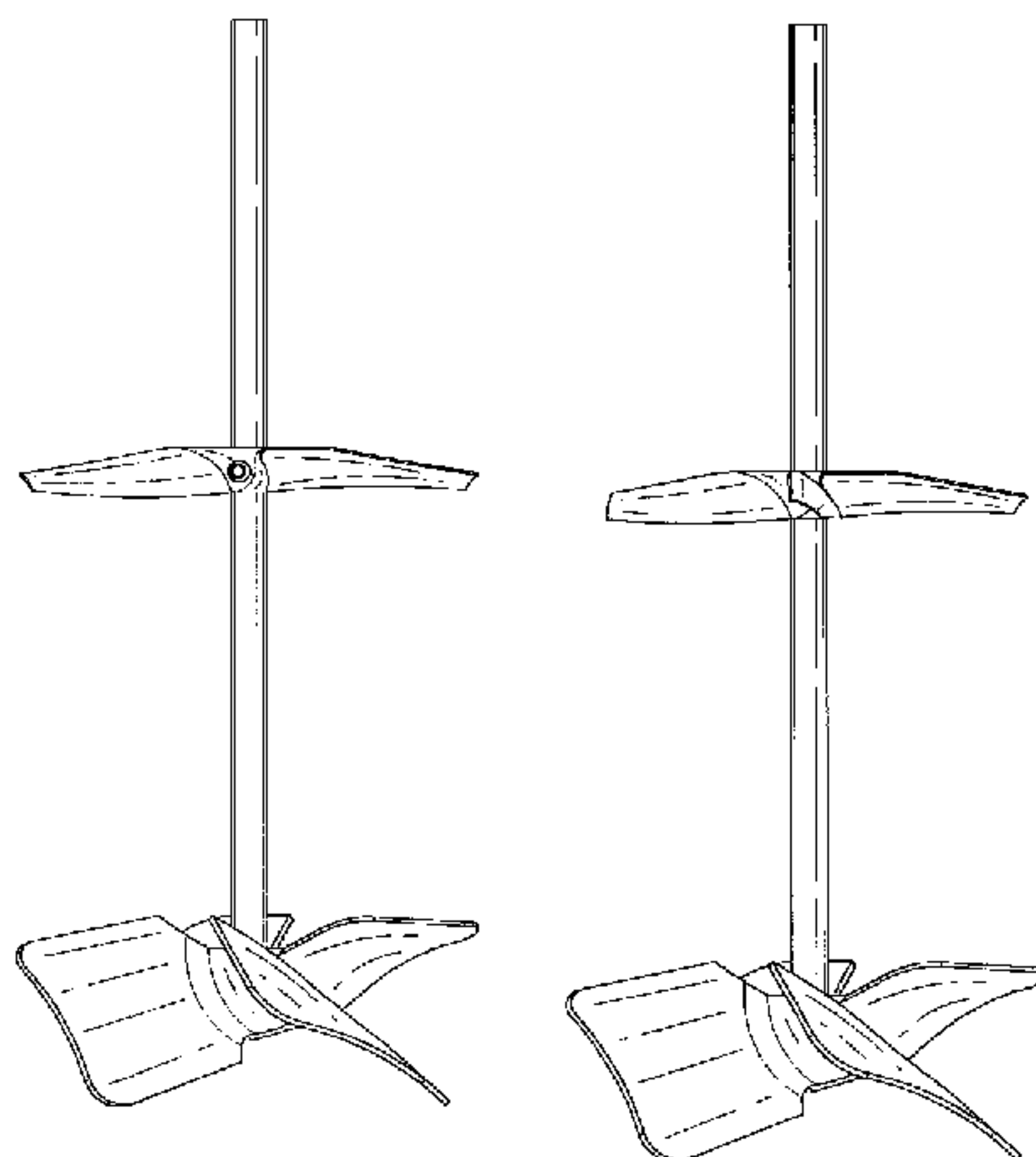
(57) **CLAIM**

The ornamental design for an impeller arrangement for fermenter, as shown and described.

DESCRIPTION

FIG. 1 is a front view of a first embodiment of an impeller arrangement for fermenter showing my new design;
FIG. 2 is a rear view thereof;
FIG. 3 is a right side view thereof;
FIG. 4 is a left side view thereof;
FIG. 5 is a top view thereof;
FIG. 6 is a bottom view;
FIG. 7 is a front view of a second embodiment of an impeller arrangement for a fermenter showing my new design;
FIG. 8 is a rear view thereof;
FIG. 9 is a right side view thereof;
FIG. 10 is a left side view thereof;
FIG. 11 is a top view thereof; and,
FIG. 12 is a bottom view thereof.

1 Claim, 12 Drawing Sheets



US D664,262 S

Page 2

U.S. PATENT DOCUMENTS

2010/0034050	A1*	2/2010	Erb et al.	366/342	2011/0188928	A1*	8/2011	West et al.	403/291
2010/0035343	A1*	2/2010	Cheng et al.	435/394	2011/0207218	A1*	8/2011	Staheli et al.	435/394
2010/0206079	A1*	8/2010	Vlahopoulou	73/599	2011/0310696	A1*	12/2011	Goodwin et al.	366/204
2011/0013474	A1*	1/2011	Ludwig et al.	366/102	2011/0312087	A1*	12/2011	Khan	435/325
2011/0117594	A1*	5/2011	Kunas et al.	435/29	2012/0045834	A1*	2/2012	Jones et al.	435/383

* cited by examiner

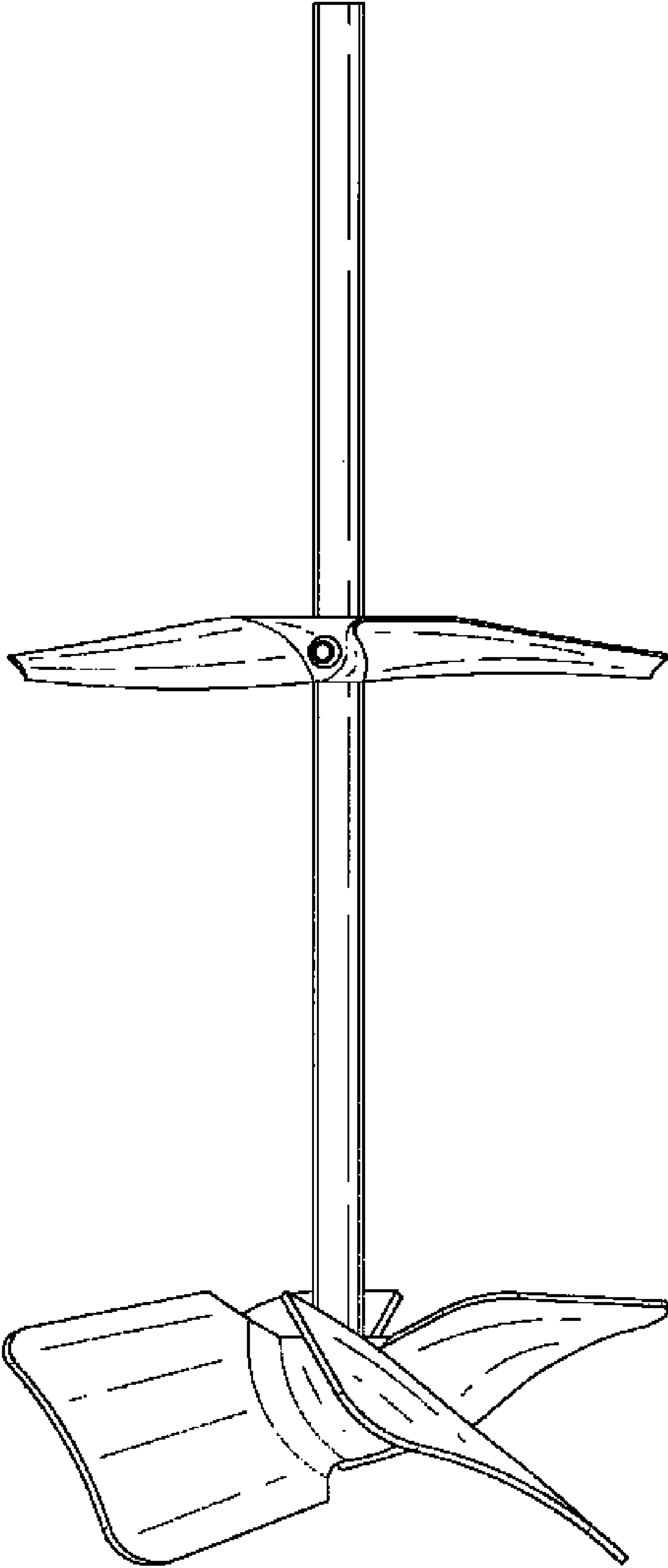


FIG. 1

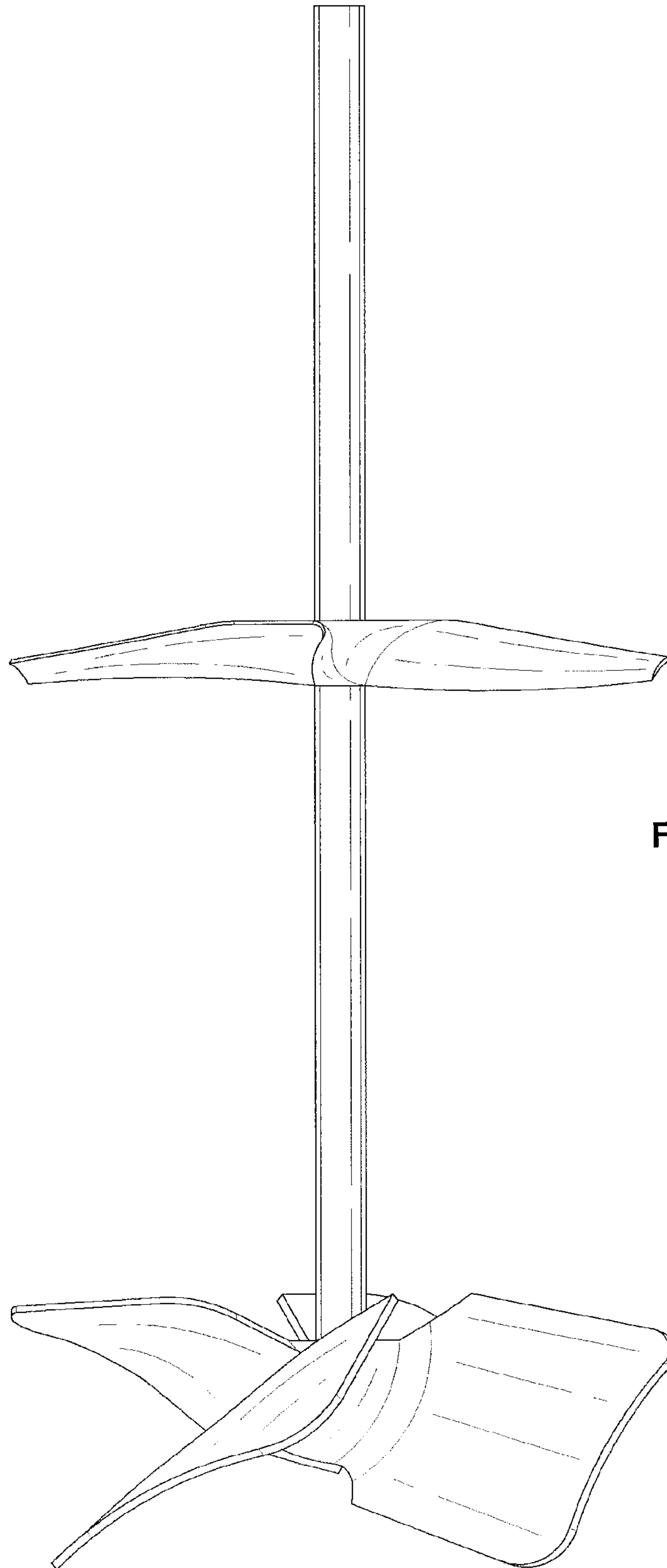


FIG. 2

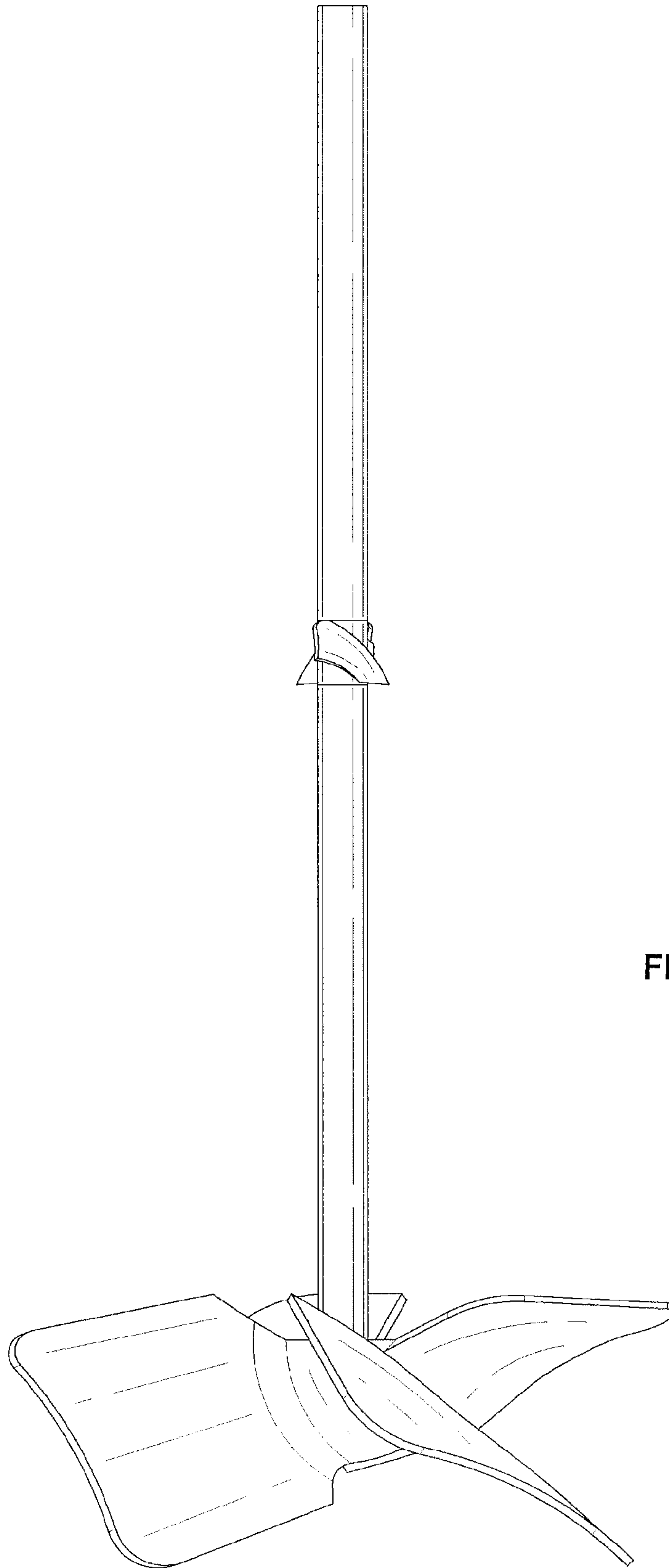


FIG. 3

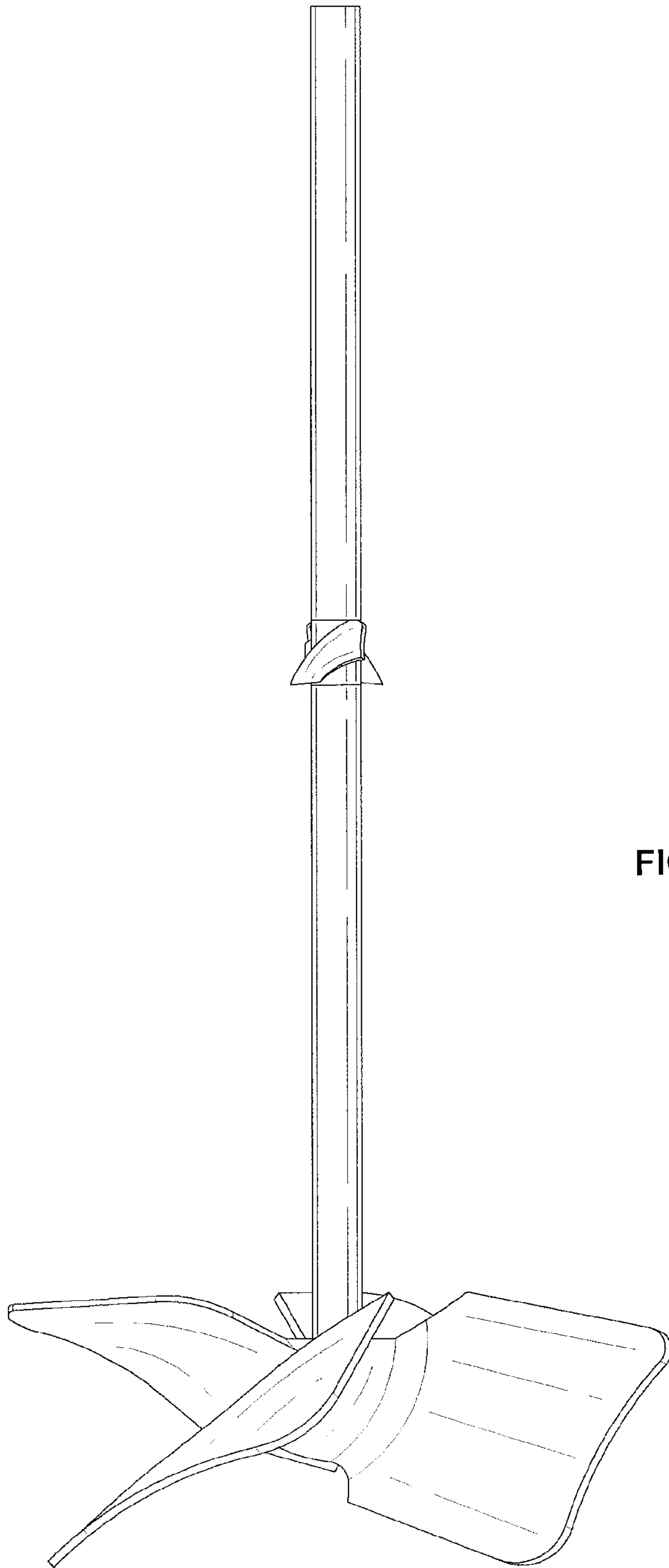


FIG. 4

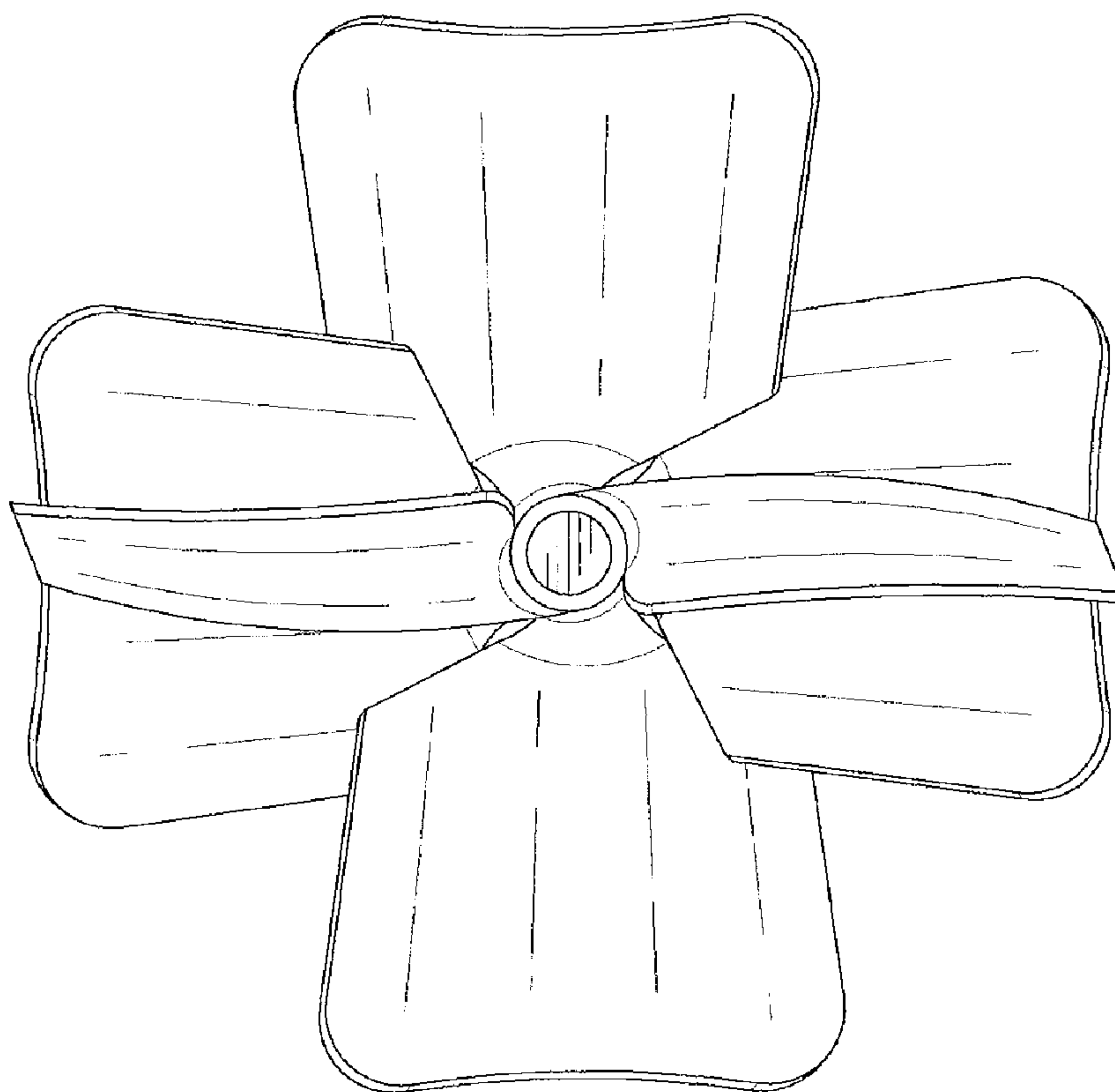


FIG. 5

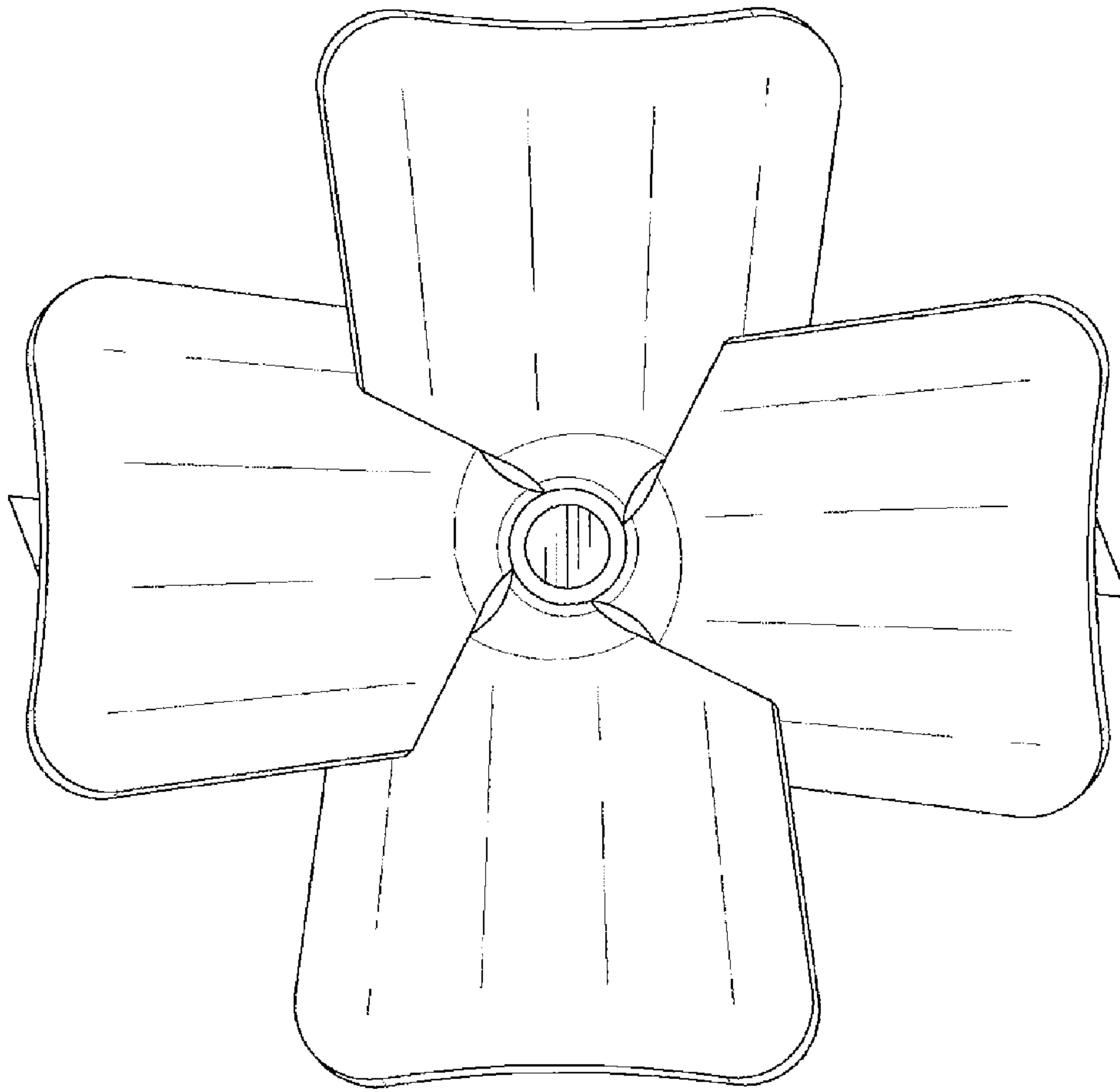


FIG. 6

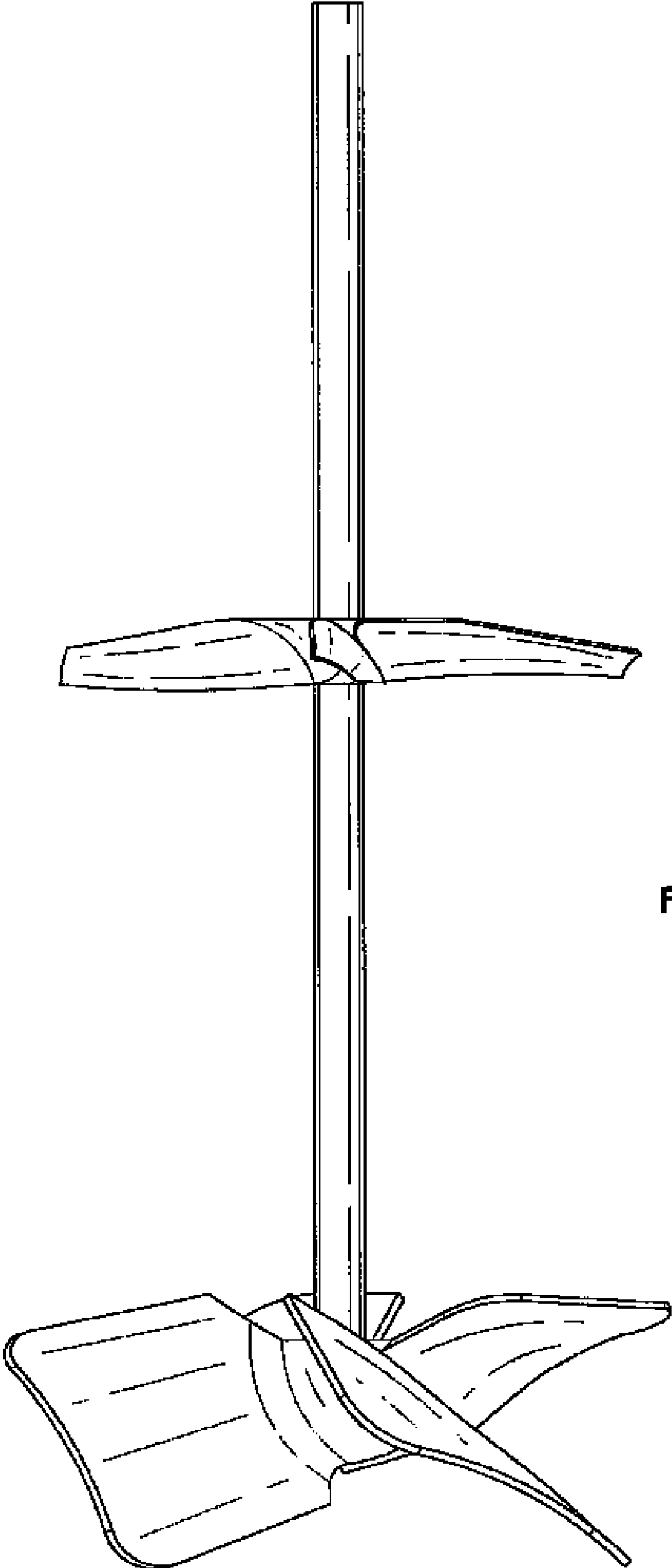


FIG. 7

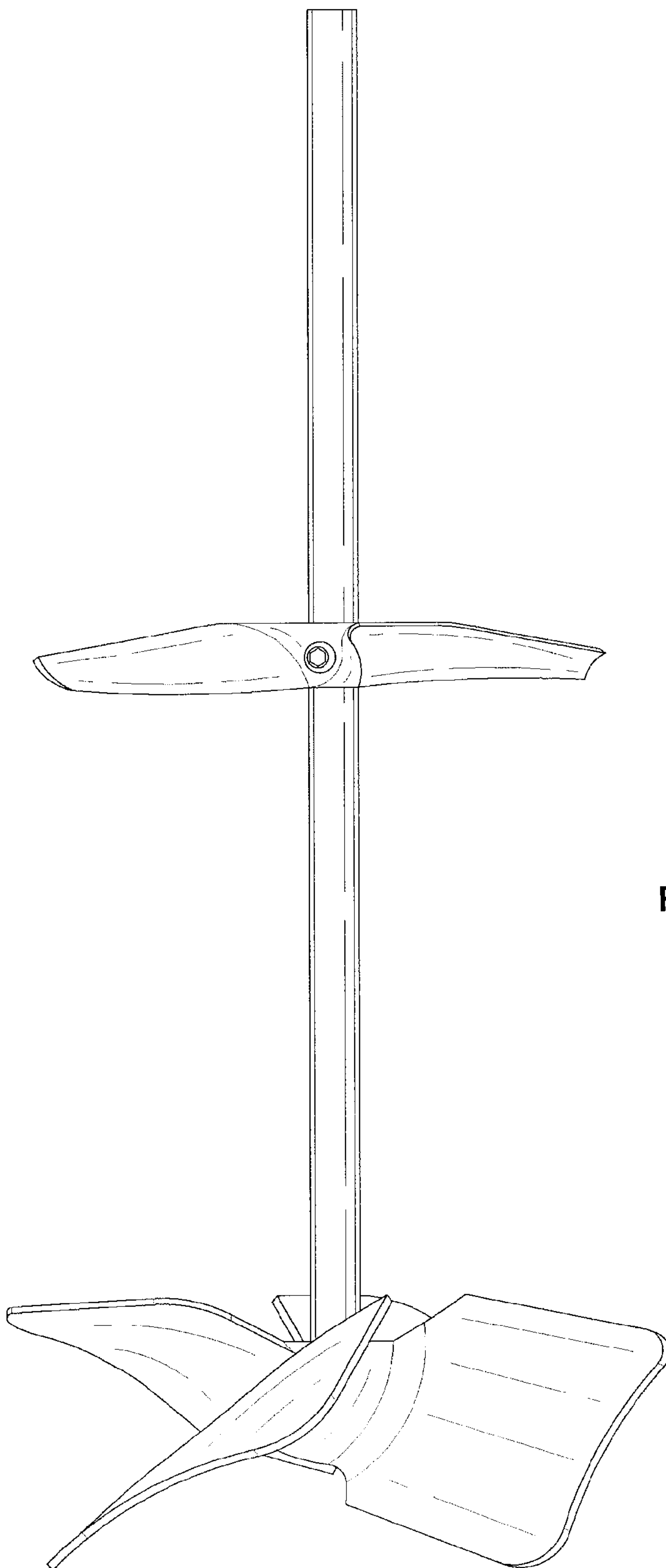


FIG. 8

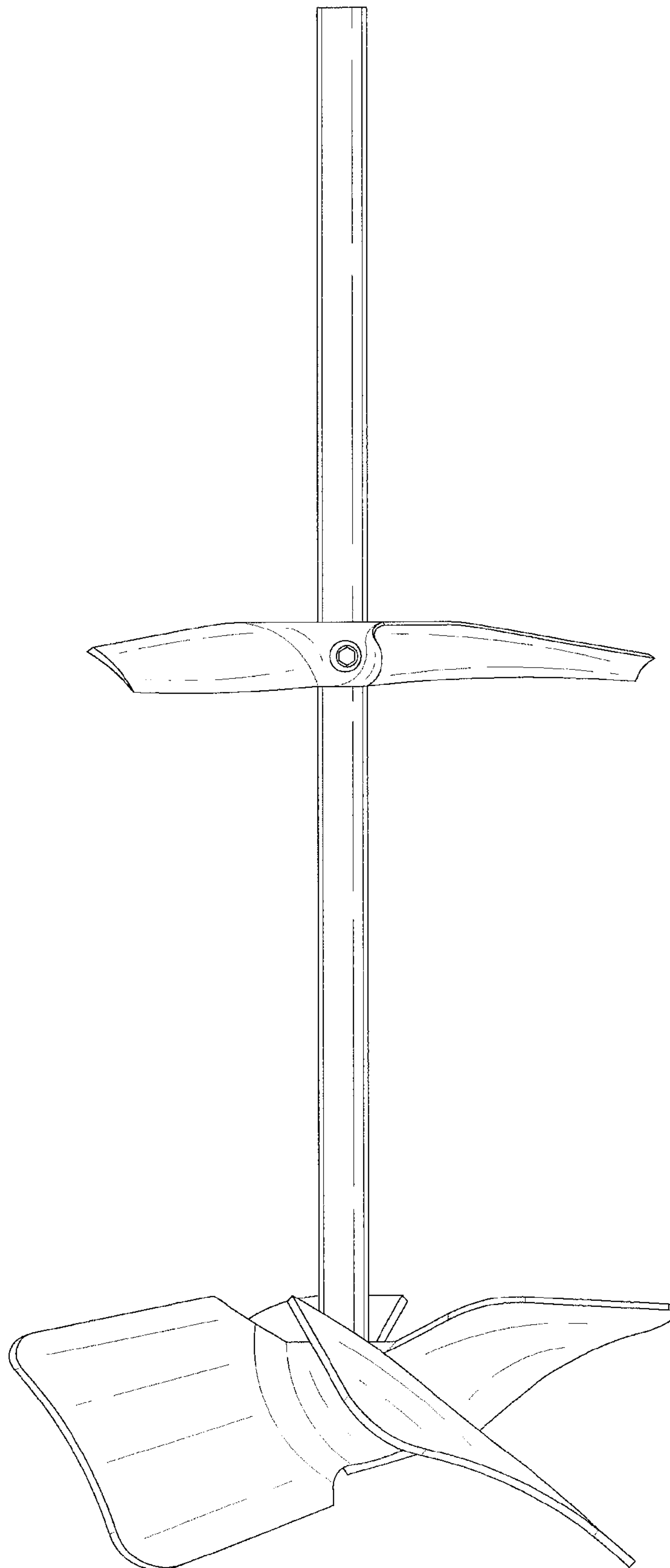


FIG. 9

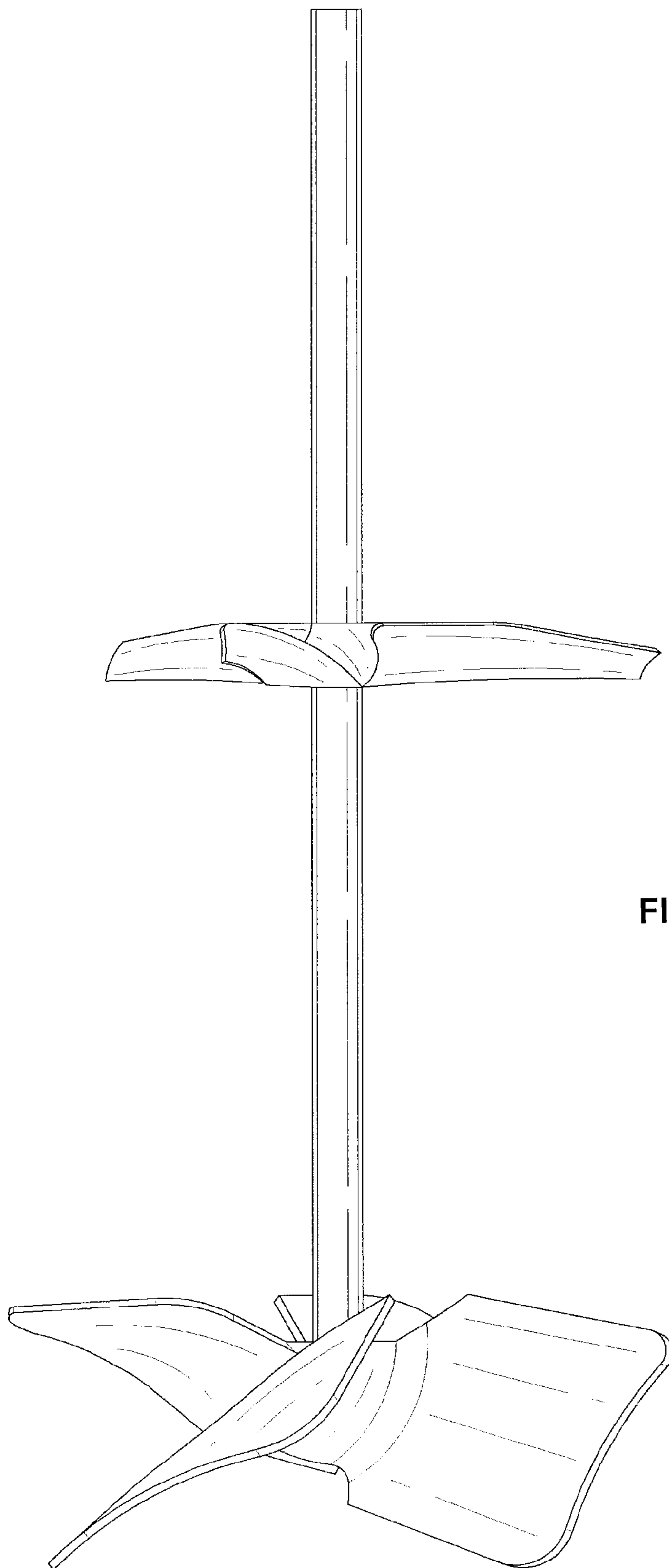


FIG. 10

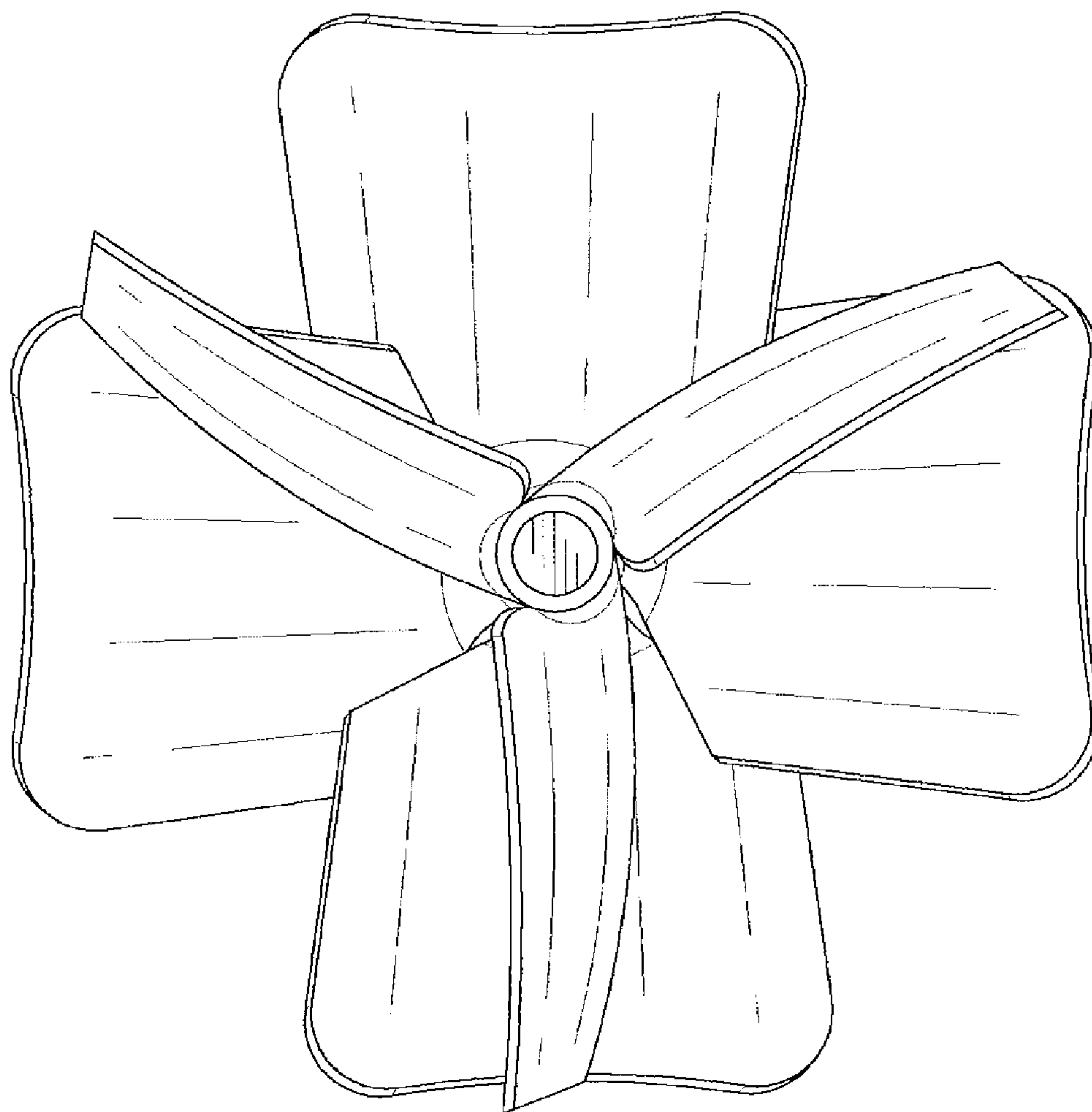


FIG. 11

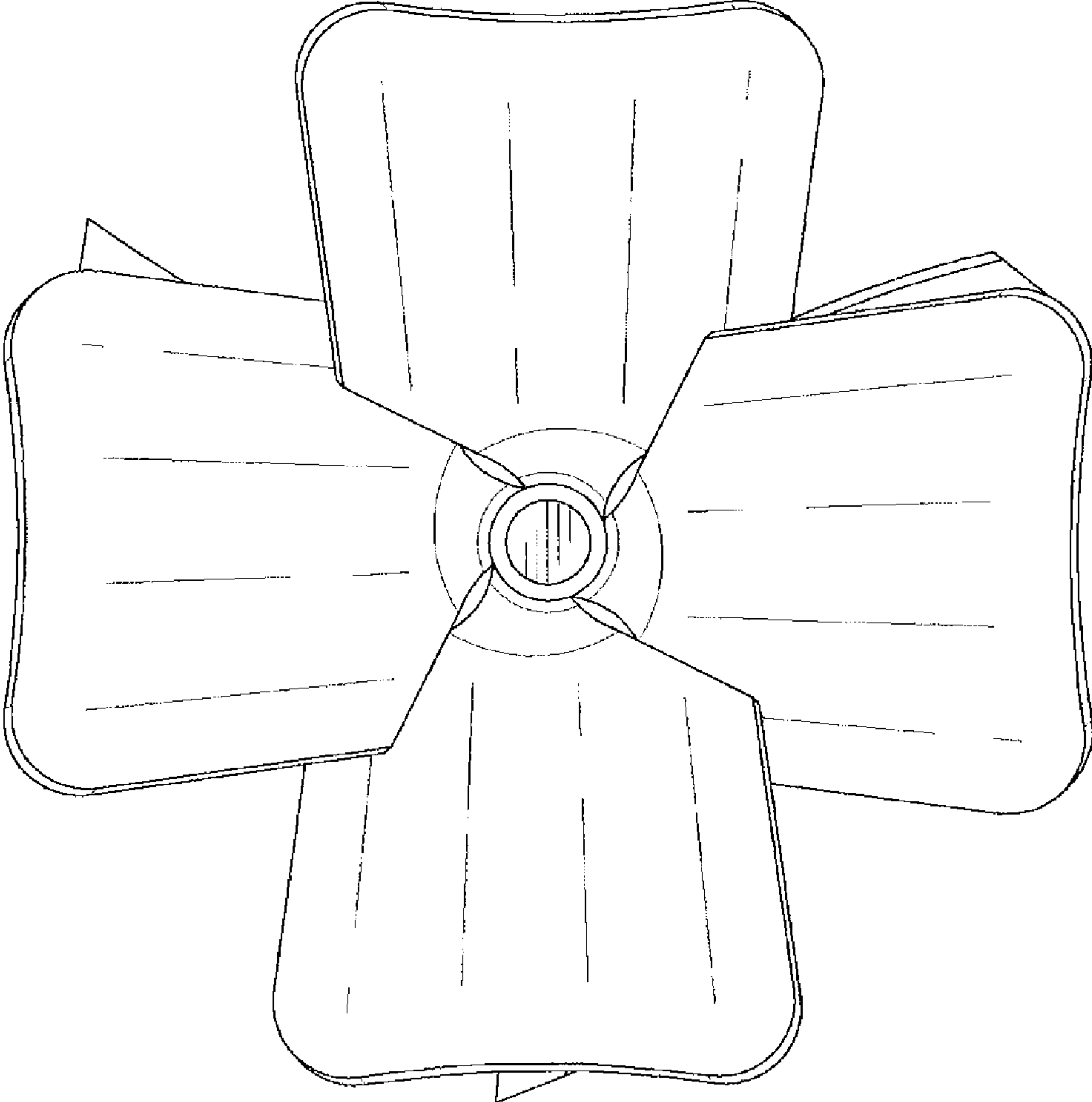


FIG. 12