



US00D664256S

(12) **United States Design Patent**  
**Dennewald**

(10) **Patent No.:** **US D664,256 S**

(45) **Date of Patent:** **\*\* \*Jul. 24, 2012**

(54) **ORTHOTIC DEVICE**

(76) Inventor: **Adrian Dennewald**, Sydney (AU)

(\*) Notice: This patent is subject to a terminal disclaimer.

(\*\*) Term: **14 Years**

(21) Appl. No.: **29/377,954**

(22) Filed: **Mar. 21, 2011**

(51) **LOC (9) Cl.** ..... **24-01**

(52) **U.S. Cl.** ..... **D24/183**

(58) **Field of Classification Search** ..... D24/183-184,  
D24/191, 200; D6/501, 601, 604, 595, 596,  
D6/599, 609; 5/630, 631, 633, 636, 637,  
5/640, 652-655; 128/845, 869; 52/287.1;  
D25/119, 136

See application file for complete search history.

(56) **References Cited**

**U.S. PATENT DOCUMENTS**

D254,029 S *	1/1980	Barbagallo	.....	D24/183
D276,938 S *	12/1984	Pedersen	.....	D24/183
D370,821 S *	6/1996	Mata	.....	D6/596
5,819,485 A *	10/1998	Lane et al.	.....	52/287.1
D400,386 S *	11/1998	Keilhauer	.....	D6/601
D400,387 S *	11/1998	Denney	.....	D6/601
D410,744 S *	6/1999	Banister	.....	D24/183
D447,253 S *	8/2001	Gardner	.....	D25/136
D447,577 S *	9/2001	Gardner	.....	D25/119

D454,180 S *	3/2002	Wessels	.....	D25/119
D486,247 S *	2/2004	Eichner et al.	.....	D25/136
D499,816 S *	12/2004	Eichner et al.	.....	D25/119
D510,631 S *	10/2005	Hsu	.....	D25/119
D521,301 S *	5/2006	Dickson	.....	D6/601
D531,315 S *	10/2006	Caudra	.....	D24/183
D555,408 S *	11/2007	Keilhauer	.....	D6/601
D573,830 S *	7/2008	Kalatsky	.....	D6/601
D595,527 S *	7/2009	Carter	.....	D6/601
D597,743 S *	8/2009	Skinner	.....	D25/119
D618,354 S *	6/2010	Francucci et al.	.....	D24/183
D619,404 S *	7/2010	Castillo	.....	D6/609
D635,265 S *	3/2011	Coffey et al.	.....	D24/183
D637,030 S *	5/2011	Khandai	.....	D6/601
D638,646 S *	5/2011	Penza	.....	D6/601

\* cited by examiner

*Primary Examiner* — T. Chase Nelson

*Assistant Examiner* — Mark Cavanna

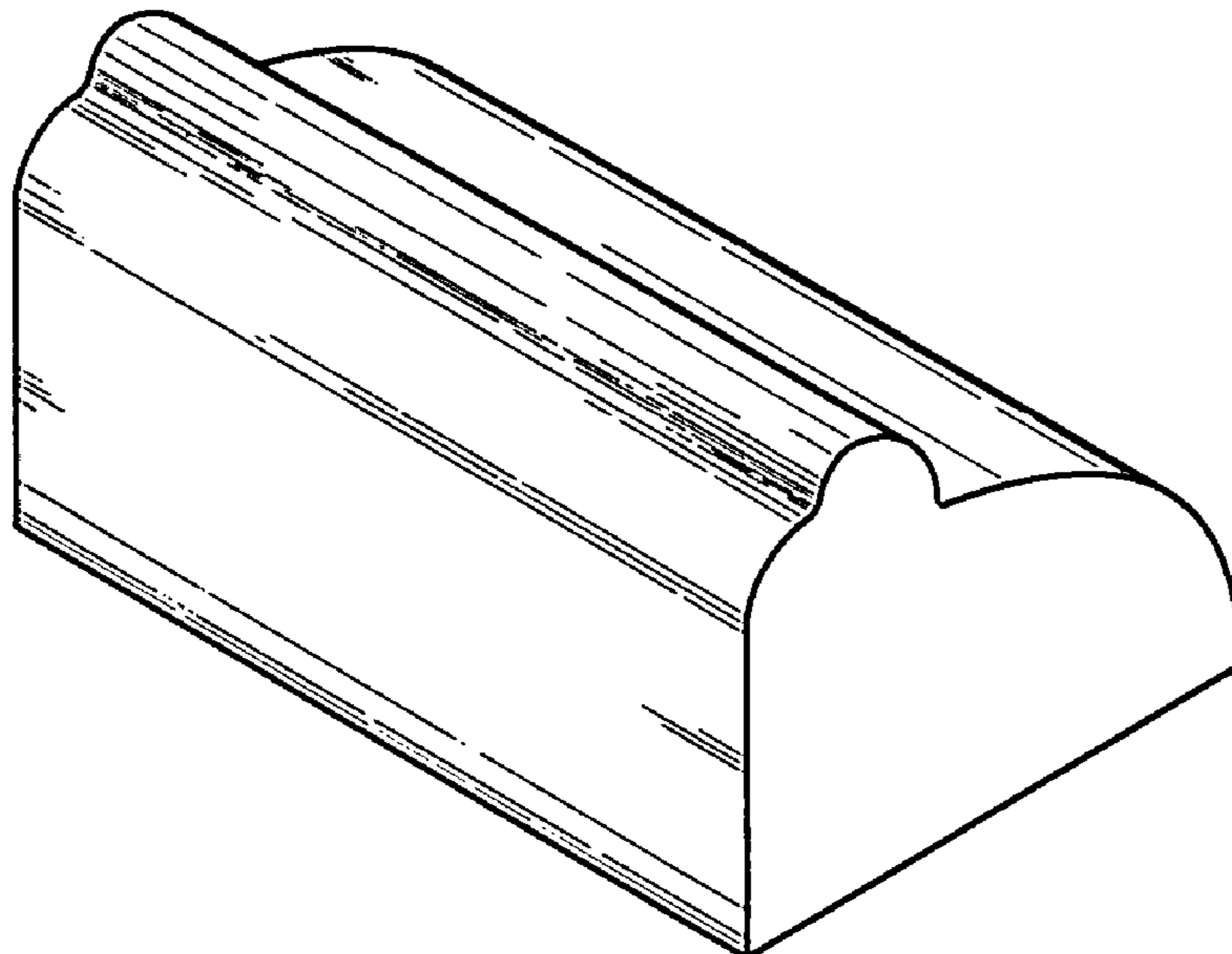
(57) **CLAIM**

The ornamental design for an orthotic device, as shown and described.

**DESCRIPTION**

FIG. 1 is an isometric view of an orthotic device showing my new design;  
FIG. 2 is another isometric view thereof;  
FIG. 3 is top plan view thereof; and,  
FIG. 4 is a side view with the opposite side being a mirror image thereof.

**1 Claim, 1 Drawing Sheet**



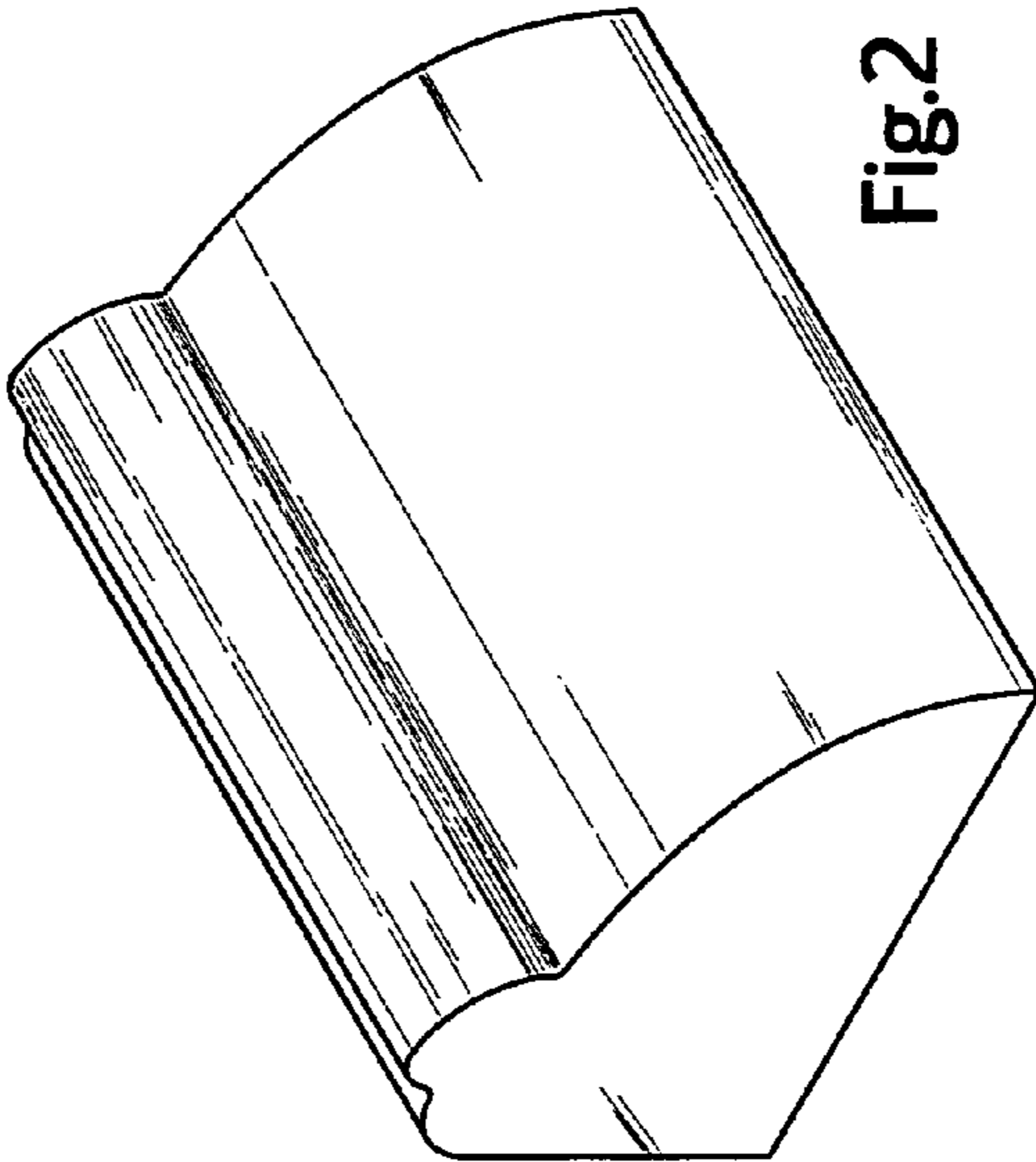


Fig. 2

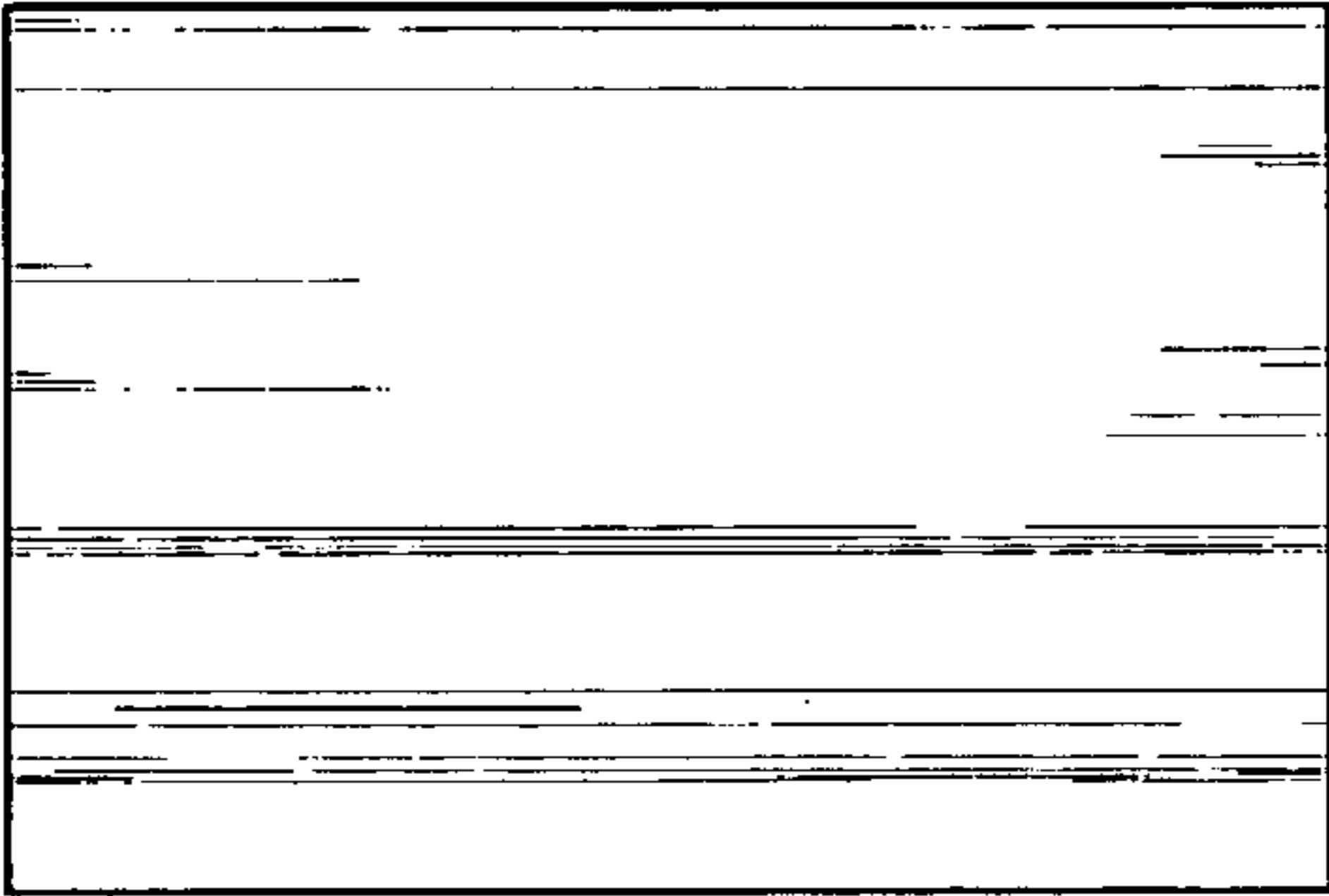


Fig. 3



Fig. 4

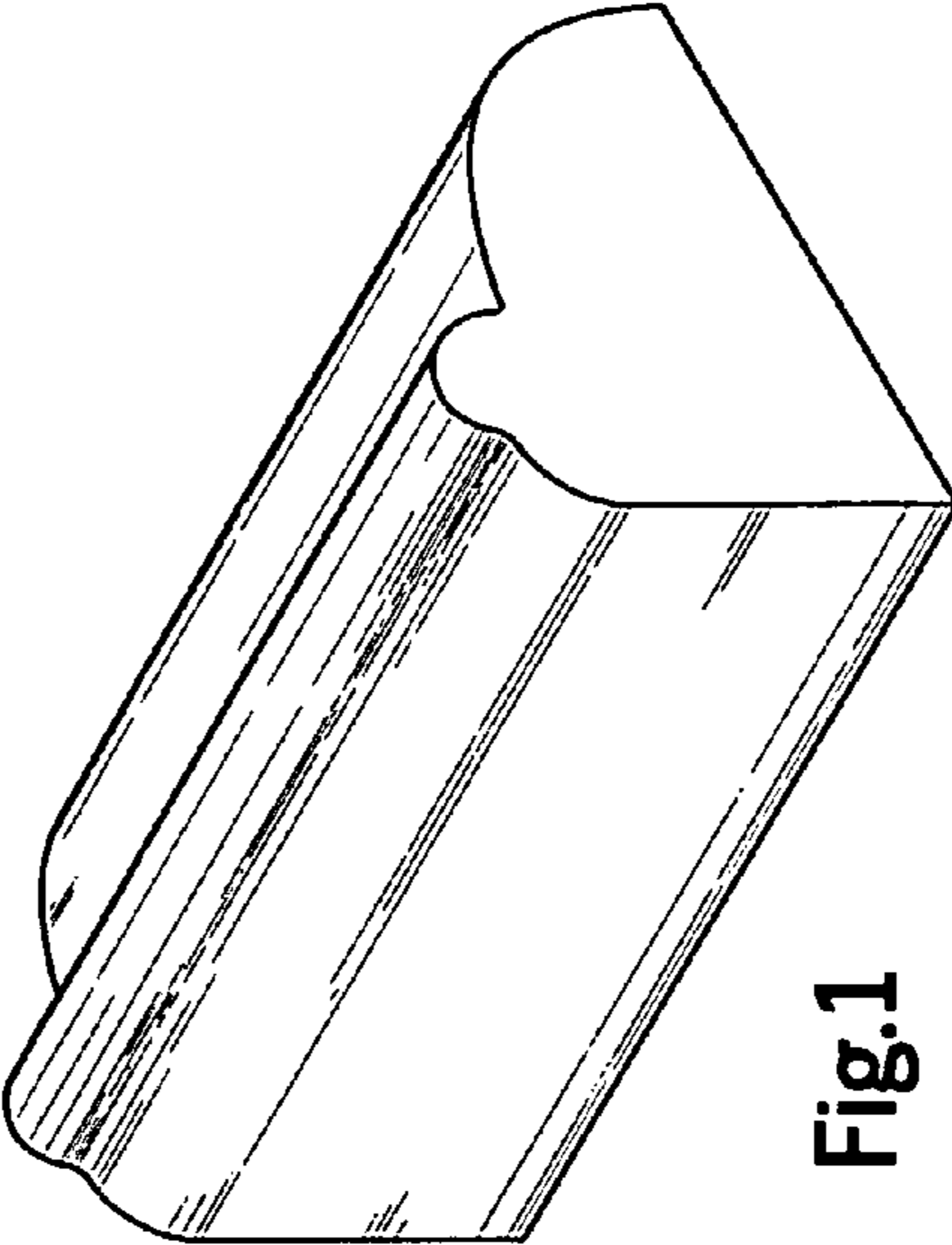


Fig. 1