



US00D664255S

(12) **United States Design Patent**
Hickey et al.

(10) **Patent No.:** **US D664,255 S**
(45) **Date of Patent:** **** Jul. 24, 2012**

(54) **PERITONEAL DIALYSIS MACHINE**

(75) Inventors: **Katherine M. Hickey**, Manchester, NH (US); **Jacob W. Scarpaci**, Manchester, NH (US); **David J. Hibbard**, Bedford, NH (US); **James D. Dale**, Nashua, NH (US); **Jason A. Demers**, Manchester, NH (US)

(73) Assignee: **DEKA Products Limited Partnership**, Manchester, NH (US)

(**) Term: **14 Years**

(21) Appl. No.: **29/388,289**

(22) Filed: **Mar. 28, 2011**

Related U.S. Application Data

(63) Continuation of application No. 29/331,326, filed on Jan. 23, 2009, now Pat. No. Des. 637,294, which is a continuation-in-part of application No. 29/319,077, filed on Jun. 3, 2008, now abandoned.

(51) **LOC (9) Cl.** **24-01**

(52) **U.S. Cl.** **D24/169**

(58) **Field of Classification Search** D24/165-169, D24/186, 107, 231, 232; D10/81; 210/252, 210/253, 321.65, 321.75, 645, 646; 435/286.5, 435/297.1, 297.2; 604/28, 29, 65, 131
See application file for complete search history.

(56) **References Cited**

U.S. PATENT DOCUMENTS

- D308,249 S 5/1990 Buckley
- D320,079 S 9/1991 Kida
- D341,890 S 11/1993 Sievert et al.
- D344,339 S 2/1994 Yoshikawa et al.
- 5,350,357 A 9/1994 Kamen et al.
- D351,469 S 10/1994 Okamoto et al.
- D351,470 S 10/1994 Scherer et al.
- D370,979 S 6/1996 Pascale et al.
- D381,748 S 7/1997 Matsuda et al.
- 6,070,761 A 6/2000 Bloom et al.
- D437,408 S 2/2001 Menzler et al.
- 6,210,361 B1 4/2001 Kamen et al.

- D452,564 S 12/2001 Micinski et al.
- 6,595,948 B2 7/2003 Suzuki et al.
- 7,153,286 B2 12/2006 Busby et al.
- 7,195,607 B2 3/2007 Westberg et al.
- D556,910 S 12/2007 Reihanifam et al.
- 7,559,913 B1 7/2009 Jeppsson et al.

(Continued)

FOREIGN PATENT DOCUMENTS

WO WO 2009/094182 A2 7/2009

(Continued)

OTHER PUBLICATIONS

From the Fresenius Medical Care web site: <http://www.fmc-ag.com/internet/fmc/fmcag/neu/fmcpub.nsf/Content/Photo+Gallery+Product+PD>.

Primary Examiner — Anhdao Doan

(74) *Attorney, Agent, or Firm* — Wolf, Greenfield & Sacks, P.C.

(57) **CLAIM**

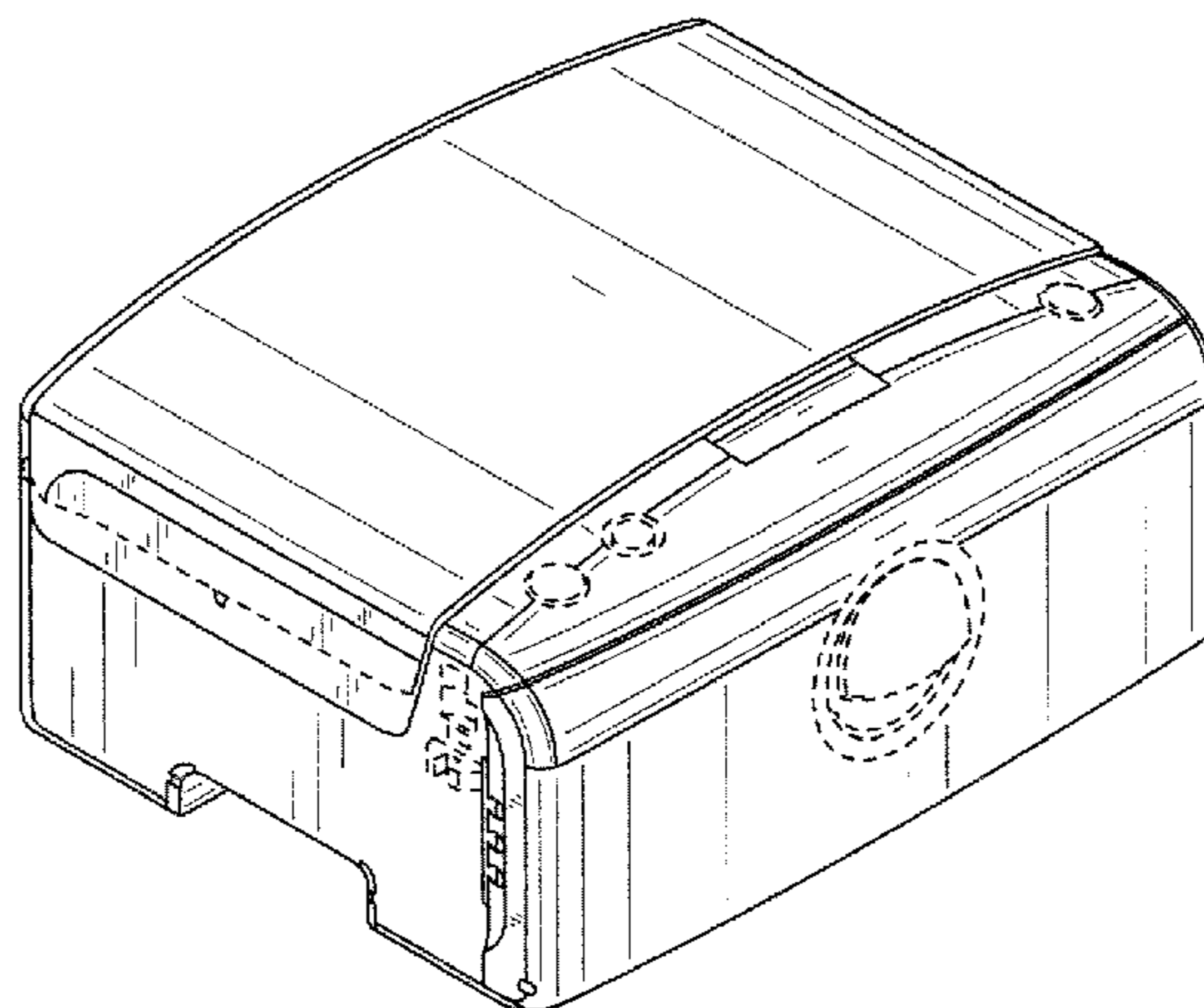
The ornamental design for a peritoneal dialysis machine, as shown and described.

DESCRIPTION

FIG. 1 is a left perspective view of the peritoneal dialysis machine;
FIG. 2 is a right perspective view thereof;
FIG. 3 is a front side view thereof;
FIG. 4 is a rear side view thereof;
FIG. 5 is a top side view thereof;
FIG. 6 is a left side view thereof;
FIG. 7 is a right side view thereof;
FIG. 8 is a left perspective view of a second embodiment of the peritoneal dialysis machine;
FIG. 9 is a right perspective view thereof;
FIG. 10 is a front side view thereof;
FIG. 11 is a rear side view thereof;
FIG. 12 is a top side view thereof;
FIG. 13 is a left side view thereof; and,
FIG. 14 is a right side view thereof.

The broken lines in the drawing views are included for the purpose of illustrating portions of the peritoneal dialysis machine that form no part of the claimed design.

1 Claim, 14 Drawing Sheets



US D664,255 S

Page 2

U.S. PATENT DOCUMENTS

7,632,080 B2 12/2009 Tracey et al.
7,736,328 B2 * 6/2010 Childers et al. 604/29
7,780,619 B2 * 8/2010 Brugger et al. 604/4.01
D627,470 S 11/2010 Hickey et al.

FOREIGN PATENT DOCUMENTS

WO WO 2009/094183 A1 7/2009
WO WO 2009/094185 A2 7/2009
WO WO 2009/094186 A2 7/2009
* cited by examiner

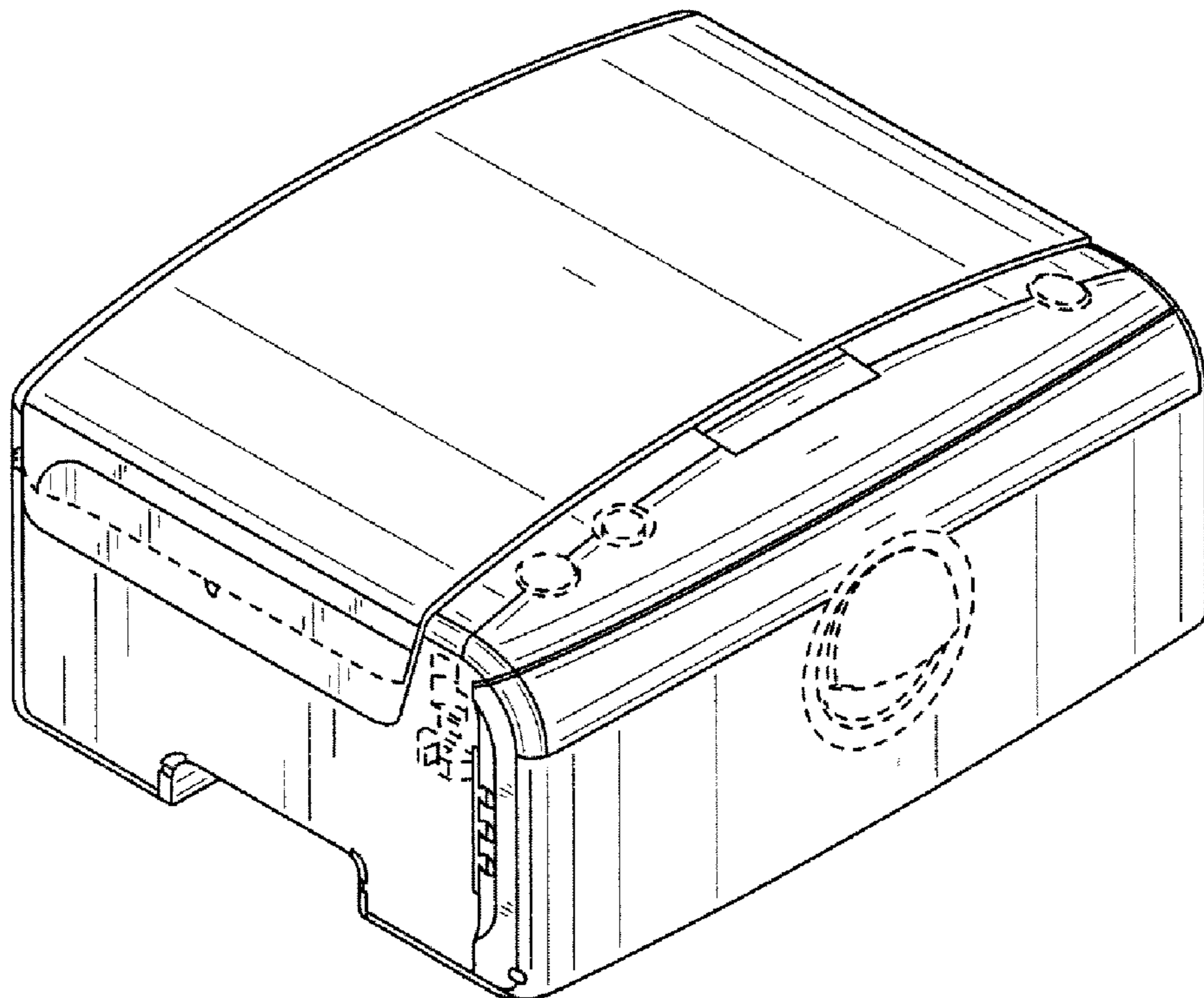


FIG. 1

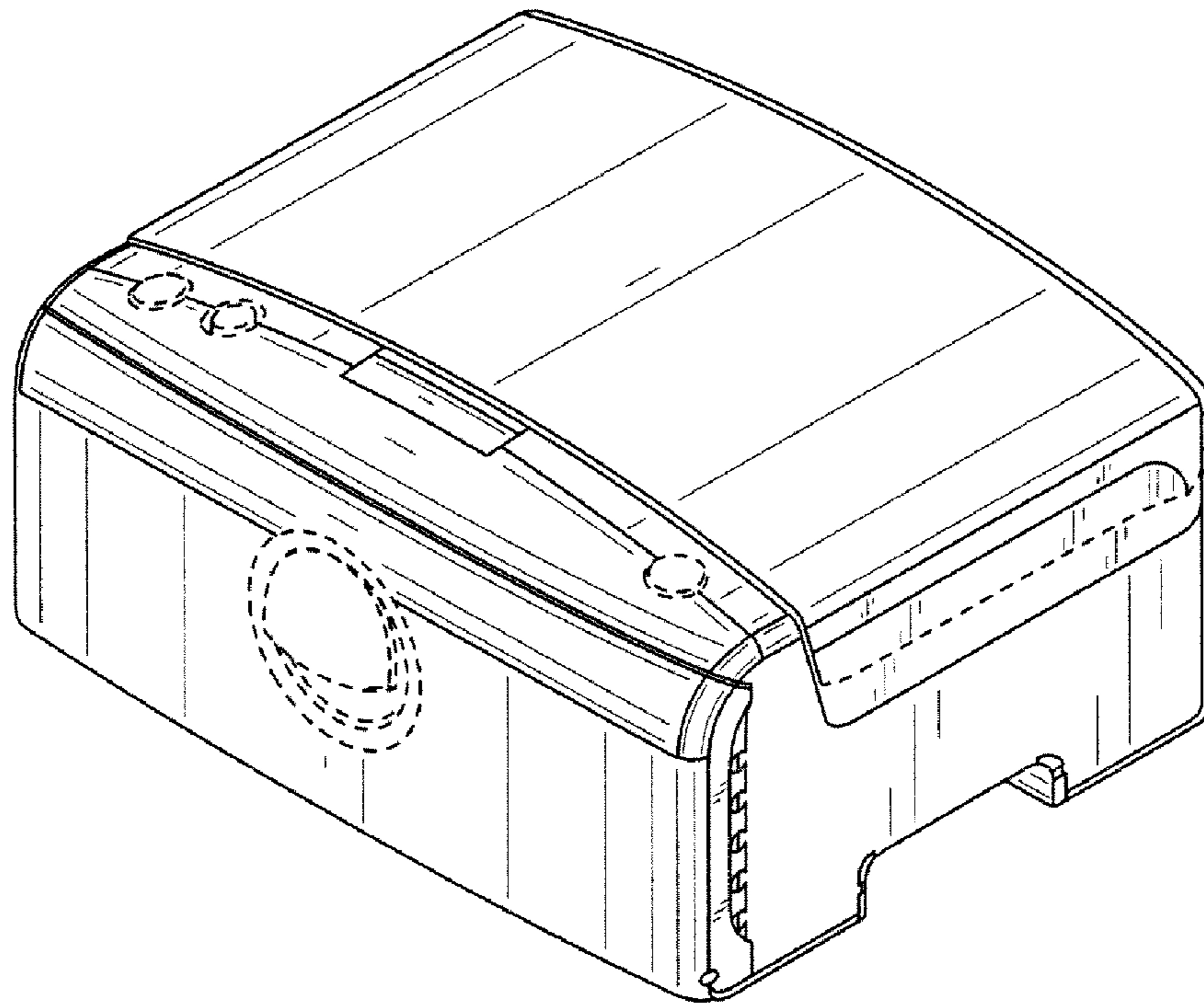


FIG. 2

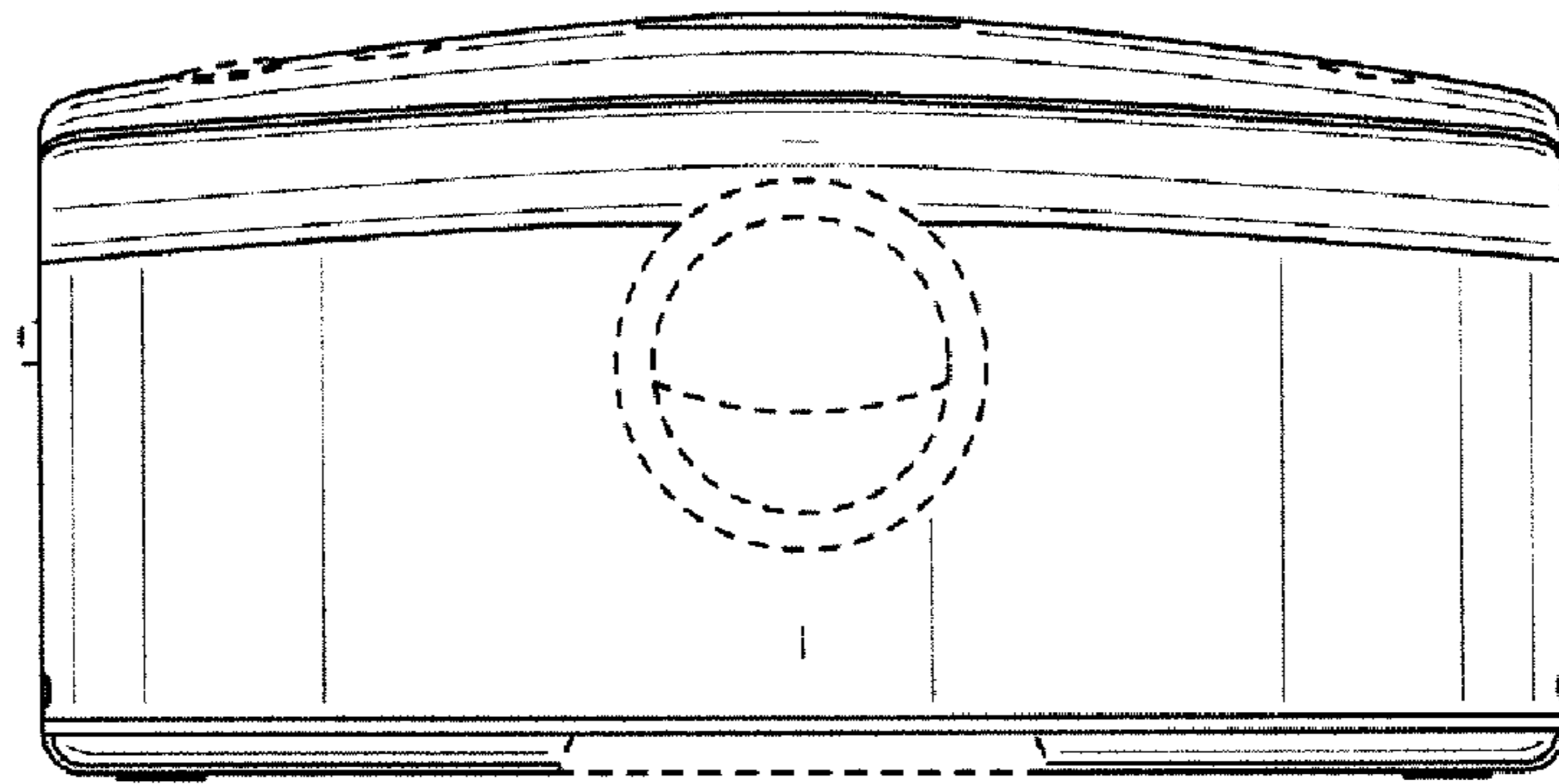


FIG. 3

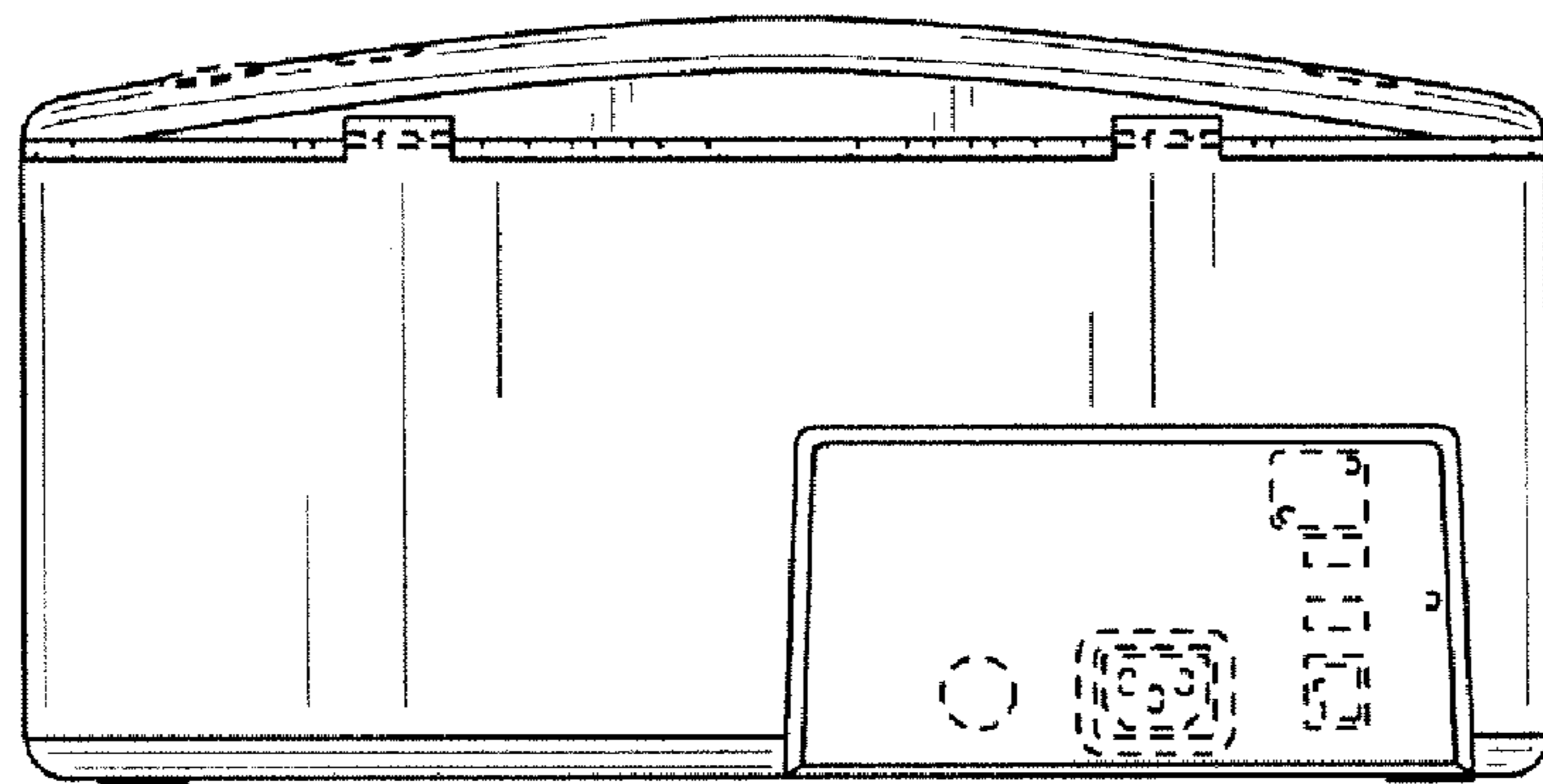


FIG. 4

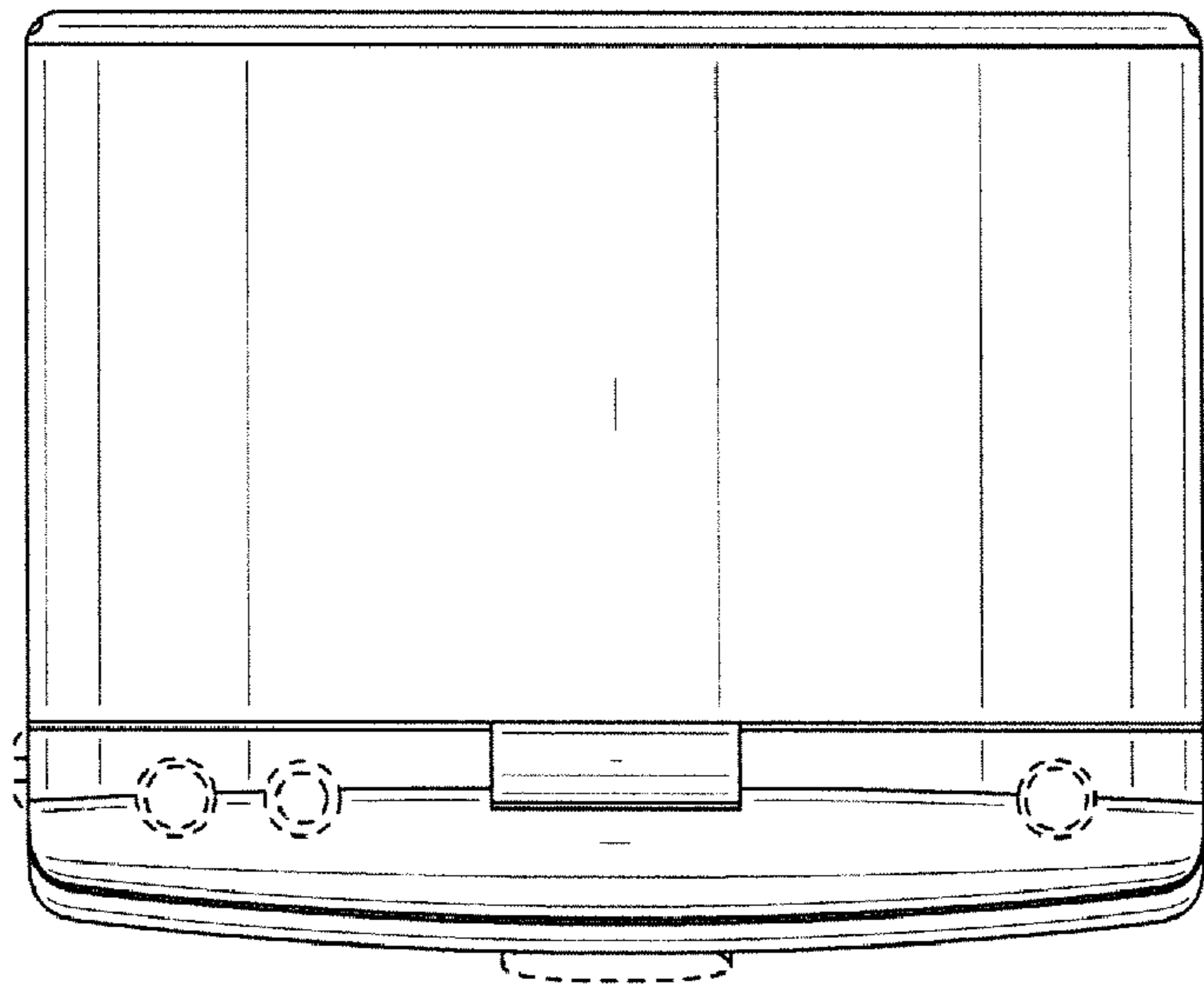


FIG. 5

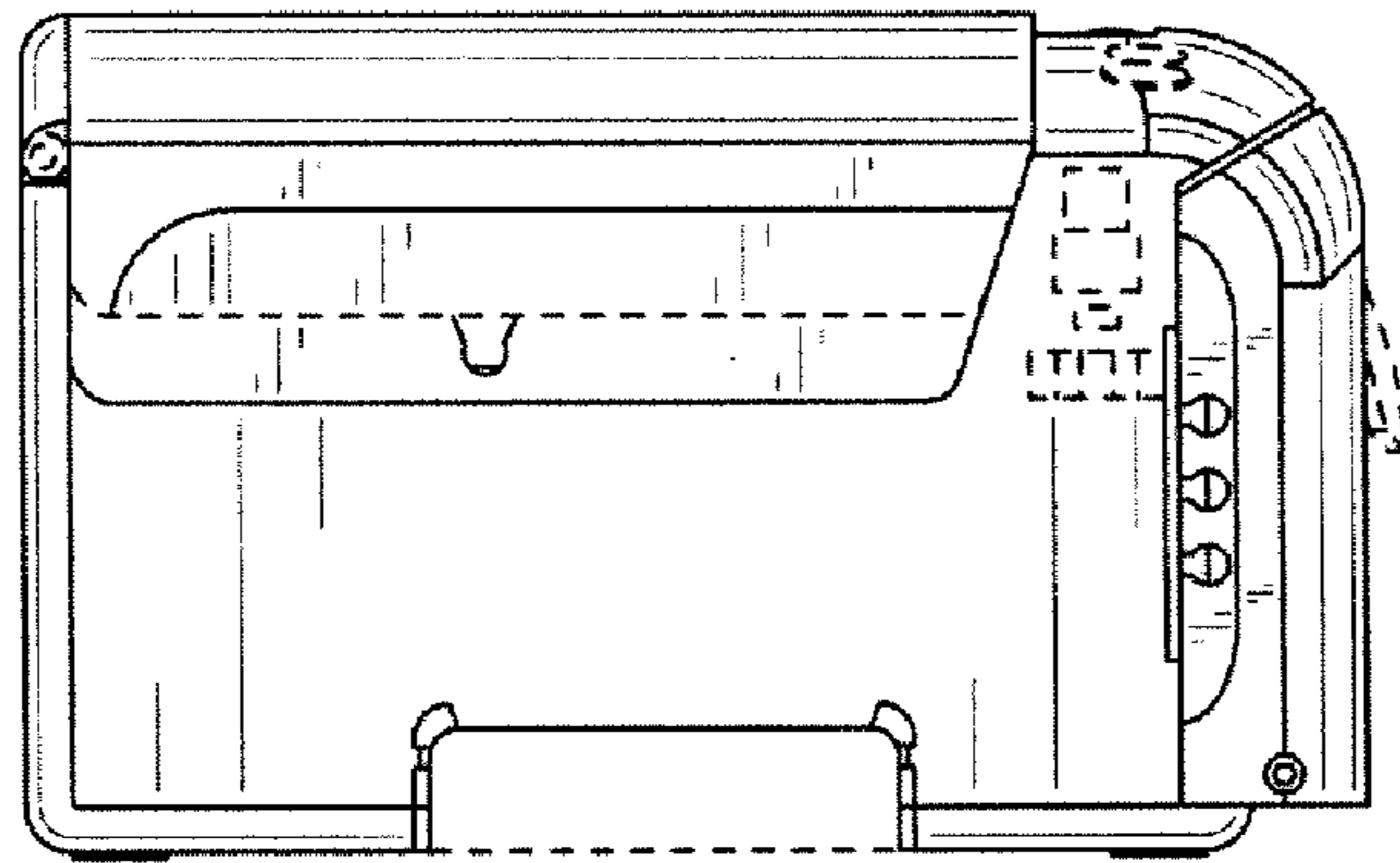


FIG. 6

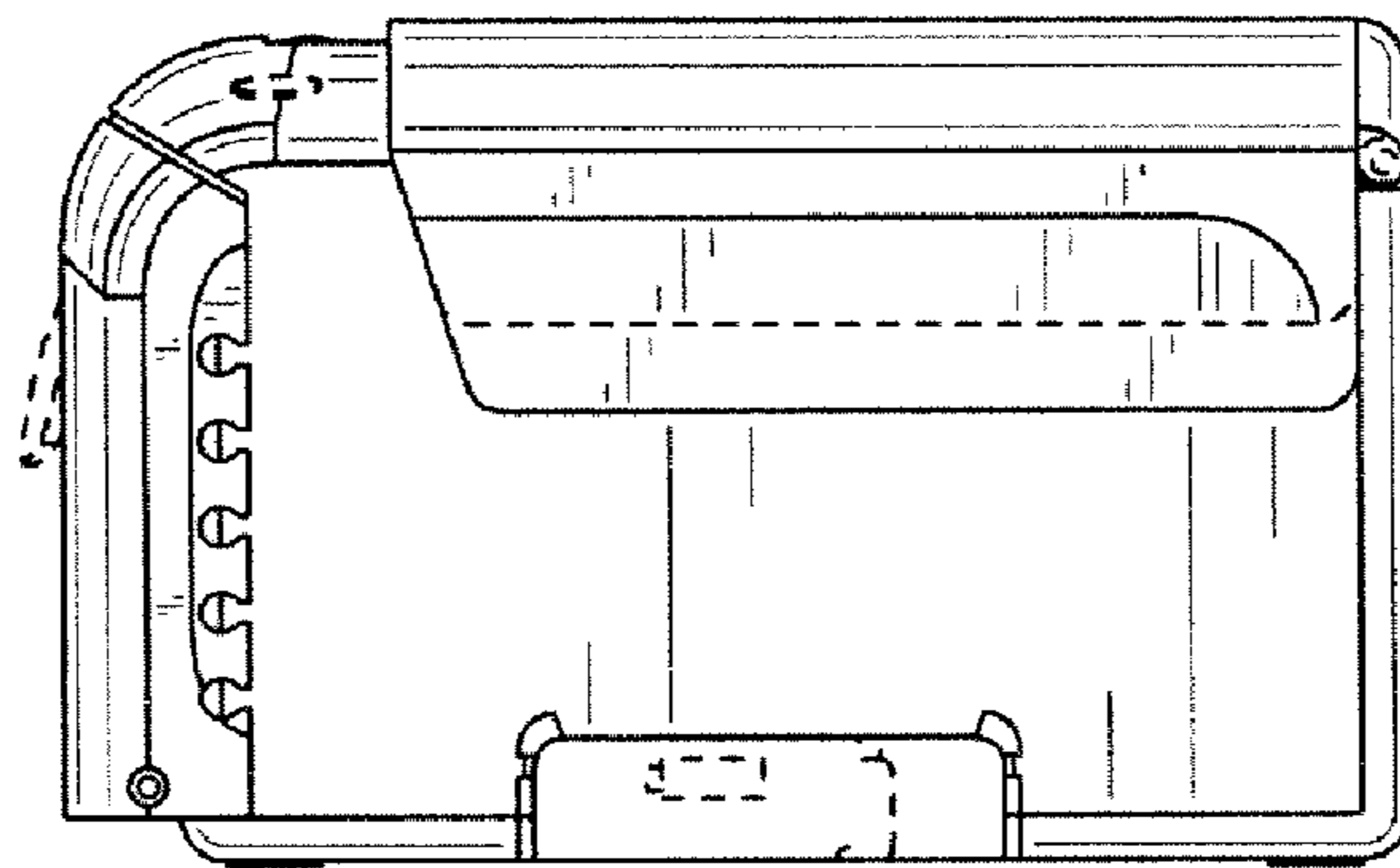


FIG. 7

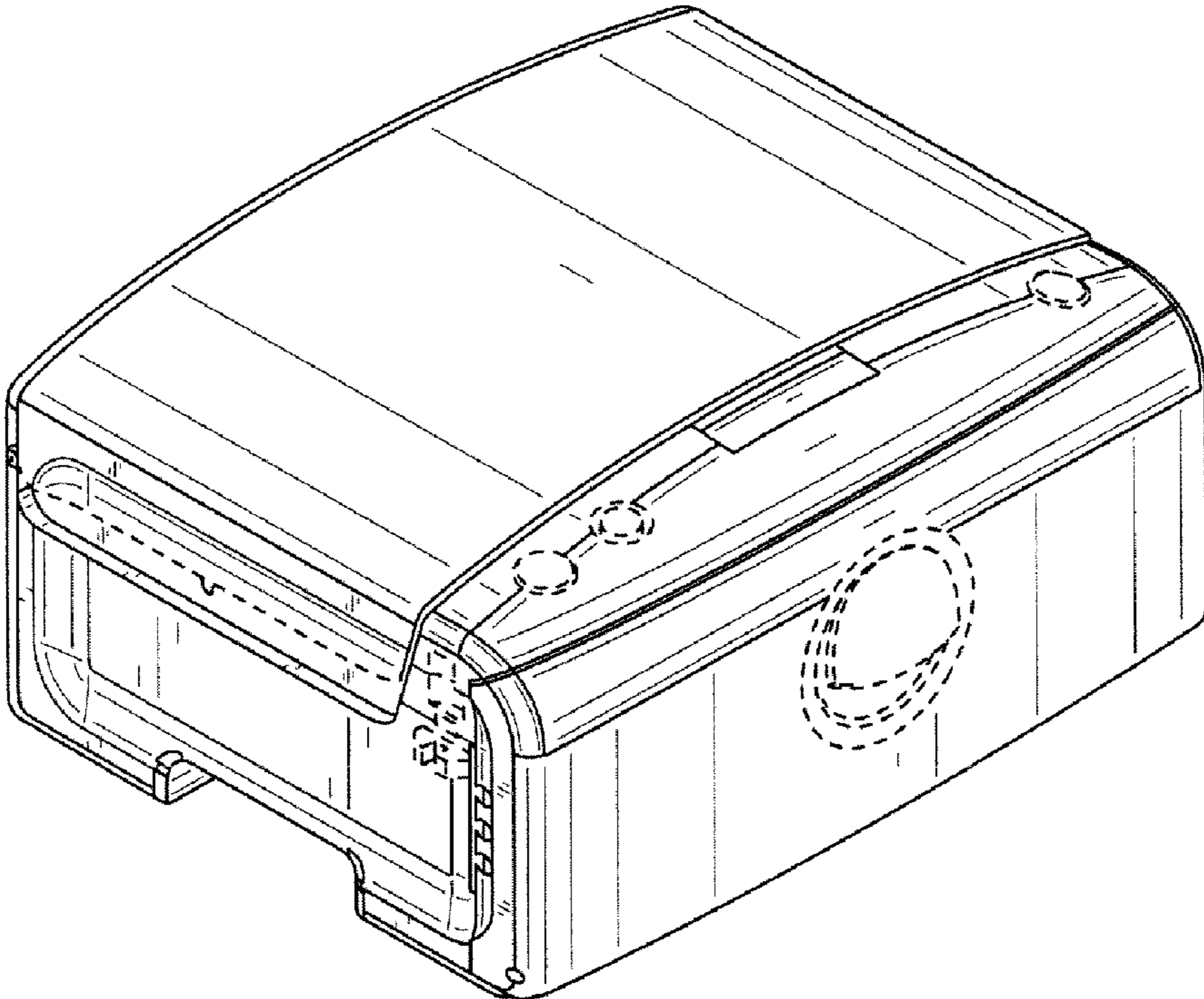


FIG. 8

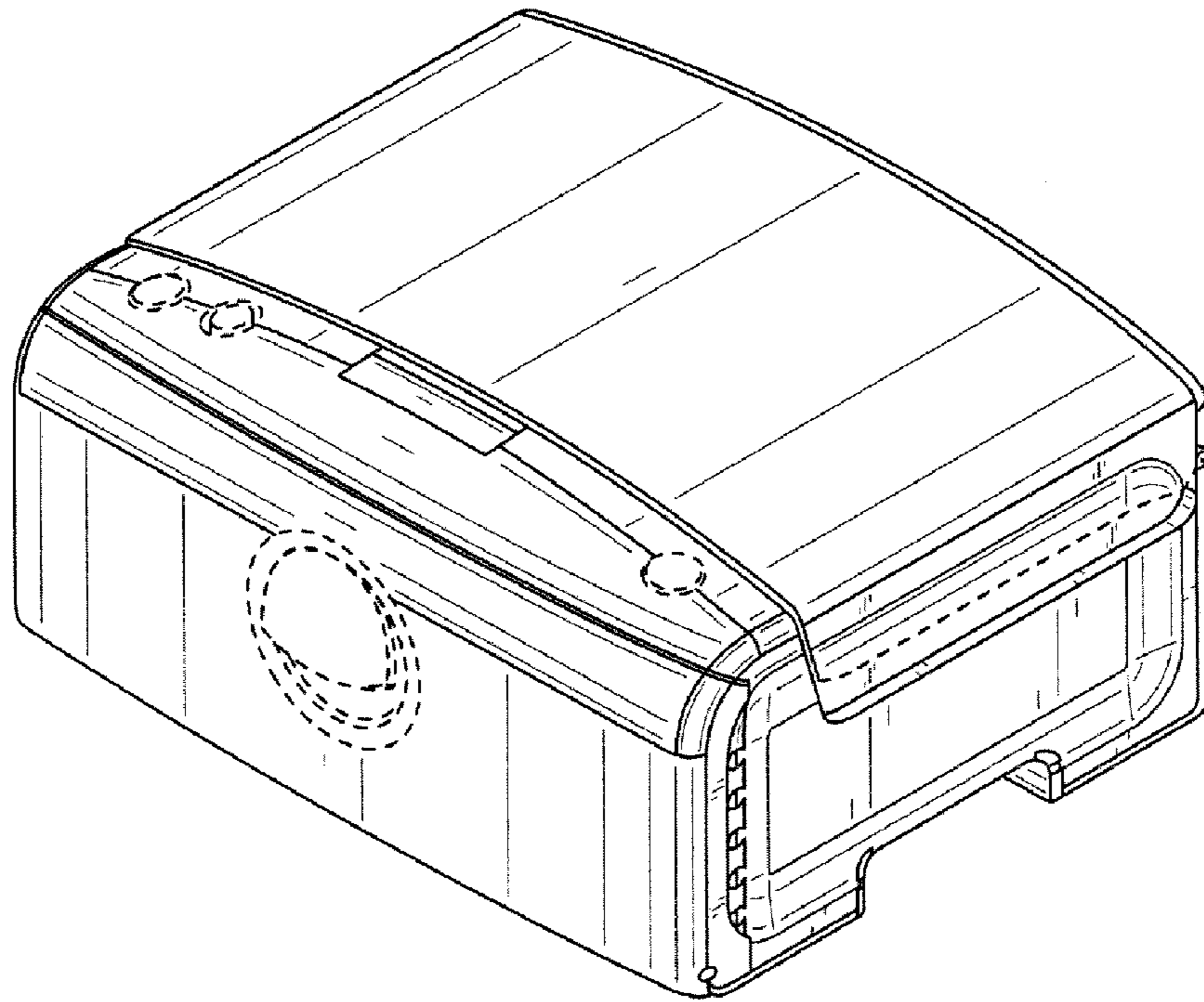


FIG. 9

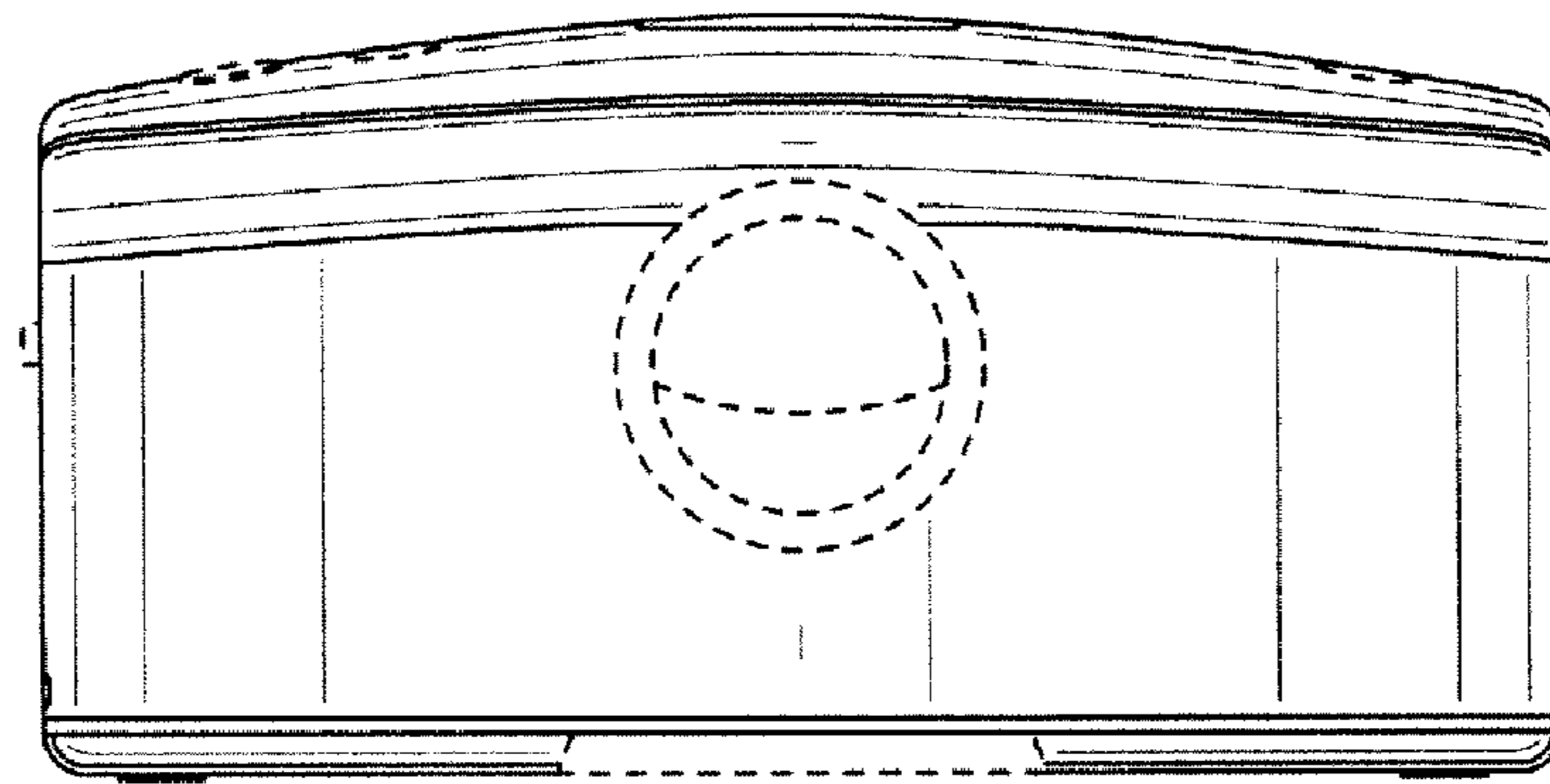


FIG. 10

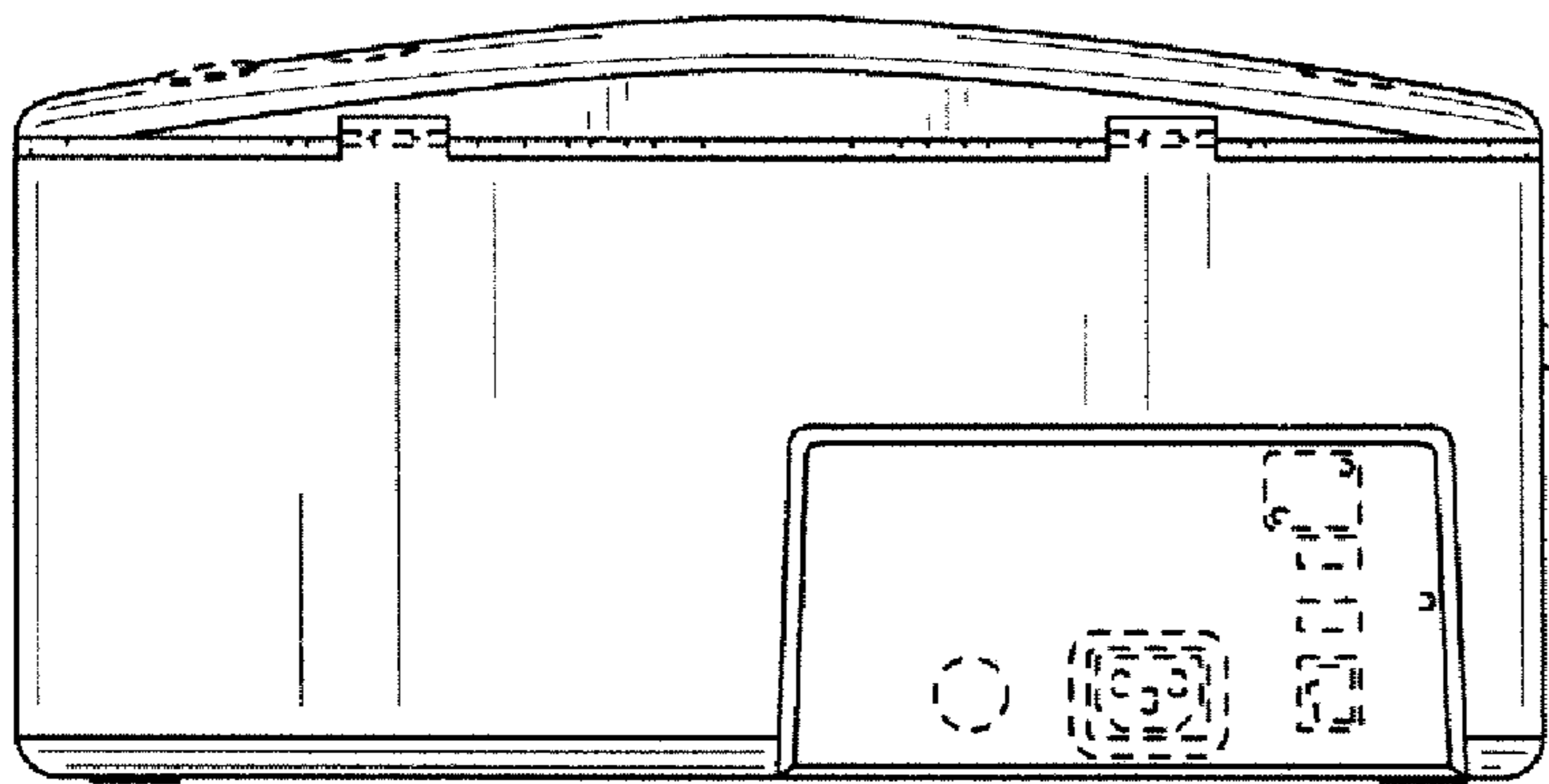


FIG. 11

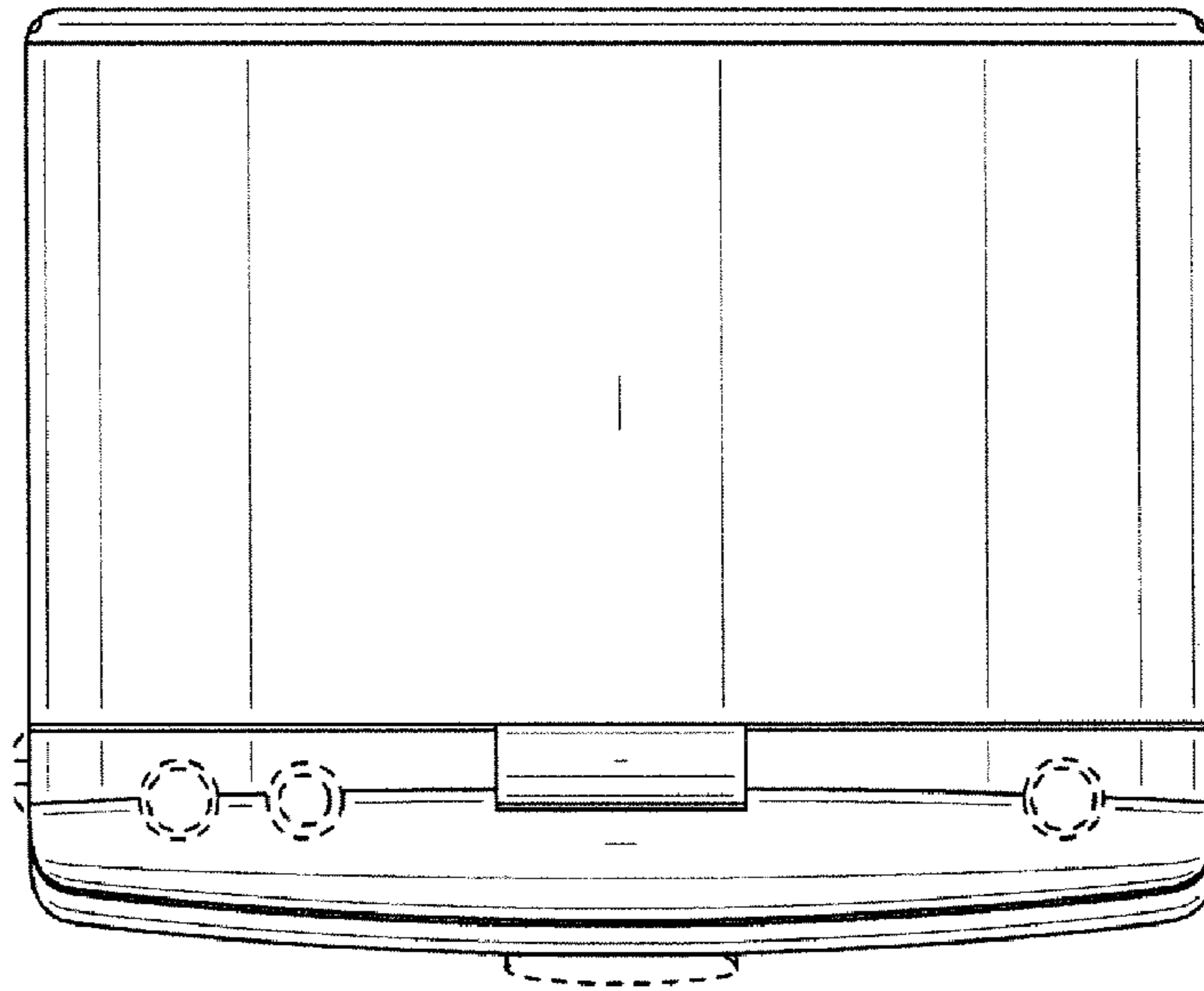


FIG. 12

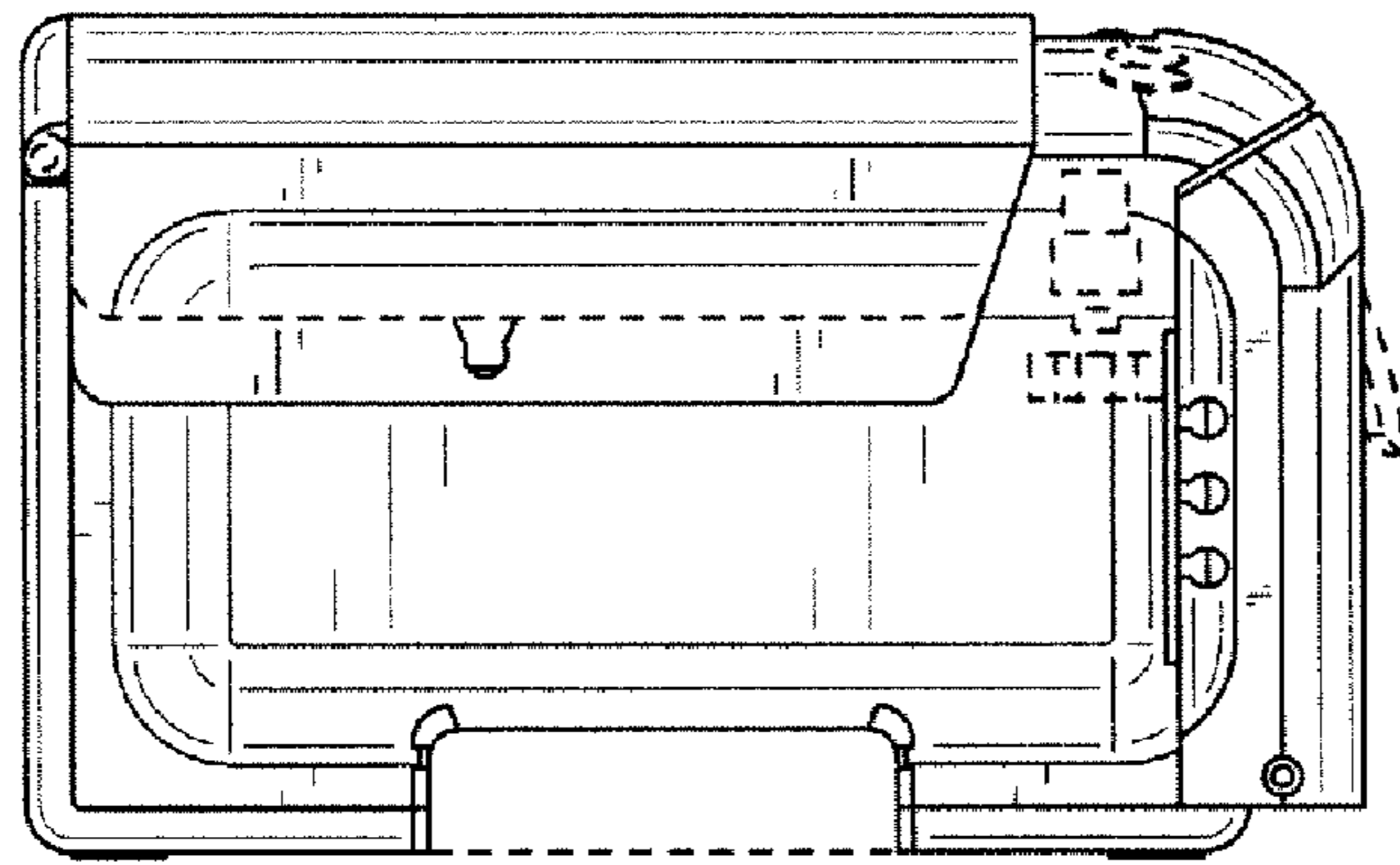


FIG. 13

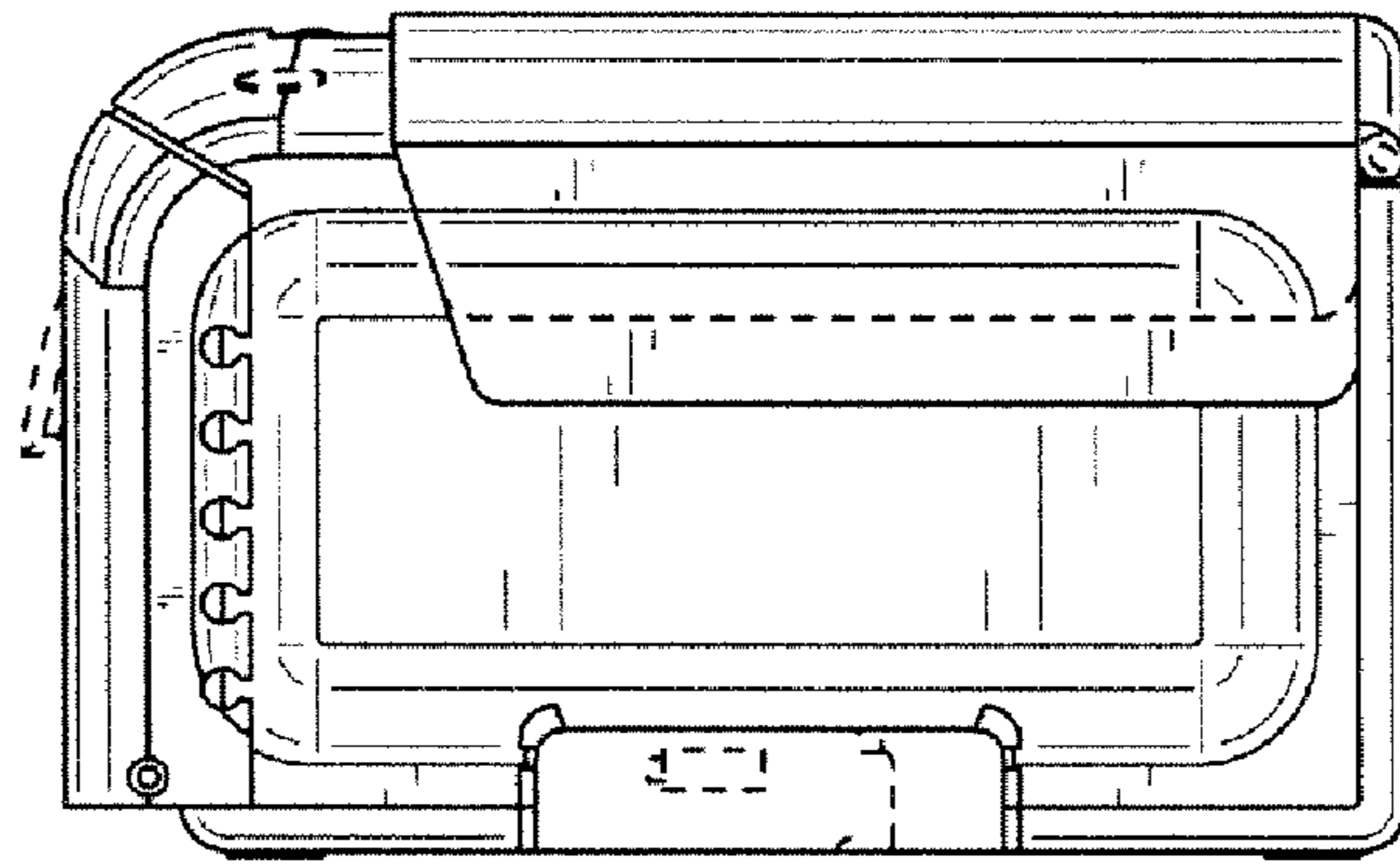


FIG. 14