



US00D664254S

(12) **United States Design Patent**
Yokoyama et al.

(10) **Patent No.:** **US D664,254 S**

(45) **Date of Patent:** **** Jul. 24, 2012**

(54) **MONITOR FOR X-RAY APPARATUS**

(56)

References Cited

(75) Inventors: **Masaru Yokoyama**, Tokyo (JP); **Atsushi Ninomiya**, Tokyo (JP); **Kazuyuki Yanase**, Tokyo (JP); **Atsushi Hibino**, Tokyo (JP); **Takahiro Yurugi**, Tokyo (JP)

(73) Assignee: **Hitachi Medical Corporation**, Tokyo (JP)

(**) Term: **14 Years**

(21) Appl. No.: **29/381,288**

(22) Filed: **Dec. 17, 2010**

(30) **Foreign Application Priority Data**

Jun. 24, 2010 (JP) 2010-15466

(51) **LOC (9) Cl.** **24-01**

(52) **U.S. Cl.** **D24/158**

(58) **Field of Classification Search** D24/158-161,
D24/185, 186; 378/4, 15, 17, 20, 21, 23-27,
378/62, 68, 146, 37, 195-198

See application file for complete search history.

U.S. PATENT DOCUMENTS

D306,343	S	*	2/1990	Ungar	D24/160
D412,748	S	*	8/1999	Nabarro	D24/158
D465,895	S	*	11/2002	Pfefferle et al.	D14/307
D472,635	S	*	4/2003	Stringer et al.	D24/160
D492,997	S	*	7/2004	DiStasio	D24/158
D611,610	S	*	3/2010	Fleck et al.	D24/185
D626,235	S	*	10/2010	Smith et al.	D24/158
D626,545	S	*	11/2010	Bleck et al.	D14/307
D629,523	S	*	12/2010	Porter et al.	D24/185
8,000,446	B2	*	8/2011	Van Woezik	378/198
2010/0004535	A1	*	1/2010	Song et al.	600/437

* cited by examiner

Primary Examiner — Anhdao Doan

(74) *Attorney, Agent, or Firm* — Antonelli, Terry, Stout & Kraus, LLP.

(57)

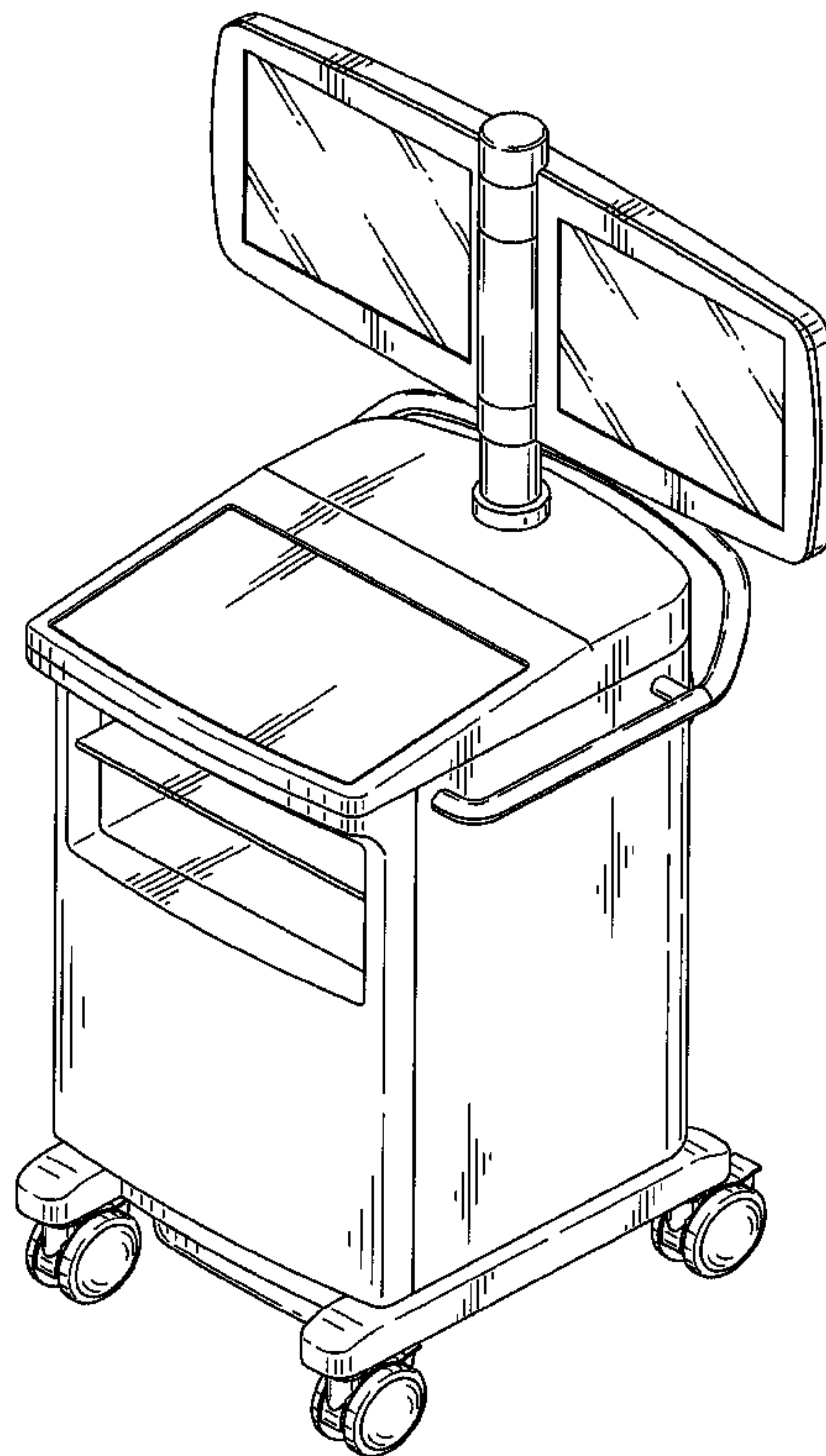
CLAIM

The ornamental design for a monitor for x-ray apparatus, as shown.

DESCRIPTION

FIG. 1 is a front, top and right side perspective view of a monitor for x-ray apparatus showing our new design; FIG. 2 is a front elevational view thereof; FIG. 3 is a rear side elevational view thereof; FIG. 4 is a top plan view thereof; FIG. 5 is a bottom plan view thereof; FIG. 6 is a left side elevational view thereof; and, FIG. 7 is a right side elevational view thereof.

1 Claim, 6 Drawing Sheets



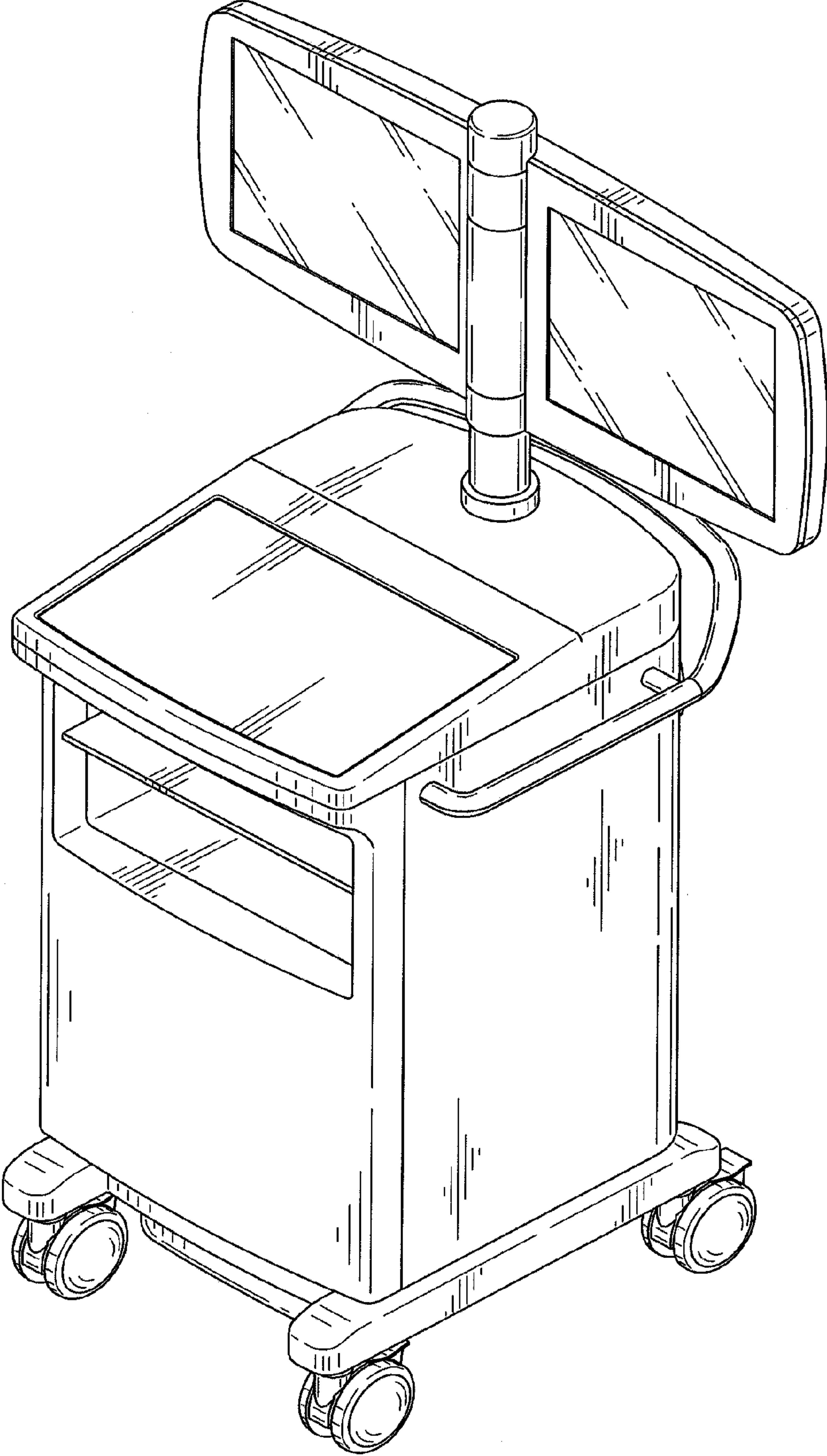


FIG. 1

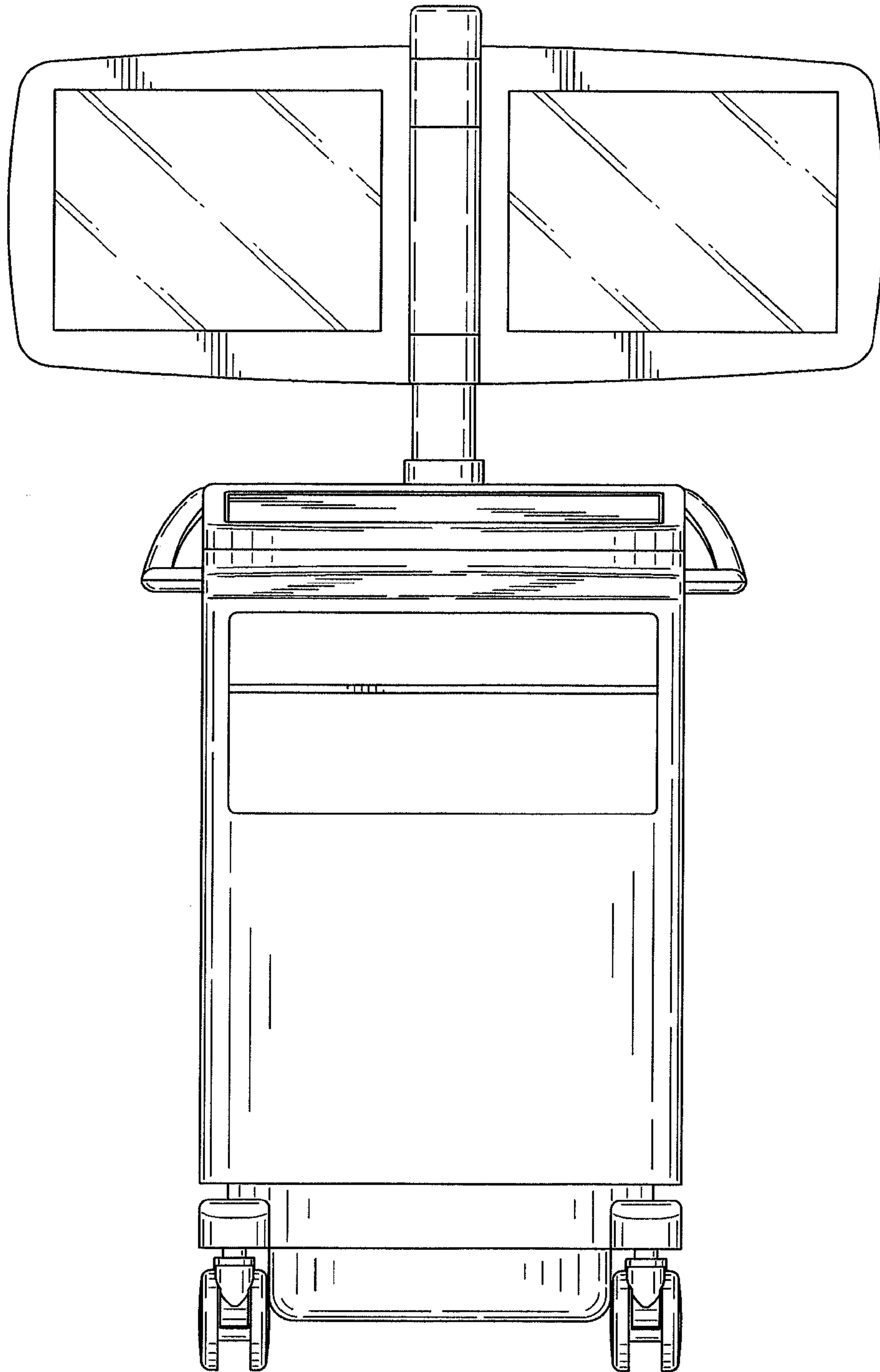


FIG. 2

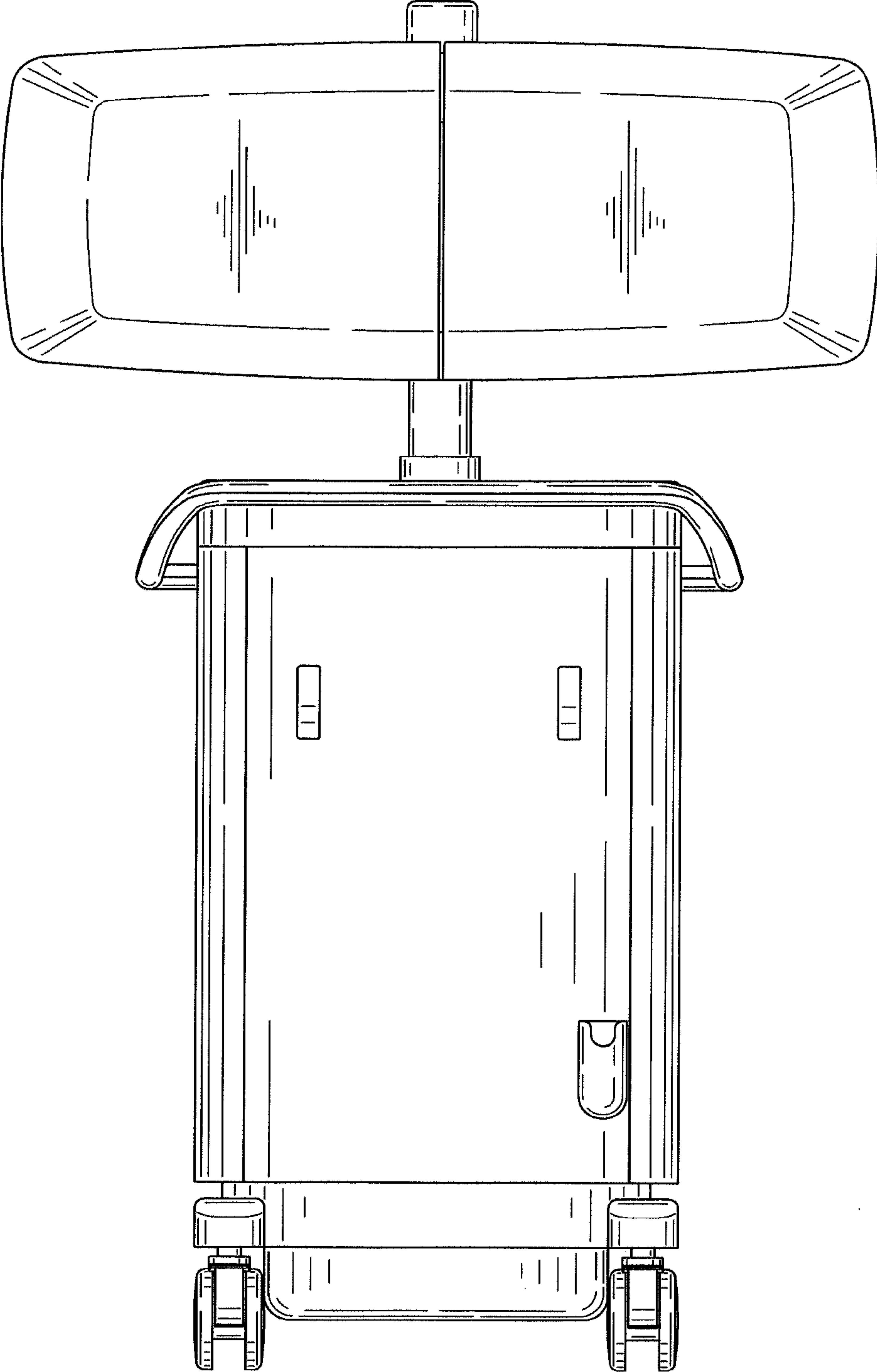


FIG. 3

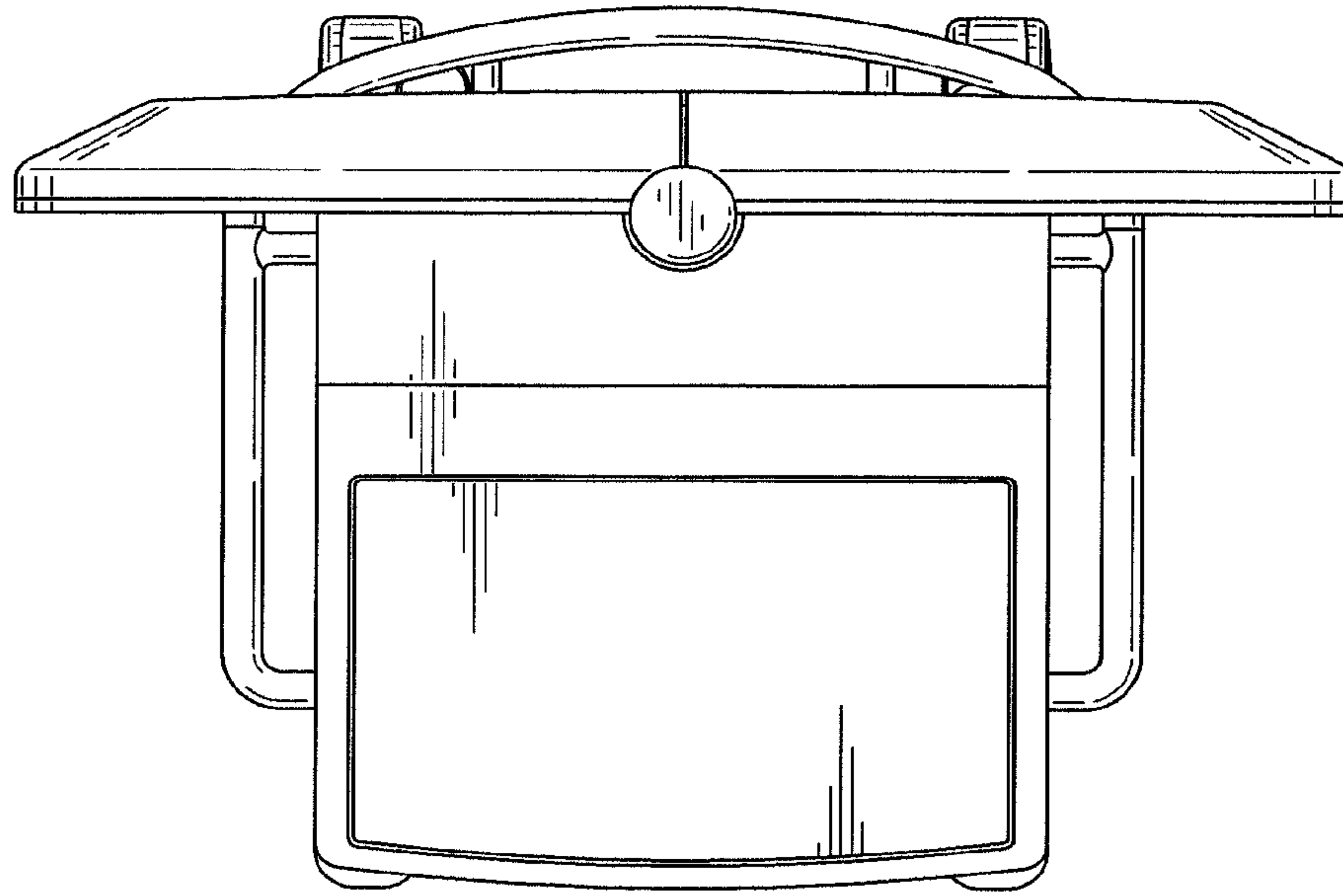


FIG. 4

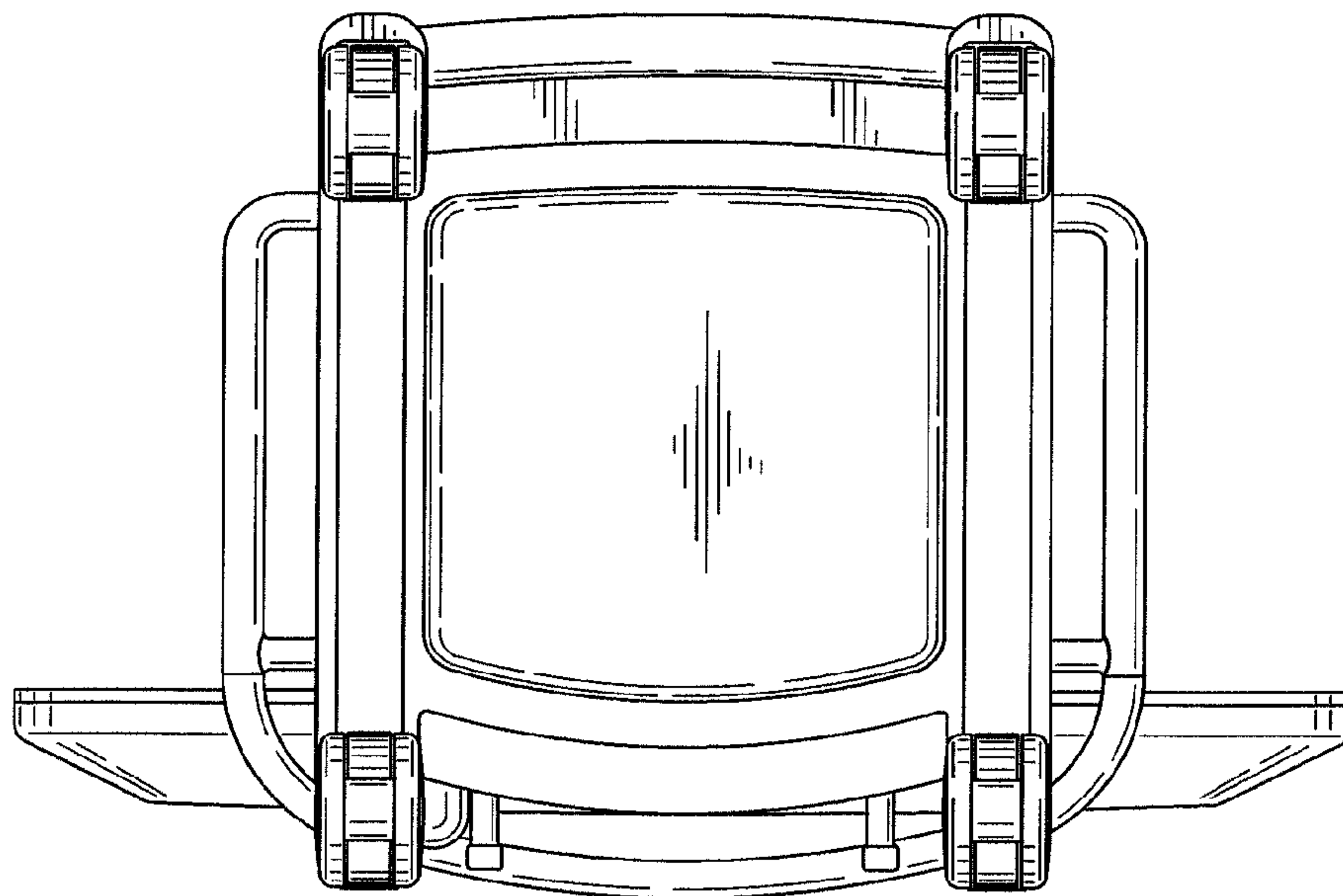


FIG. 5

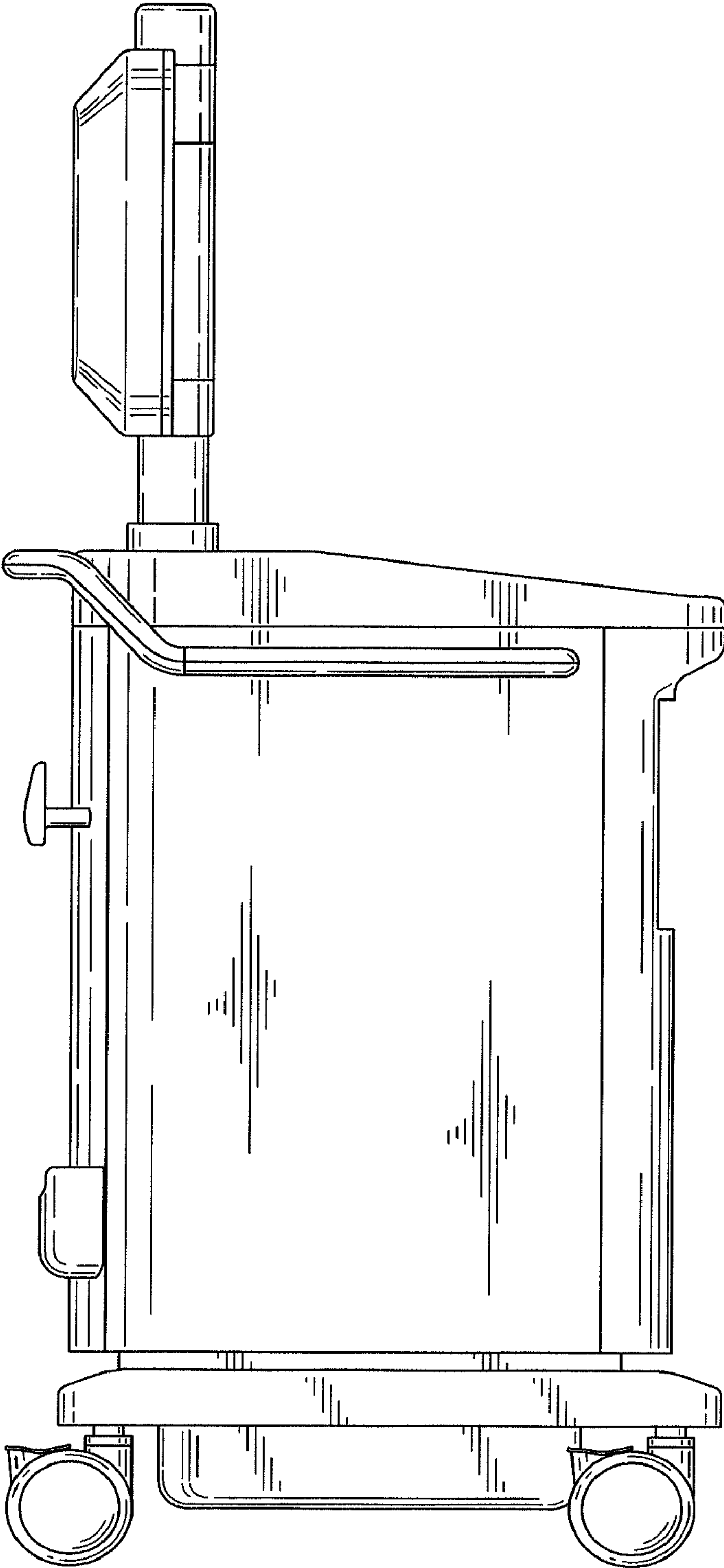


FIG. 6

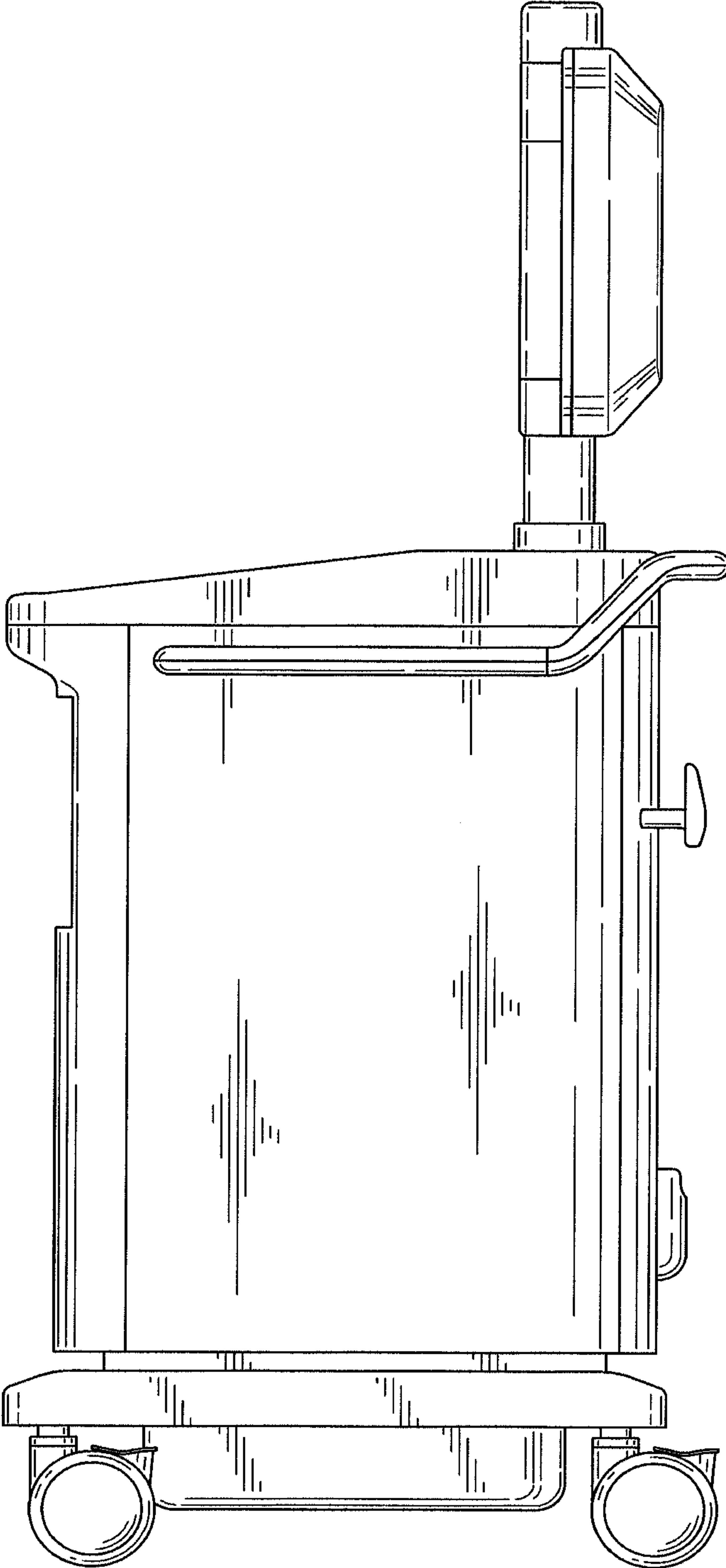


FIG. 7