

US00D664252S

(12) **United States Design Patent**
Weiland et al.

(10) **Patent No.:** **US D664,252 S**

(45) **Date of Patent:** **** Jul. 24, 2012**

(54) **WAVE OBLIQUE**

(75) Inventors: **Peter Weiland**, Nonnweiler (DE); **Erich Kast**, Pfungen (CH)

(73) Assignee: **Advanced Medical Technologies AG**, Nonweiler-Braunhausen (DE)

(**) Term: **14 Years**

(21) Appl. No.: **29/397,823**

(22) Filed: **Jul. 21, 2011**

(30) **Foreign Application Priority Data**

Jan. 27, 2011 (EM) 1811654-0001

(51) **LOC (9) Cl.** **24-02**

(52) **U.S. Cl.** **D24/155**

(58) **Field of Classification Search** D24/155,
D24/156, 133, 152, 154, 135, 144-146, 151;
606/194, 198; 623/23.54, 23.7, 1.15, 903;
604/1.02, 103.02

See application file for complete search history.

(56) **References Cited**

U.S. PATENT DOCUMENTS

D533,277 S * 12/2006 Blain D24/155
D553,744 S * 10/2007 Park D24/155

D616,546 S * 5/2010 Vraney et al. D24/155
D620,110 S * 7/2010 Courtney et al. D24/155
D620,113 S * 7/2010 Courtney et al. D24/155
D620,114 S * 7/2010 Pannu D24/155
D627,467 S * 11/2010 Pannu D24/155
D627,468 S * 11/2010 Richter et al. D24/155
D629,108 S * 12/2010 Richter et al. D24/155
D650,481 S * 12/2011 Gottlieb et al. D24/155

* cited by examiner

Primary Examiner — Ian Simmons

Assistant Examiner — Charles Hanson

(74) *Attorney, Agent, or Firm* — Hamre, Schumann, Mueller & Larson, P.C.

(57) **CLAIM**

The ornamental design for wave oblique, as shown and described.

DESCRIPTION

FIG. 1 is a perspective front view of wave oblique;
FIG. 2 is a left side view thereof;
FIG. 3 is right side view thereof,
FIG. 4 is a rear view thereof;
FIG. 5 is a front view thereof;
FIG. 6 is a top view thereof; and,
FIG. 7 is a bottom view thereof.

1 Claim, 6 Drawing Sheets

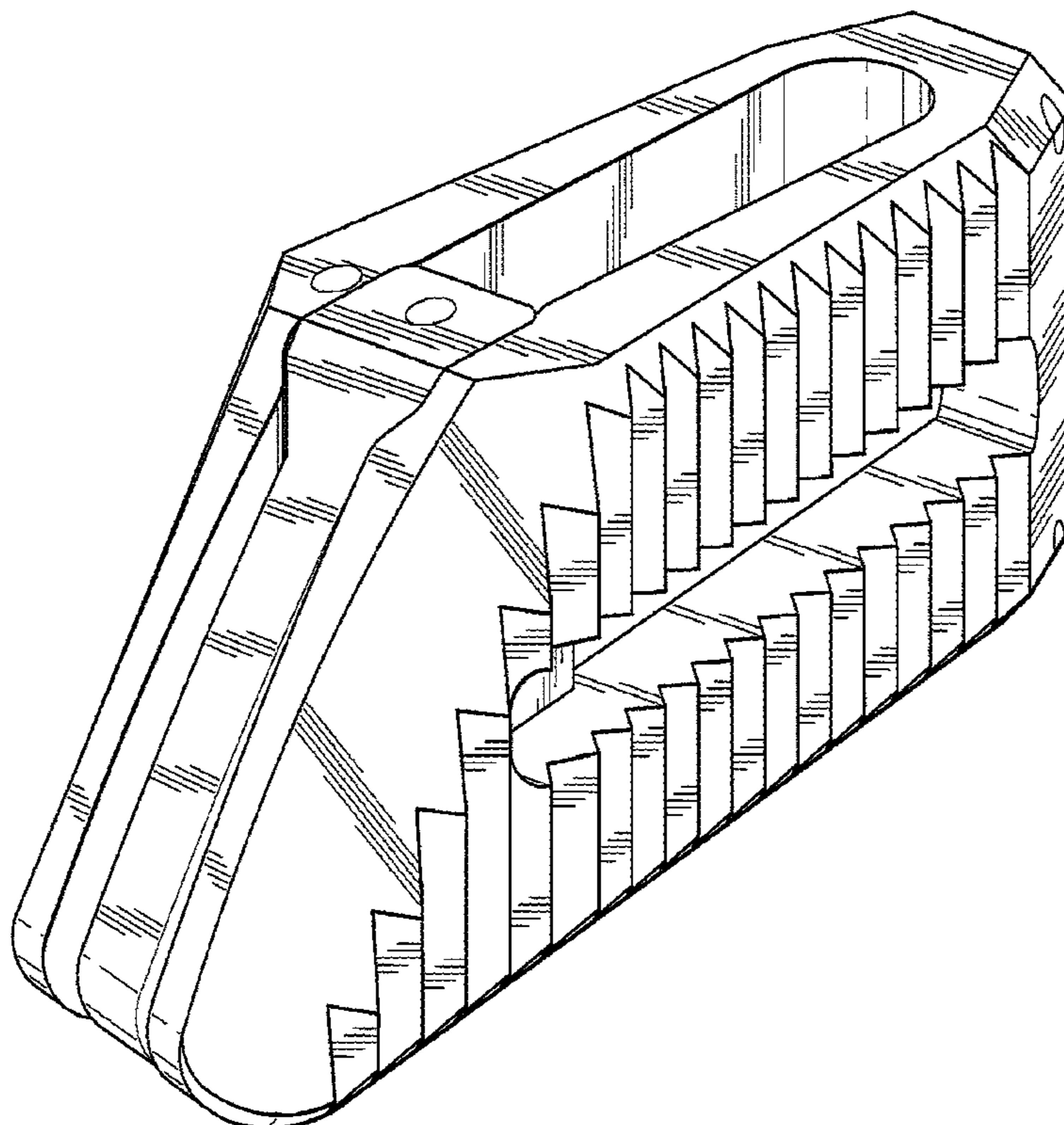
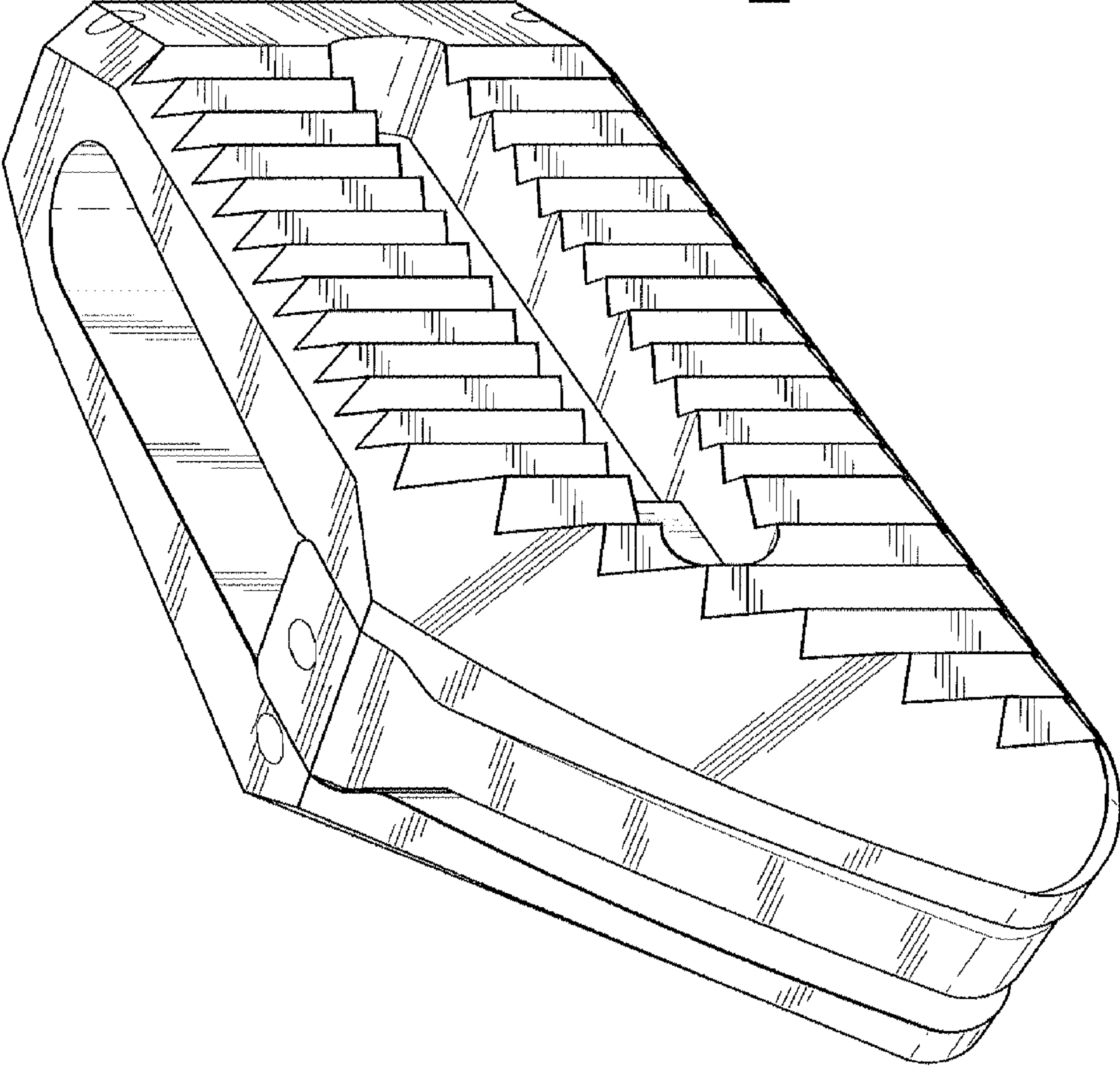


Fig. 1



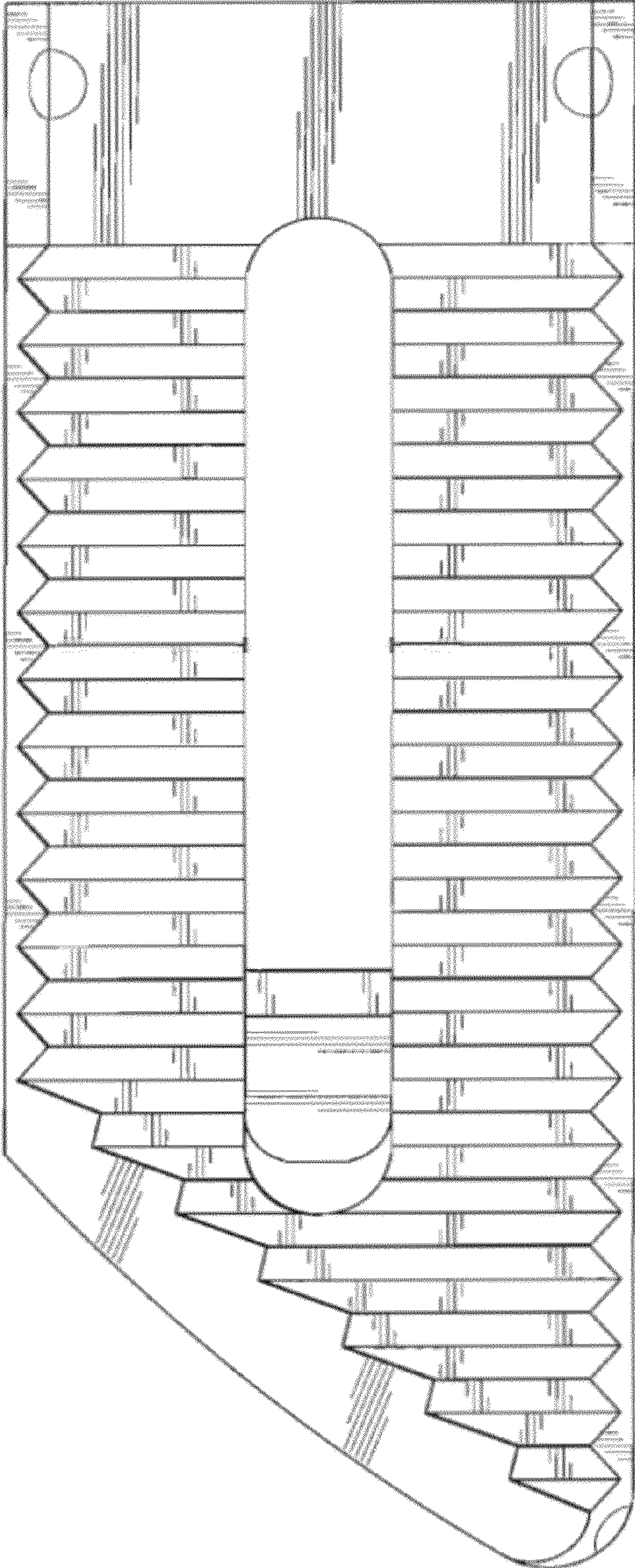


Fig. 2

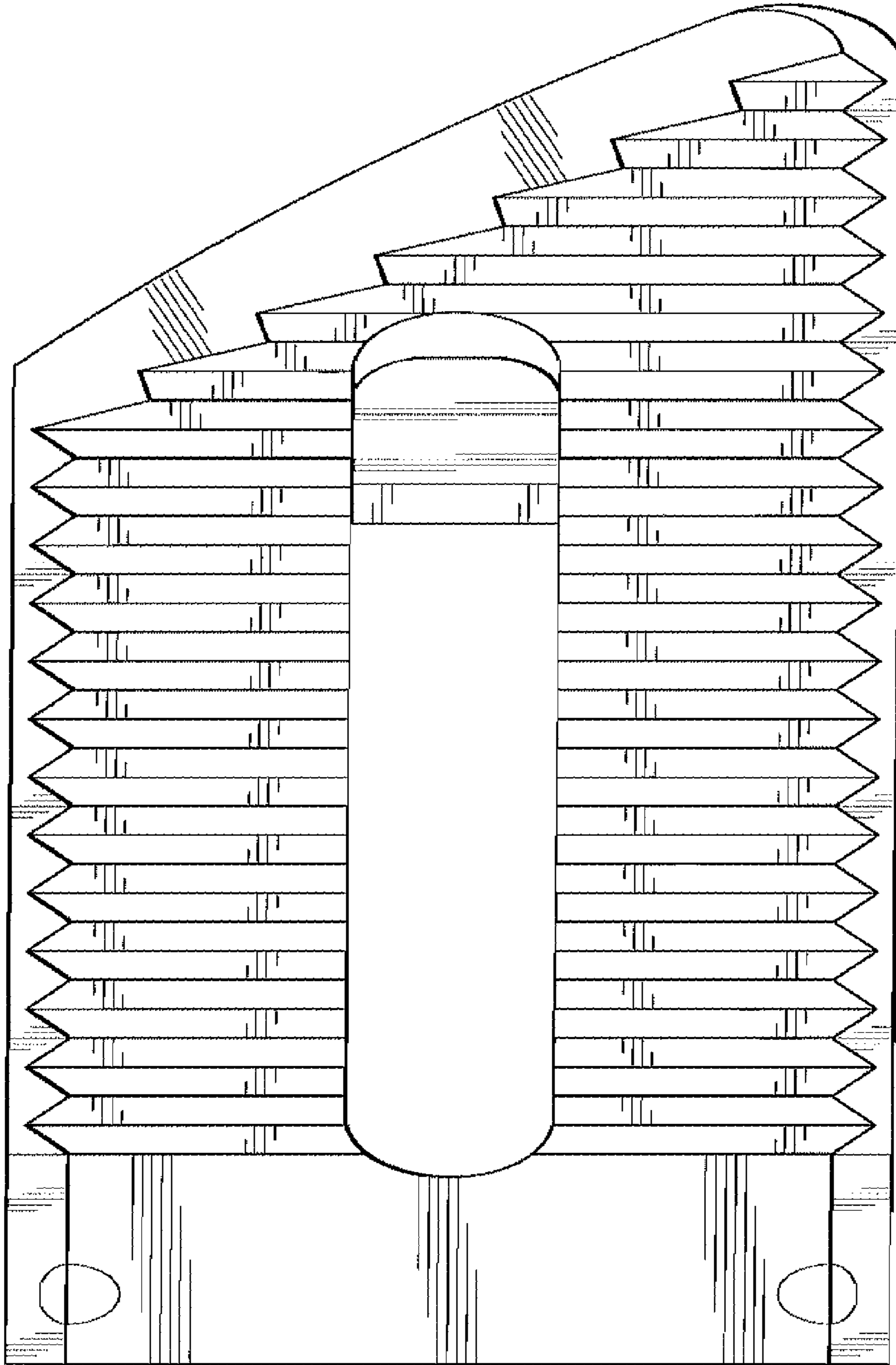


Fig. 3

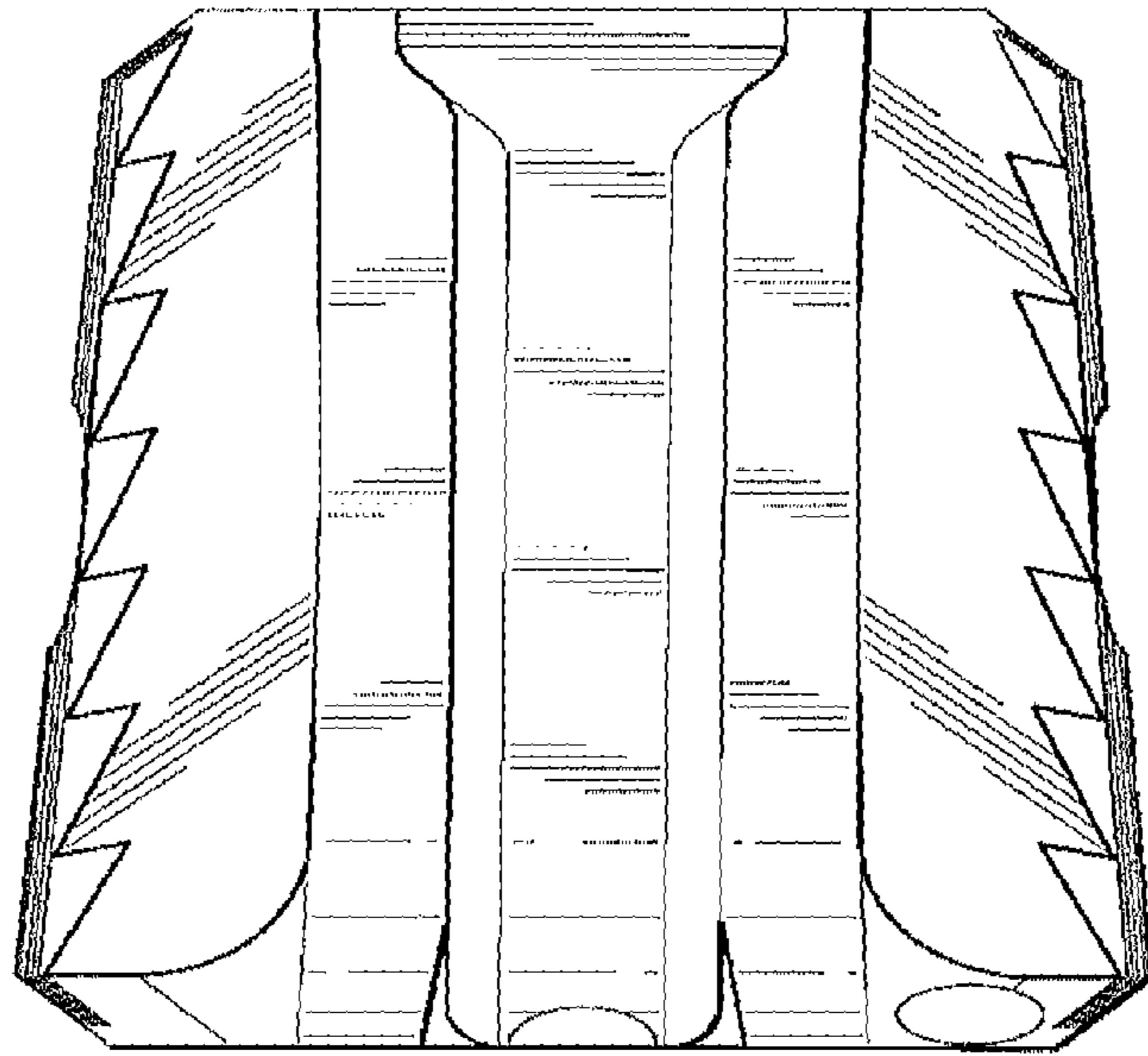


Fig. 4

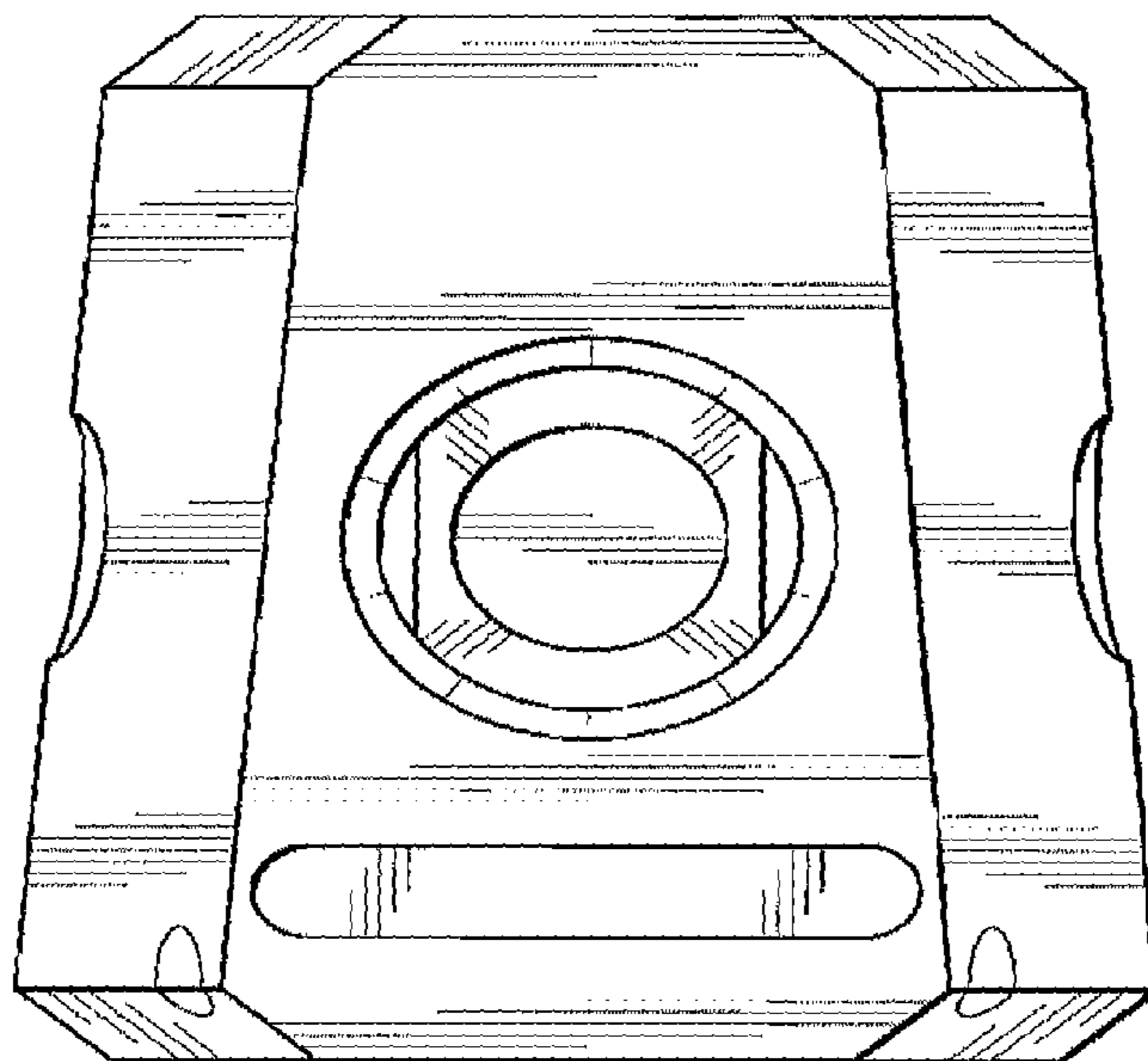


Fig. 5

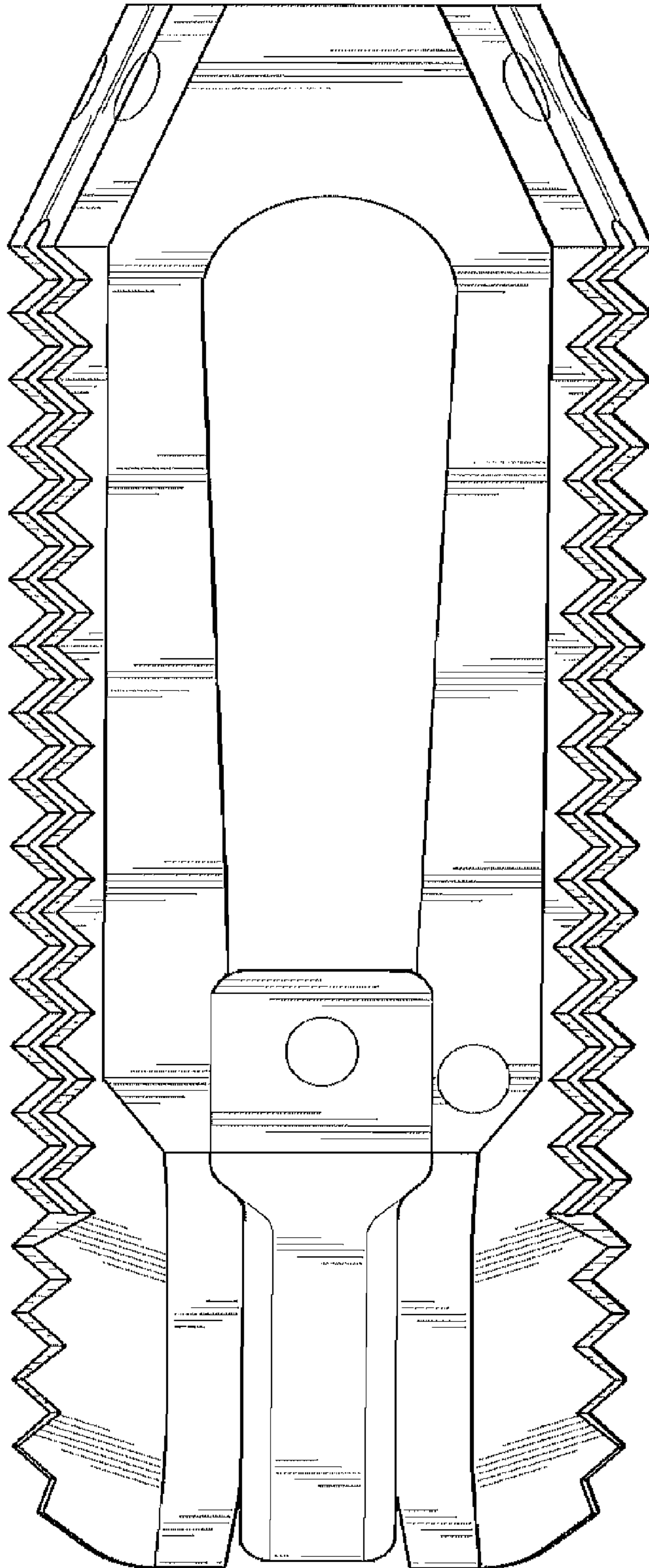


Fig. 6

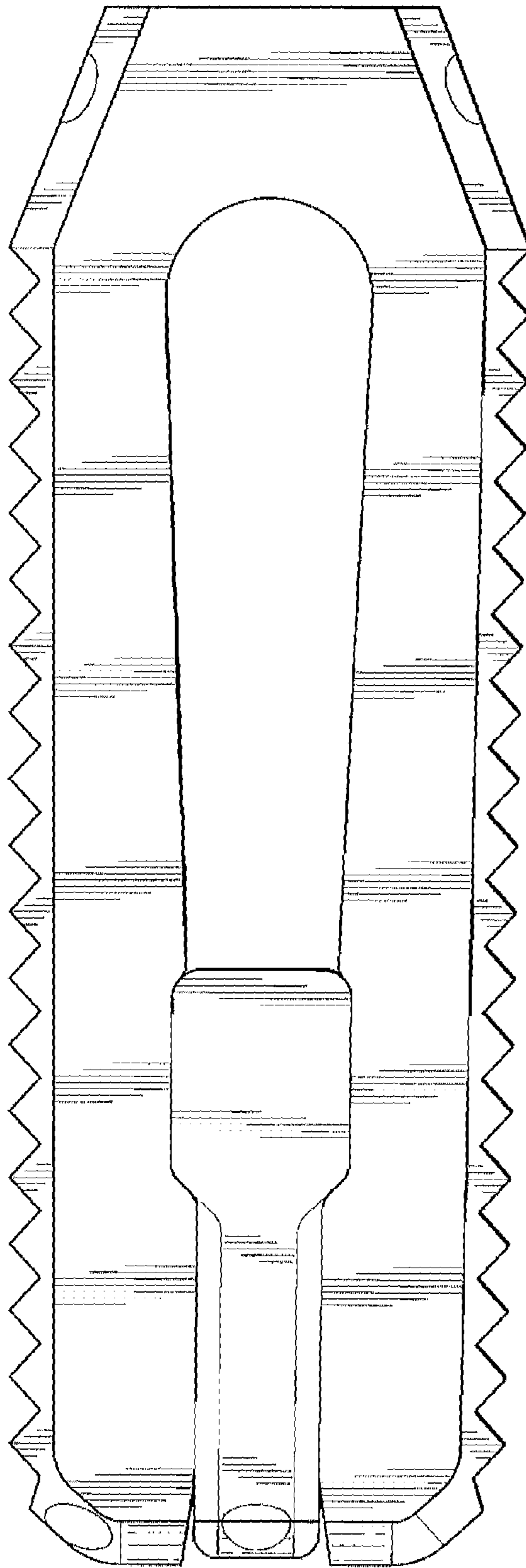


Fig. 7