

US00D664246S

(12) **United States Design Patent**  
**Irvin et al.**

(10) **Patent No.:** **US D664,246 S**  
(45) **Date of Patent:** **\*\* Jul. 24, 2012**

(54) **ROTATABLE AND ADJUSTABLE AIR FRESHENER**

(75) Inventors: **Aaron Irvin**, Salt Lake City, UT (US);  
**Nathaniel Finlay**, Lehi, UT (US)

(73) Assignee: **American Covers, Inc.**, Draper, UT (US)

(\*\*) Term: **14 Years**

(21) Appl. No.: **29/415,358**

(22) Filed: **Mar. 9, 2012**

**Related U.S. Application Data**

(63) Continuation of application No. 12/979,763, filed on Dec. 28, 2010.

(60) Provisional application No. 61/291,240, filed on Dec. 30, 2009.

(51) **LOC (9) Cl.** ..... **28-99**

(52) **U.S. Cl.** ..... **D23/356**

(58) **Field of Classification Search** ..... D23/355-369;  
D28/5, 6; 261/DIG. 17, DIG. 42, DIG. 65,  
261/DIG. 88, DIG. 89; 392/386, 390, 394,  
392/395; 239/34, 44, 53, 55, 56, 326  
See application file for complete search history.

(56) **References Cited**

**U.S. PATENT DOCUMENTS**

D176,671 S	4/1876	Myers
D140,109 S	1/1945	Pierce
2,642,248 A	6/1953	Semon
2,733,333 A	1/1956	Peters
D177,826 S	5/1956	Katz
D178,237 S	7/1956	Katz
3,239,145 A	3/1966	Aurelio
3,456,106 A	7/1969	Glusckin Mischa
3,655,129 A	4/1972	Seiner
3,847,305 A	11/1974	Tobin
3,948,445 A	4/1976	Andeweg
3,971,858 A	7/1976	Collier et al.

D246,986 S	1/1978	Costello
4,084,079 A	4/1978	Costello
D250,041 S	10/1978	Schimanski
4,149,675 A	4/1979	Van Breen et al.
4,184,099 A	1/1980	Lindauer et al.
4,226,944 A	10/1980	Stone et al.
D258,511 S	3/1981	Ashton
4,280,649 A	7/1981	Montealegre
4,301,949 A	11/1981	Palson et al.
1,683,545 A	9/1982	Harris

(Continued)

**FOREIGN PATENT DOCUMENTS**

CA 2077251 5/1993

(Continued)

**OTHER PUBLICATIONS**

About.Com Housekeeping, <http://housekeeping.about.com/od/pr...>  
affresh, Febreze Noticeables, accessed Oct. 2, 2008, 2 pages.

(Continued)

*Primary Examiner* — Sandra Snapp

(74) *Attorney, Agent, or Firm* — Thorpe North & Western LLP

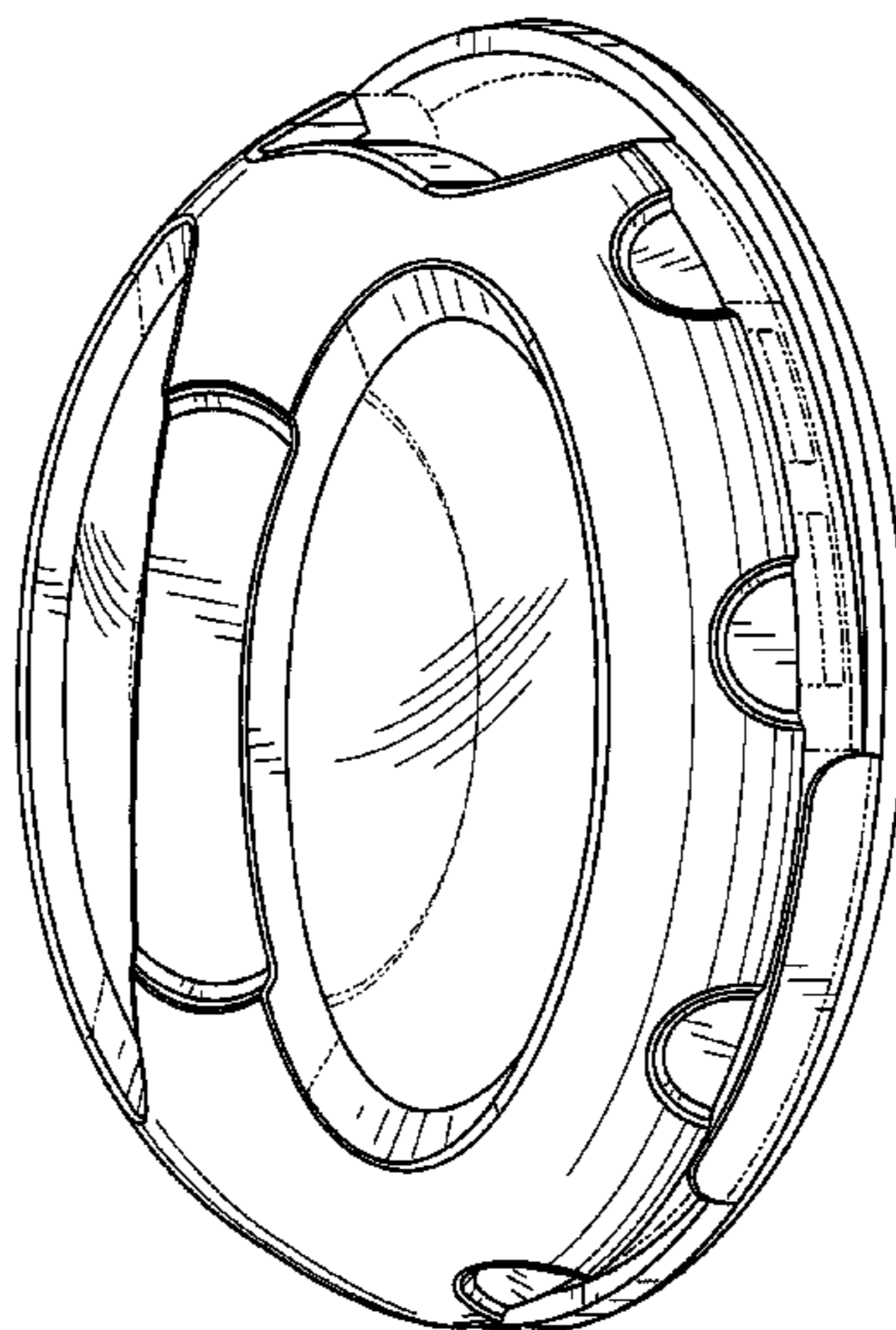
(57) **CLAIM**

The ornamental design for the rotatable and adjustable air freshener, as shown and described.

**DESCRIPTION**

FIG. 1 is an elevated, perspective view of the rotatable and adjustable air freshener in accordance with our invention; FIG. 2 is a front view thereof; FIG. 3 is a back view thereof; FIG. 4 is a right side view thereof; FIG. 5 is a left side view thereof; FIG. 6 is a top view thereof; and, FIG. 7 is a bottom view thereof. The broken lines shown in FIGS. 1-6 are for illustrative purposes only and form no part of the claimed design.

**1 Claim, 5 Drawing Sheets**



# US D664,246 S

U.S. PATENT DOCUMENTS					
4,382,548	A	5/1983 Van der Heijden	6,325,475	B1	12/2001 Hayes et al.
4,391,781	A	7/1983 van Lit	6,357,260	B1	3/2002 Lutz
4,517,326	A	5/1985 Cordts et al.	6,374,044	B1	4/2002 Freidel
4,549,693	A	10/1985 Barlics	6,375,966	B1	4/2002 Maleeny et al.
4,594,380	A	6/1986 Chapin et al.	6,379,689	B1	4/2002 Aguadisch
D286,323	S	10/1986 Haworth	6,416,043	B1	7/2002 Eisenbraun
4,638,057	A	1/1987 Takahashi et al.	6,514,467	B1	2/2003 Bulsink et al.
4,649,046	A	3/1987 Kross	D472,968	S	4/2003 Christianson
4,703,070	A	10/1987 Locko et al.	D478,379	S	8/2003 Talenton et al.
RE32,834	E	1/1989 Cordts et al.	D478,973	S	8/2003 Wagner
4,808,347	A	2/1989 Dawn	D479,592	S	9/2003 Lammel et al.
4,840,773	A	6/1989 Wade	D485,343	S	1/2004 Wu
4,874,129	A	10/1989 DiSapio et al.	D487,504	S	3/2004 Yuen
4,880,690	A	11/1989 Szycher et al.	6,712,286	B2	3/2004 Baxter et al.
4,950,542	A	8/1990 Barker	D488,214	S	4/2004 Quantin
4,968,456	A	11/1990 Muderlak et al.	D488,548	S	4/2004 Lablaine
5,008,115	A	4/1991 Lee et al.	D491,257	S *	6/2004 Picken, Jr. .... D23/366
5,019,434	A	5/1991 Matsumoto	D491,798	S	6/2004 Buthier
5,050,798	A	9/1991 Sullivan	D496,720	S	9/2004 Dudley
D322,558	S	12/1991 Halm et al.	6,800,252	B1	10/2004 Jedzinski
5,071,704	A	12/1991 Fischel-Ghodsian	6,885,811	B2	4/2005 He et al.
5,114,625	A	5/1992 Gibson	D504,943	S	5/2005 Dudley
5,178,327	A	1/1993 Palamand et al.	D507,341	S	7/2005 Taylor
5,180,107	A	1/1993 Lindauer	D515,192	S	2/2006 Smith et al.
5,193,445	A	3/1993 Ferguson	7,025,283	B2	4/2006 Torres
D334,975	S *	4/1993 Bunce et al. .... D23/366	7,055,764	B1	6/2006 Martinez et al.
5,220,636	A	6/1993 Chang	7,061,386	B2	6/2006 Seresini
D338,519	S	8/1993 Peterson	D535,379	S	1/2007 Hundertmark
5,234,162	A	8/1993 Sullivan	D544,080	S	6/2007 Carlson
D349,157	S	7/1994 Rymer	D544,594	S *	6/2007 Zobebe ..... D23/366
D350,192	S *	8/1994 Patel et al. .... D23/369	D544,953	S *	6/2007 Kee ..... D23/368
5,368,822	A	11/1994 McNeil	D546,432	S	7/2007 Hundertmark
5,407,642	A	4/1995 Lord	7,243,859	B2	7/2007 Caserta et al.
5,422,078	A	6/1995 Colon	D550,345	S *	9/2007 Weggelaar ..... D23/366
D367,526	S	2/1996 Bignon	D551,333	S *	9/2007 Wu ..... D23/366
D367,924	S *	3/1996 Patel et al. .... D23/369	D554,746	S	11/2007 Davis et al.
D373,626	S *	9/1996 Dente et al. .... D23/366	D565,162	S	3/2008 Carlson
D375,350	S *	11/1996 Patel et al. .... D23/366	7,344,123	B2	3/2008 Pankhurst et al.
5,595,194	A	1/1997 Talbot	D565,715	S *	4/2008 Wu ..... D23/366
D380,258	S	6/1997 Muller et al.	D573,706	S	7/2008 Zlotnik et al.
5,651,522	A	7/1997 Davis et al.	D574,941	S	8/2008 Weggelaar
5,683,285	A	11/1997 Wong	D580,039	S	11/2008 Zlotnik et al.
5,695,692	A	12/1997 Kennedy	D585,129	S *	1/2009 Huang ..... D23/366
5,704,832	A	1/1998 Borrell	D585,971	S	2/2009 Carrizales
D390,941	S	2/1998 Cessaroni et al.	D591,415	S *	4/2009 Wu ..... D23/366
5,762,549	A	6/1998 Scheuer et al.	D593,670	S *	6/2009 Valentino et al. .... D23/366
5,780,527	A	7/1998 O'Leary	D594,953	S	6/2009 King et al.
2,794,767	A	8/1998 Wilson	7,544,332	B2	6/2009 De Silva et al.
5,820,791	A	10/1998 Canale	7,607,566	B2	10/2009 Philips et al.
D400,662	S	11/1998 Davis	7,651,666	B2	1/2010 Adair et al.
5,845,847	A	12/1998 Martin et al.	D619,692	S	7/2010 Hami et al.
5,860,552	A	1/1999 Culhane et al.	D619,693	S	7/2010 Hami et al.
5,861,128	A	1/1999 Vick et al.	D619,694	S	7/2010 Hami et al.
D404,957	S	2/1999 Cheris et al.	D620,573	S	7/2010 Hami et al.
5,871,765	A	2/1999 Johnson et al.	7,780,094	B2	8/2010 Caserta et al.
5,899,382	A	5/1999 Hayes	D625,798	S	10/2010 Hami et al.
D410,540	S	6/1999 Pinchuk	D629,881	S *	12/2010 Valentino et al. .... D23/368
D411,002	S	6/1999 Farmer	D631,954	S *	2/2011 Bertassi et al. .... D23/366
D415,267	S	10/1999 Kauzlarich et al.	D633,610	S *	3/2011 Wu ..... D23/366
D415,268	S	10/1999 Farmer	D642,668	S *	8/2011 Lablaine ..... D23/366
5,988,520	A	11/1999 Bitner	D647,186	S *	10/2011 Chan et al. .... D23/364
D417,727	S	12/1999 Christianson	D649,237	S *	11/2011 Bilko et al. .... D23/366
6,044,202	A	3/2000 Junkel	2003/0097936	A1	5/2003 Maleeny et al.
D424,677	S *	5/2000 Chen ..... D23/366	2003/0199421	A1	10/2003 Copfer
D425,190	S	5/2000 Morikawa	2004/0265164	A1	12/2004 Woo et al.
6,111,055	A	8/2000 Berger et al.	2005/0127538	A1 *	6/2005 Fabrega et al. .... 261/104
6,123,906	A	9/2000 Farmer	2005/0169793	A1	8/2005 Wheatley et al.
D432,222	S	10/2000 Rymer et al.	2006/0078477	A1	4/2006 Althouse et al.
D437,038	S	1/2001 Chuan	2006/0279008	A1	12/2006 Jursich
6,190,607	B1	2/2001 Farmer	2007/0057084	A1	3/2007 Vieira
6,191,197	B1	2/2001 Wang et al.	2007/0160492	A1	7/2007 Spector
6,197,263	B1	3/2001 Blount	2008/0128925	A1	6/2008 Pankhurst et al.
6,202,938	B1	3/2001 Collier	2009/0010813	A1	1/2009 Wang et al.
D440,294	S	4/2001 Bilek	2010/0187327	A1	7/2010 Irvin
D441,441	S *	5/2001 Upson ..... D23/366			
6,264,887	B1	7/2001 Farmer			
6,291,371	B1	9/2001 Shefer et al.			
6,309,715	B1	10/2001 Lindauer et al.			

## FOREIGN PATENT DOCUMENTS

EP	0 348 970	1/1990
EP	1 346 734	9/2003
WO	WO 98/46284	10/1998



WO	WO 00/24434	5/2000
WO	WO 00/64498	11/2000
WO	WO 02/35975	5/2002
WO	WO 02/38029	5/2002
WO	WO 2004/078219	9/2004
WO	WO 2006/010282	2/2006
WO	WO 2006/084160	8/2006
ZA	20004637	9/2000

## OTHER PUBLICATIONS

Aromate E-News, Innovation in Novelty Fragrance, [Http://209.85.173.104/seasrch?qcach . . .](http://209.85.173.104/seasrch?qcach...), accessed Oct. 8, 2008, 2 pages.

ecrater, [www.ecrater.com/product.hp? . . .](http://www.ecrater.com/product.hp?), Yankee Candle Selects Two Scents Electric Fragrance Unit Macintosh/Home Sweet Home, accessed Oct. 2, 2008, 1 page.

<http://decomodo.com/articles/categor/lighting/>, Bamboo Pillar Candle, Jan. 8, 2008, 1 page.

[http://shop.advanceautoparts.com/webapp/wcs/stores/servlet/product\\_6170795-P\\_N3004 . . .](http://shop.advanceautoparts.com/webapp/wcs/stores/servlet/product_6170795-P_N3004) Advance Auto Part; Arometrics Dual-Scent Vent—Juicy Strawberry and Vanilla; 1 Page; accessed Dec. 10, 2010.

[http://www.bestliquidations.com/Medo\\_Vent Frehser.htm](http://www.bestliquidations.com/Medo_Vent_Frehser.htm); BestLiquidations.com; Medo Vent Fresh Air Fresheners; 2 pages; accessed Dec. 10, 2010.

Medo® Air Fresheners; Auto Expressions™ 2005 Product Catalog; 25 pages.

Pictures (3) of Medo® auto Expressions Vent™ Air Freshener distributed by SOPUS Products of Moorpark, CA 2003 copyright date on package.

Scents & Sprays, [www.scentsandsprays.com/ya . . .](http://www.scentsandsprays.com/ya), Yankee Autumn Bounty Electric 2 Home Air Fresheners, copyright 2001-2008 [scentsandsprays.com](http://scentsandsprays.com), accessed Oct. 2, 2008, 1 page.

[www.4imprint.com/EXEC/DETAIL/FROMPRODUCTGROUP/~SKU100300/~CA100300.htm](http://www.4imprint.com/EXEC/DETAIL/FROMPRODUCTGROUP/~SKU100300/~CA100300.htm), Hot Rod Vent Stick Air Freshener (it . . .), accessed Aug. 12, 2008, 2 pages.

[www.autothing.com/Products/Air%20Fresheners/air%20freshener-clip.htm](http://www.autothing.com/Products/Air%20Fresheners/air%20freshener-clip.htm), Air Fresheners, Fresh Scents for you mobile Life, Clip-on Air Vent Clips rom Eagle o., Accessed Aug. 12, 2008, 1 page.

[www.chicscents.com/Products.aspx](http://www.chicscents.com/Products.aspx) Island Adventure Sandals; 2 pages; accessed Feb. 1, 2011.

[www.chicscents.com/Products.aspx](http://www.chicscents.com/Products.aspx); Inspiration 3-D by Chic; 2 pages; accessed Feb. 1, 2011.

U.S. Appl. No. 10/786,358; filed Feb. 24, 2004; Alan J. Wheatley; published as 2004/0169091 on Sep. 2, 2004; issued as 7,137,570 on Nov. 21, 2006.

U.S. Appl. No. 11/050,463; filed Feb. 2, 2005; Alan J. Wheatley; issued as 7,293,719 on Nov. 13, 2007.

U.S. Appl. No. 11/050,473; filed Feb. 2, 2005; Alan J. Wheatley.

U.S. Appl. No. 12/243,635; filed Oct. 1, 2008; Alan J. Wheatley; published as 2009/0072045 on Mar. 19, 2009; issued as 7,687,038 on Mar. 30, 2010.

U.S. Appl. No. 11/264,670; filed Oct. 31, 2005; Alan J. Wheatley published as 2006/0196964 on Sep. 7, 2006; issued as 7,687,037 on Mar. 30, 2010.

U.S. Appl. No. 13/009,574; filed Jan. 19, 2011; Alan J. Wheatley; published as 2011/0110823 on May 12, 2011.

U.S. Appl. No. 11/290,334; filed Nov. 29, 2005; Alan J. Wheatley published as 2006/0076431 on Apr. 13, 2006; issued as 7,159,792 on Jan. 9, 2007.

U.S. Appl. No. 29/204,958; filed May 5, 2004; Alan J. Wheatley issued as D514,679 on Feb. 7, 2006.

U.S. Appl. No. 29/204,959; filed May 5, 2004; Alan J. Wheatley; issued as D511,568 on Nov. 15, 2005.

U.S. Appl. No. 29/325,498; filed Oct. 1, 2008; Alan J. Wheatley; issued as D594,954 on Jun. 23, 2009.

U.S. Appl. No. 29/331,515; filed Jan. 27, 2009; Aaron Irvin; issued as D598,531 on Aug. 18, 2009.

U.S. Appl. No. 29/331,512; filed Jan. 27, 2009; Alan J. Wheatley; issued as D607,983 on Jan. 12, 2010.

U.S. Appl. No. 12/693,543; filed Jan. 26, 2010; Aaron Irvin; published as 2010/0187327 on Jul. 29, 2010.

U.S. Appl. No. 13/191,966; filed Jul. 27, 2011; Aaron Irvin.

U.S. Appl. No. 12/979,813; filing date Dec. 28, 2010; Aaron Irvin.

U.S. Appl. No. 12/979,795; filed Dec. 28, 2010; Aaron Irvin.

U.S. Appl. No. 29/415,358; filed Mar. 9, 2012; Aaron Irvin.

U.S. Appl. No. 12/915,983; filed Oct. 29, 2010; Alan J. Wheatley.

U.S. Appl. No. 29/378,121; filed Oct. 29, 2010; Aaron Irvin; issued as D640,359 on Jun. 21, 2011.

U.S. Appl. No. 29/394,683; filed Jun. 20, 2011; Alan J. Wheatley; issued as D650,892 on Dec. 20, 2011.

U.S. Appl. No. 12/916,038; filed Oct. 29, 2010; Aaron Irvin.

U.S. Appl. No. 29/378,116; filed Oct. 29, 2010; Aaron Irvin; issued as D640,658; on Jun. 21, 2011.

U.S. Appl. No. 12/915,924; filed Oct. 29, 2010; Nathaniel Finlay.

U.S. Appl. No. 29/378,112; filed Oct. 29, 2010; Nathaniel Finlay; issued as D660,950 on May 29, 2012.

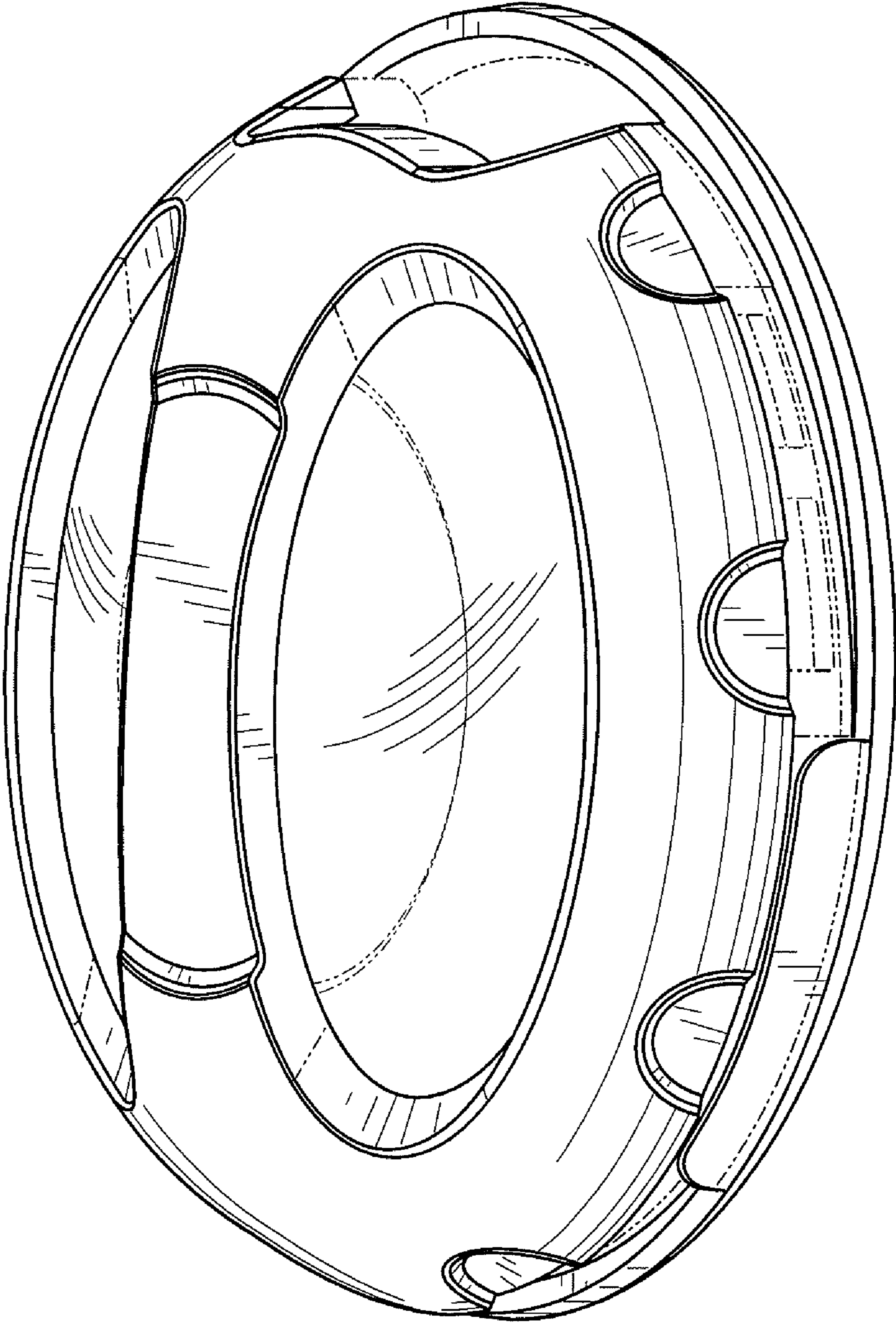
U.S. Appl. No. 13/359,726; filed Jan. 27, 2012; Aaron Irvin.

U.S. Appl. No. 11/623,007; filed Nov. 20, 2009; Alan J. Wheatley; published as 2010/0065654 on Mar. 18, 2010; issued as U.S. Appl. No. 08,147,761 on Apr. 3, 2012.

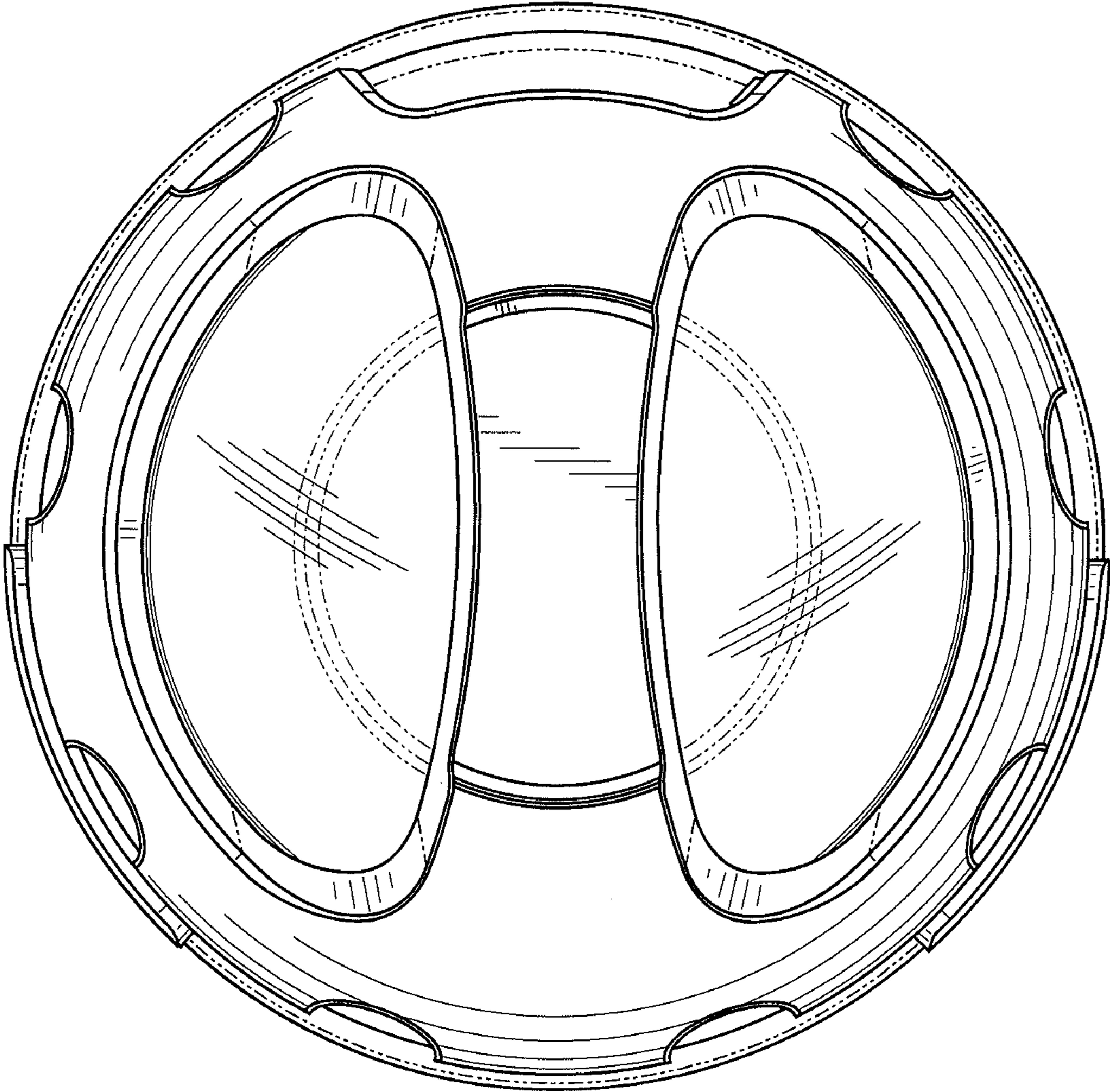
U.S. Appl. No. 29/378,112; filed Oct. 29, 2010; Nathaniel Finlay; Notice of Allowance issued Mar. 29, 2012.

U.S. Appl. No. 12/916,038; filed Oct. 29, 2010; Aaron Irvin; Notice of Allowance issued Apr. 27, 2012.

\* cited by examiner

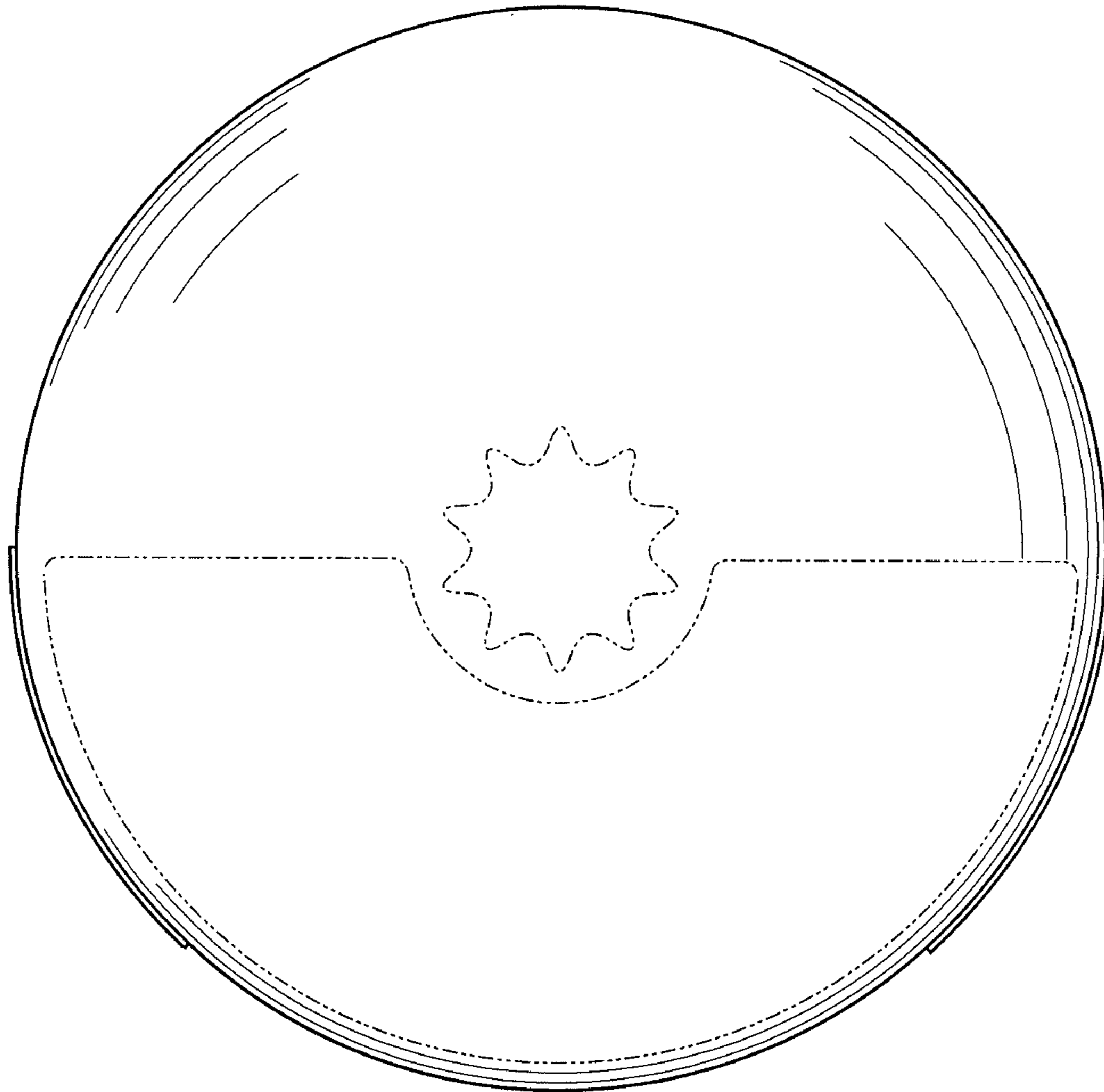


**FIG. 1**

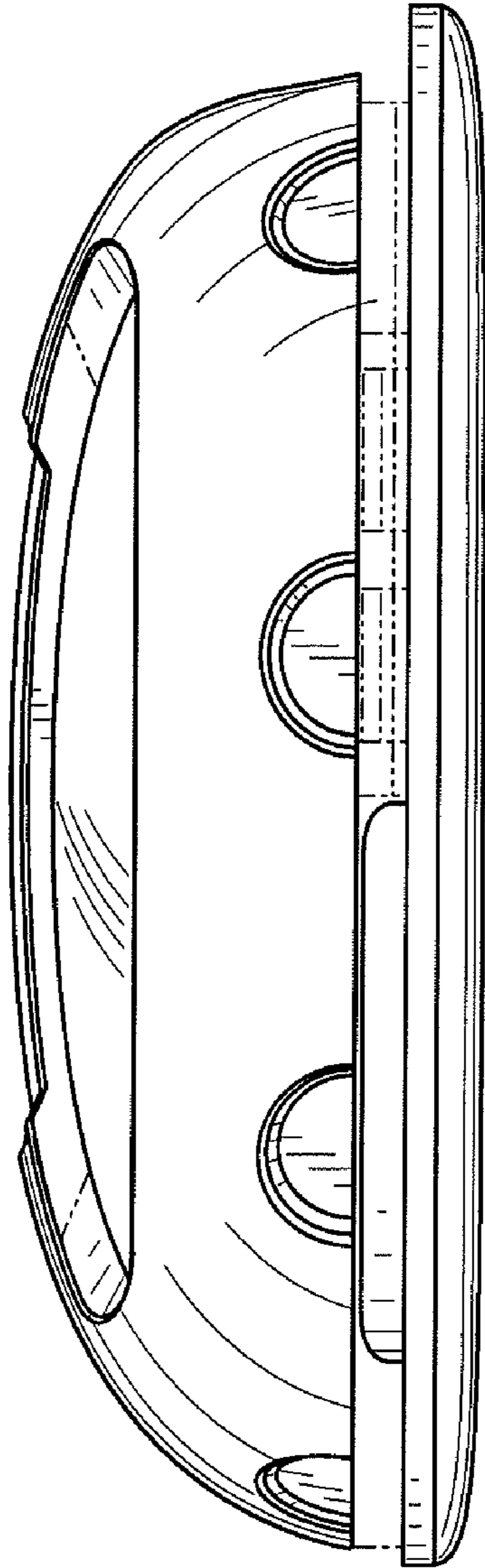


**FIG. 2**

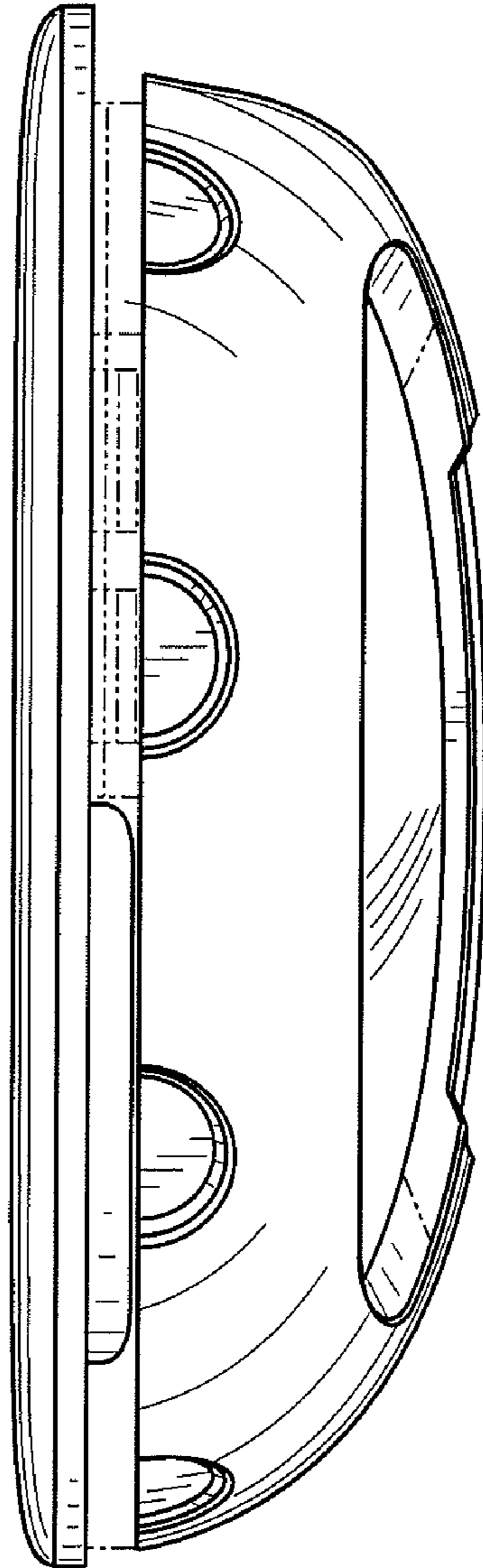




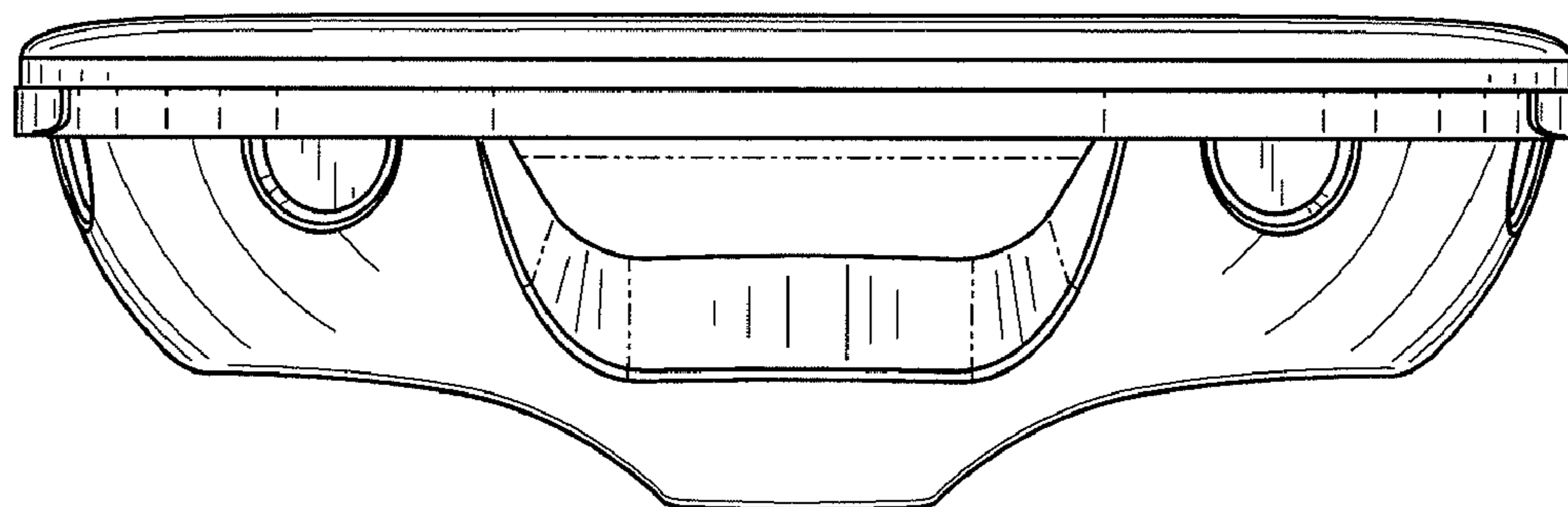
**FIG. 3**



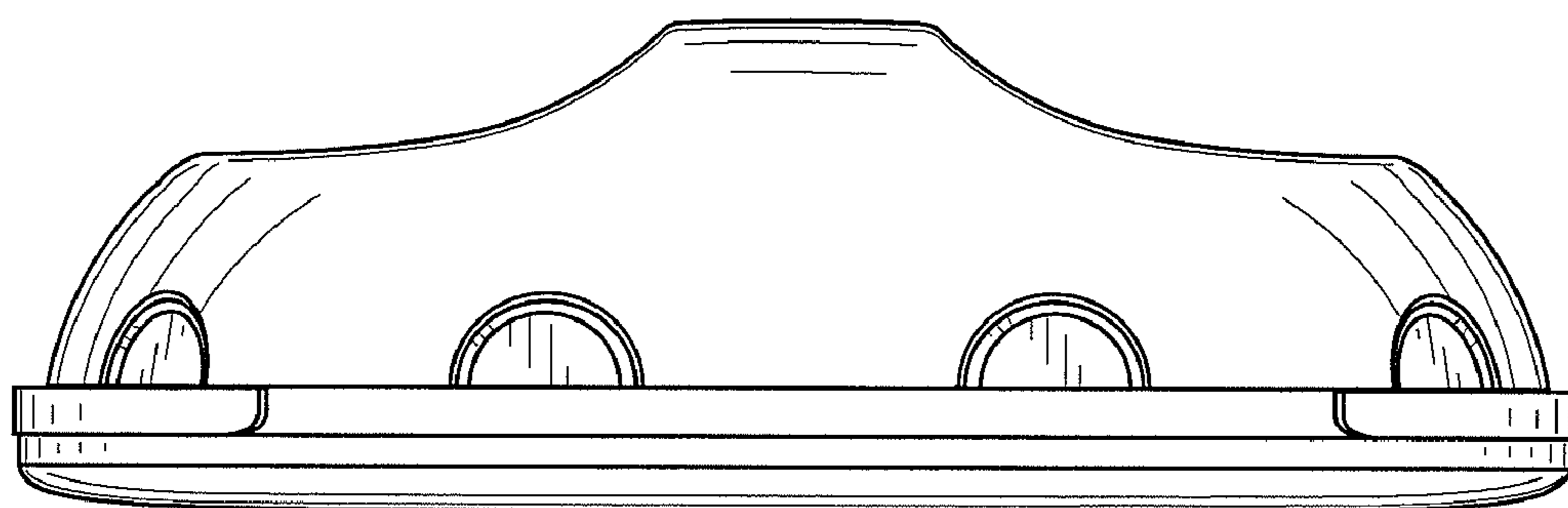
**FIG. 4**



**FIG. 5**



**FIG. 6**



**FIG. 7**