



US00D664242S

(12) **United States Design Patent**  
**Gao et al.**

(10) **Patent No.:** **US D664,242 S**  
(45) **Date of Patent:** **\*\* Jul. 24, 2012**

(54) **FAUCET HANDLE**

(75) Inventors: **Sissi Gao**, Fujian (CN); **Tony Zhang**,  
Xiamen (CN)

(73) Assignee: **Price Pfister, Inc.**, Lake Forest, CA (US)

(\*\*) Term: **14 Years**

(21) Appl. No.: **29/392,586**

(22) Filed: **May 24, 2011**

(51) **LOC (9) Cl.** ..... **23-02**

(52) **U.S. Cl.** ..... **D23/252**

(58) **Field of Classification Search** ..... D23/238-242,  
D23/250-252; 4/675-678; 137/801  
See application file for complete search history.

(56) **References Cited**

U.S. PATENT DOCUMENTS

D290,870 S \* 7/1987 Paul ..... D23/242  
D579,521 S \* 10/2008 Kulig ..... D23/238

\* cited by examiner

*Primary Examiner* — Robert Delehanty

(74) *Attorney, Agent, or Firm* — Richard J. Veltman; John D. Delponti

(57) **CLAIM**

The ornamental design for a faucet handle, as shown and described.

**DESCRIPTION**

FIG. 1 is a perspective view of a faucet handle showing a new design;

FIG. 2 is a front view thereof;

FIG. 3 is a back view thereof;

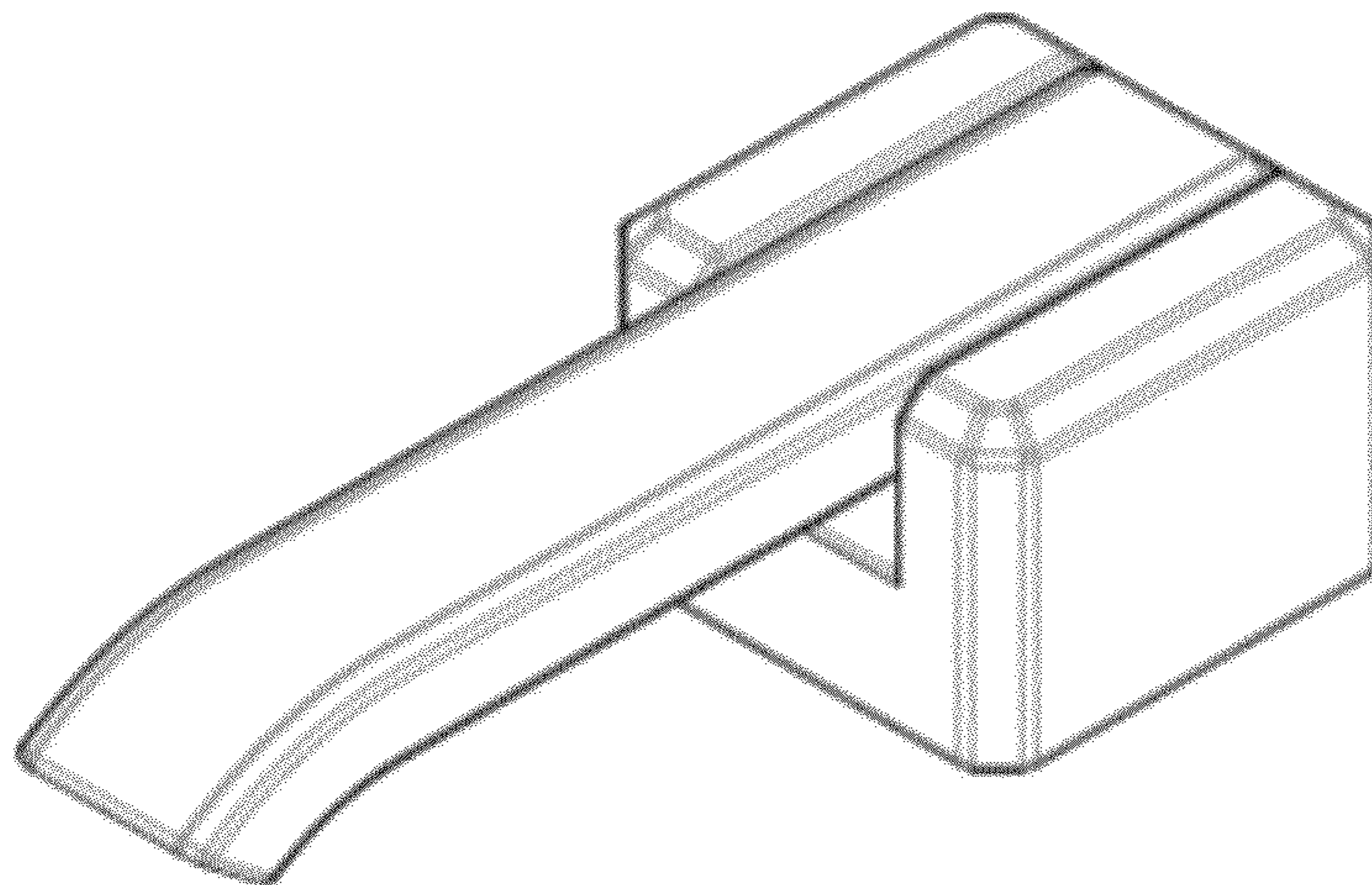
FIG. 4 is a top view thereof;

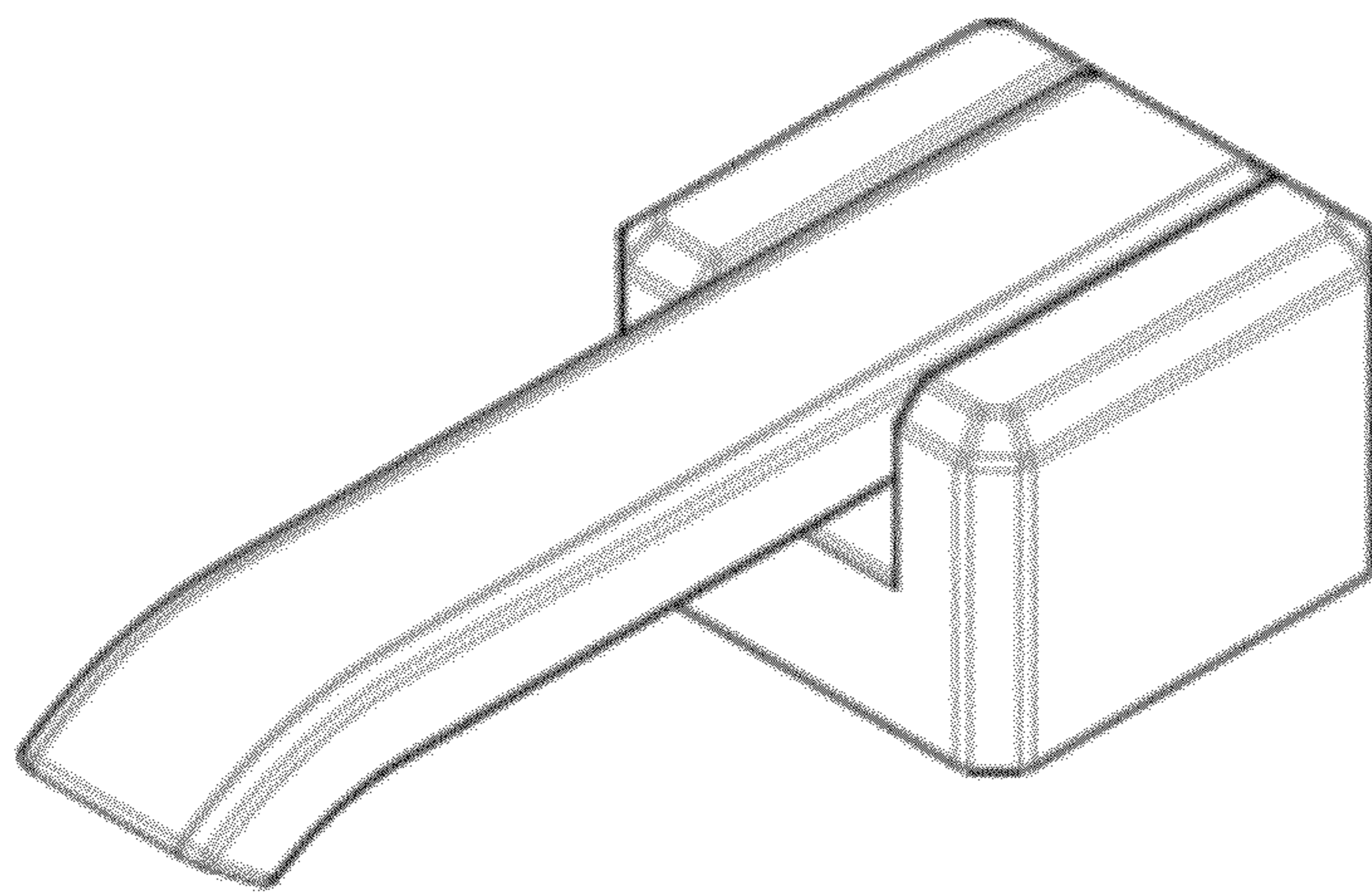
FIG. 5 is a bottom view thereof; and,

FIG. 6 is a left side view thereof, the right side view being a mirror image.

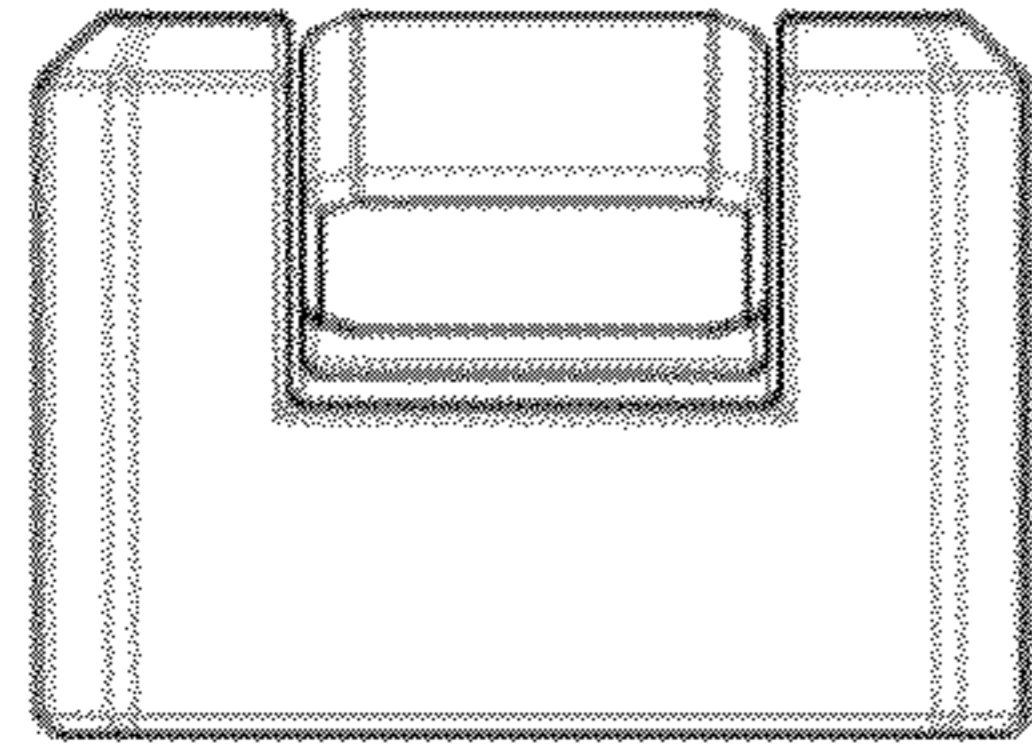
The broken lines in the Figures are for illustrative purposes only and form no part of the claimed design.

**1 Claim, 3 Drawing Sheets**

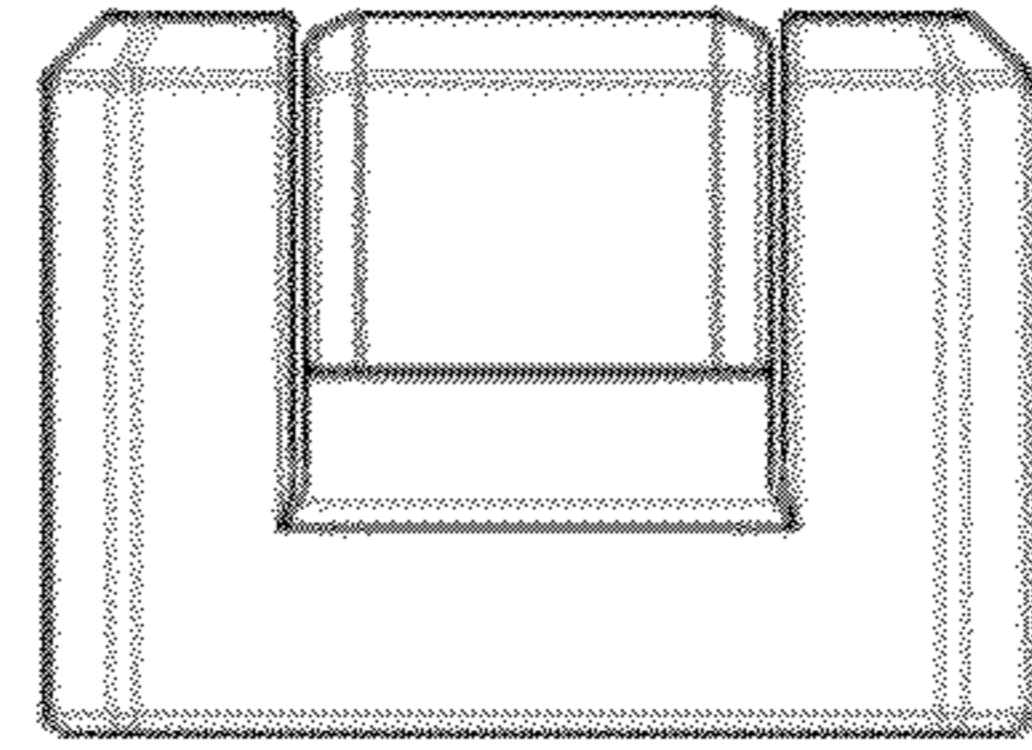




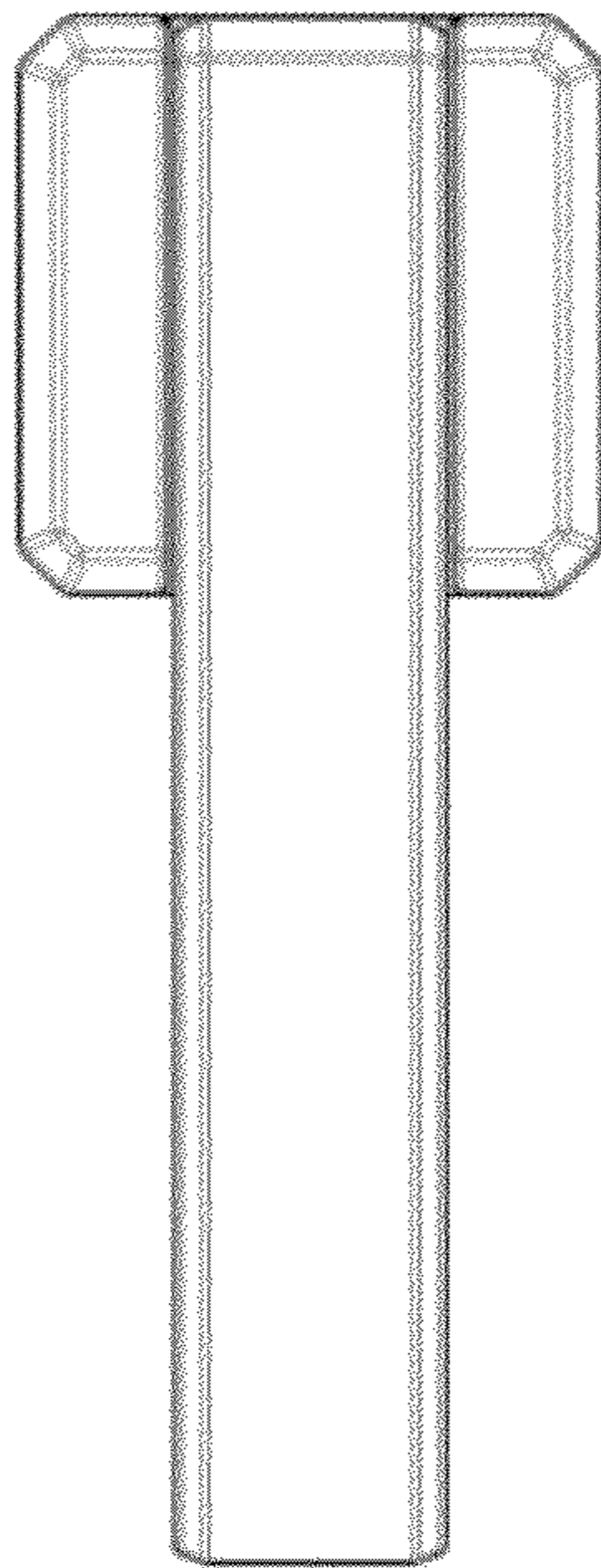
**FIG. 1**



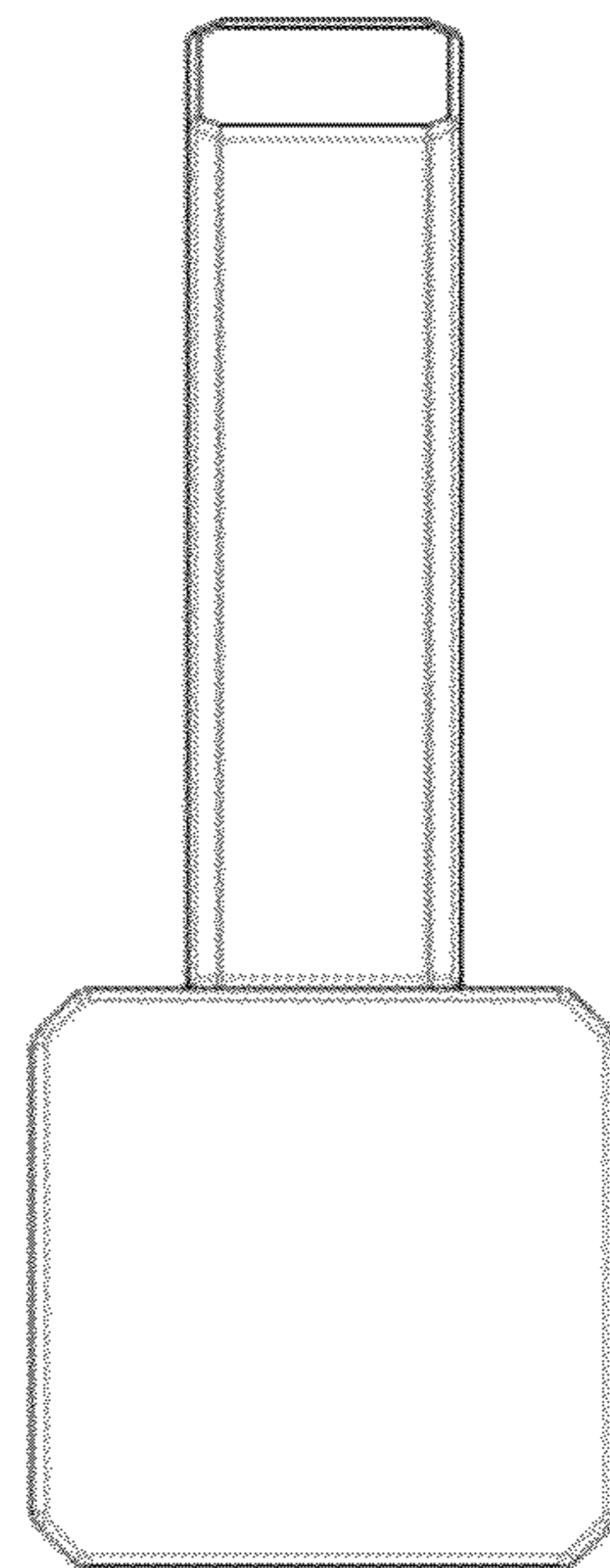
**FIG. 2**



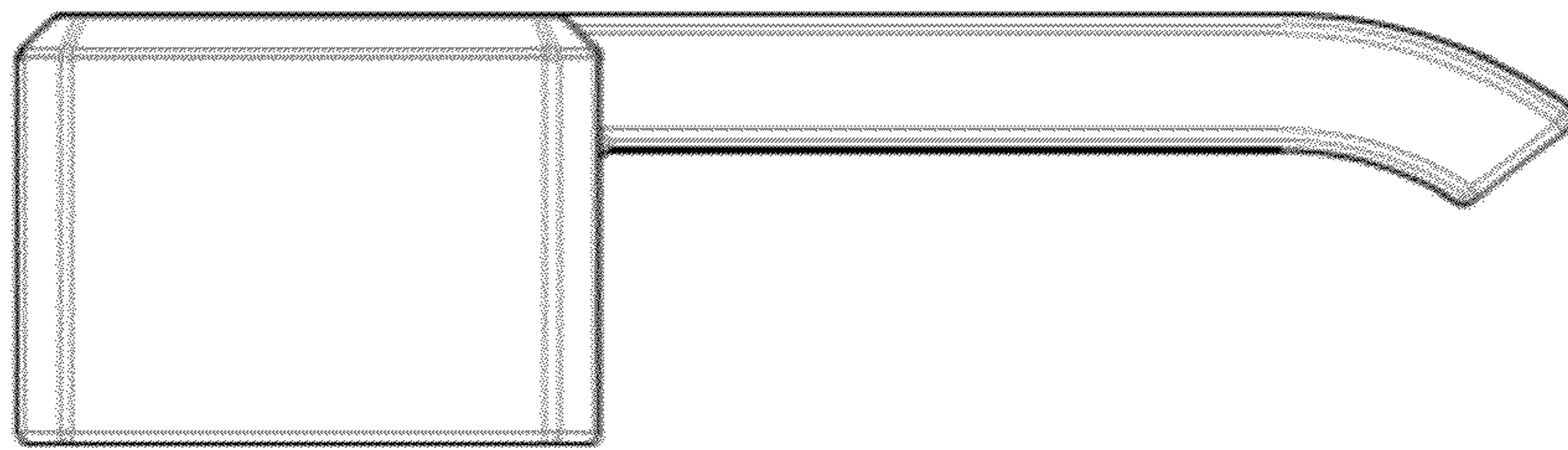
**FIG. 3**



**FIG. 4**



**FIG. 5**



**FIG. 6**