



US00D664238S

(12) **United States Design Patent**
Tang

(10) **Patent No.:** **US D664,238 S**

(45) **Date of Patent:** **** Jul. 24, 2012**

(54) **FAUCET**

(75) Inventor: **Taiying Tang**, Guangzhou province
(CN)

(73) Assignee: **Guang Zhou Seagull Kitchen and Bath
Products Co., Ltd**, Panyu District,
Guangzhou Province (CN)

(**) Term: **14 Years**

(21) Appl. No.: **29/398,234**

(22) Filed: **Jul. 28, 2011**

(30) **Foreign Application Priority Data**

Jan. 28, 2011 (CN) 2011 3 0017408

(51) **LOC (9) Cl.** **23-01**

(52) **U.S. Cl.** **D23/238**

(58) **Field of Classification Search** D23/238,
D23/241-243, 255, 257, 250; 4/675-378;
137/801

See application file for complete search history.

(56) **References Cited**

U.S. PATENT DOCUMENTS

D271,704 S *	12/1983	Paul	D23/238
D511,201 S *	11/2005	Kulig et al.	D23/238
D596,711 S *	7/2009	Sieger	D23/238
D601,227 S *	9/2009	Sieger	D23/242
D644,719 S *	9/2011	Vish et al.	D23/255

* cited by examiner

Primary Examiner — Robert Delehanty

(74) *Attorney, Agent, or Firm* — Collen IP; Donald J. Ranft

(57) **CLAIM**

The ornamental design for a faucet, as shown.

DESCRIPTION

FIG. 1 is a front view of a faucet showing our new design;

FIG. 2 is a rear view thereof;

FIG. 3 is a left side view thereof;

FIG. 4 is a right side view thereof;

FIG. 5 is a top view thereof;

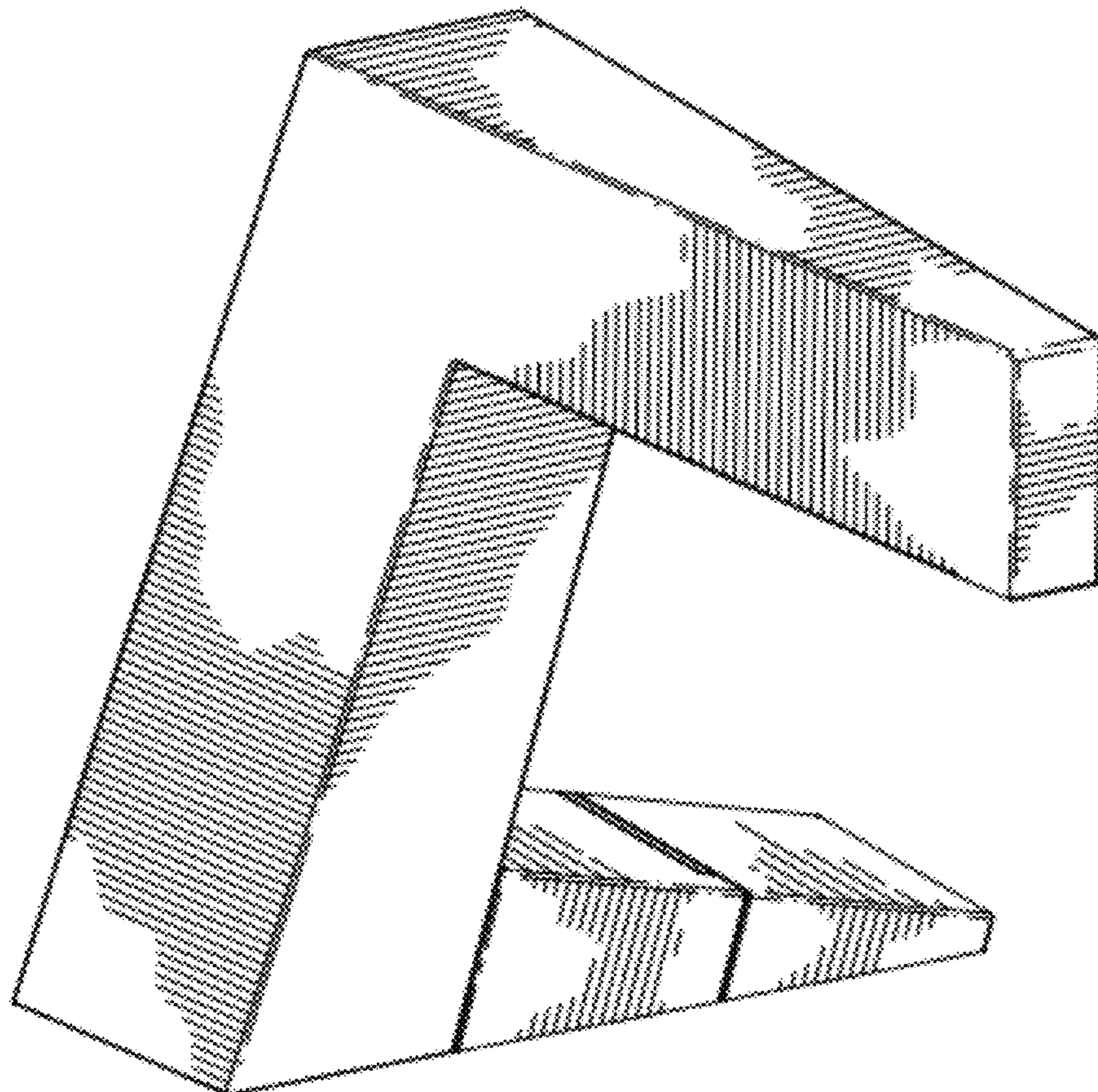
FIG. 6 is a perspective view thereof;

FIG. 7 is a perspective view thereof; and,

FIG. 8 is a bottom view thereof.

The portions of the faucet shown in broken lines form no part of the claimed design.

1 Claim, 6 Drawing Sheets



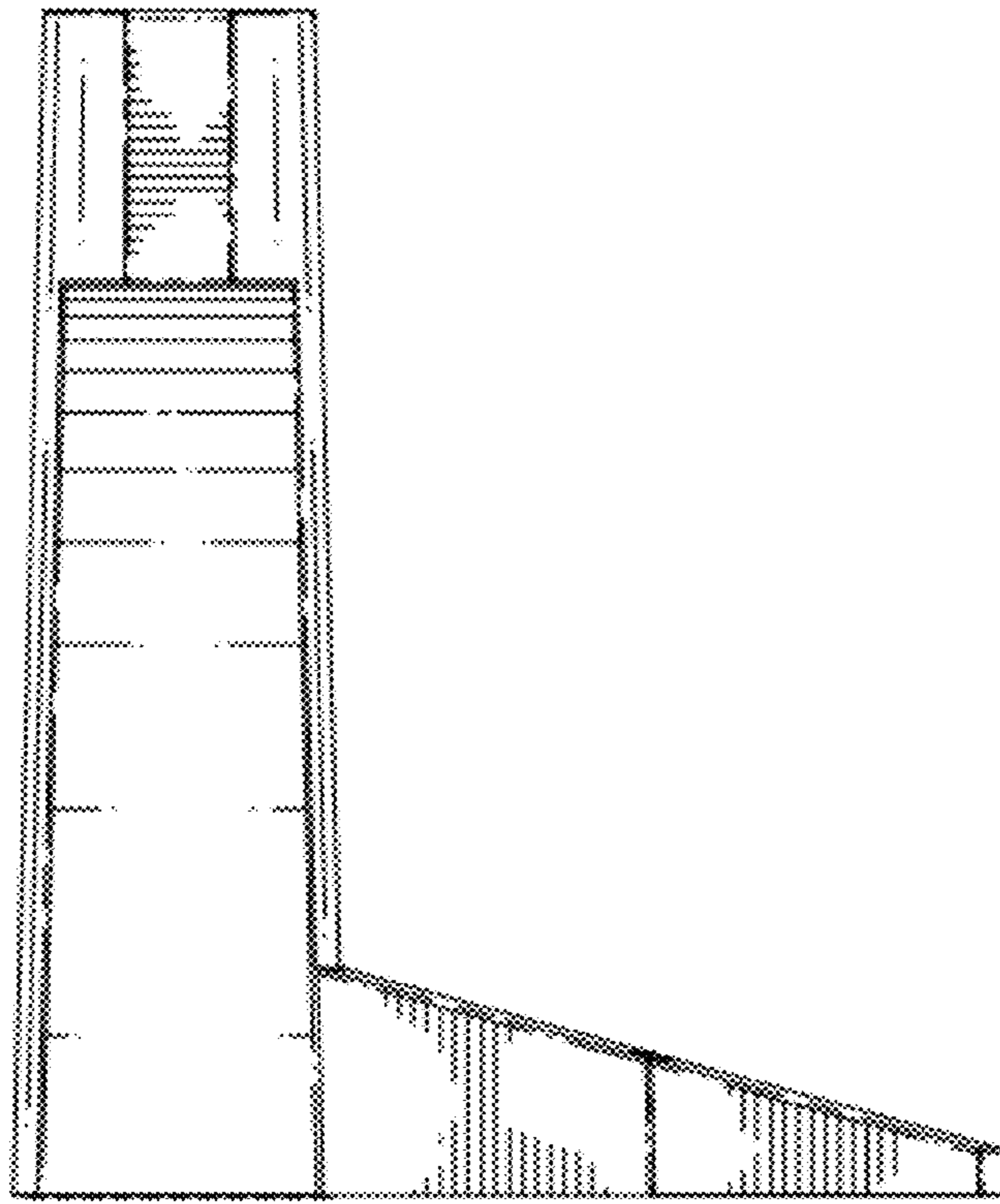


FIG. 1

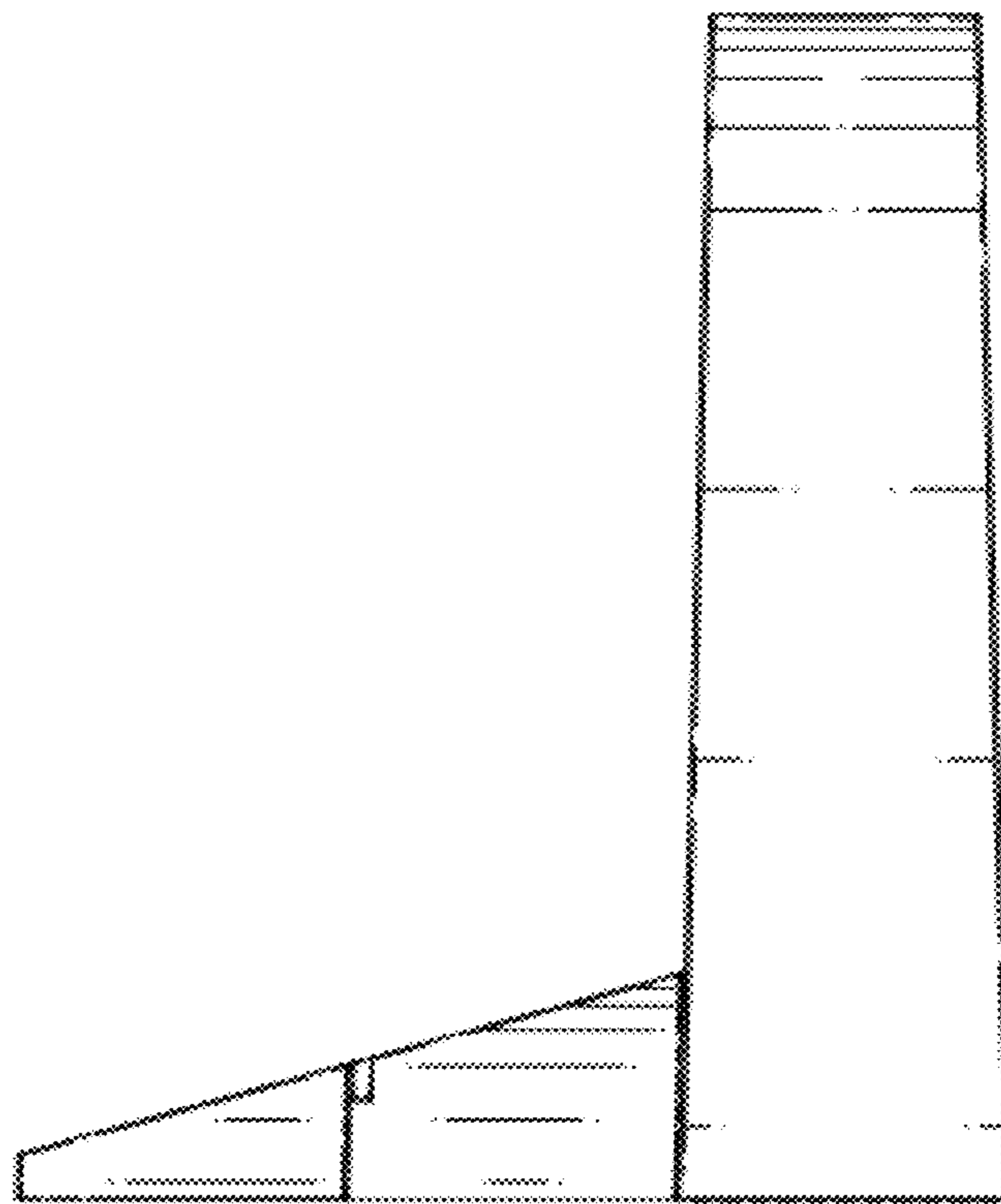


FIG. 2

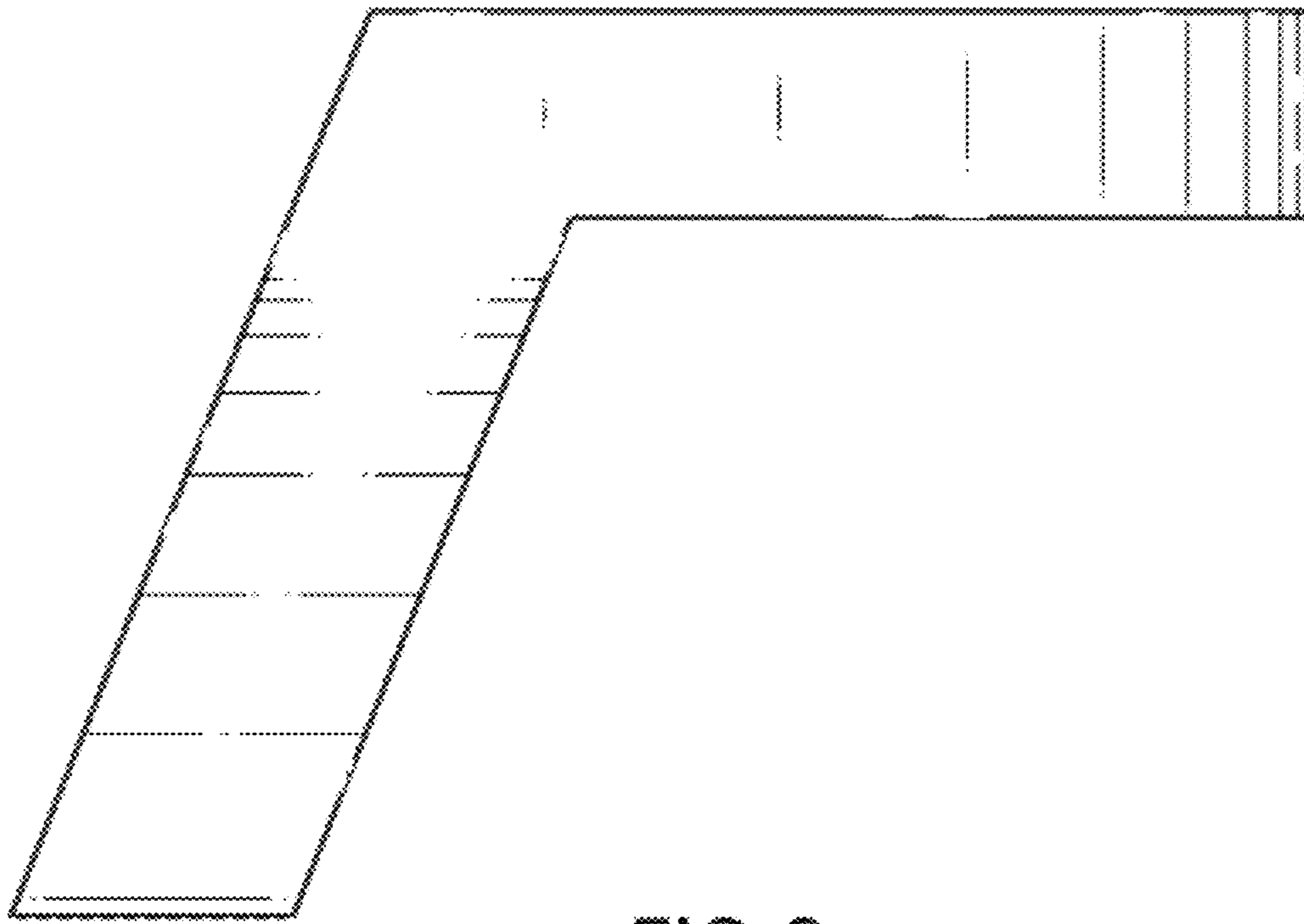


FIG. 3



FIG. 4

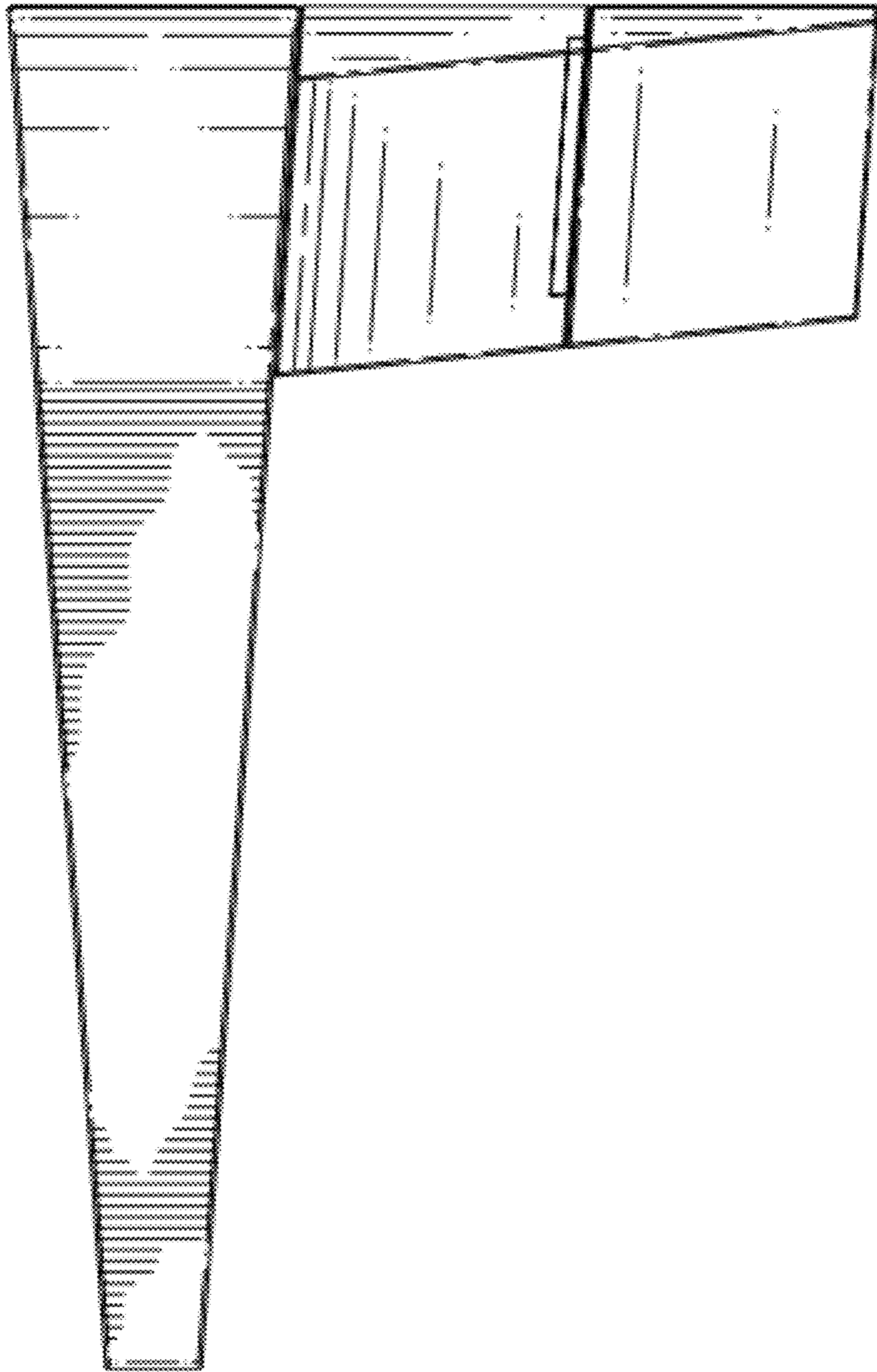


FIG. 5

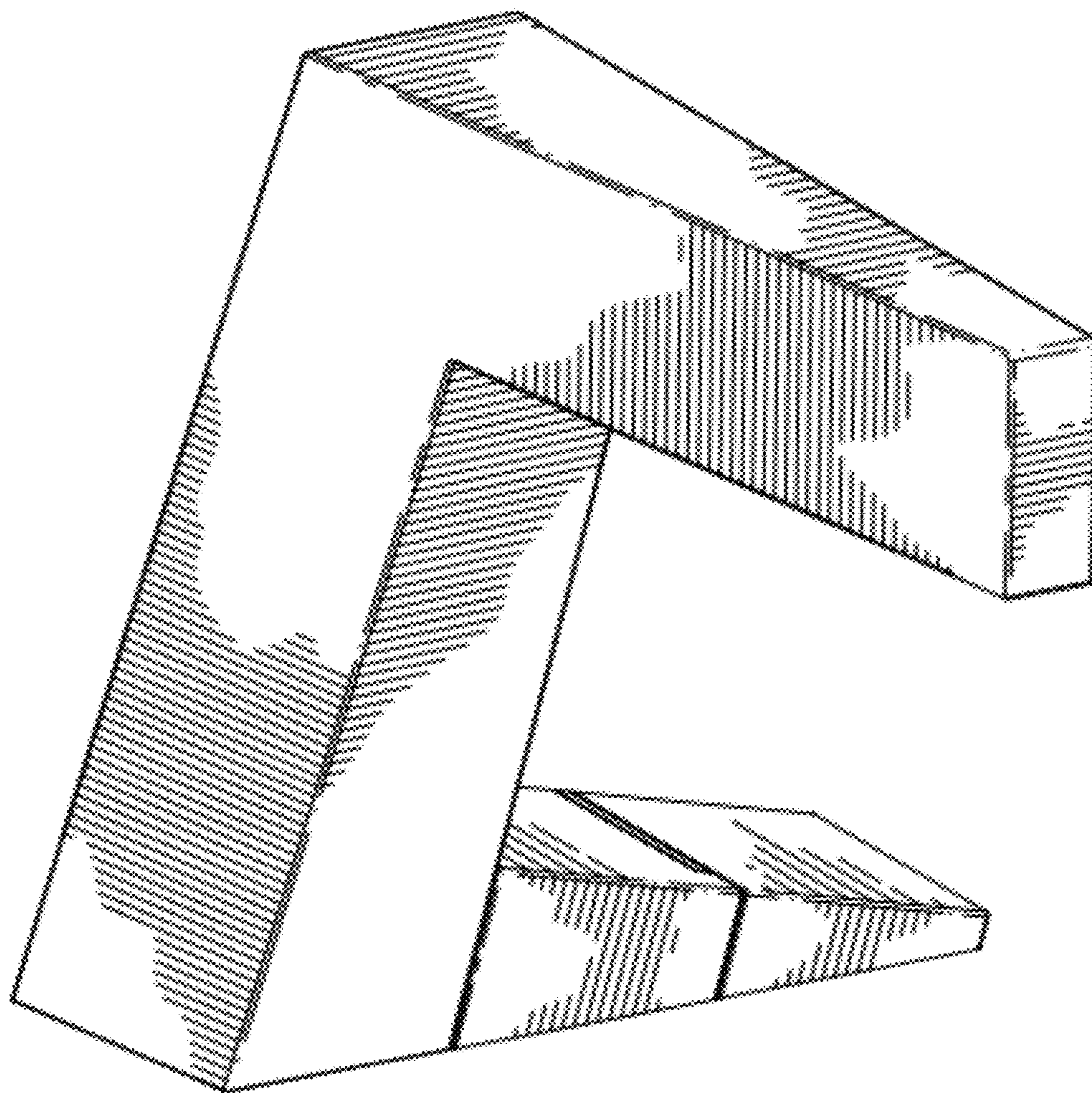


FIG. 6

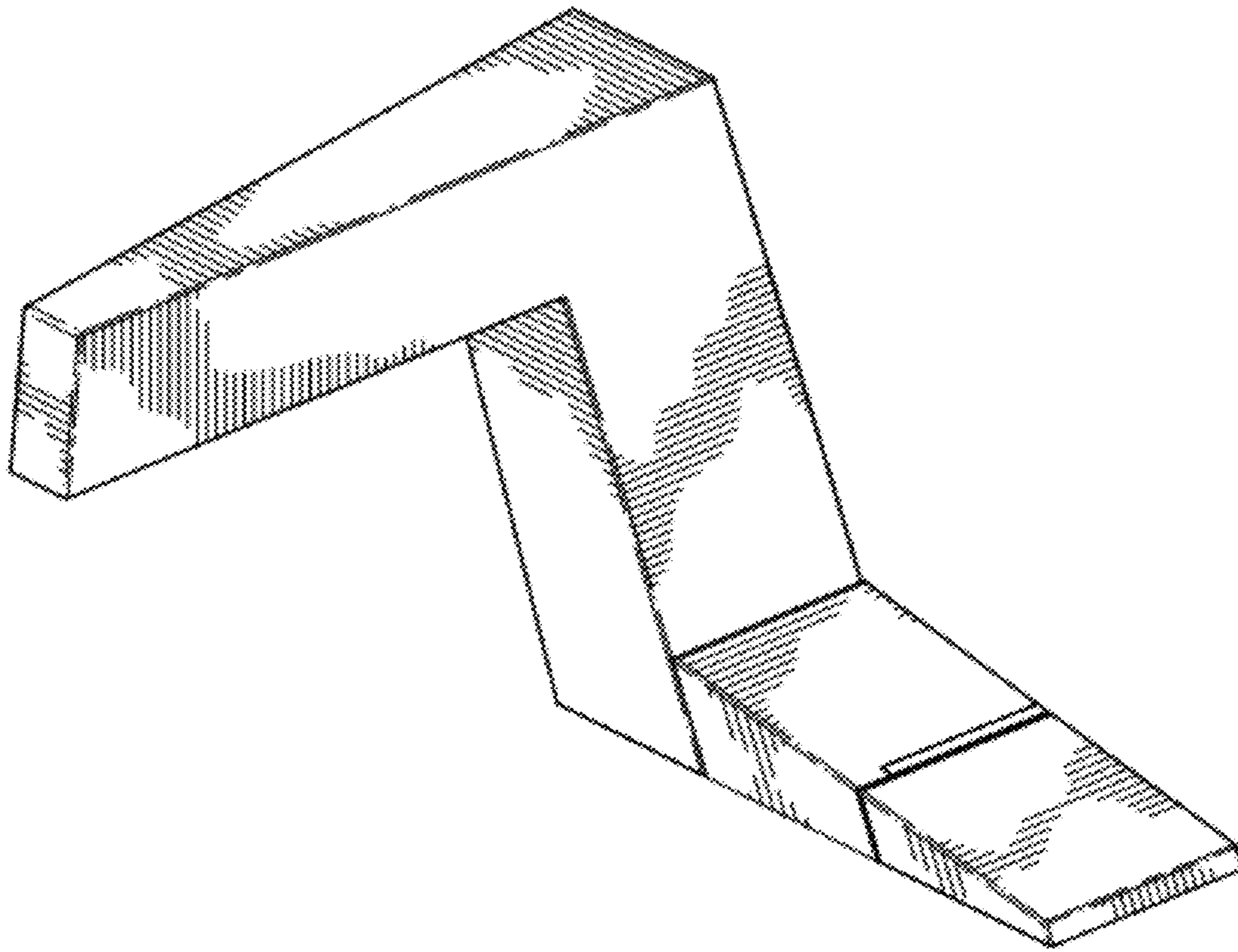


FIG. 7

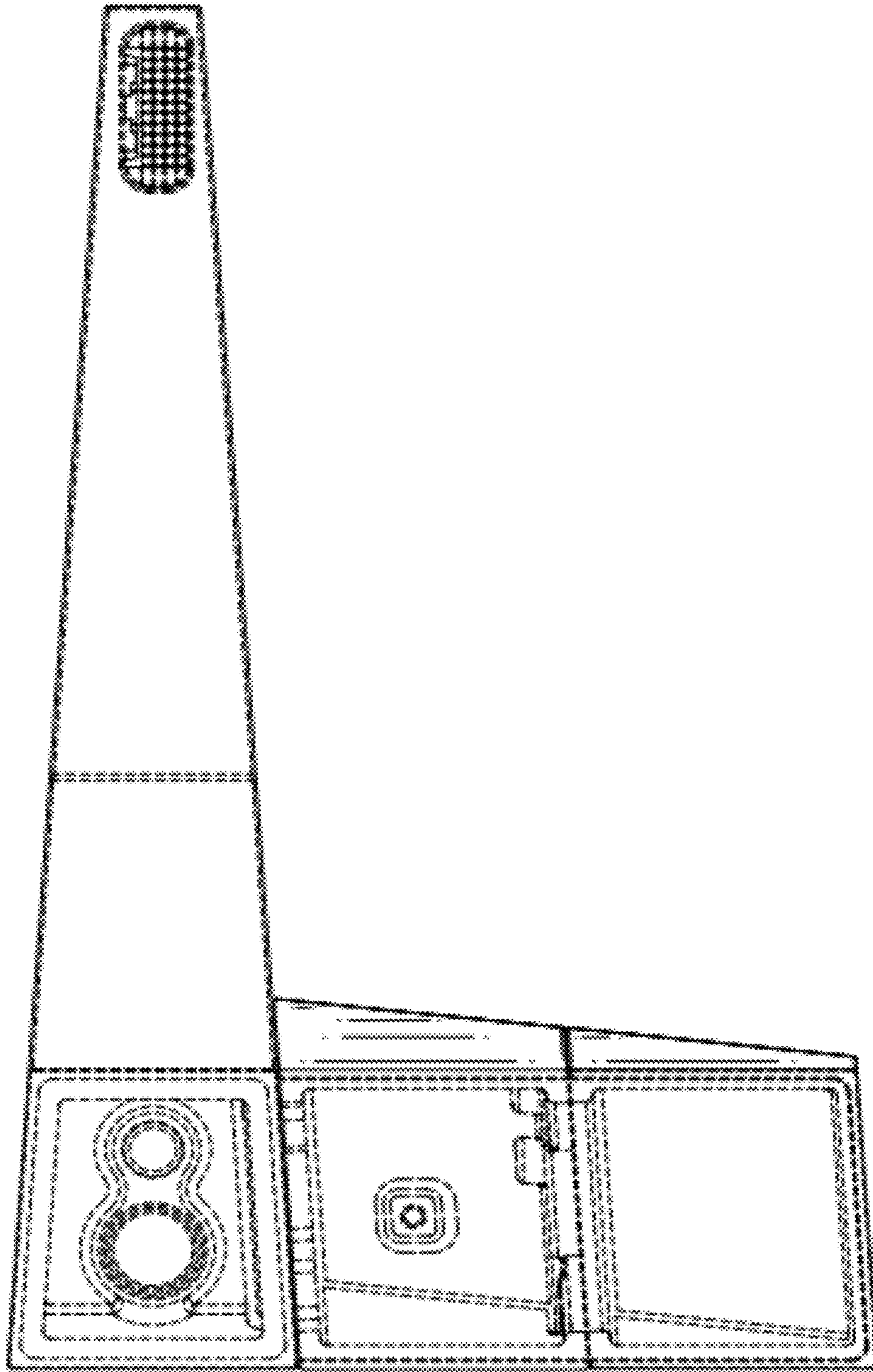


FIG. 8