

US00D664237S

(12) **United States Design Patent**
Sichien et al.

(10) **Patent No.:** **US D664,237 S**
(45) **Date of Patent:** **** Jul. 24, 2012**

(54) **FOAM DISPENSING GUN**

(75) Inventors: **Lieven Sichien**, Overmere (BE); **Koen Claerbout**, Drongen (BE)

(73) Assignee: **Altachem N.V.**, Denize (BE)

(**) Term: **14 Years**

(21) Appl. No.: **29/405,034**

(22) Filed: **Oct. 27, 2011**

(30) **Foreign Application Priority Data**

Aug. 30, 2011 (EM) 001910043-0001

(51) **LOC (9) Cl.** **23-01**

(52) **U.S. Cl.** **D23/226**

(58) **Field of Classification Search** D23/213,
D23/223, 226; D32/32; D8/14.1, 30; 239/332,
239/375, 526; 366/131, 336; 118/300, 308
See application file for complete search history.

(56) **References Cited**

U.S. PATENT DOCUMENTS

D567,333 S *	4/2008	Rigolio	D23/226
D567,901 S *	4/2008	Rigolio	D23/226
D567,903 S *	4/2008	Rigolio	D23/226
D568,963 S *	5/2008	Rigolio	D23/226
D574,464 S *	8/2008	Rigolio	D23/226
D591,397 S *	4/2009	Rigolio	D23/226
D642,660 S	8/2011	Sichien et al.		

FOREIGN PATENT DOCUMENTS

EM	000438692-001	11/2005
EM	000438692-002	11/2005
EM	000438692-003	11/2005
EM	000535000-001	5/2006
EM	000654595-001	1/2007
EM	000654595-002	1/2007
EM	000654595-003	1/2007
WO	DM/057325	9/2001
WO	DM/059732	4/2002

* cited by examiner

Primary Examiner — Robin Webster

(74) *Attorney, Agent, or Firm* — Christie, Parker & Hale, LLP

(57) **CLAIM**

The ornamental design for foam dispensing gun, as shown and described.

DESCRIPTION

FIG. 1 is a right side perspective view of a foam dispensing gun;
FIG. 2 is a right side view of the foam dispensing gun, the left side being a mirror image of the right side;
FIG. 3 is a front view of the foam dispensing gun;
FIG. 4 is a back view of the foam dispensing gun;
FIG. 5 is a top view of the foam dispensing gun; and,
FIG. 6 is a bottom view of the foam dispensing gun.

1 Claim, 2 Drawing Sheets

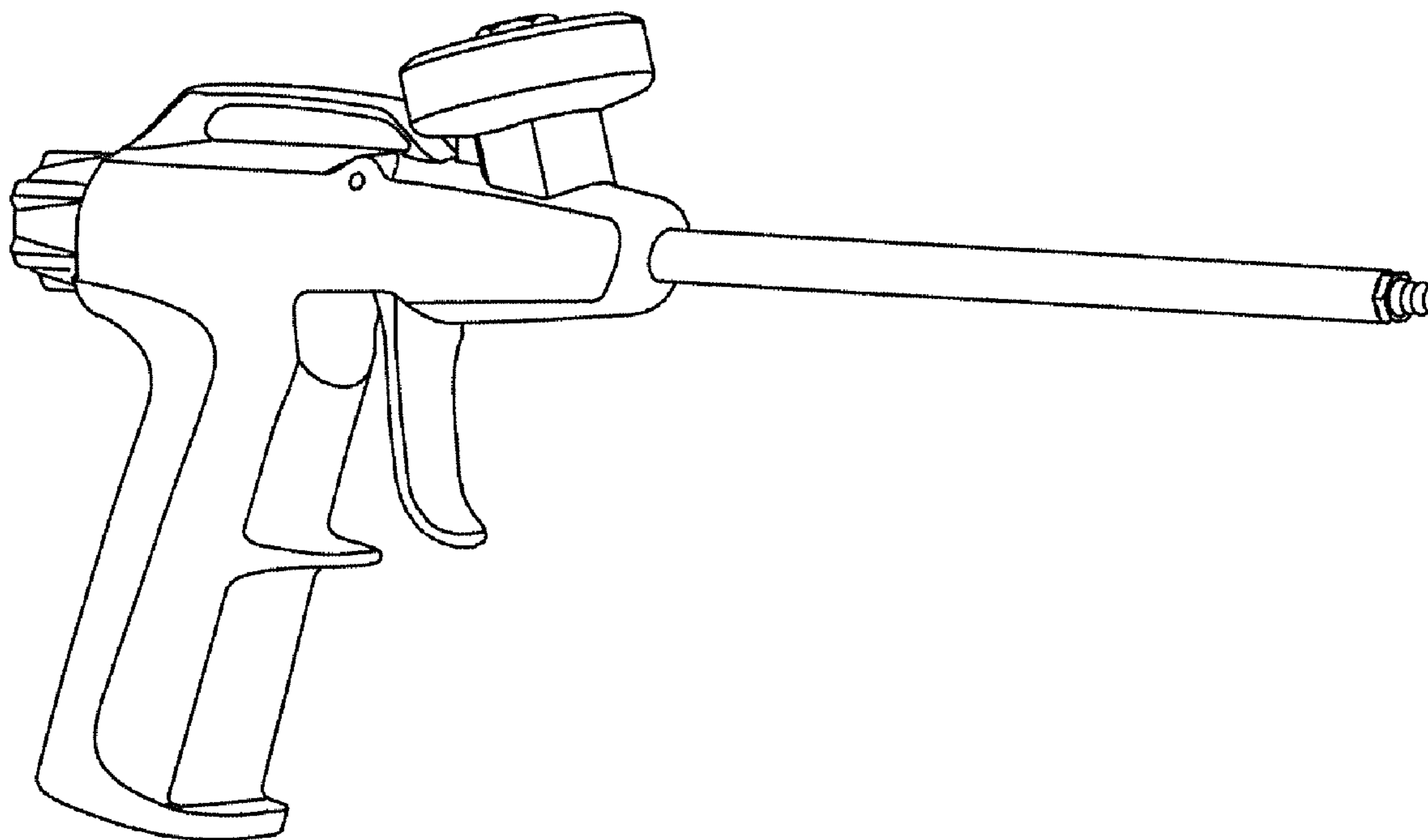


FIG. 1

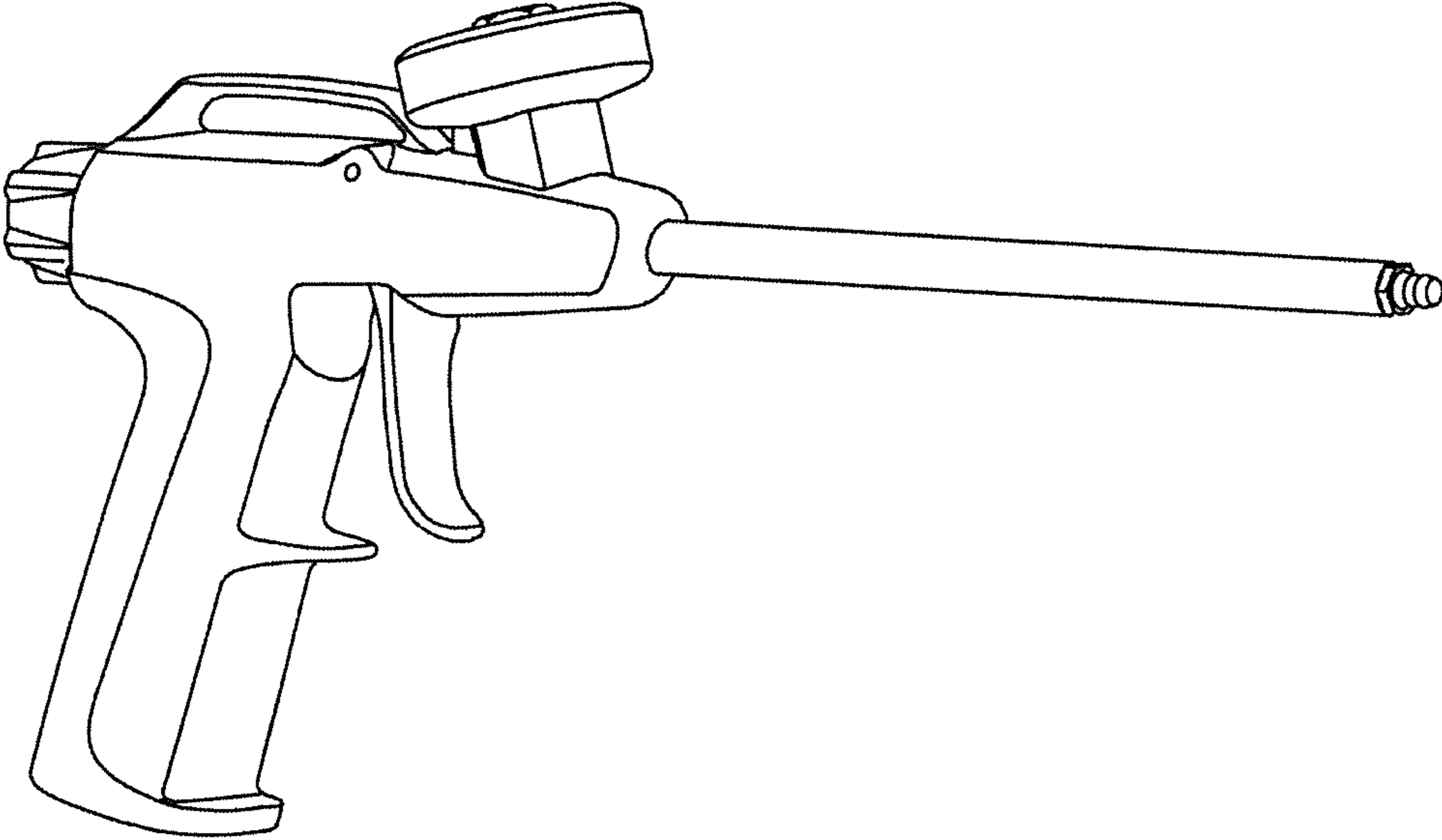


FIG. 2

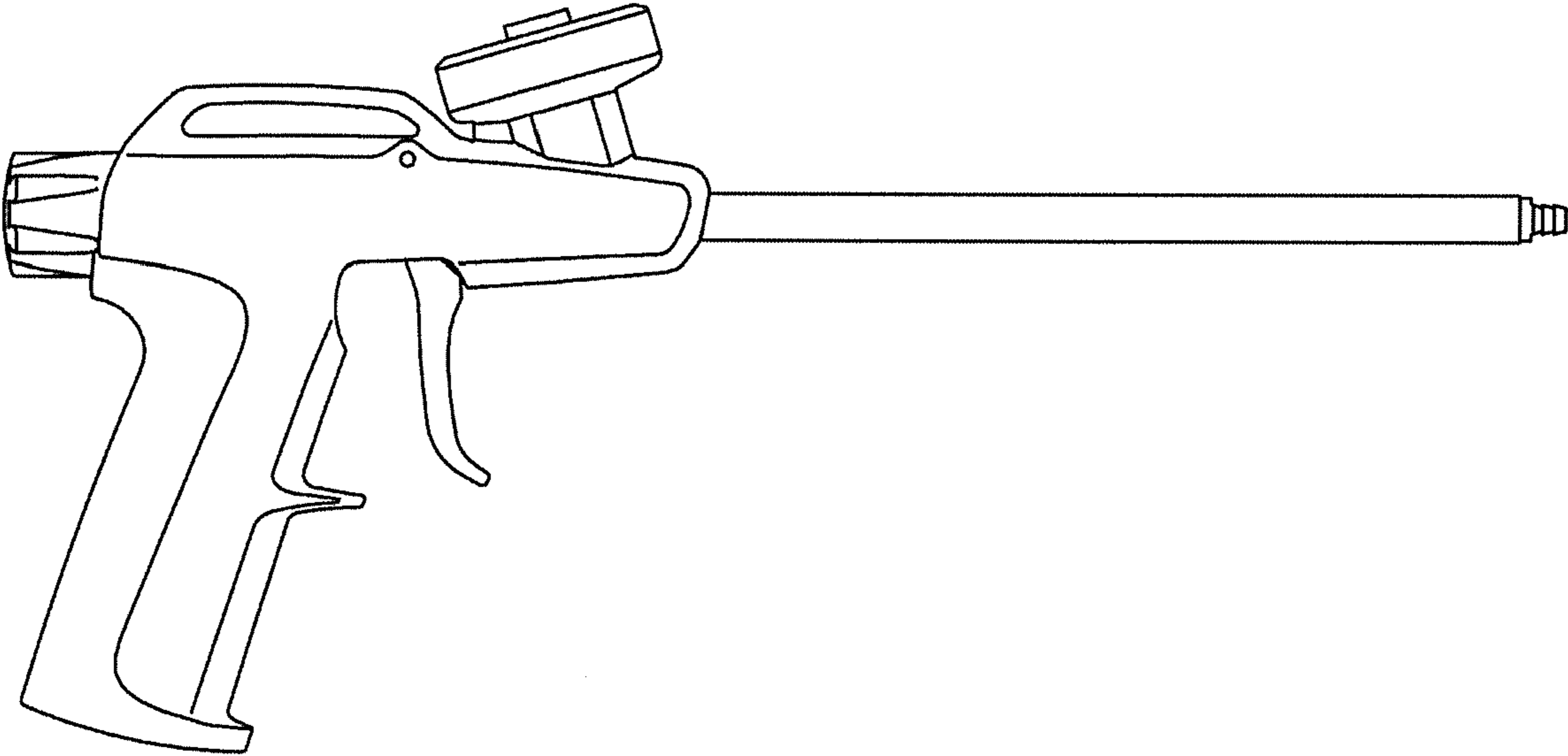


FIG. 3

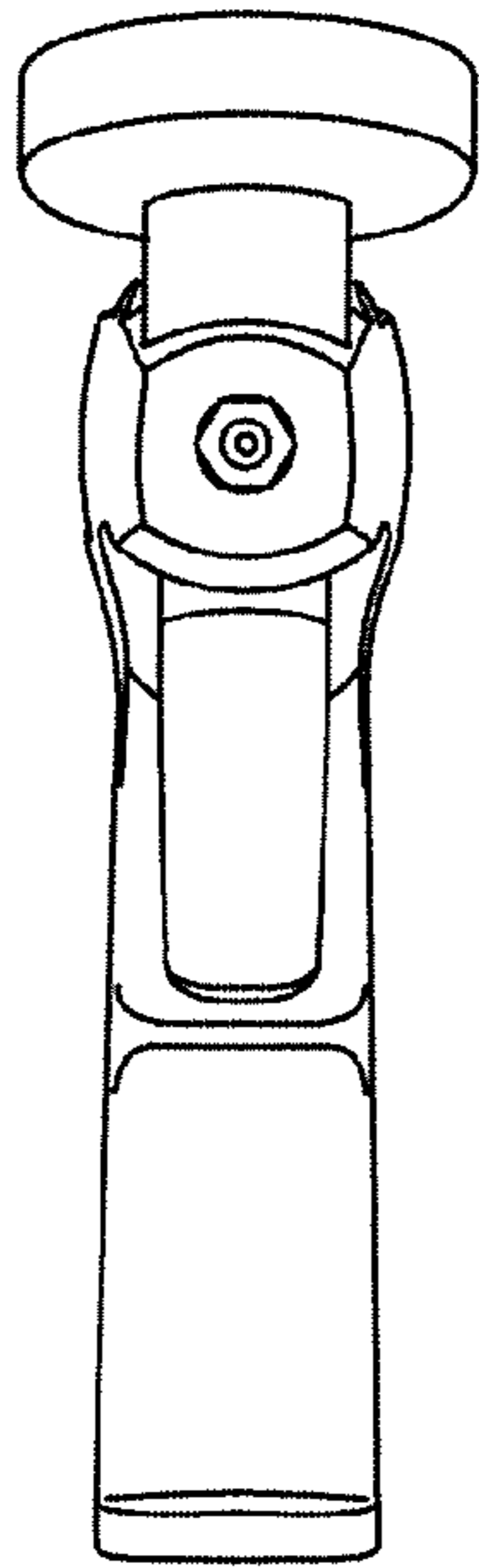


FIG. 4

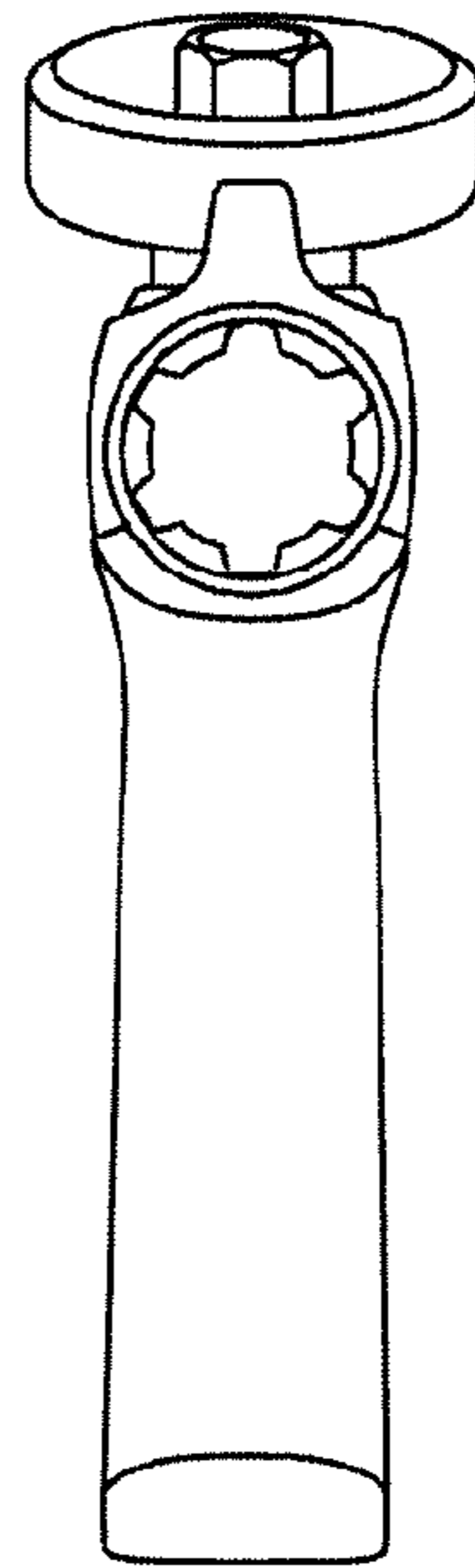


FIG. 5

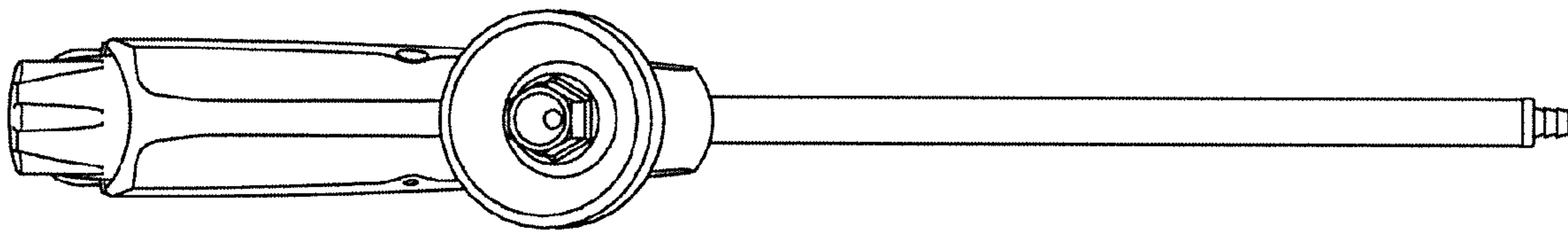


FIG. 6

