

US00D664234S

(12) **United States Design Patent**
Nierenberg

(10) **Patent No.:** **US D664,234 S**

(45) **Date of Patent:** **** Jul. 24, 2012**

(54) **COMPETITION THUMB GRIP FOR A GUN**

(76) Inventor: **R. Chester Nierenberg**, Honolulu, HI
(US)

(**) Term: **14 Years**

(21) Appl. No.: **29/405,202**

(22) Filed: **Oct. 31, 2011**

Related U.S. Application Data

(62) Division of application No. 29/376,744, filed on Oct. 11, 2010, now abandoned.

(51) **LOC (9) Cl.** **22-01**

(52) **U.S. Cl.** **D22/108; D22/104**

(58) **Field of Classification Search** D22/100,
D22/101, 103, 104, 108, 199; D21/572,
D21/573; 42/51, 71.01, 75.01, 75.02, 90,
42/94, 134, 136, 139, 125, 72, 111; 362/110;
89/40.06, 41.19, 37.04, 33.04, 191.01, 200-204;
124/67, 66, 72, 74; 248/682-693, 560-592
See application file for complete search history.

(56) **References Cited**

U.S. PATENT DOCUMENTS

1,940,362 A * 12/1933 McClarin, Sr. 42/71.02
1,962,775 A * 6/1934 Jones 42/71.02

D142,016 S * 8/1945 Birk D22/104
2,903,810 A * 9/1959 Lewis 42/71.02
2010/0294904 A1 * 11/2010 Dittmer et al. 248/220.22

* cited by examiner

Primary Examiner — Michael Pratt

(74) *Attorney, Agent, or Firm* — Leighton K. Chong

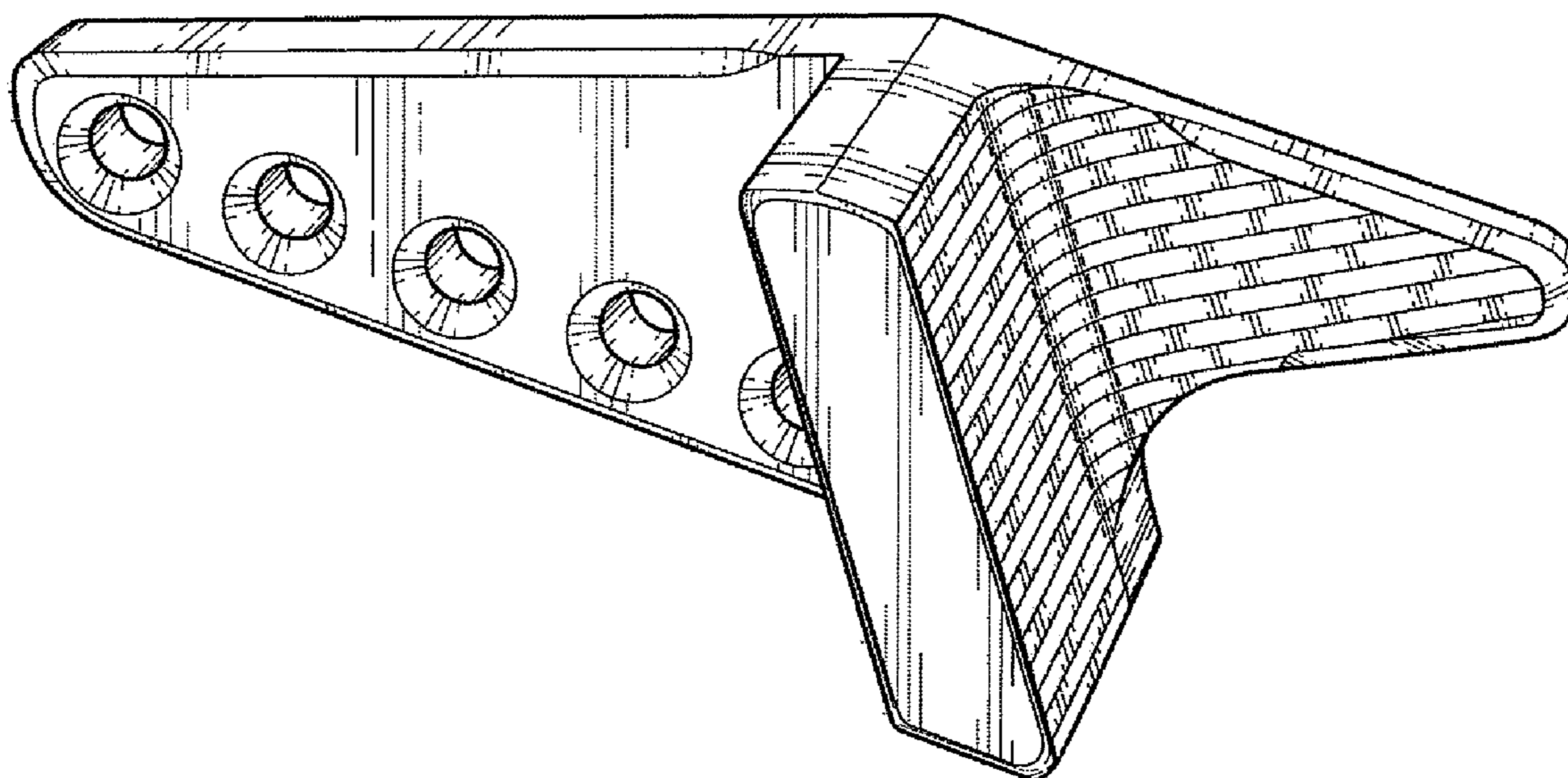
(57) **CLAIM**

The ornamental design for a competition thumb grip for a gun, as shown and described.

DESCRIPTION

FIG. 1 is a perspective view of my new design for a competition thumb grip for a gun having a monolithic wing with precision alignment and shape for the thumb pad; FIG. 2 is a left side elevation view of the article shown in FIG. 1; FIG. 3 is a right side elevation view of the article shown in FIG. 1; FIG. 4 is a front end view of the article shown in FIG. 1; FIG. 5 is a rear end view of the article shown in FIG. 1; FIG. 6 is a top view of the article shown in FIG. 1; FIG. 7 is a bottom view of the article shown in FIG. 1; and, FIG. 8 is a side perspective view of the article shown in FIG. 1 mounted in its intended environment of use (in phantom lines) on the left side of a gun in proximity to the trigger for a right-handed user.

1 Claim, 5 Drawing Sheets



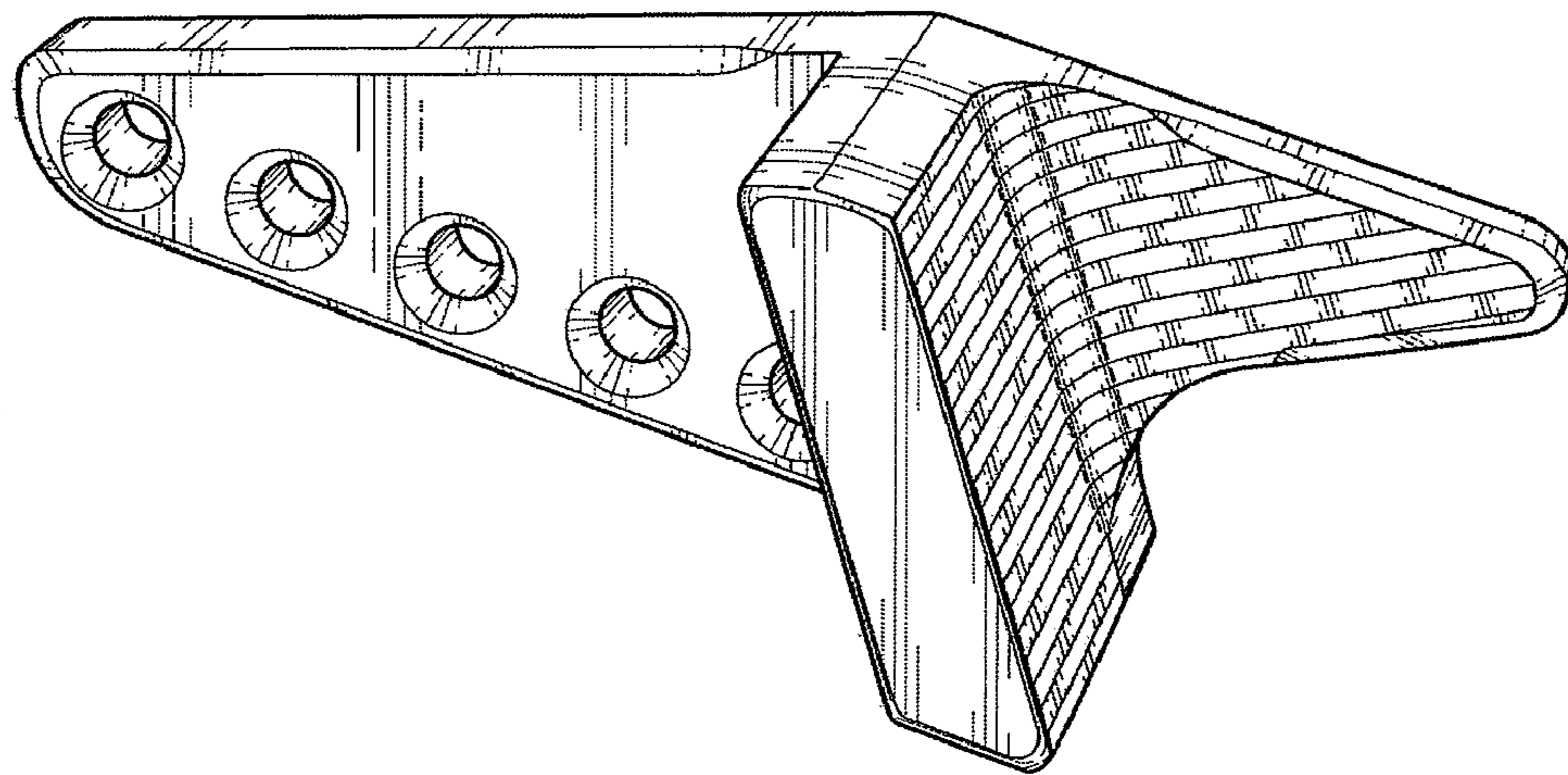


FIG. 1

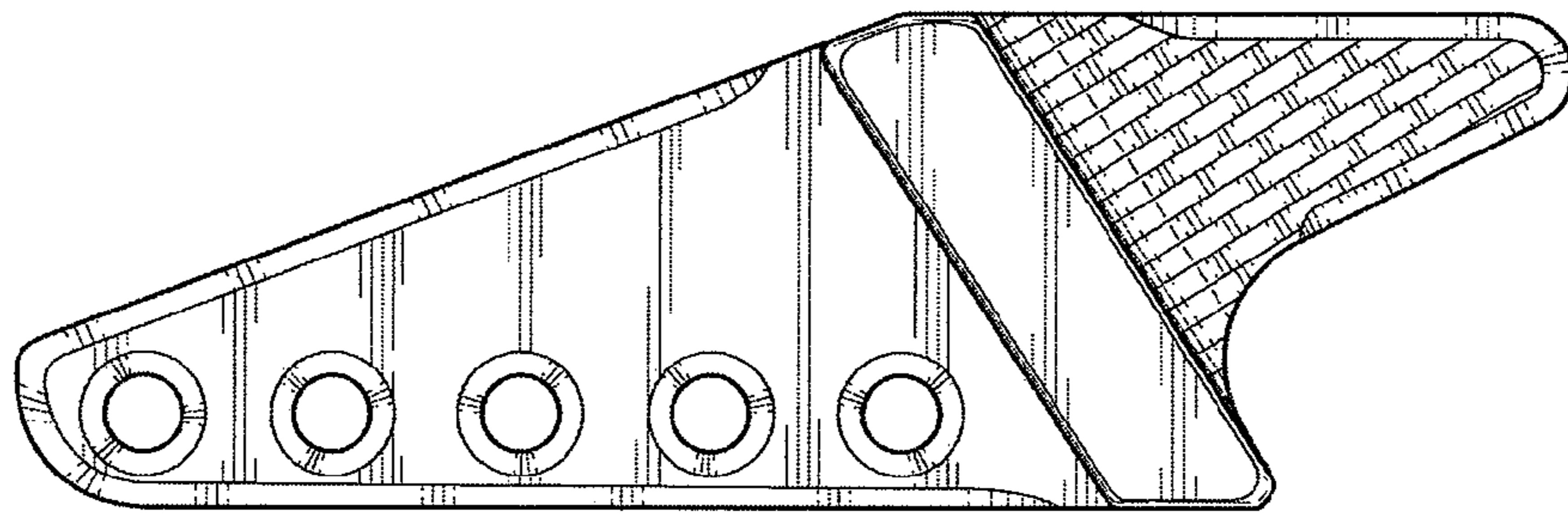


FIG. 2

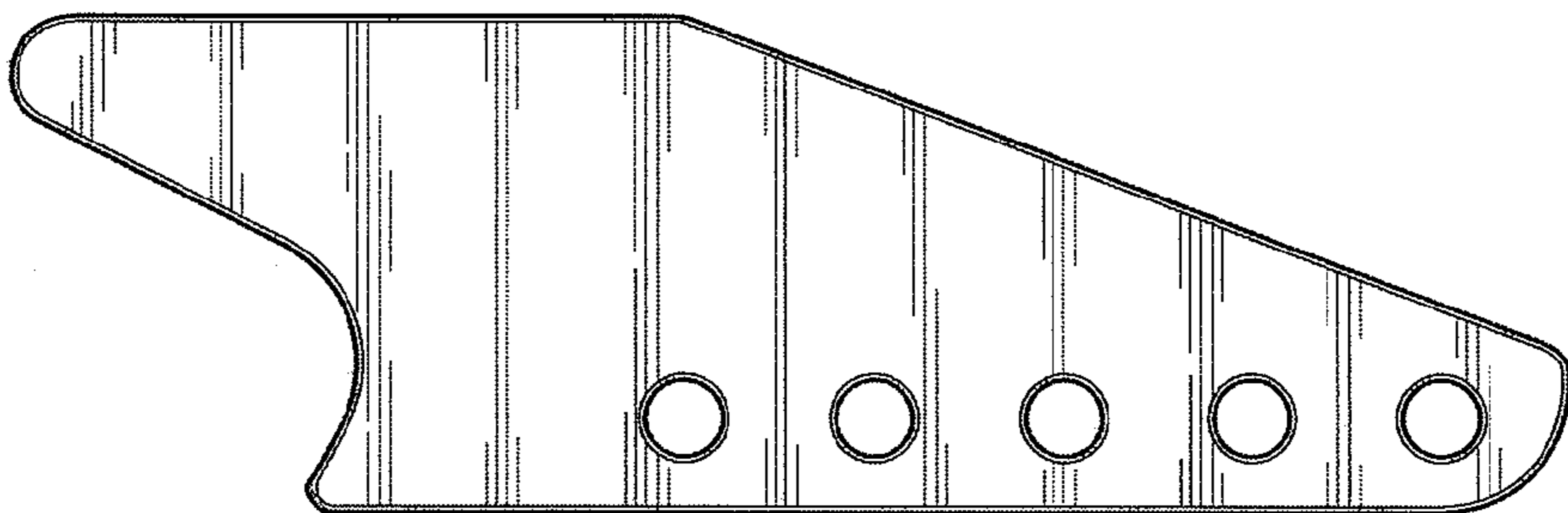


FIG. 3

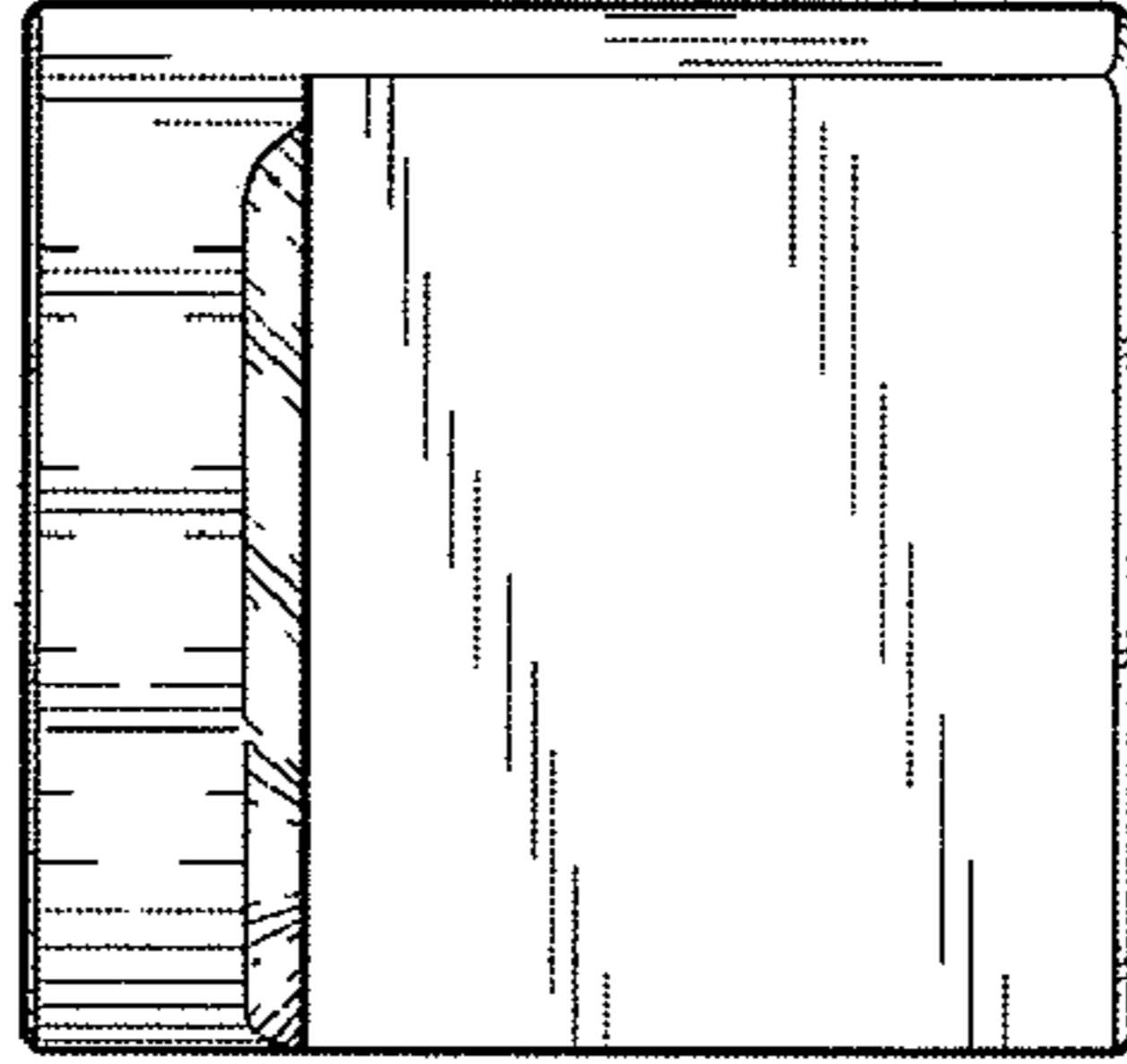


FIG. 4

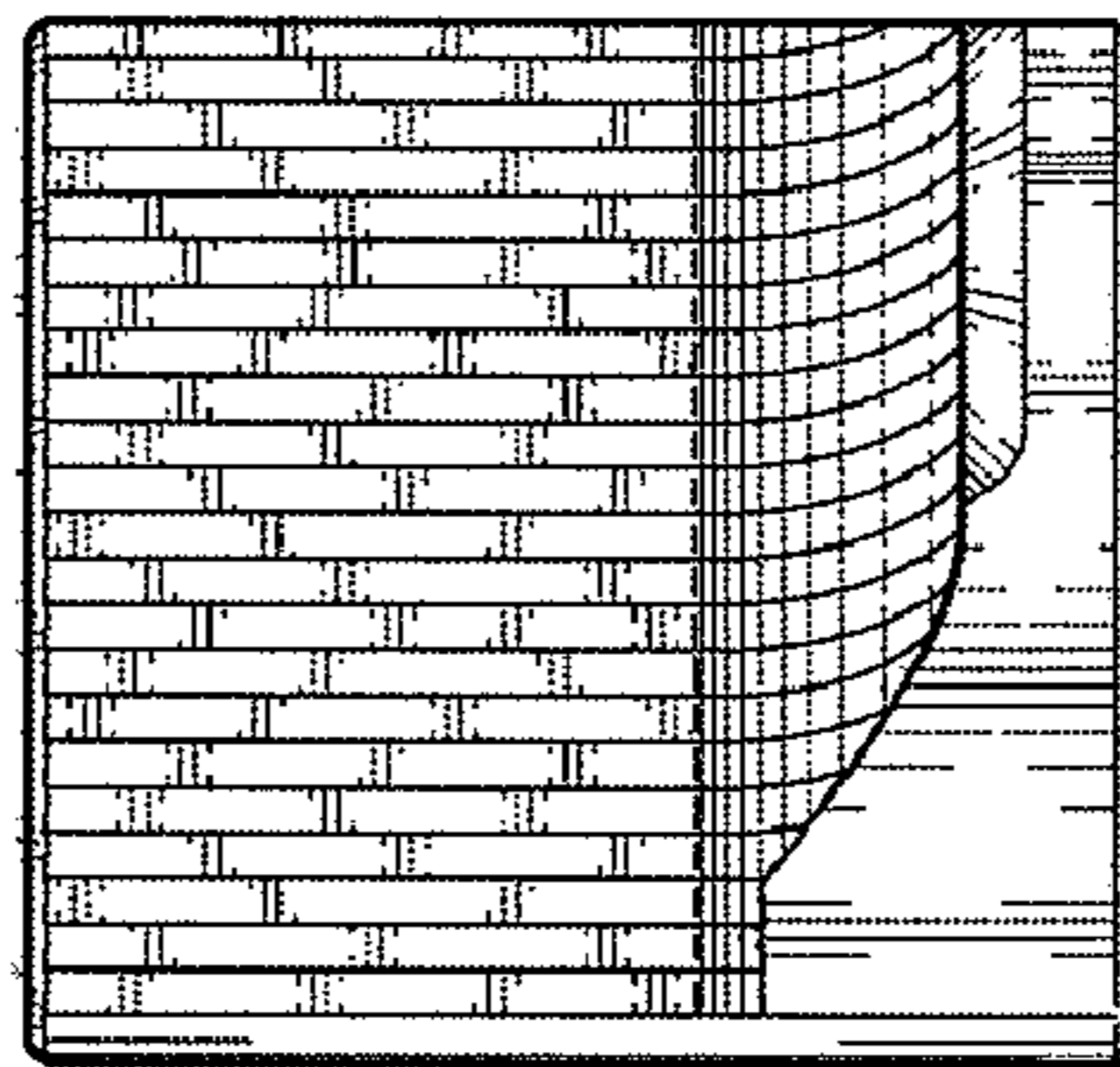


FIG. 5

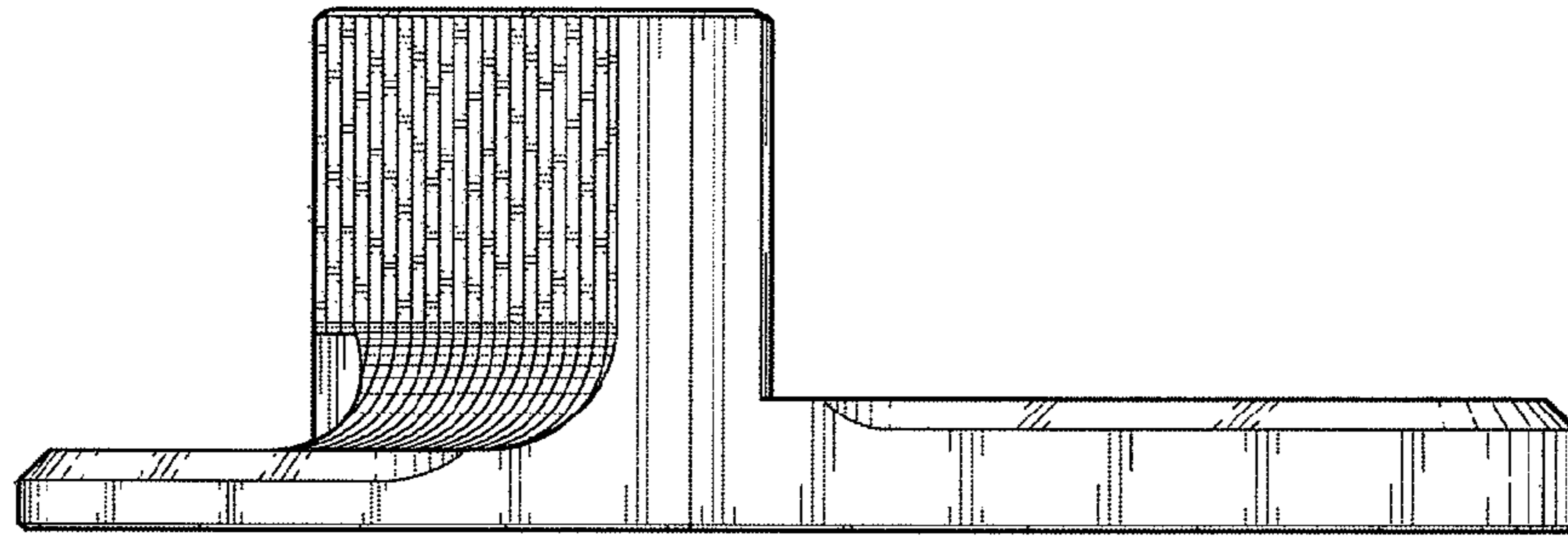


FIG. 6

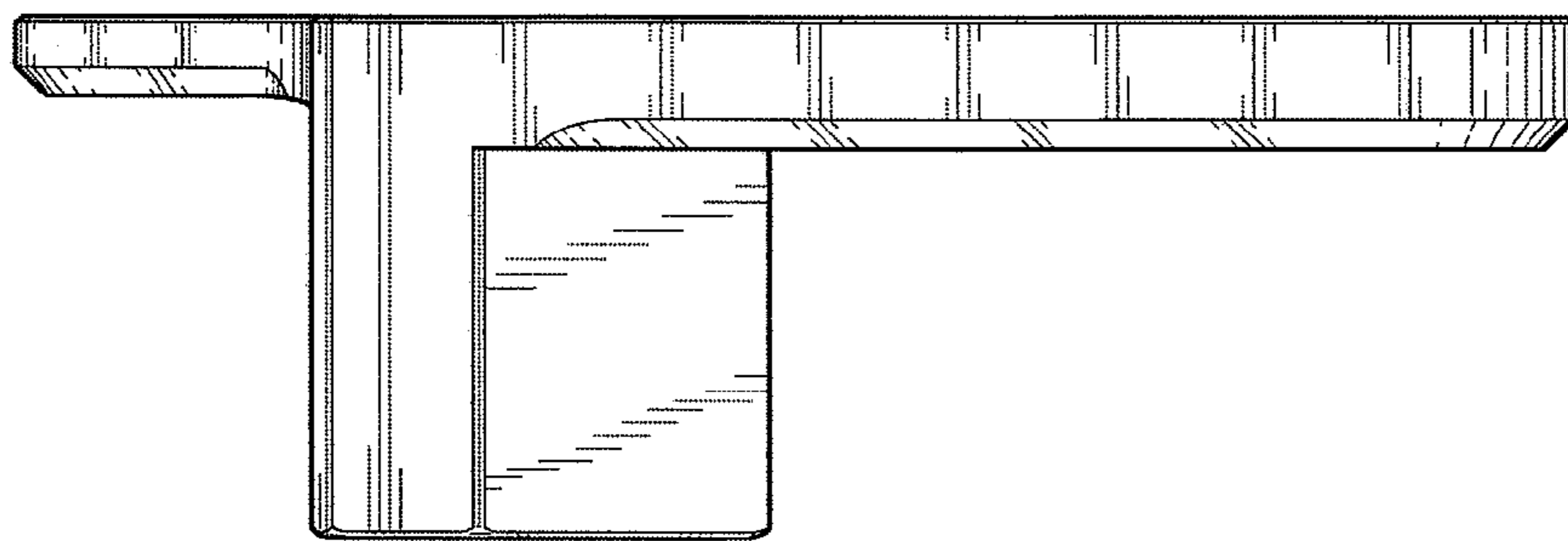


FIG. 7

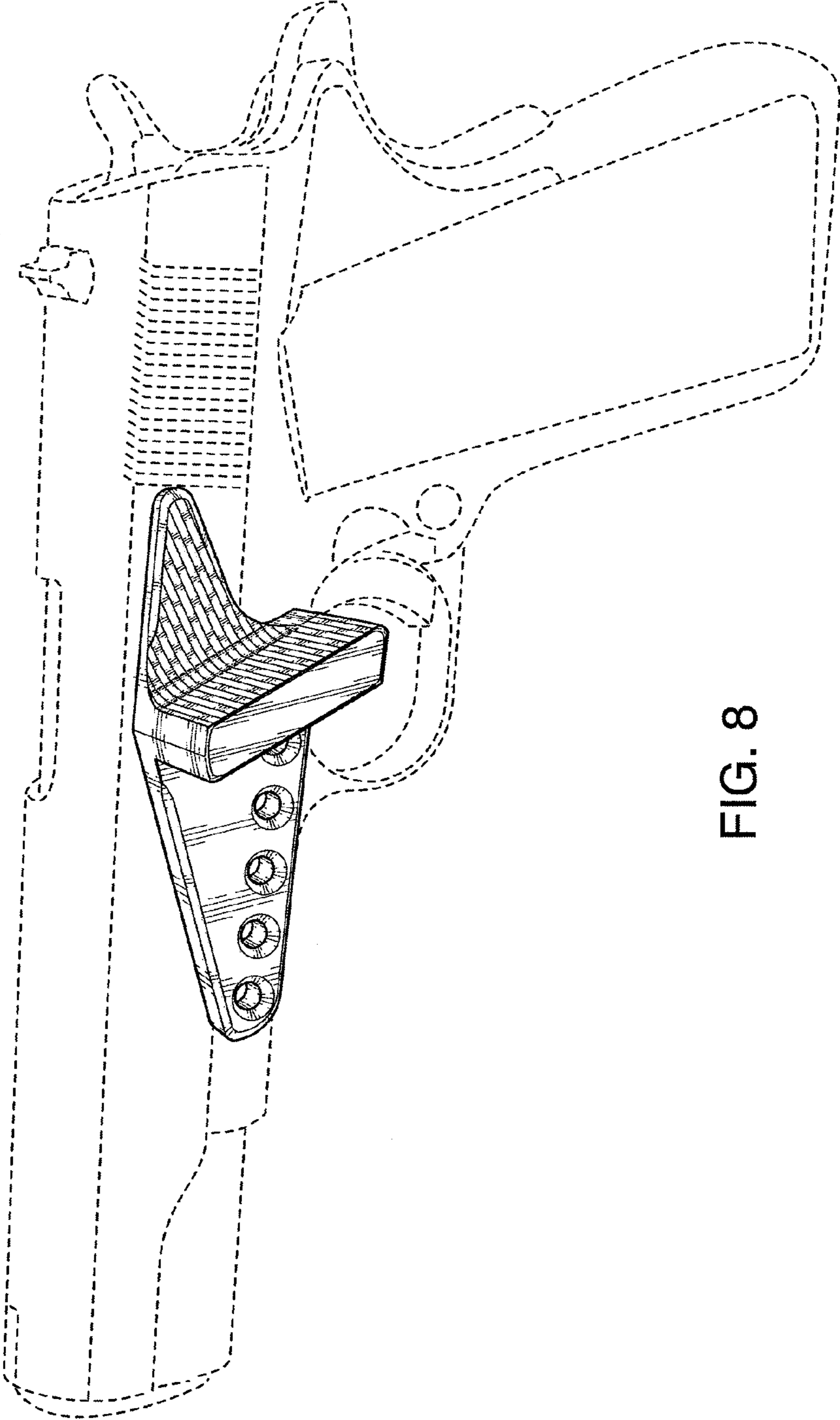


FIG. 8