



US00D664233S

(12) **United States Design Patent**
Heidkamp et al.

(10) **Patent No.:** **US D664,233 S**

(45) **Date of Patent:** **** Jul. 24, 2012**

(54) **CLAMP-ON RIFLE SLING CONNECTOR**

(76) Inventors: **Bret Heidkamp**, Bozeman, MT (US);
Steve Nettik, Bozeman, MT (US)

(**) Term: **14 Years**

(21) Appl. No.: **29/383,218**

(22) Filed: **Jan. 13, 2011**

(51) **LOC (9) Cl.** **22-01**

(52) **U.S. Cl.** **D22/108**

(58) **Field of Classification Search** D22/108,
D22/199; D29/101.1, 108; D3/214, 215,
D3/221, 262, 327-328; 224/149, 150, 157-160,
224/190, 250, 257, 258, 575, 586, 913; 42/85,
42/94; D8/349, 367; 24/2.5

See application file for complete search history.

(56) **References Cited**

U.S. PATENT DOCUMENTS

7,398,616	B1 *	7/2008	Weir	42/73
7,562,481	B2 *	7/2009	Esch	42/85
D636,836	S *	4/2011	Fitzpatrick et al.	D22/108
2010/0162609	A1 *	7/2010	Rogers et al.	42/85

2010/0287808 A1* 11/2010 King 42/85
2011/0017788 A1* 1/2011 Haley et al. 224/150

* cited by examiner

Primary Examiner — Michael Pratt

(74) *Attorney, Agent, or Firm* — QuickPatents, Inc.; Kevin Prince

(57) **CLAIM**

We claim the ornamental design for a clamp-on rifle sling connector, as shown and described.

DESCRIPTION

FIG. 1 is a perspective view of a clamp-on rifle sling connector, showing the new design;

FIG. 2 is a front elevational view thereof;

FIG. 3 is a rear elevational view thereof;

FIG. 4 is a right-side elevational view thereof;

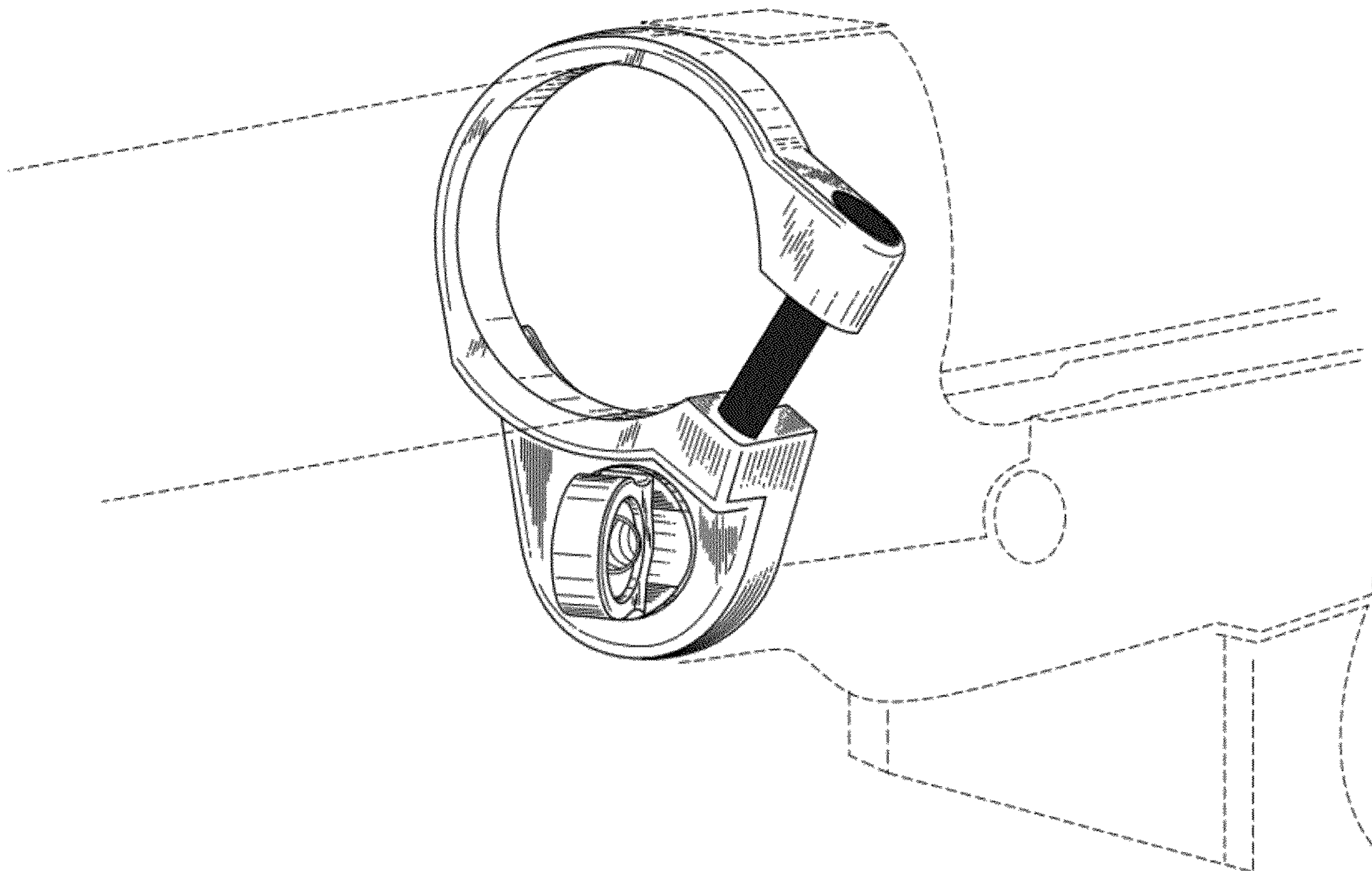
FIG. 5 is a left-side elevational view thereof;

FIG. 6 is a top plan view thereof; and,

FIG. 7 is a bottom plan view thereof.

The broken lines in the figures depict elements of the clamp-on rifle sling connector that form no part of the claimed design.

1 Claim, 3 Drawing Sheets



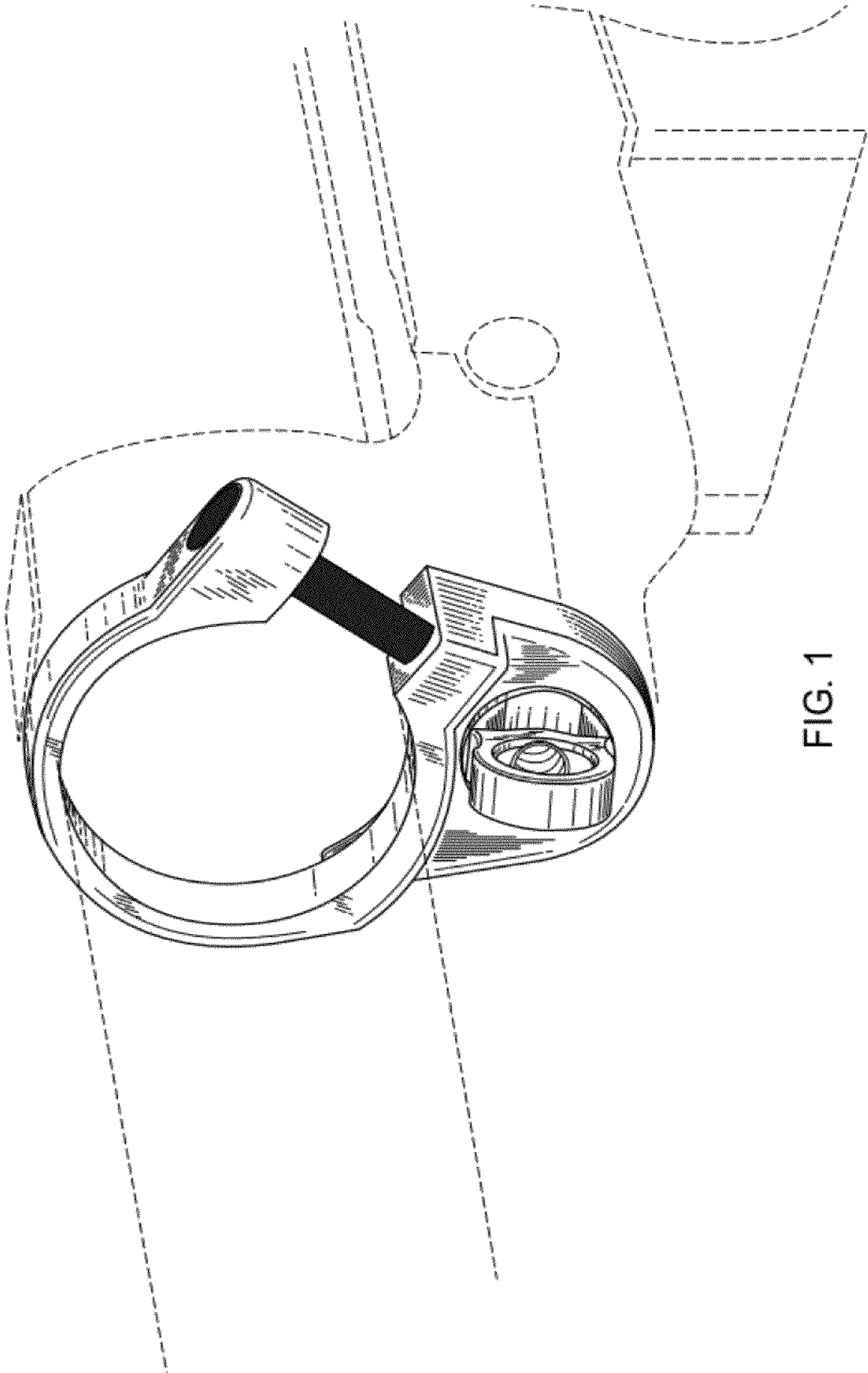


FIG. 1

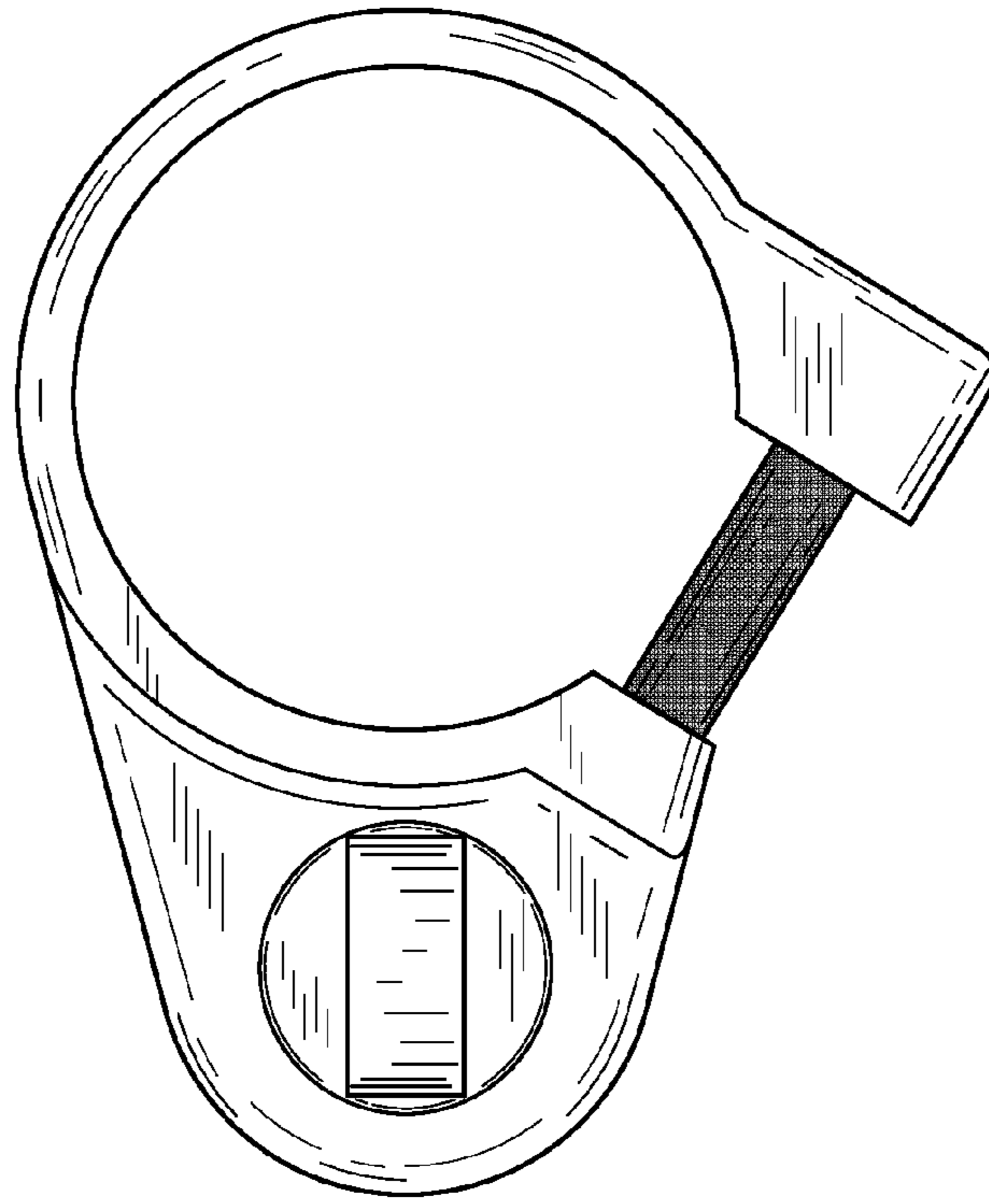


FIG. 2

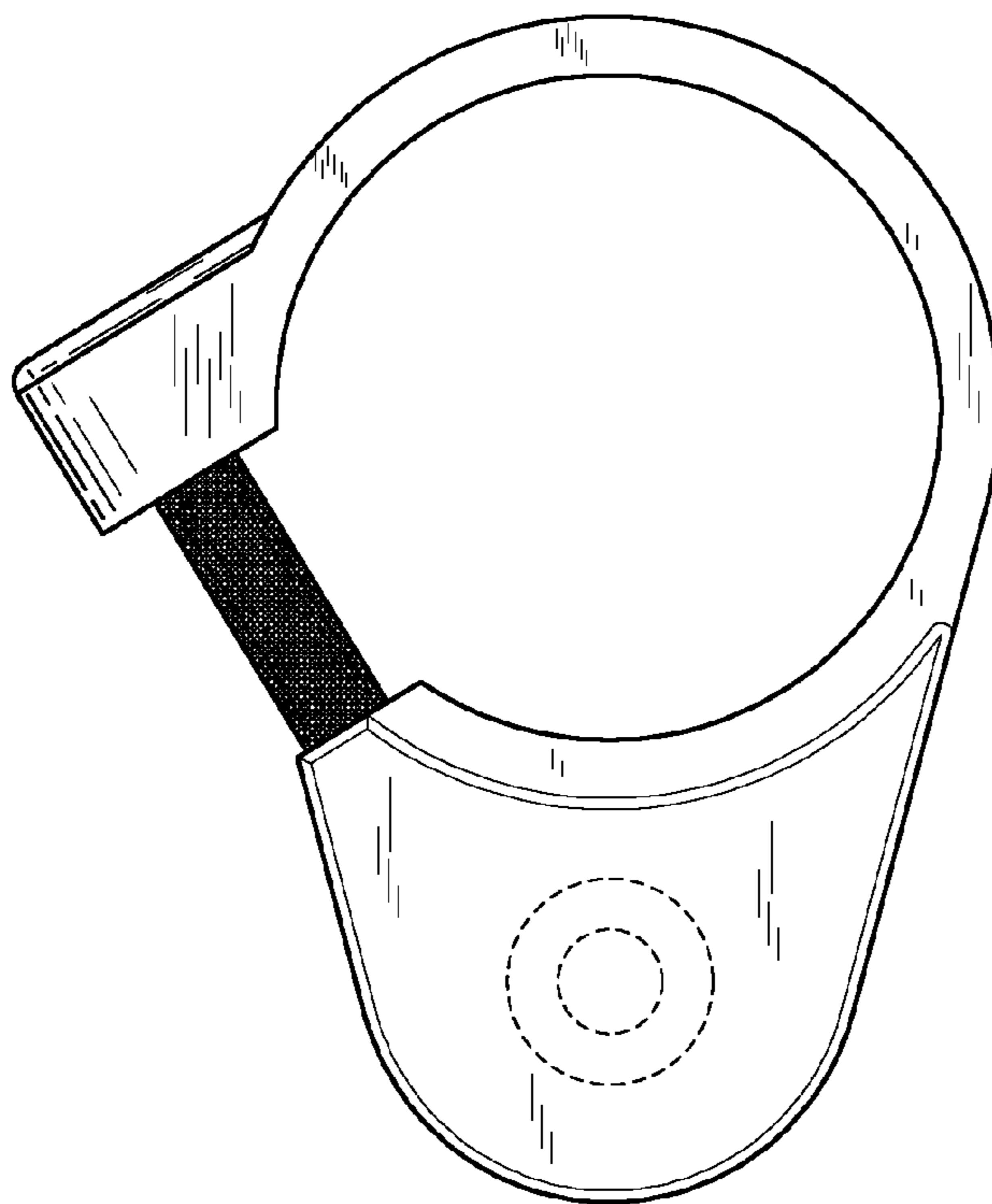


FIG. 3

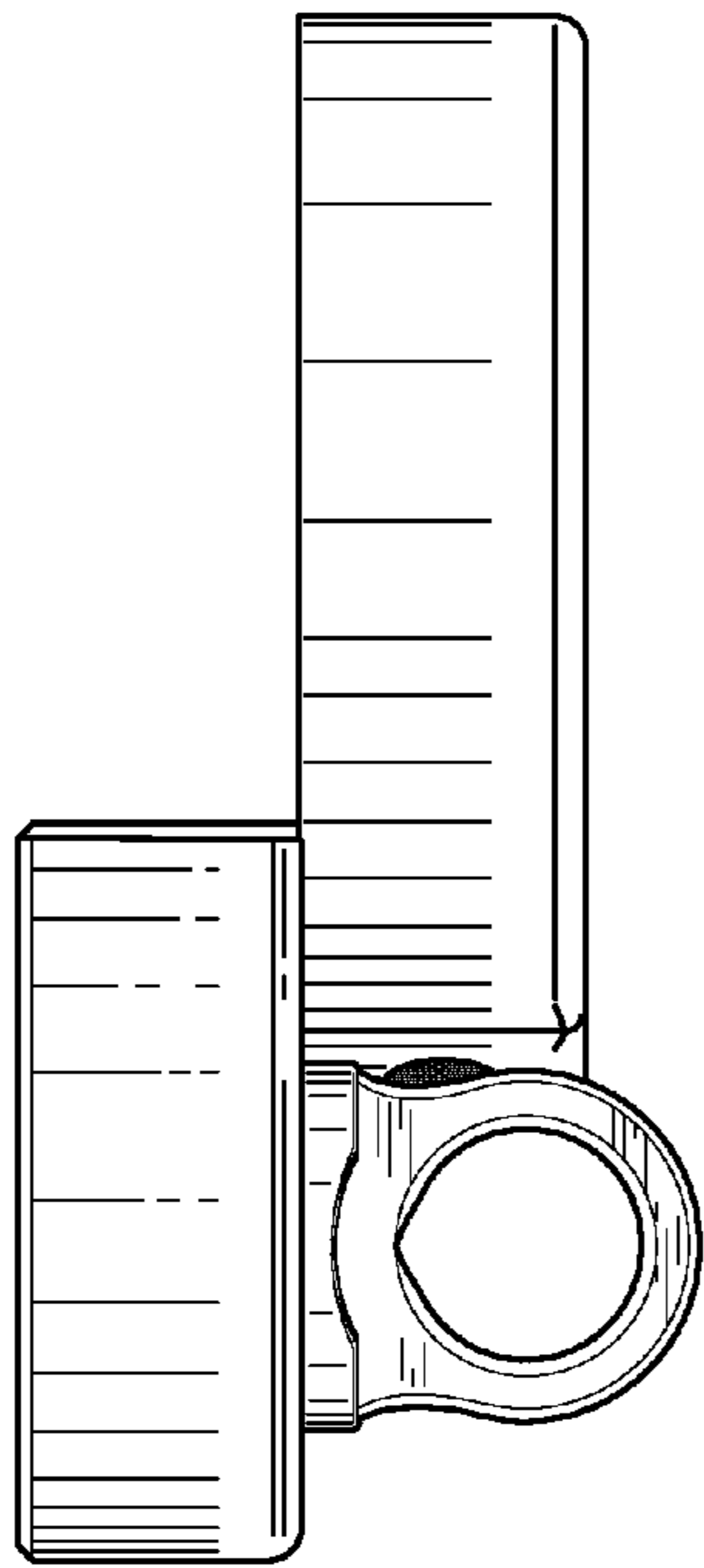


FIG. 4

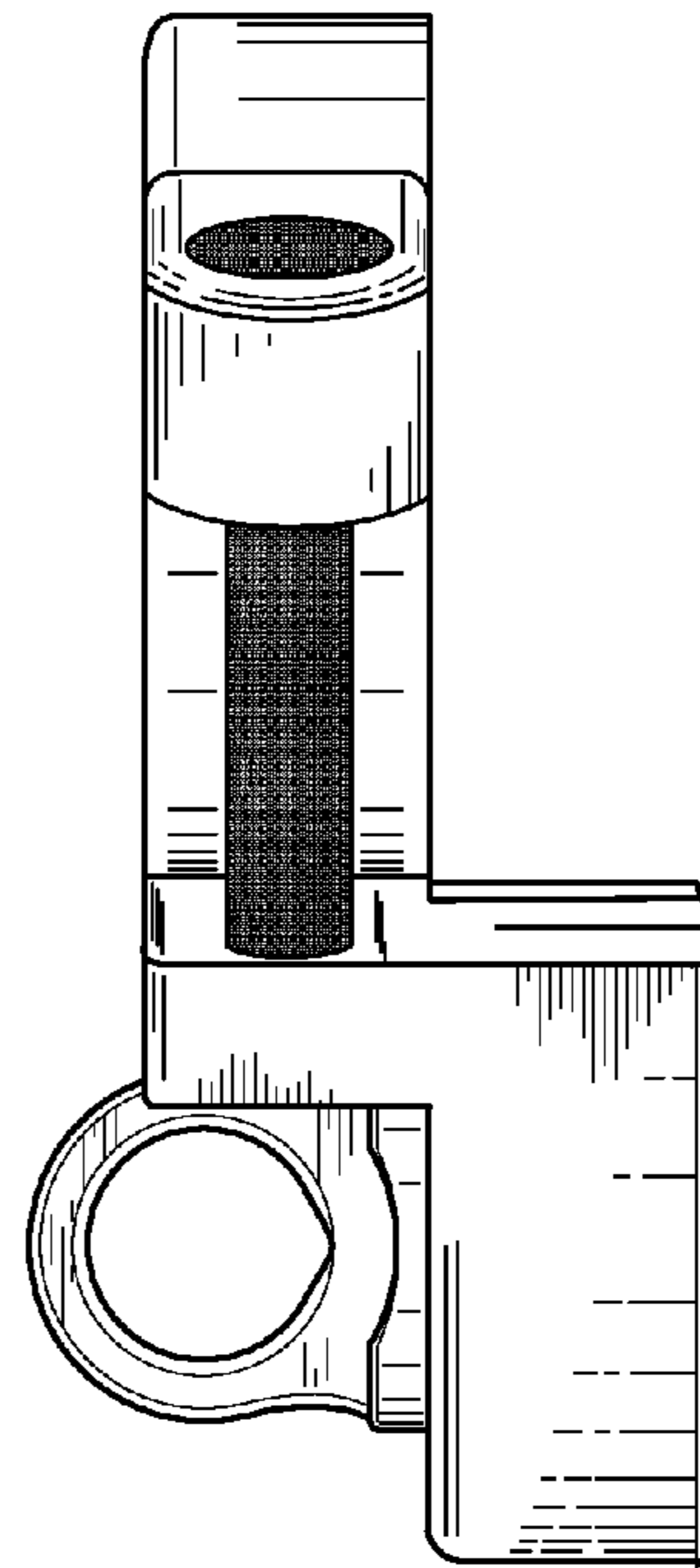


FIG. 5

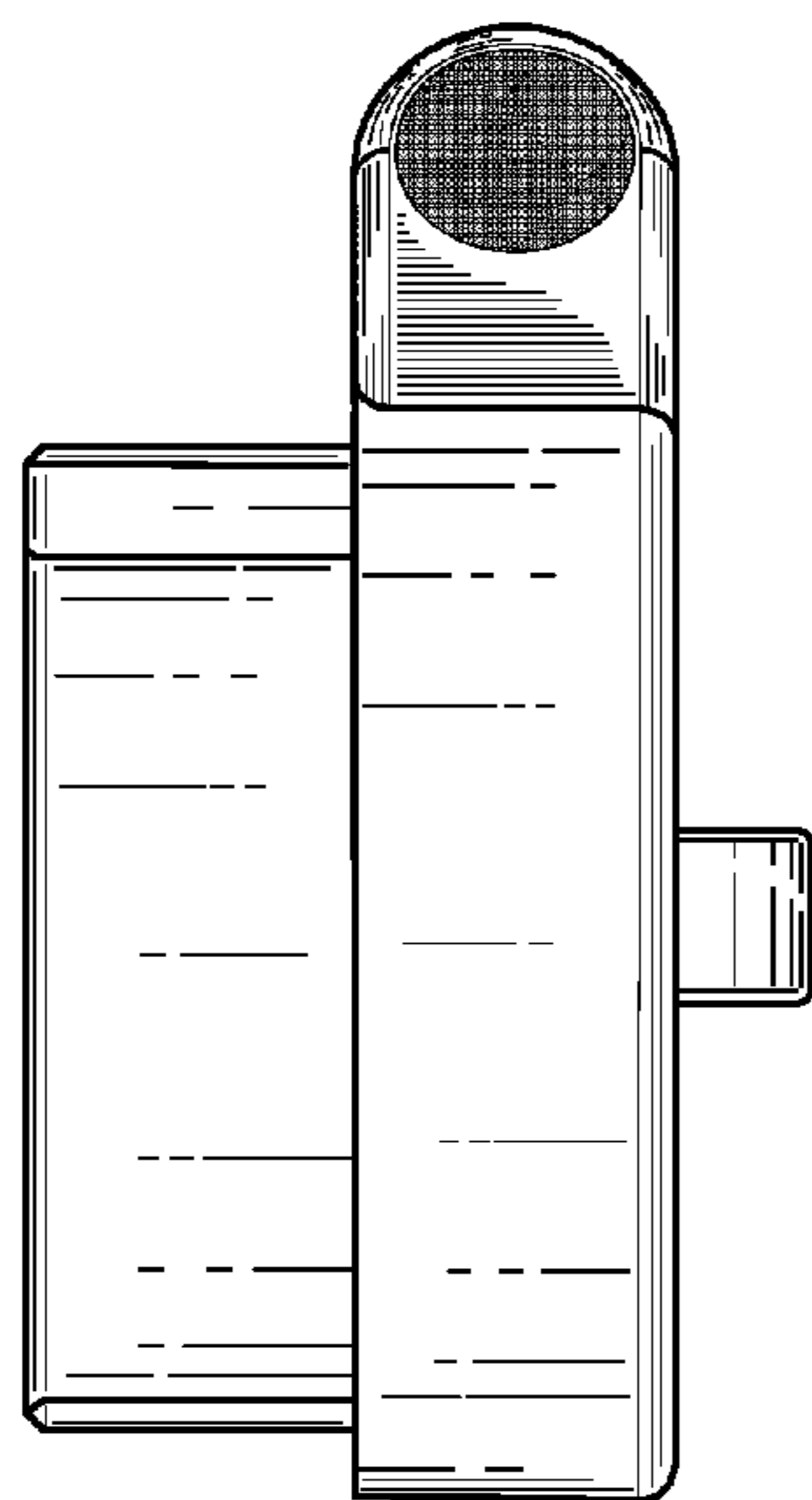


FIG. 6

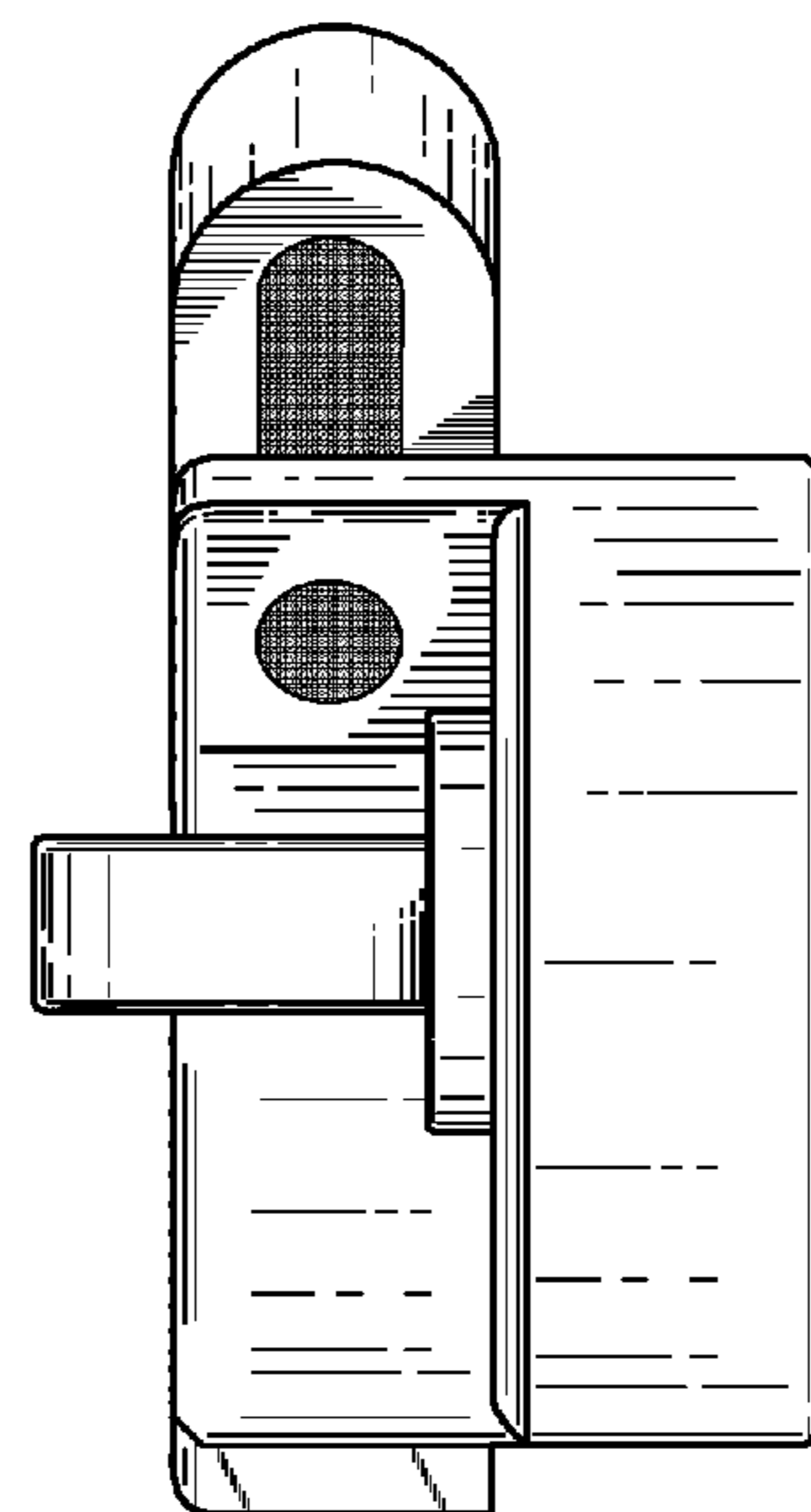


FIG. 7