



US00D664232S

(12) **United States Design Patent**
Storch

(10) **Patent No.:** **US D664,232 S**
(45) **Date of Patent:** **** Jul. 24, 2012**

(54) **REAR SIGHT MOUNT FOR LARGE CALIBER FIREARMS**

(76) Inventor: **Troy Storch**, Waukesha, WI (US)

(**) Term: **14 Years**

(21) Appl. No.: **29/383,110**

(22) Filed: **Jan. 12, 2011**

(51) **LOC (9) Cl.** **22-01**

(52) **U.S. Cl.** **D22/108**

(58) **Field of Classification Search** D22/108-110,
D22/199; 89/200-204; 359/399, 823, 744;
42/104, 105, 111-113, 116, 120, 124-126,
42/127-129, 141-148, 133-140; 33/227,
33/229

See application file for complete search history.

(56) **References Cited**

U.S. PATENT DOCUMENTS

D360,250 S *	7/1995	Coste	D22/110
5,941,489 A *	8/1999	Fanelli et al.	248/298.1
7,669,359 B2 *	3/2010	Kim	42/124
2010/0290213 A1 *	11/2010	Griffin	362/119

* cited by examiner

(74) *Attorney, Agent, or Firm* — Boyle Fredrickson, S.C.

(57) **CLAIM**

The ornamental design for a rear sight mount for large caliber firearms, substantially as shown and described.

DESCRIPTION

FIG. 1 is a perspective view of a rear portion a large caliber firearm equipped with a rear sight mount for large caliber firearms according the present invention;

FIG. 2 is an elevation view of a front side of the rear sight mount for large caliber firearms shown in FIG. 1 removed from the firearm environment;

FIG. 3 is an elevation view of a left side of the rear sight mount for large caliber firearms shown in FIG. 1;

FIG. 4 is a top plan view of the rear sight mount for large caliber firearms shown in FIG. 1;

FIG. 5 is an elevation view of a rear side of the rear sight mount for large caliber firearms shown in FIG. 1;

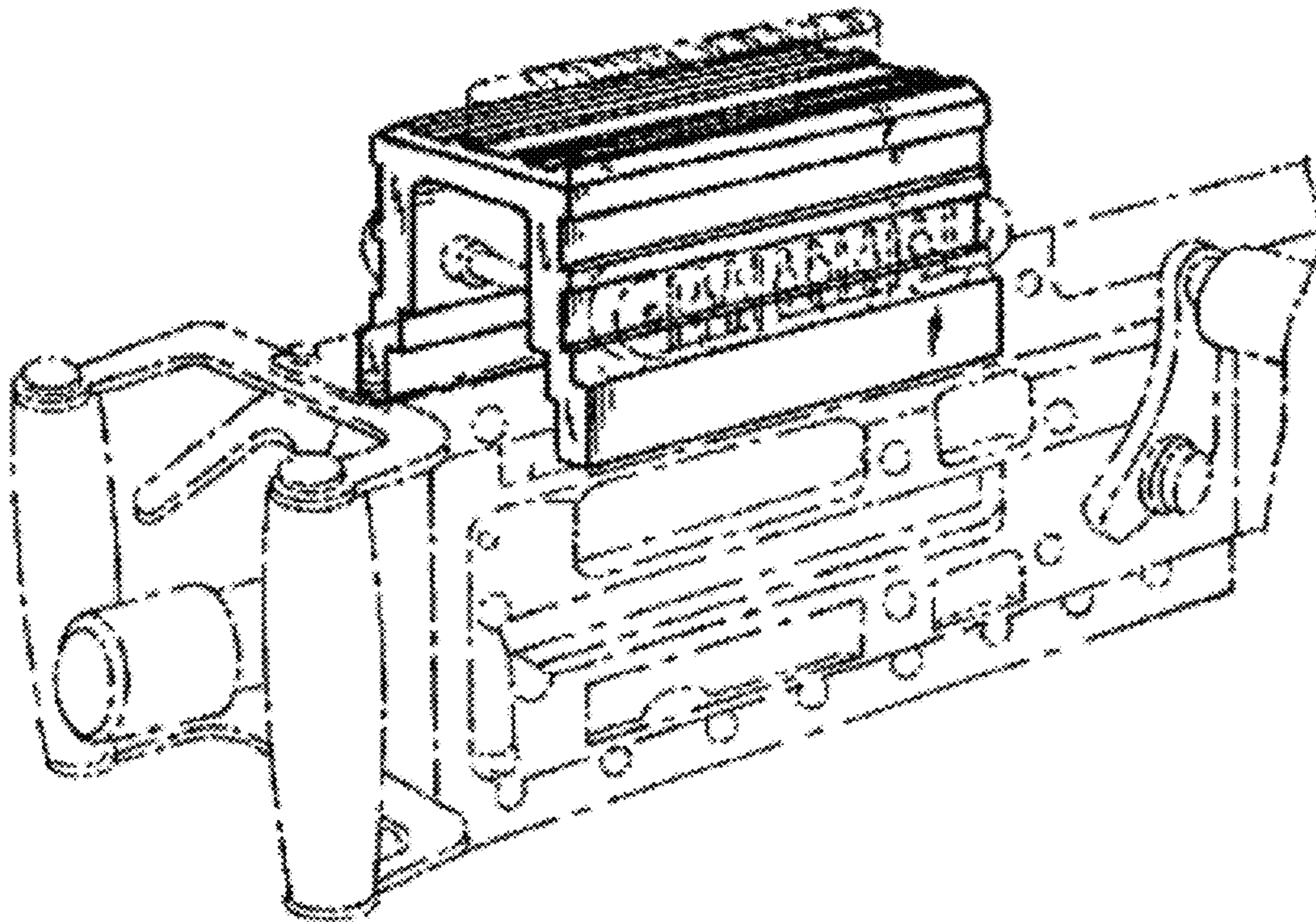
FIG. 6 is an elevation view of a right side of the rear sight mount for large caliber firearms shown in FIG. 1; and,

FIG. 7 is a bottom plan view of the rear sight mount for large caliber firearms shown in FIG. 1.

The broken lines are for illustrative purposes and represent environmental structure and unclaimed portions of the rear sight mount for large caliber firearms and therefore form no part of the claimed design.

Primary Examiner — Michael Pratt

1 Claim, 2 Drawing Sheets



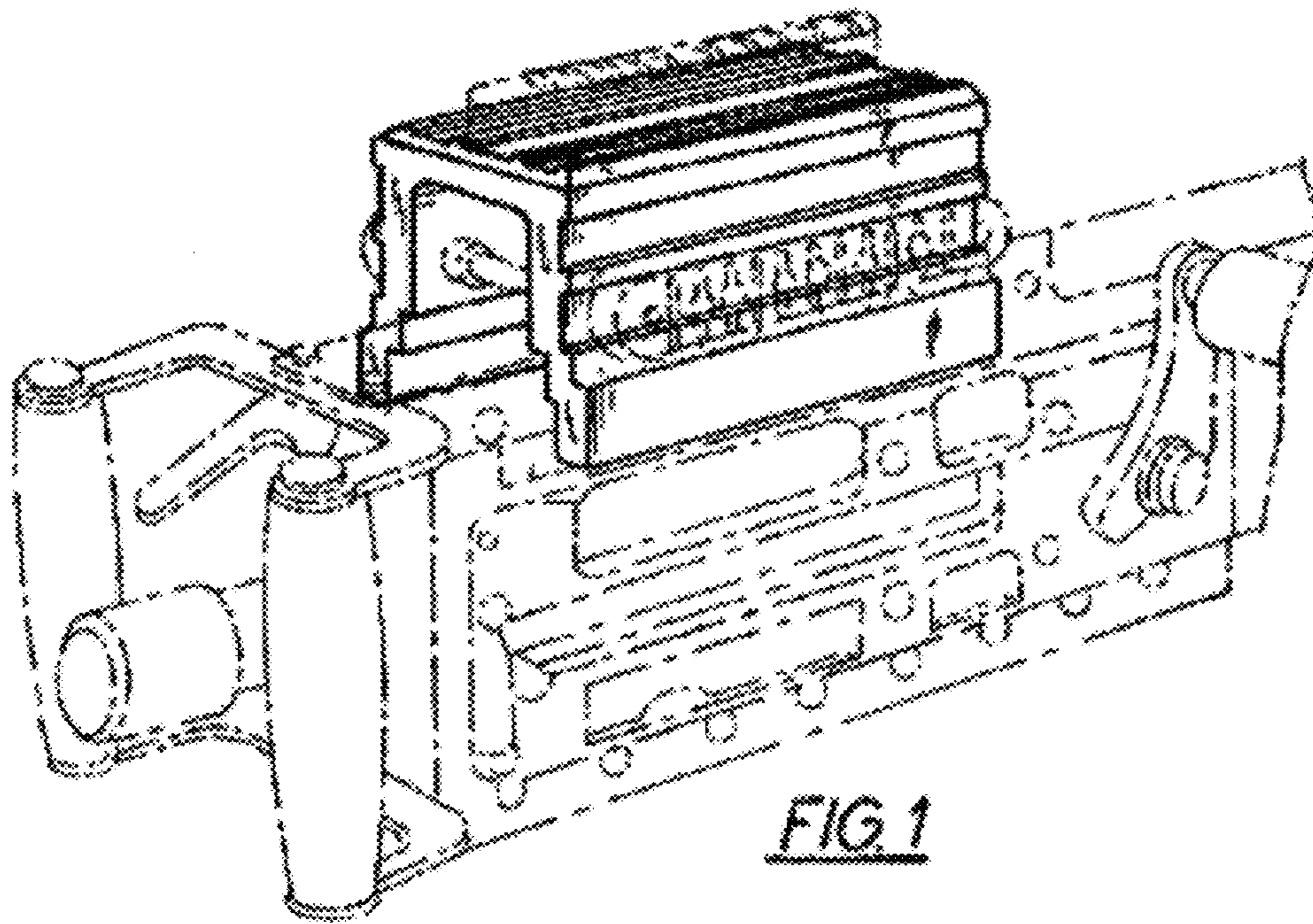


FIG. 1

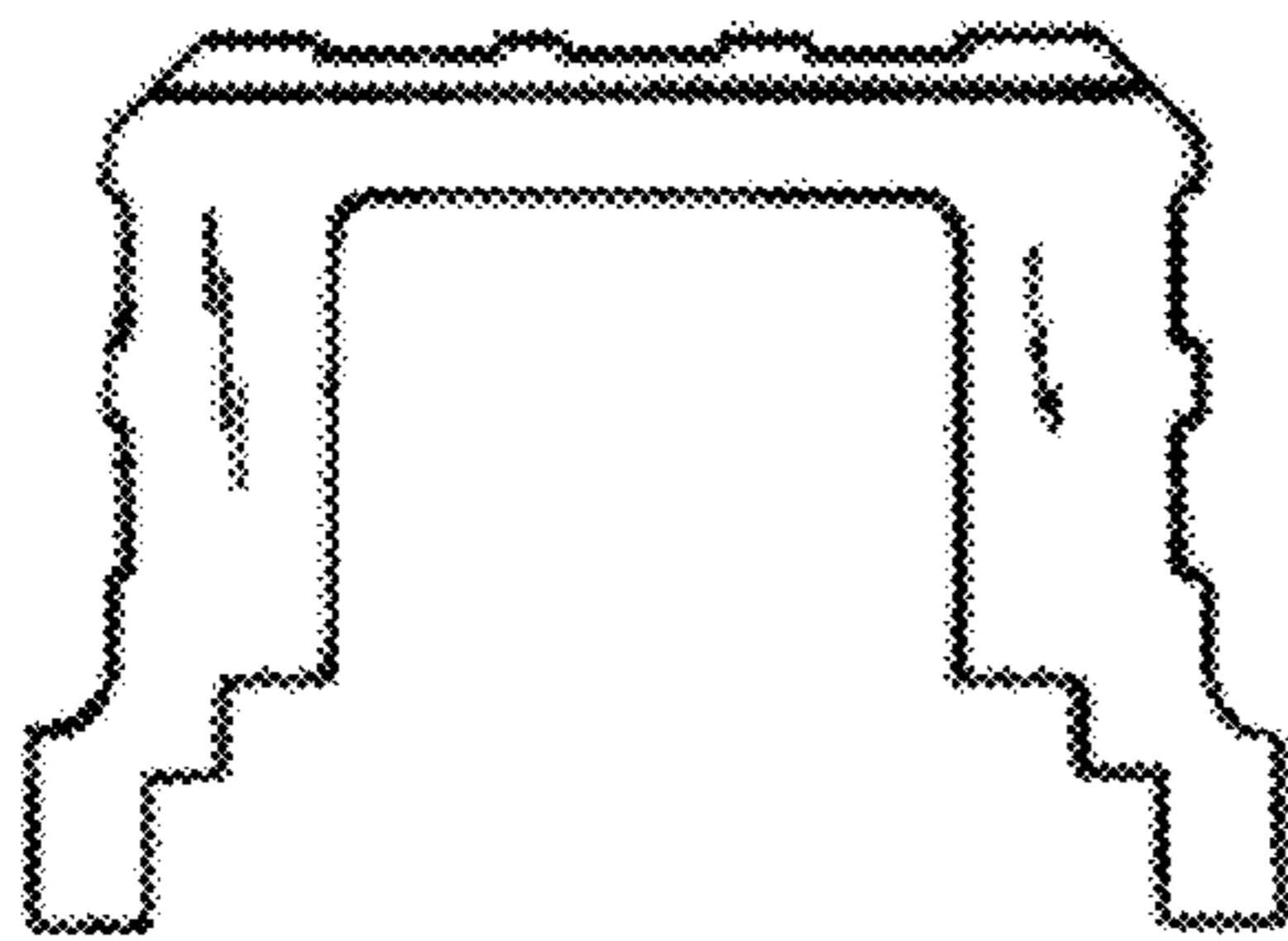


FIG. 2

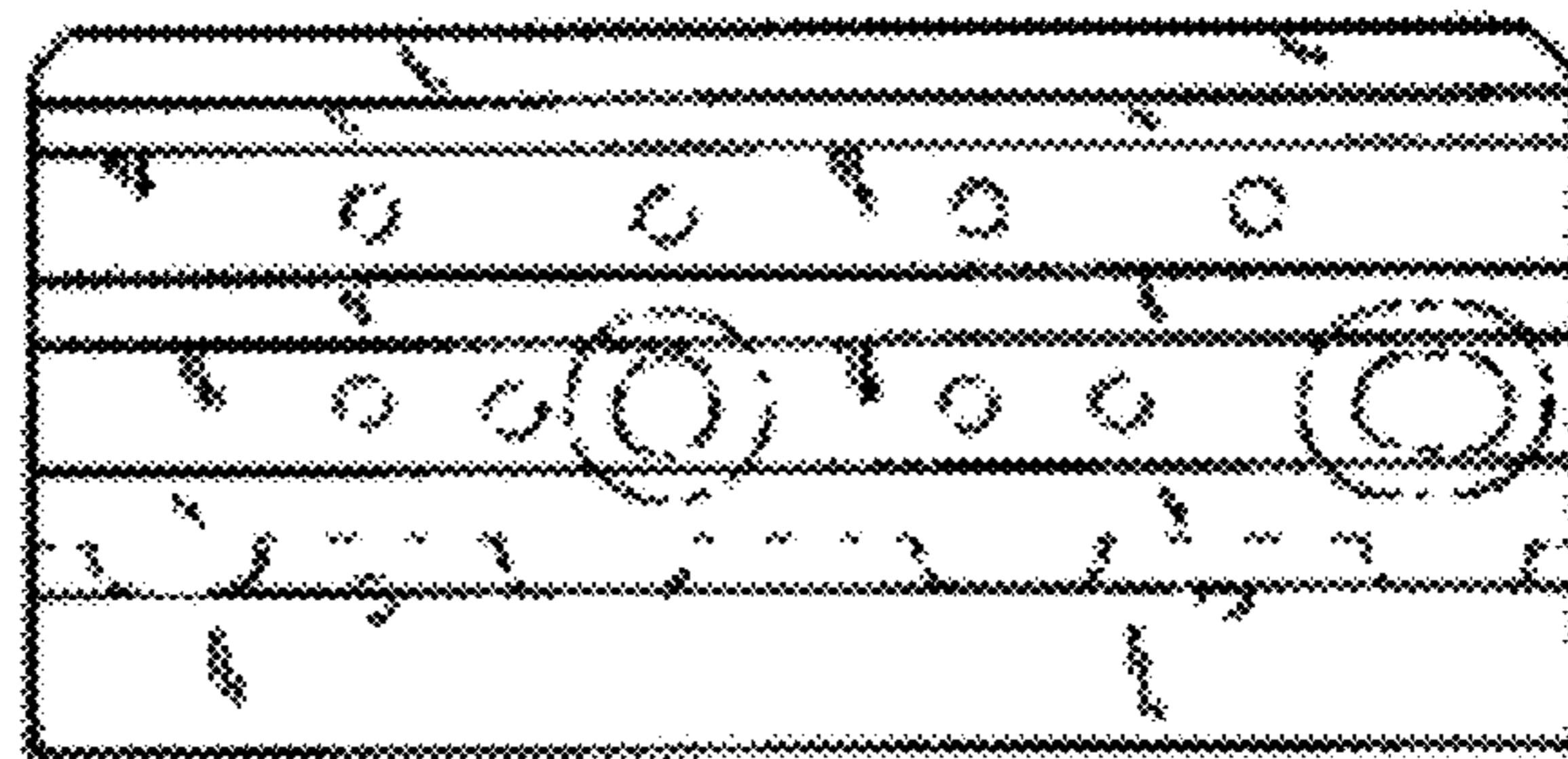


FIG. 3

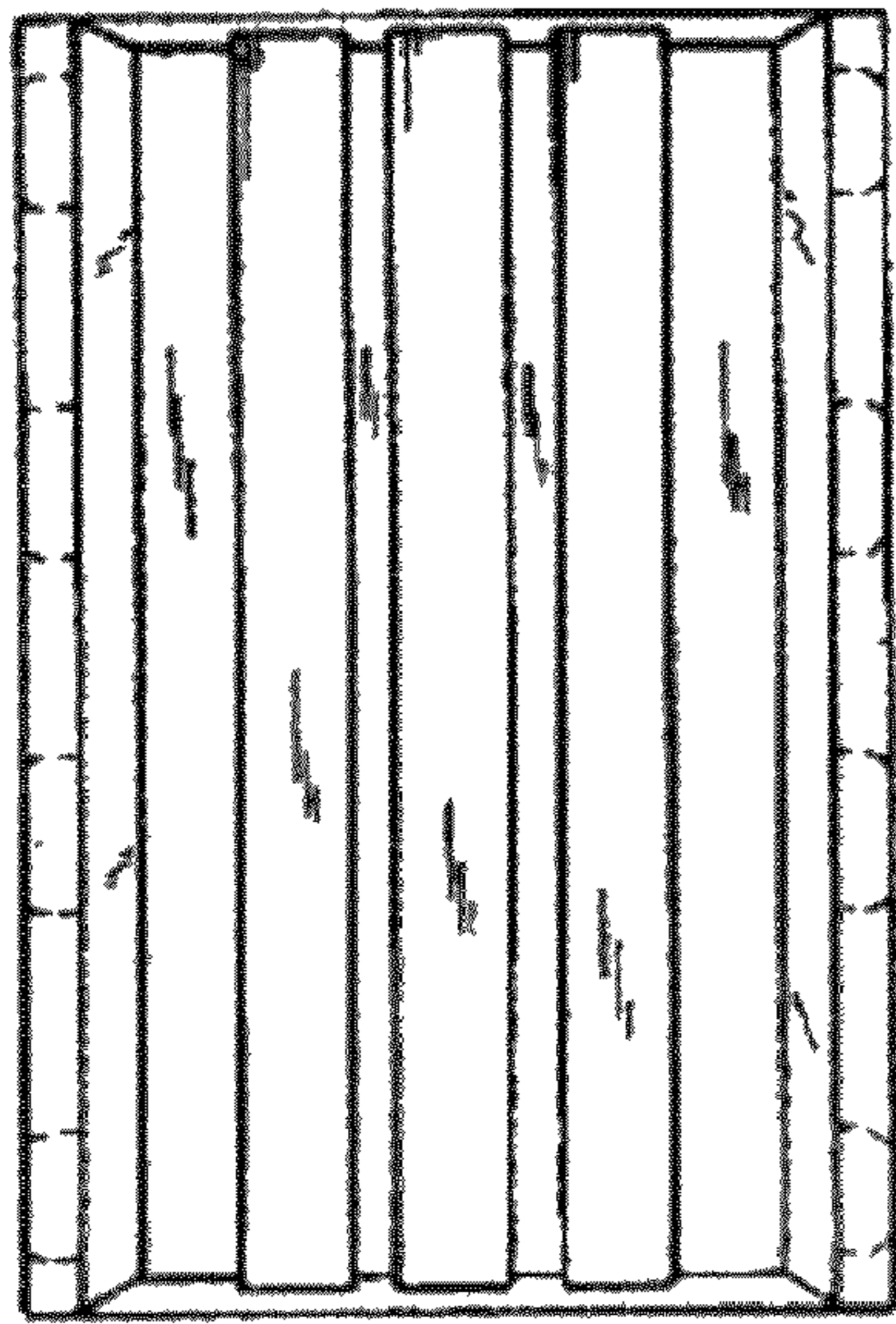


FIG. 4

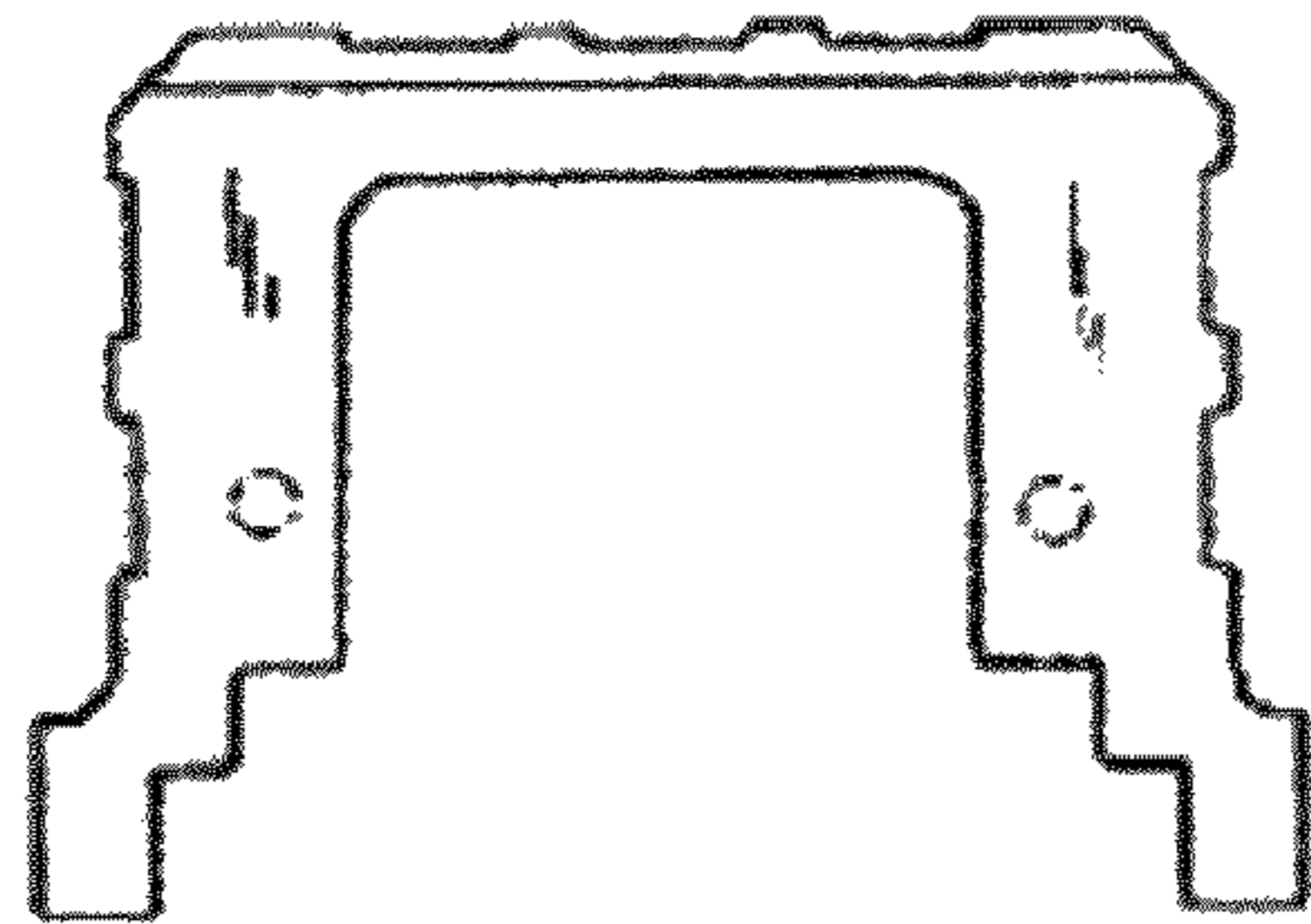


FIG. 5

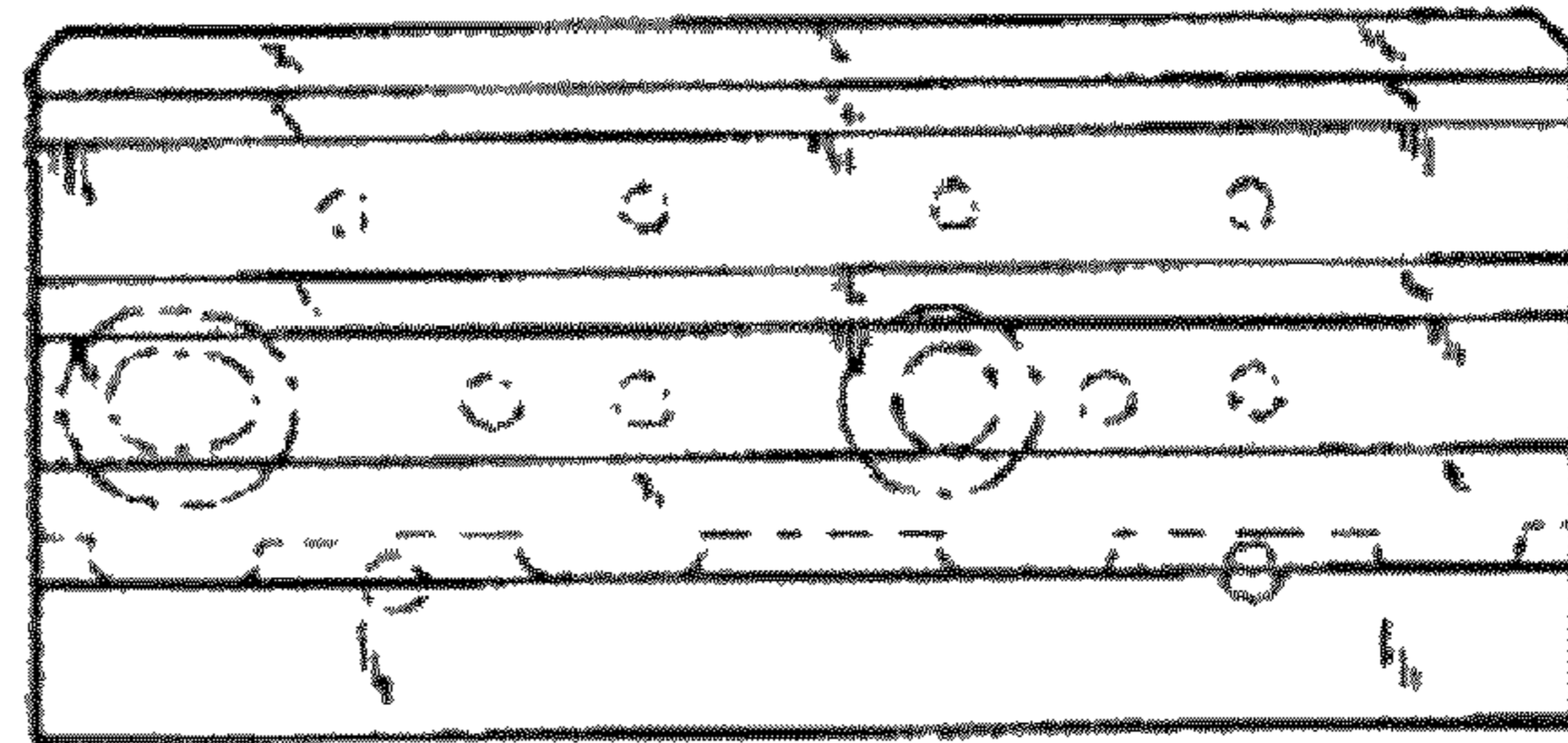


FIG. 6

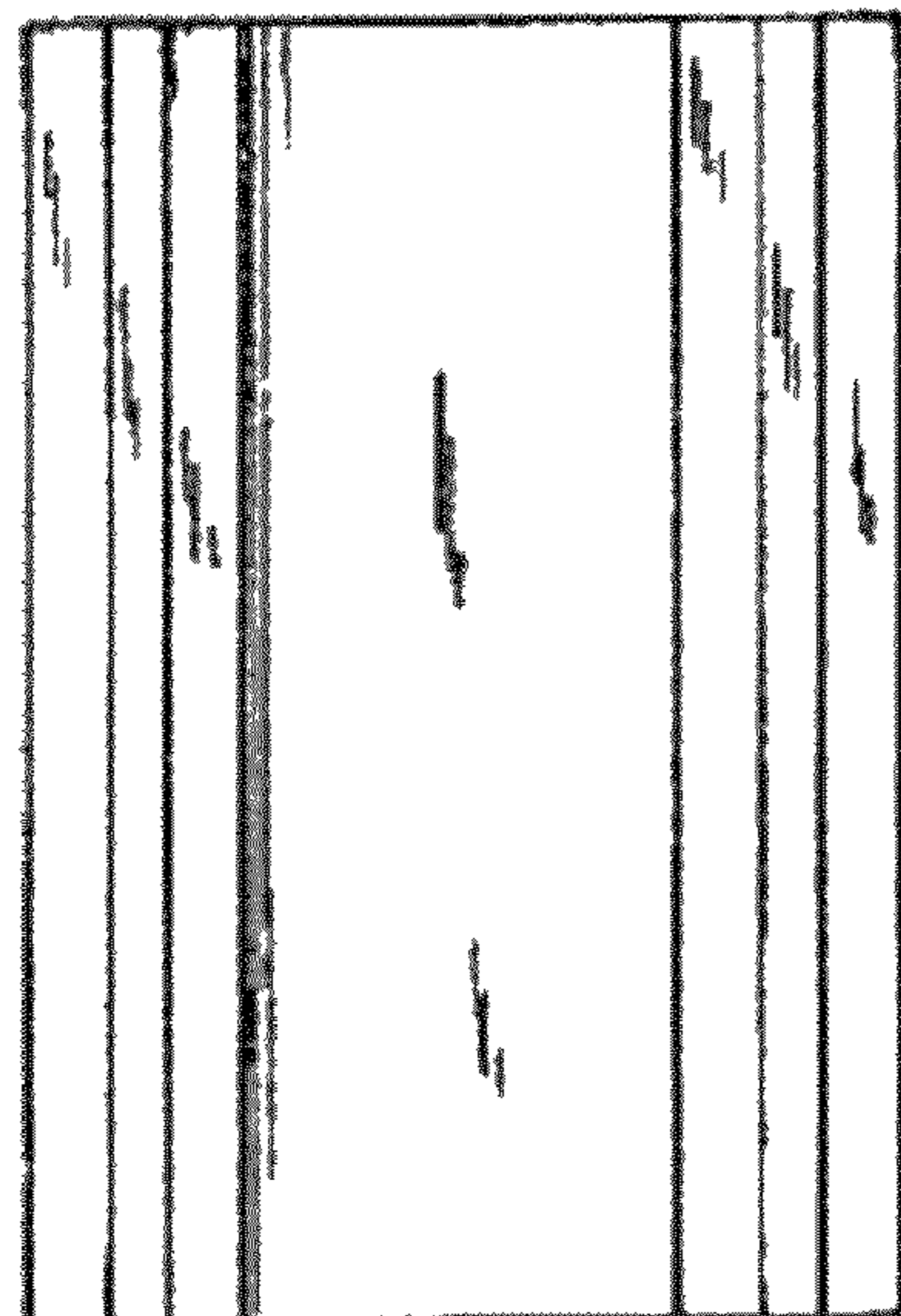


FIG. 7