



US00D664230S

(12) **United States Design Patent**
Musacchia, Jr.

(10) **Patent No.:** **US D664,230 S**
(45) **Date of Patent:** **** Jul. 24, 2012**

(54) **BIG FISH ARROWHEAD ADAPTOR**

(75) Inventor: **John Musacchia, Jr.**, Marathon, FL
(US)

(73) Assignee: **Muzzy Products Corporation**,
Cartersville, GA (US)

(**) Term: **14 Years**

(21) Appl. No.: **29/381,064**

(22) Filed: **Dec. 15, 2010**

(51) **LOC (9) Cl.** **22-01**

(52) **U.S. Cl.** **D22/107; D22/115**

(58) **Field of Classification Search** D22/107,
D22/115, 199; 473/582; 43/6; 403/349
See application file for complete search history.

(56) **References Cited**

U.S. PATENT DOCUMENTS

2,613,936	A *	10/1952	Dalton	473/582
2,904,338	A *	9/1959	Podufal	473/582
3,164,385	A *	1/1965	Shure	473/582
3,168,313	A *	2/1965	Lint	473/582
4,405,133	A *	9/1983	Cartwright, Jr.	473/582
4,642,929	A *	2/1987	Franklin	43/6
4,742,637	A	5/1988	Musacchia		
4,807,382	A *	2/1989	Albrecht	43/6
5,094,464	A	3/1992	Musacchia, Sr.		
D342,303	S *	12/1993	Johnson	D22/115
D363,108	S *	10/1995	Johnson	D22/115
7,077,770	B2 *	7/2006	Palomaki et al.	473/578
7,571,564	B2 *	8/2009	Sullivan	43/6
7,651,421	B2 *	1/2010	Smith et al.	473/582
2003/0073525	A1 *	4/2003	Liechty, II	473/583
2007/0037640	A1 *	2/2007	Rager	473/578

2008/0176681	A1 *	7/2008	Donahoe	473/570
2009/0163308	A1 *	6/2009	Odabachian et al.	473/582
2011/0218062	A1 *	9/2011	Braun et al.	473/578

FOREIGN PATENT DOCUMENTS

CA 1299603 4/1992

* cited by examiner

Primary Examiner — Michael Pratt

(74) *Attorney, Agent, or Firm* — Gerald E. Helget; Briggs and Morgan, P.A.

(57) **CLAIM**

The ornamental design for a big fish arrowhead adaptor, as shown and described.

DESCRIPTION

FIG. 1 is a left side elevational view showing my new design for a big fish arrowhead adaptor which is a mirror image of the right side;

FIG. 2 is a left side elevational view partially broken away to show proximal threads;

FIG. 3 is an assembled left side elevational view which is a mirror image of the assembled right side;

FIG. 4 is a top plan view of the assembled right side which is a mirror image of the bottom plan view;

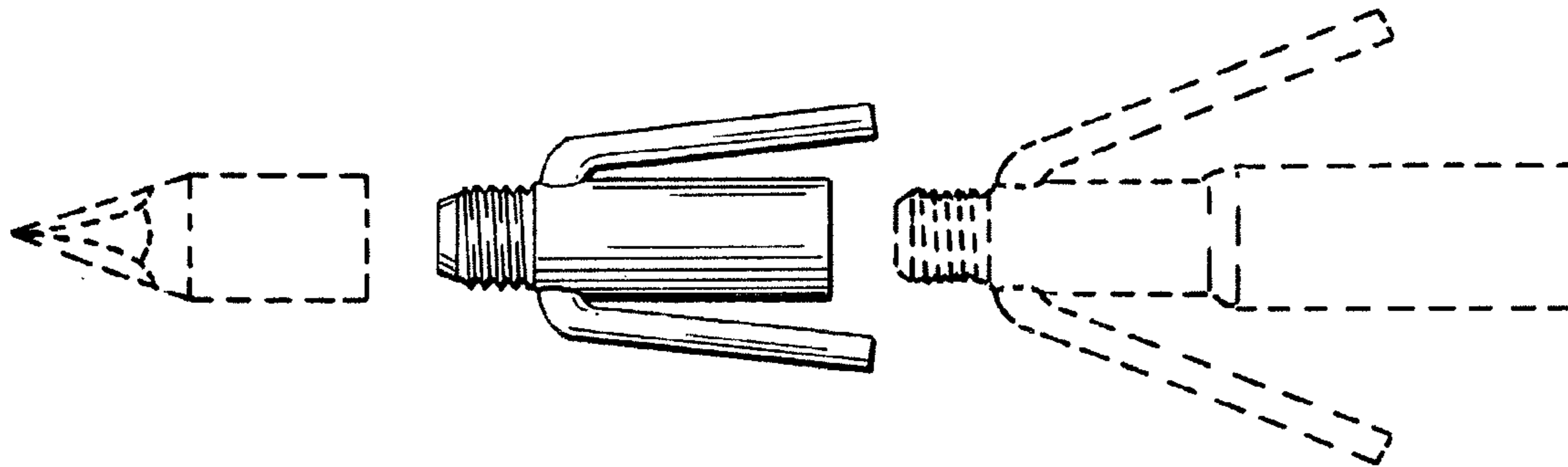
FIG. 5 is a left side elevational view with the barbs rotated for arrowhead removal from a fish;

FIG. 6 is a front elevational view; and,

FIG. 7 is a rear elevational view.

The broken line drawings of the fishing arrowhead are for illustrative purposes only and form no part of the claimed design.

1 Claim, 2 Drawing Sheets



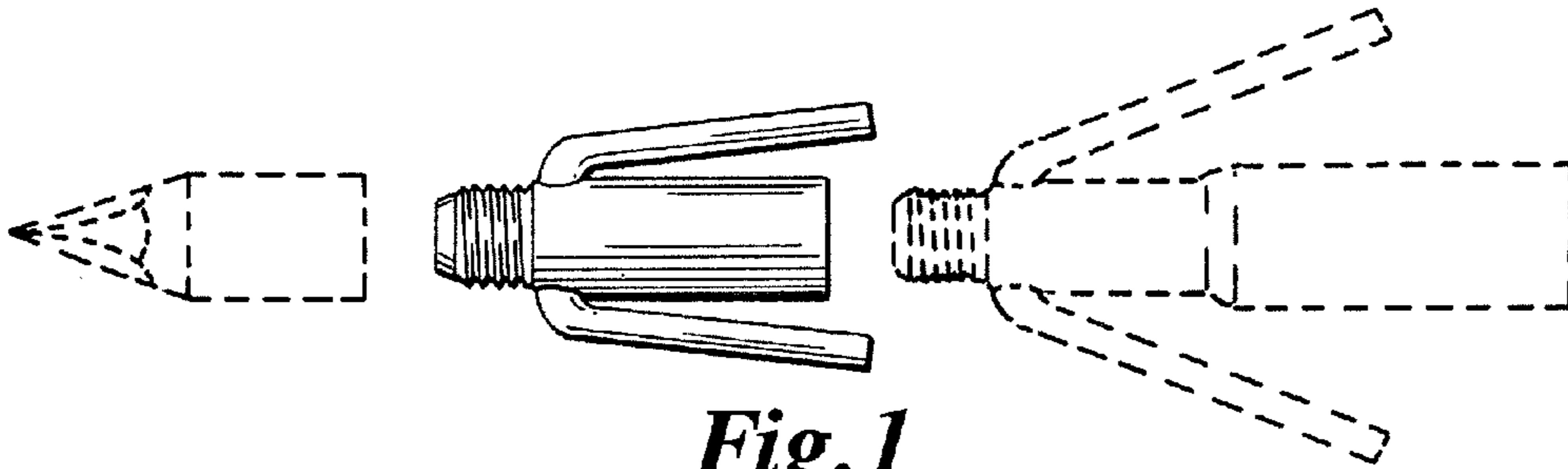


Fig. 1

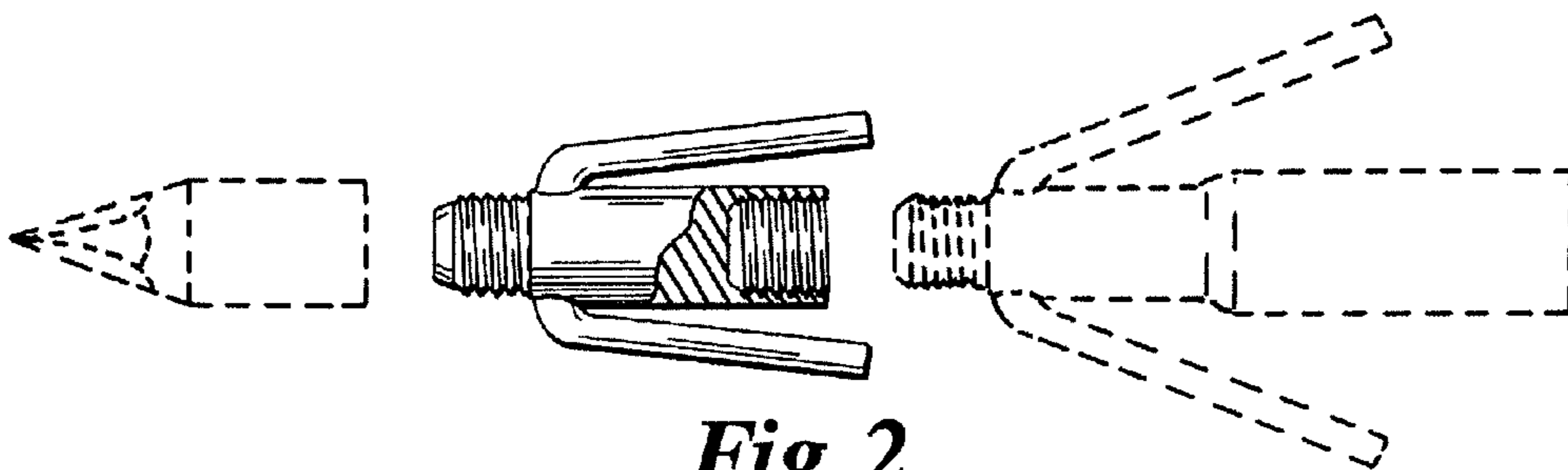


Fig. 2

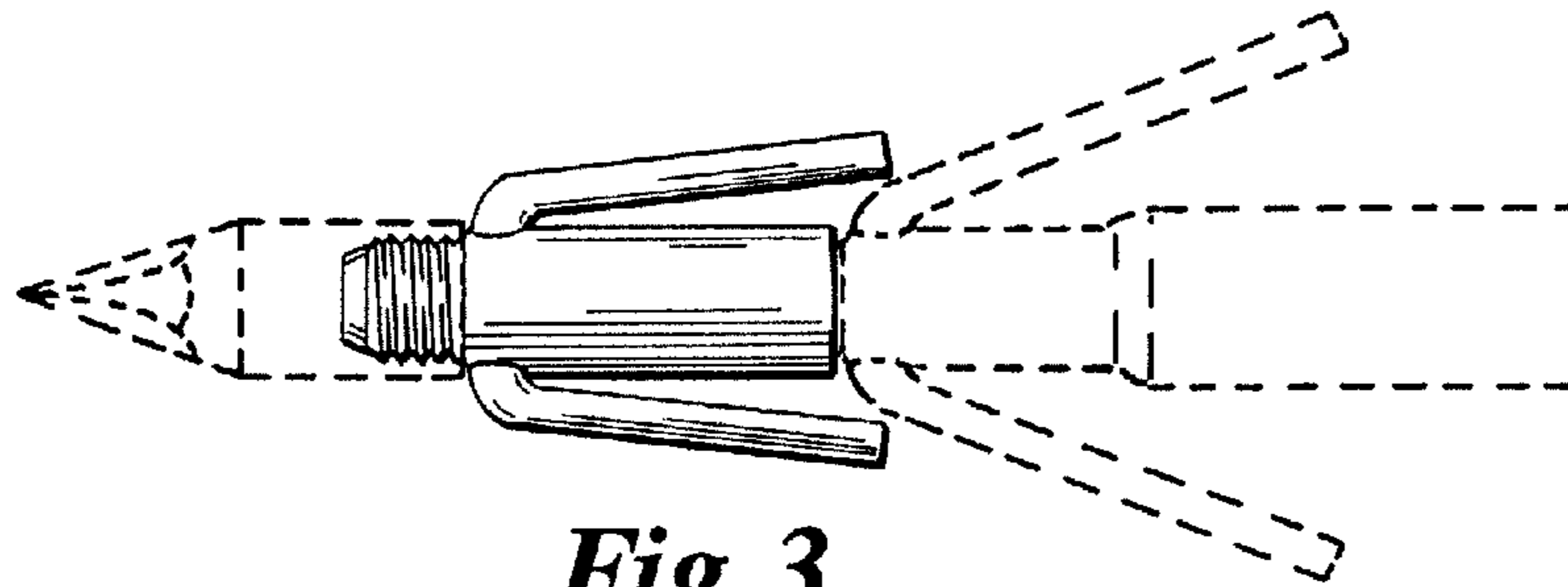


Fig. 3

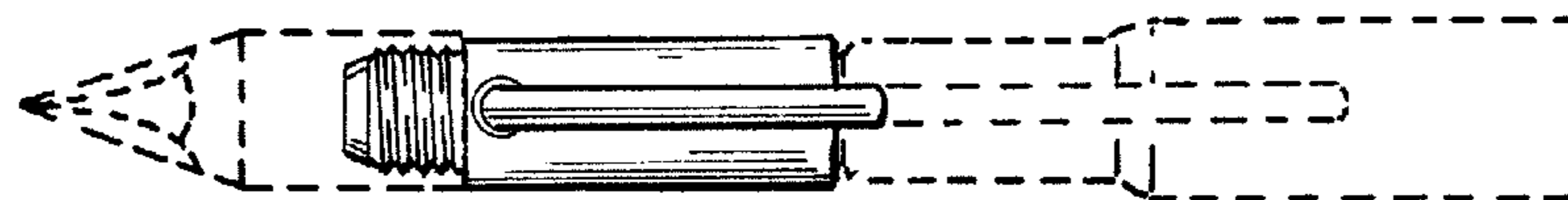


Fig. 4

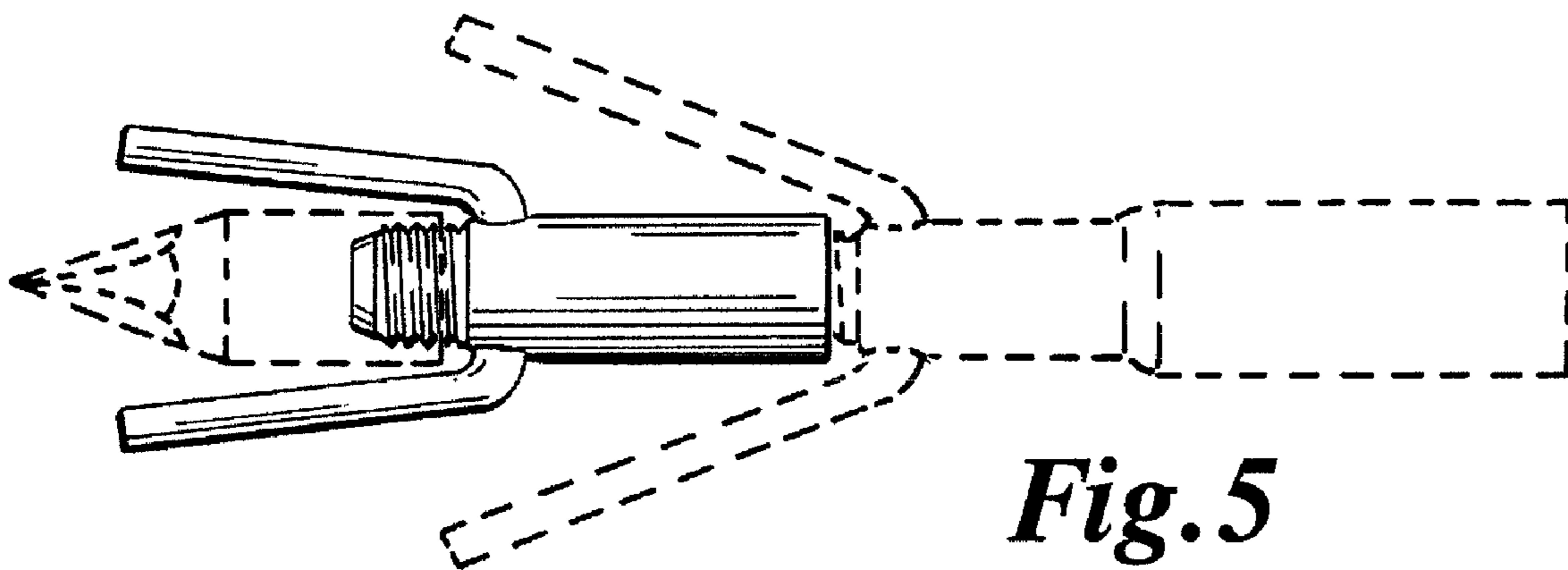


Fig. 5

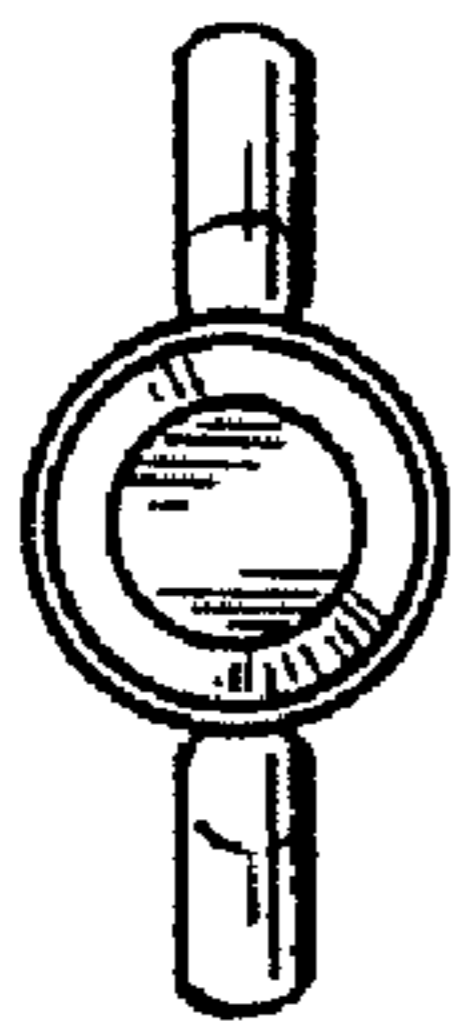


Fig. 6



Fig. 7