



US00D664229S

(12) **United States Design Patent**
Mackie et al.

(10) **Patent No.:** **US D664,229 S**

(45) **Date of Patent:** **** Jul. 24, 2012**

(54) **SINGLE ARROW CLIP ATTACHMENT**

(75) Inventors: **Scott Mackie**, North East, MD (US);
Michael P. Homan, Elkton, MD (US)

(73) Assignees: **Scott Mackie**, North East, MD (US);
Michael P. Homan, Elkton, MD (US)

(**) Term: **14 Years**

(21) Appl. No.: **29/369,236**

(22) Filed: **Sep. 3, 2010**

(51) **LOC (9) Cl.** **22-01**

(52) **U.S. Cl.** **D22/107**

(58) **Field of Classification Search** D22/107,
D22/199; 248/74.2; D8/330-348, 382, 394-396;
473/583-586

See application file for complete search history.

(56) **References Cited**

U.S. PATENT DOCUMENTS

2,271,250	A	1/1942	Buchholz	
2,483,188	A	9/1949	Joseph	
2,575,126	A *	11/1951	Ramsey	124/23.1
2,909,167	A	10/1959	Fredrickson	
3,591,062	A *	7/1971	Karbo	124/88
3,840,944	A	10/1974	Gresley	
4,156,496	A	5/1979	Stinson	
D272,042	S *	1/1984	Muench	D8/356
4,607,606	A *	8/1986	Schaar	124/89
4,785,791	A	11/1988	Sloop	
4,955,355	A	9/1990	Pugh	
4,995,372	A	2/1991	Topel	
5,048,193	A	9/1991	Hacquet	
D328,772	S	8/1992	Bowton	
D333,256	S *	2/1993	Newcomer et al.	D8/356
5,190,022	A	3/1993	Larson	
5,417,926	A	5/1995	Bouveret	
D364,795	S	12/1995	Mekyska	

5,743,497	A *	4/1998	Michael	248/68.1
5,820,095	A	10/1998	Stone	
5,864,958	A *	2/1999	Giddens	33/265
6,006,734	A	12/1999	Sodaro	
6,105,566	A	8/2000	Tiedemann	
6,672,299	B2	1/2004	Proctor	
2010/0275896	A1 *	11/2010	Ellig	124/88

* cited by examiner

Primary Examiner — Michael Pratt

(74) *Attorney, Agent, or Firm* — Brian S. Steinberger; Law Offices of Brian S. Steinberger, P.A.

(57) **CLAIM**

The ornamental design for a single arrow clip attachment, as shown and described.

DESCRIPTION

FIG. 1 is an upper front left perspective view of the single arrow clip attachment.

FIG. 2 is a lower front right perspective view of the design of FIG. 1.

FIG. 3 is an lower front left perspective view of the design of FIG. 1.

FIG. 4 is an upper rear left perspective view of the design of FIG. 1.

FIG. 5 is a lower rear right perspective view of the design of FIG. 1.

FIG. 6 is lower rear left perspective view of the design of FIG. 1.

FIG. 7 is a front side view of the design of FIG. 1.

FIG. 8 is a rear side view of the design of FIG. 1.

FIG. 9 is a right side view of the design of FIG. 1.

FIG. 10 is a left side view of the design of FIG. 1.

FIG. 11 is a top side view of the design of FIG. 1; and,

FIG. 12 is bottom side view of the design of FIG. 1.

1 Claim, 9 Drawing Sheets

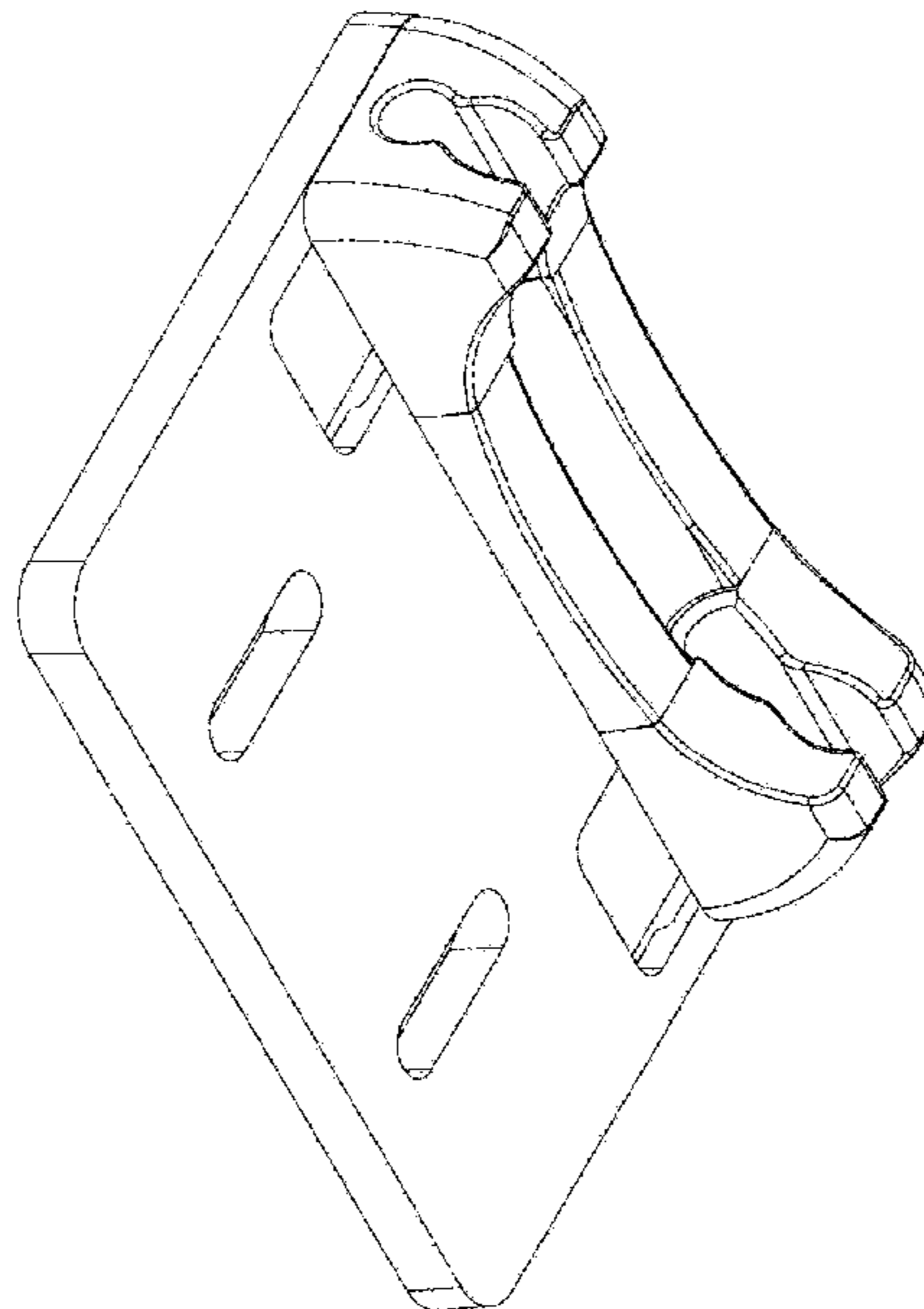


FIG. 1

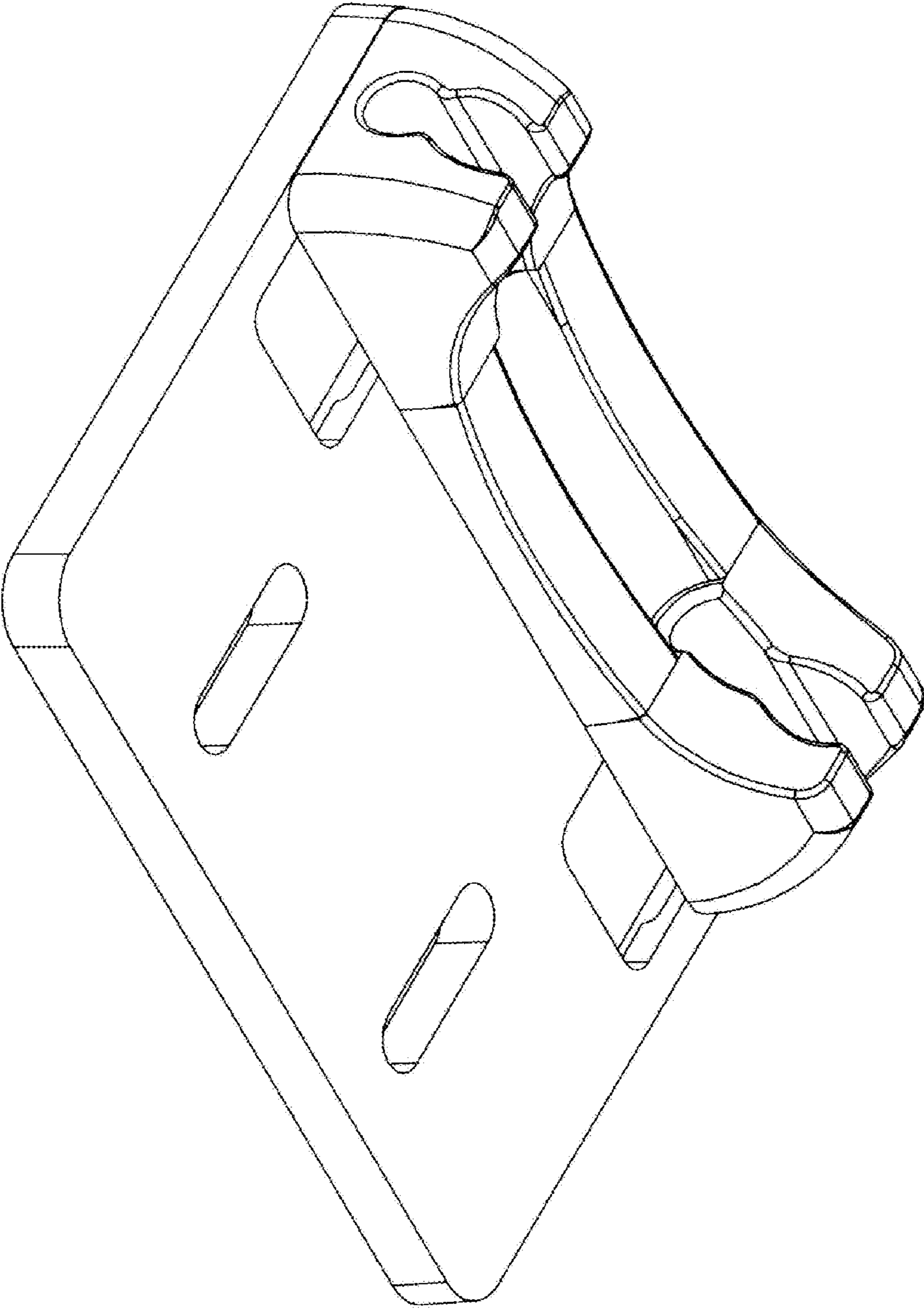


FIG. 2

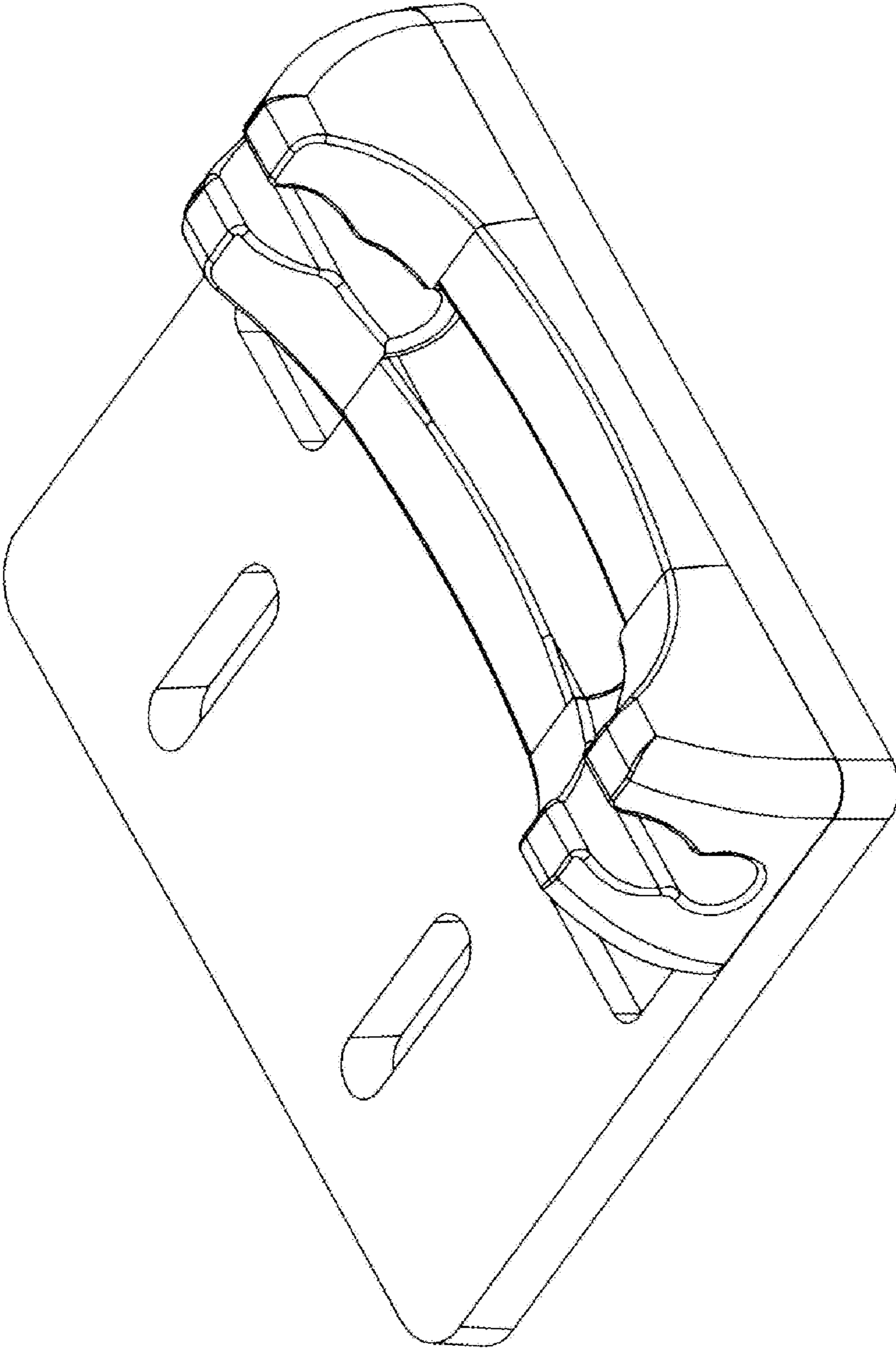


FIG. 3

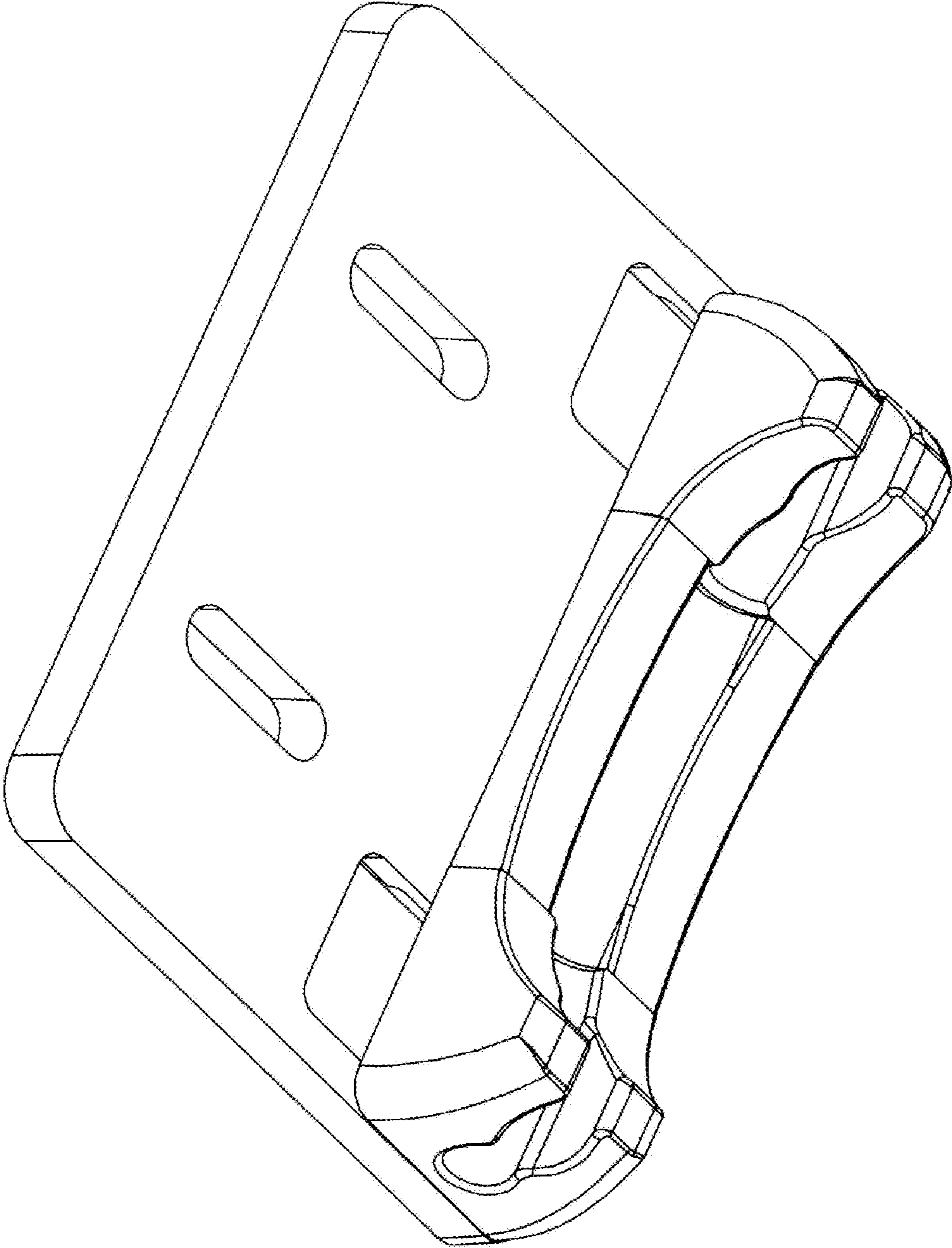


FIG. 4

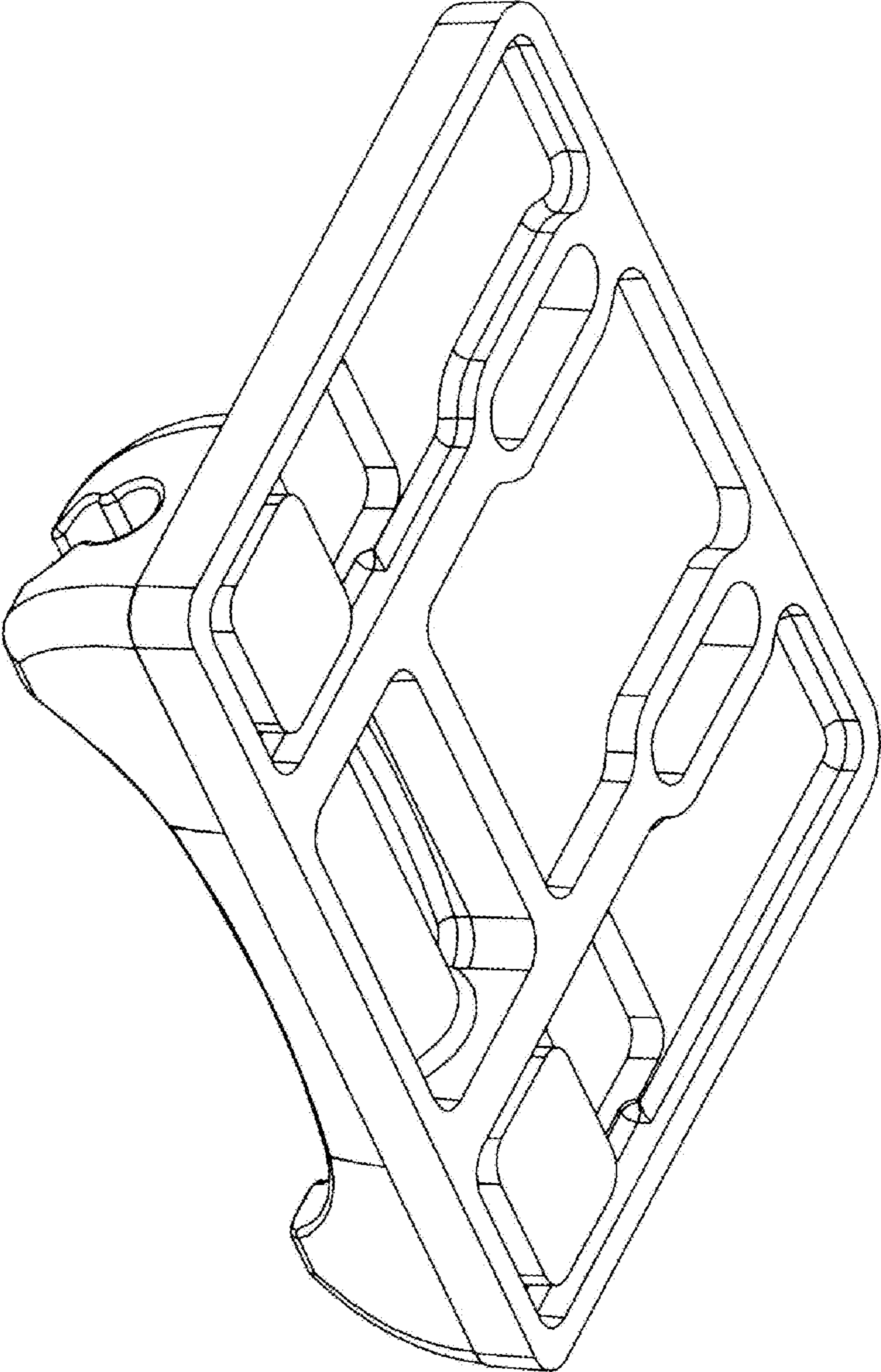


FIG. 5

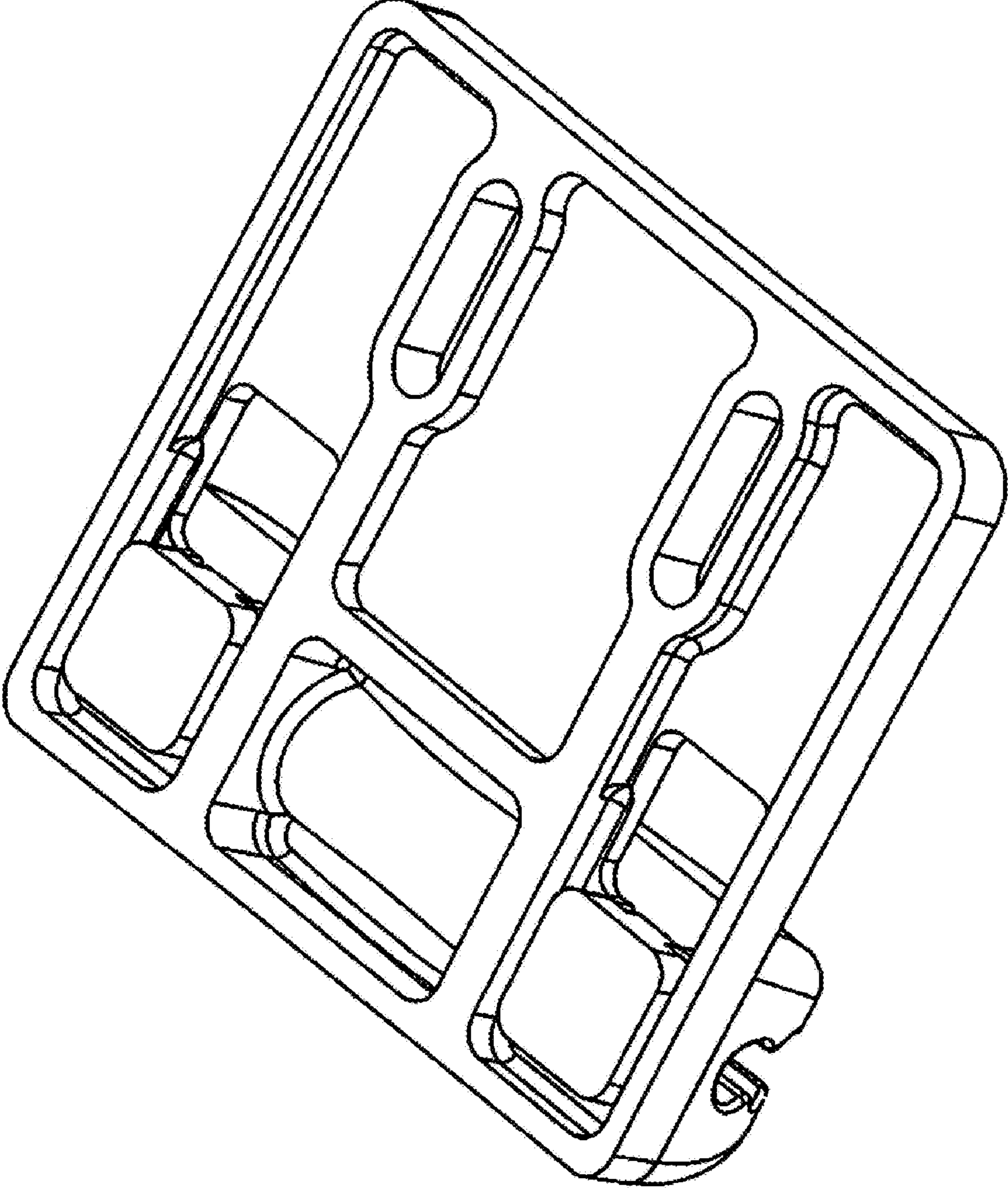


FIG. 6

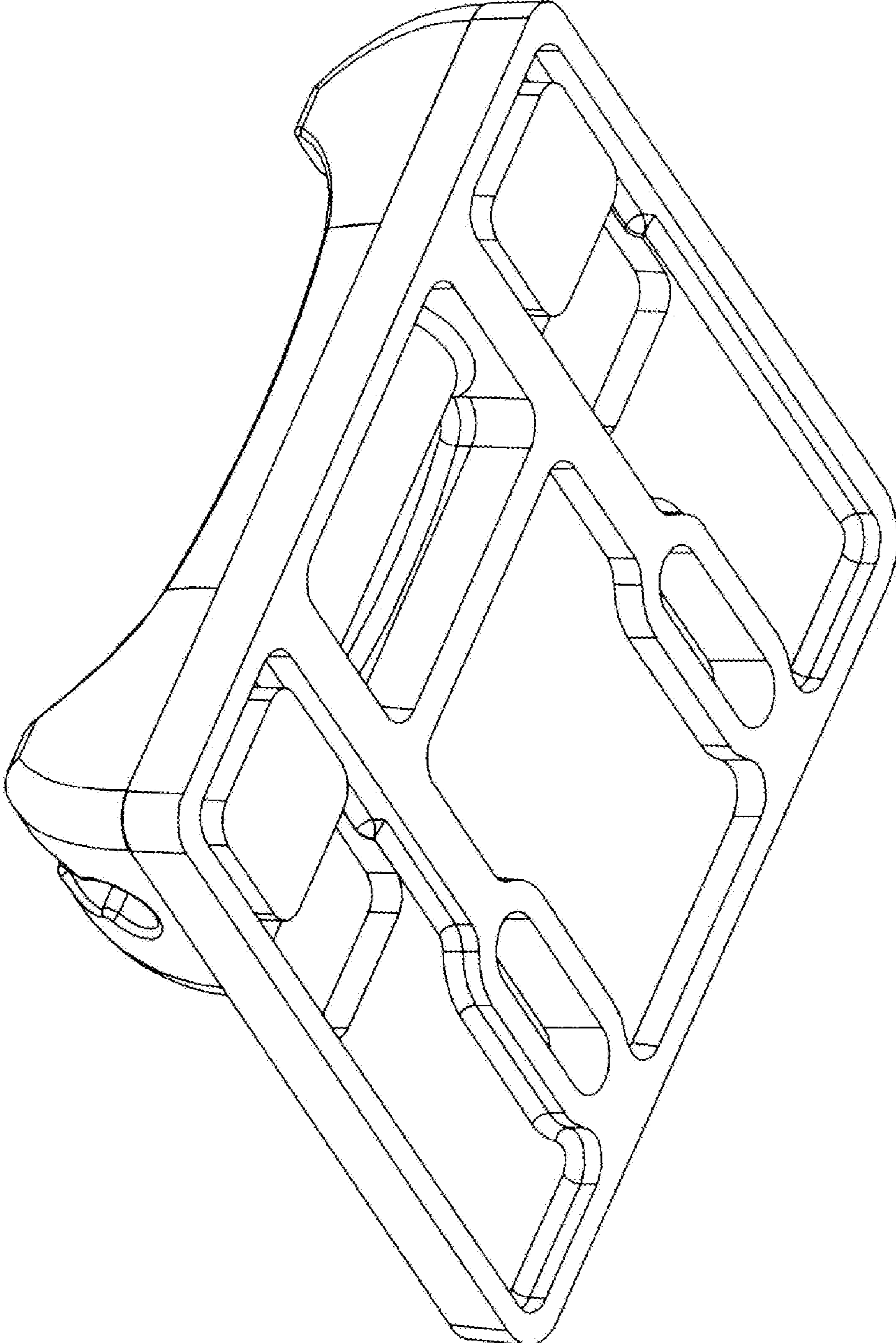


FIG. 7

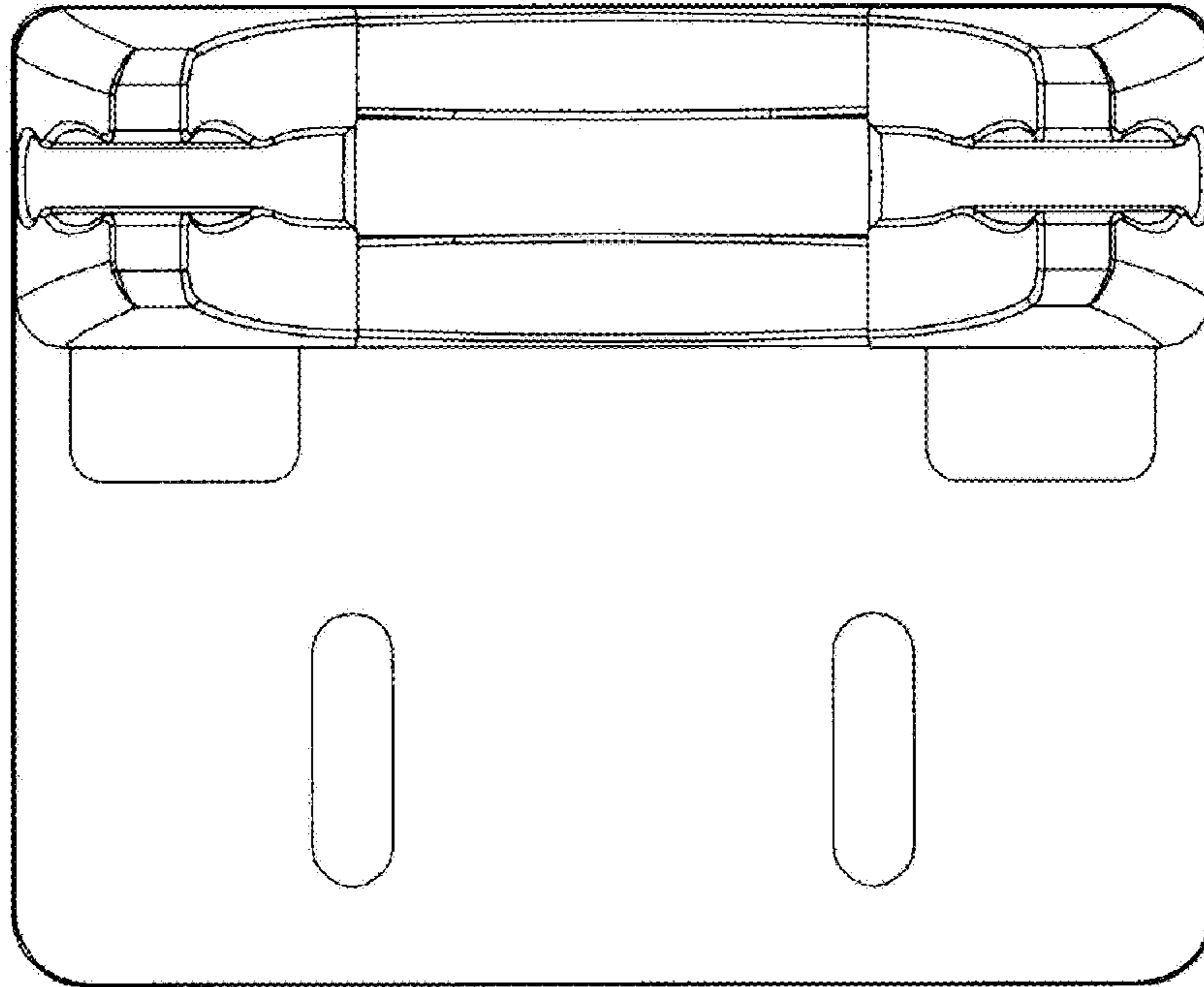


FIG. 8

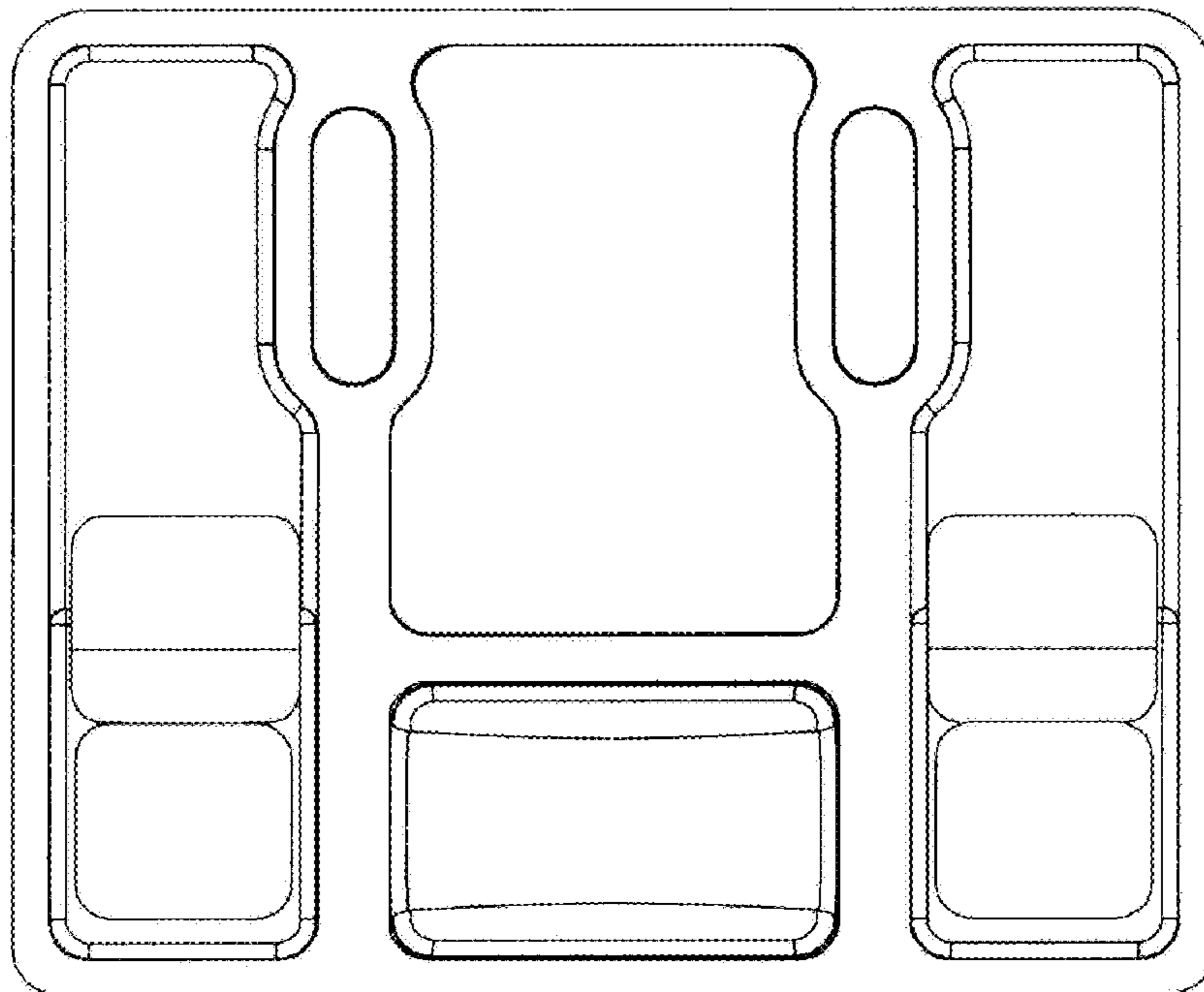


FIG. 10

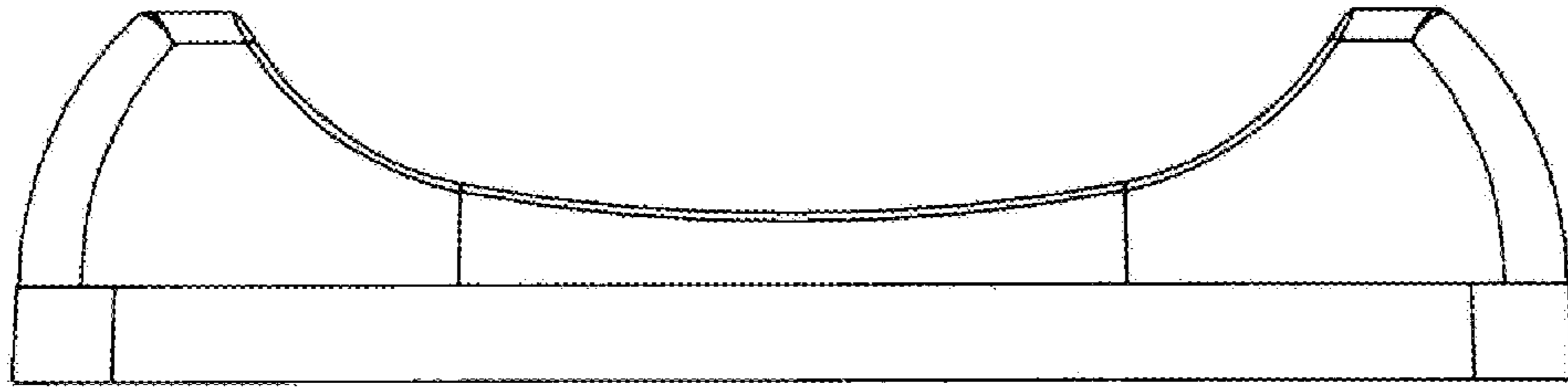


FIG. 9

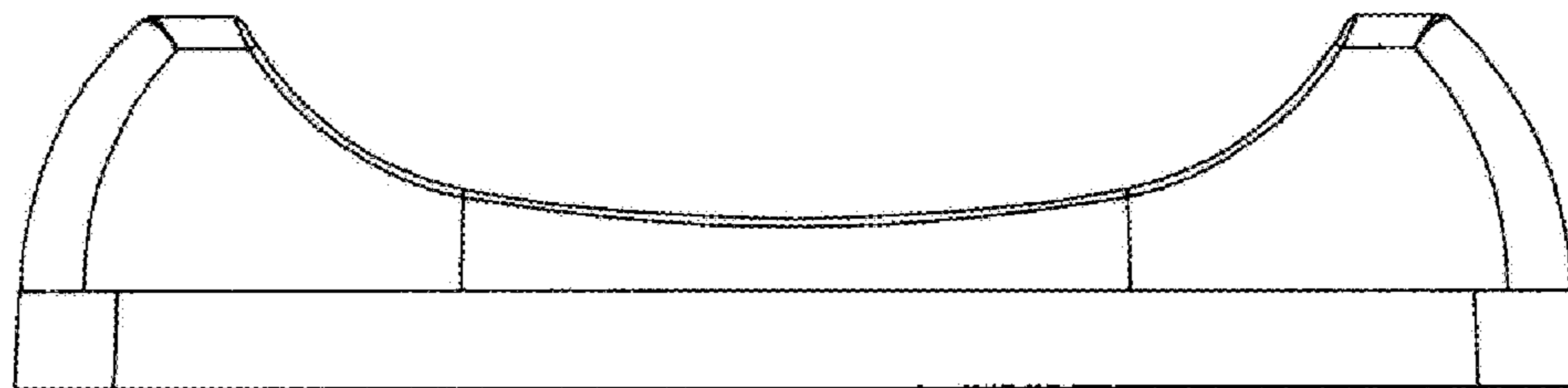


FIG. 11

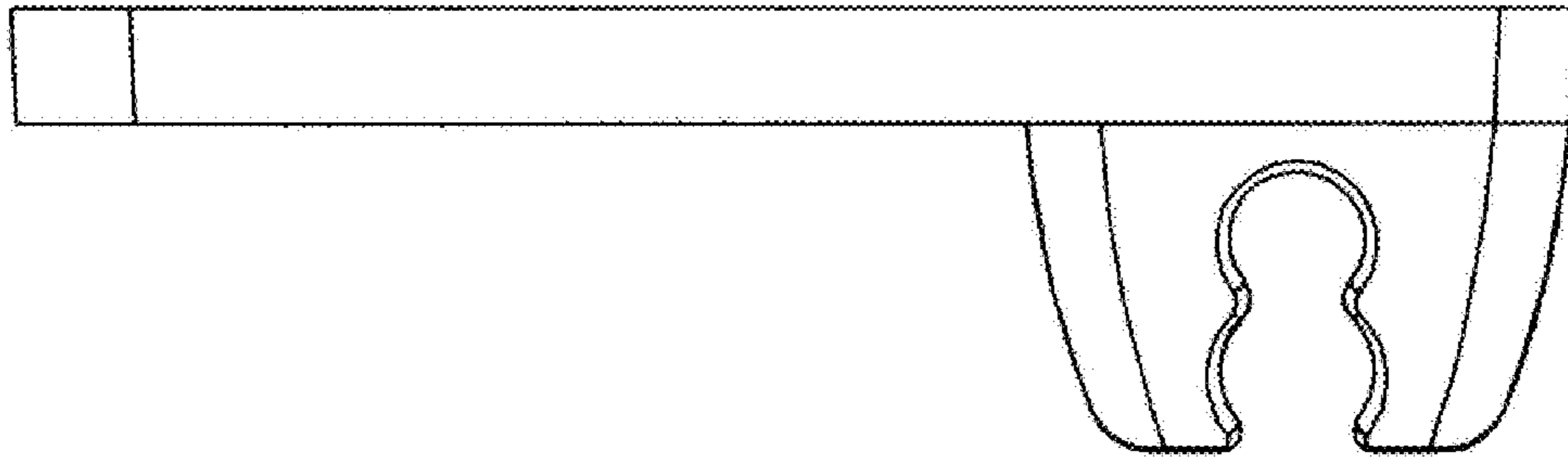


FIG. 12

