

US00D664228S

(12) **United States Design Patent**
Hsiang

(10) **Patent No.:** **US D664,228 S**

(45) **Date of Patent:** **** Jul. 24, 2012**

(54) **TRAMPOLINE STRUCTURE**

(76) **Inventor:** **Hua-Lu Hsiang**, Dong Guan (CN)

(**) **Term:** **14 Years**

(21) **Appl. No.:** **29/391,716**

(22) **Filed:** **May 12, 2011**

(51) **LOC (9) Cl.** **21-02**

(52) **U.S. Cl.** **D21/797**

(58) **Field of Classification Search** D21/662,
D21/671, 686, 694, 797, 814; 482/27, 28,
482/29

See application file for complete search history.

(56) **References Cited**

U.S. PATENT DOCUMENTS

4,433,838	A *	2/1984	Gordon	473/473
4,453,558	A *	6/1984	Ochs et al.	135/121
6,607,468	B1 *	8/2003	Nichols et al.	482/27
D564,060	S *	3/2008	Adams	D21/814
D570,930	S *	6/2008	VanElverdinghe	D21/694
D570,947	S *	6/2008	Horne	D21/797
D572,777	S *	7/2008	VanElverdinghe	D21/694
D576,229	S *	9/2008	VanElverdinghe	D21/694

D614,715	S *	4/2010	Mann	D21/797
7,708,667	B2 *	5/2010	Alexander	482/27
D630,285	S *	1/2011	Hsiang	D21/797
8,012,066	B1 *	9/2011	Hsiang	482/27
D653,299	S *	1/2012	Samuel	D21/797

* cited by examiner

Primary Examiner — Susan E Krakower

(74) *Attorney, Agent, or Firm* — Clement Cheng

(57) **CLAIM**

The ornamental design for a trampoline structure, as shown and described.

DESCRIPTION

FIG. 1 is a perspective view.

FIG. 2 is a front view.

FIG. 3 is a rear view.

FIG. 4 is a left side view.

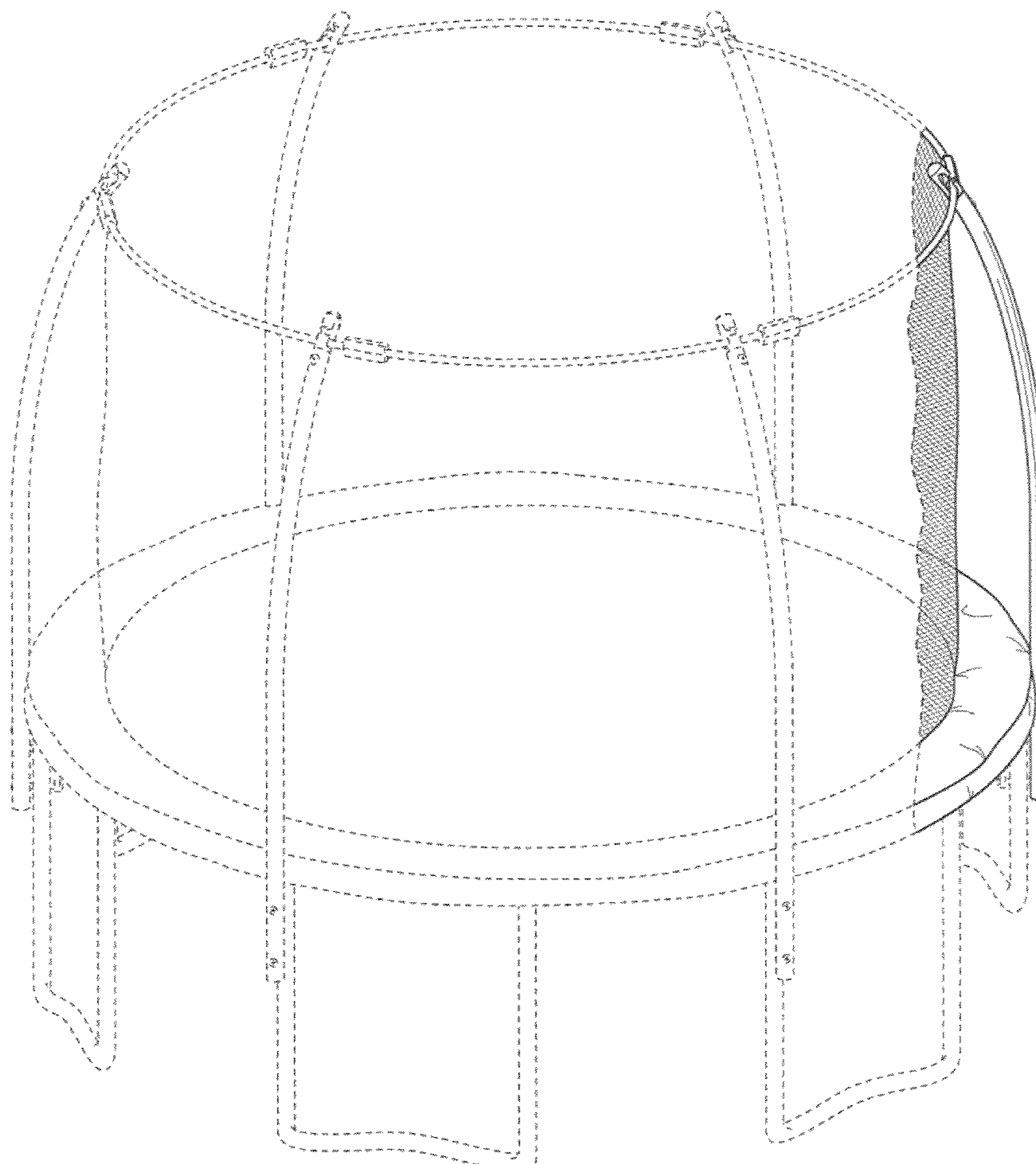
FIG. 5 is a right side view.

FIG. 6 is a top view; and,

FIG. 7 is a bottom view.

The broken lines illustrate portions of the trampoline which form no part of the claimed design.

1 Claim, 7 Drawing Sheets



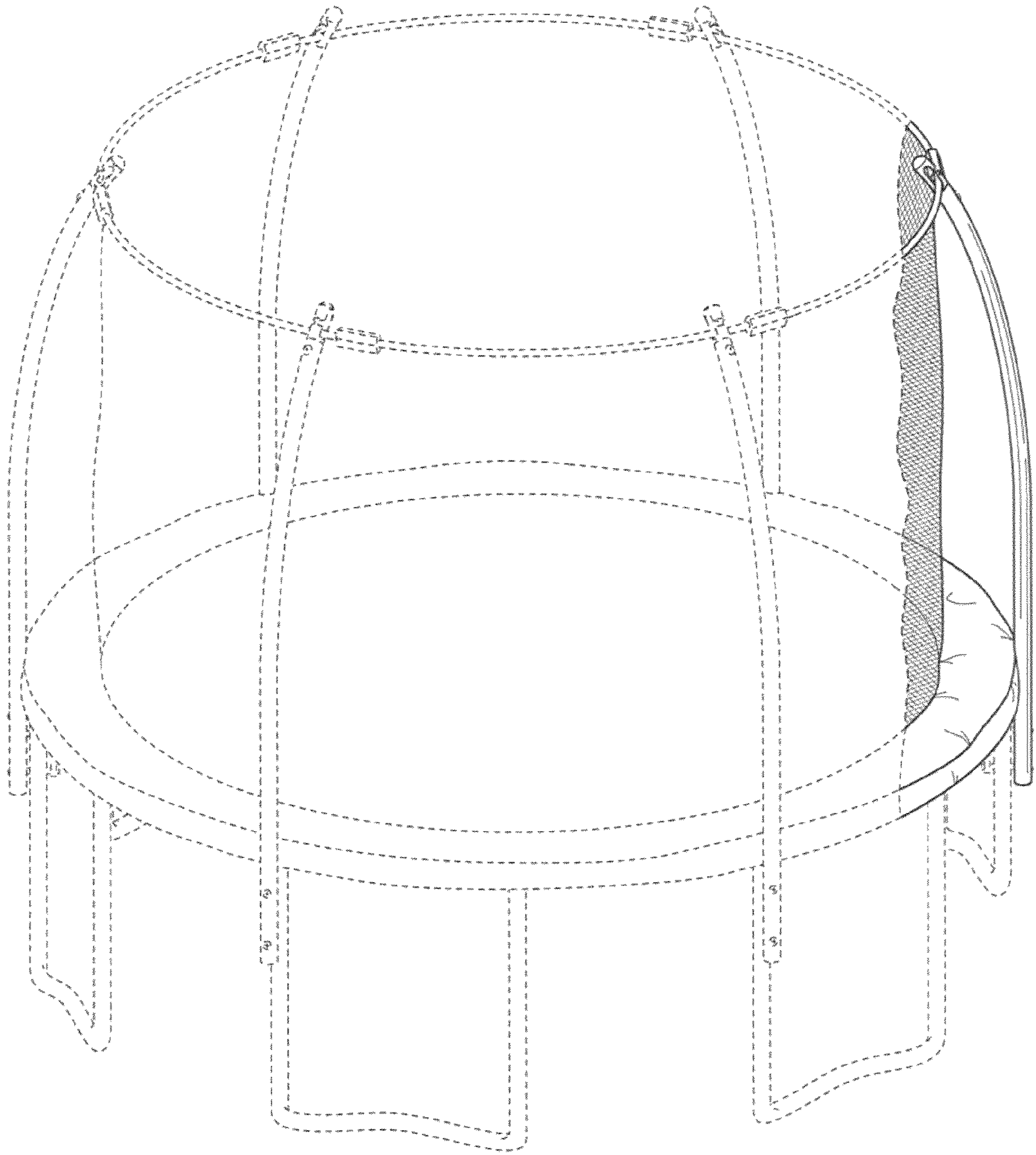


FIG. 1

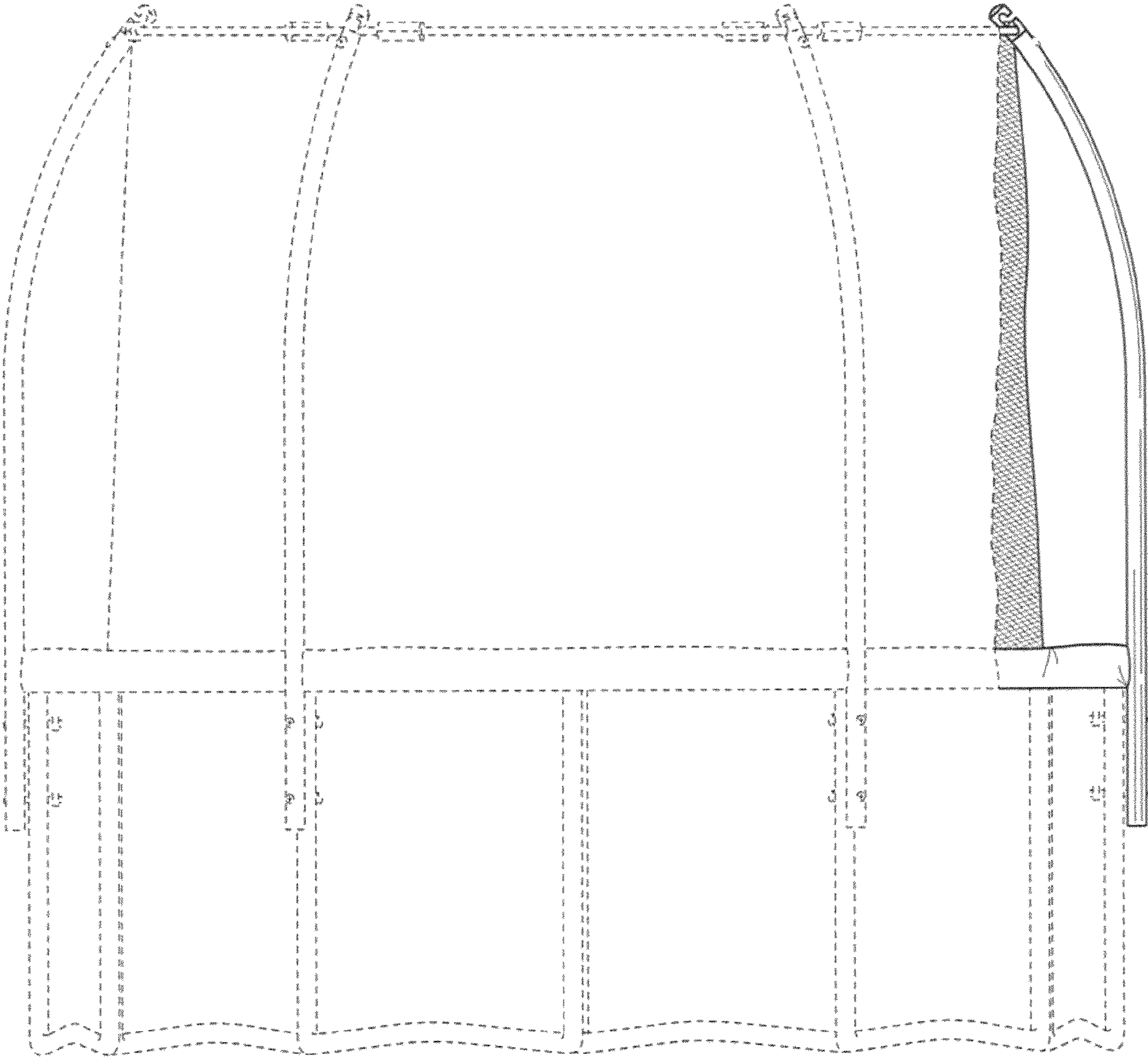


FIG. 2

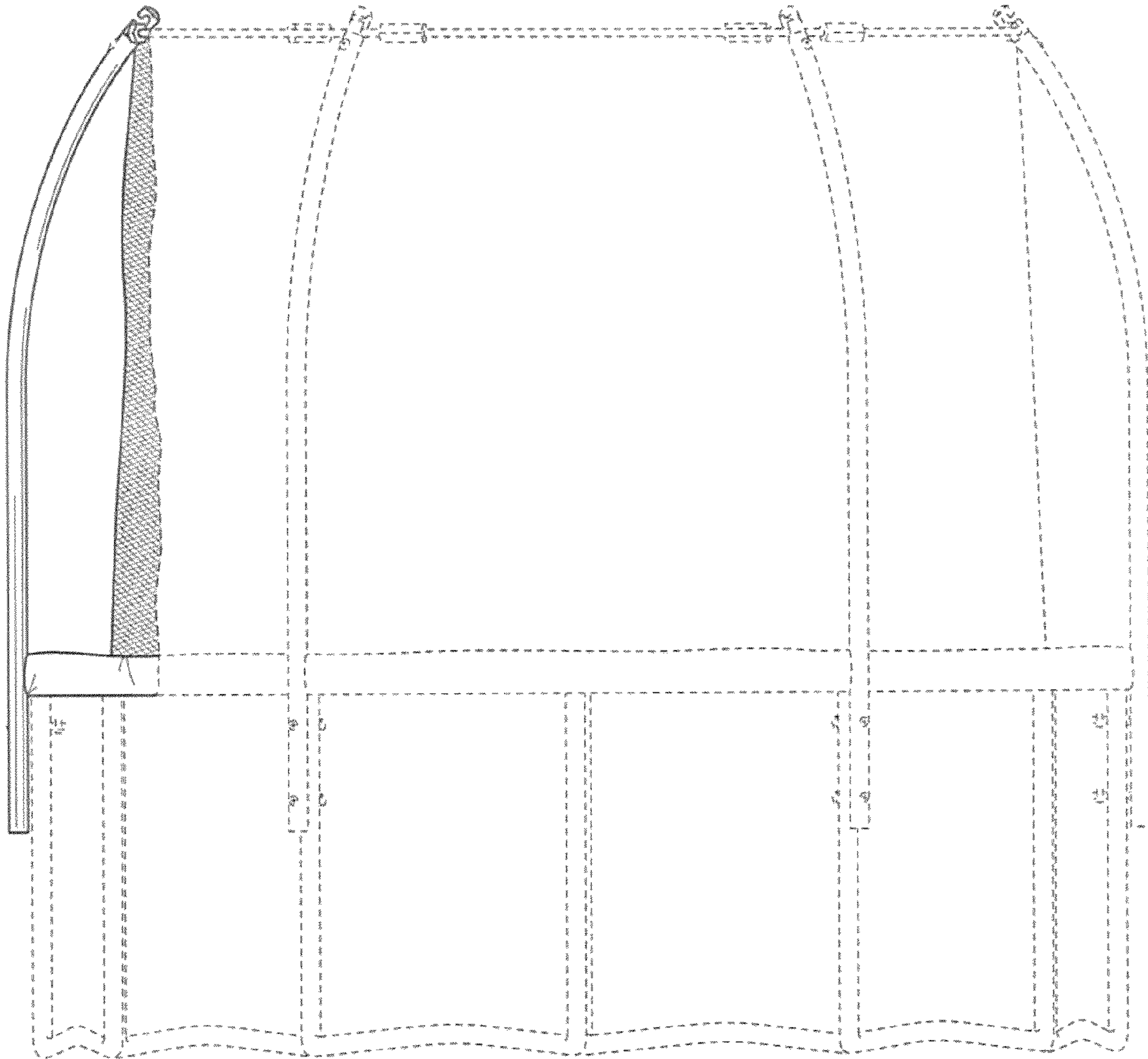


FIG. 3

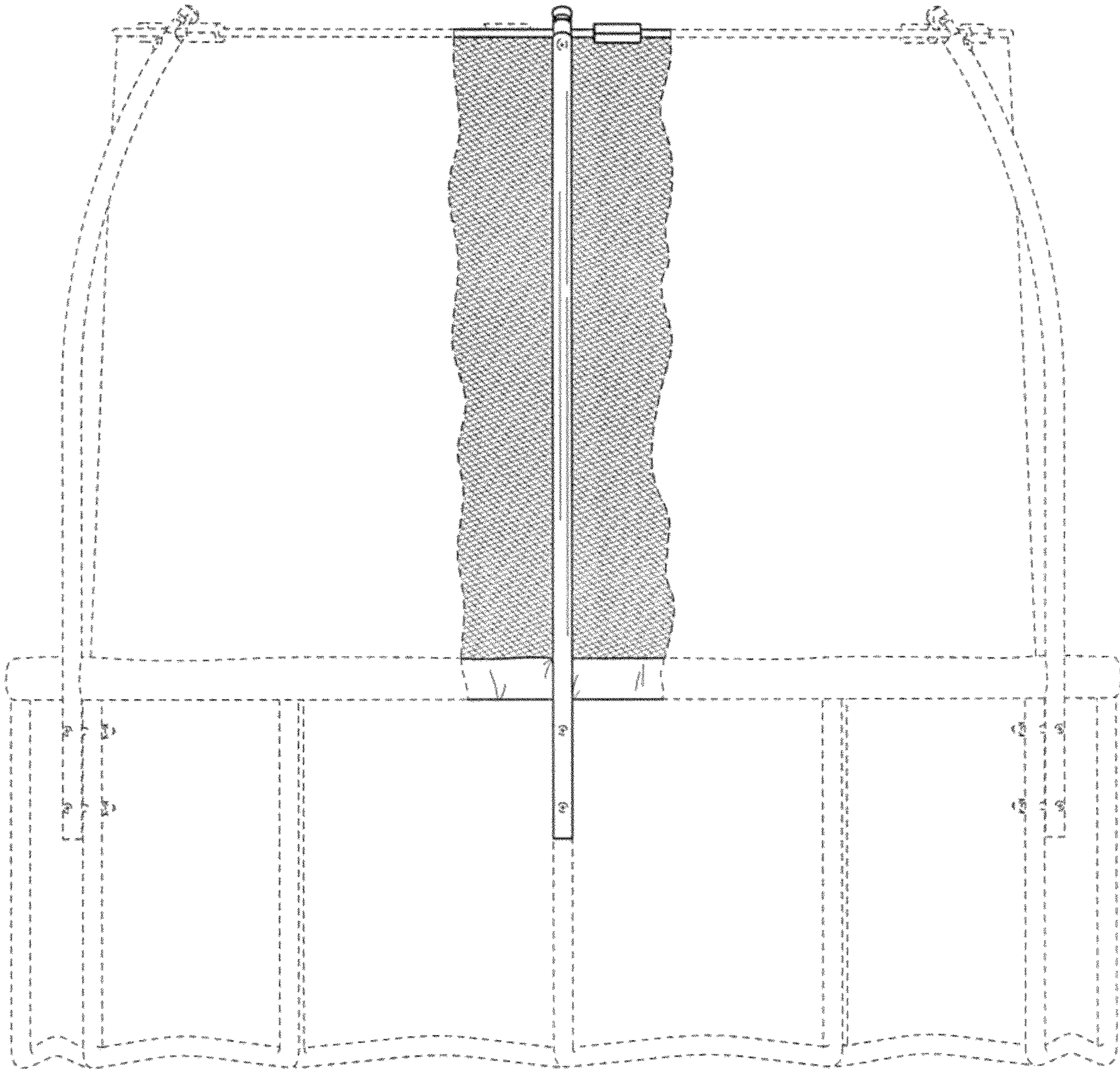


FIG. 4

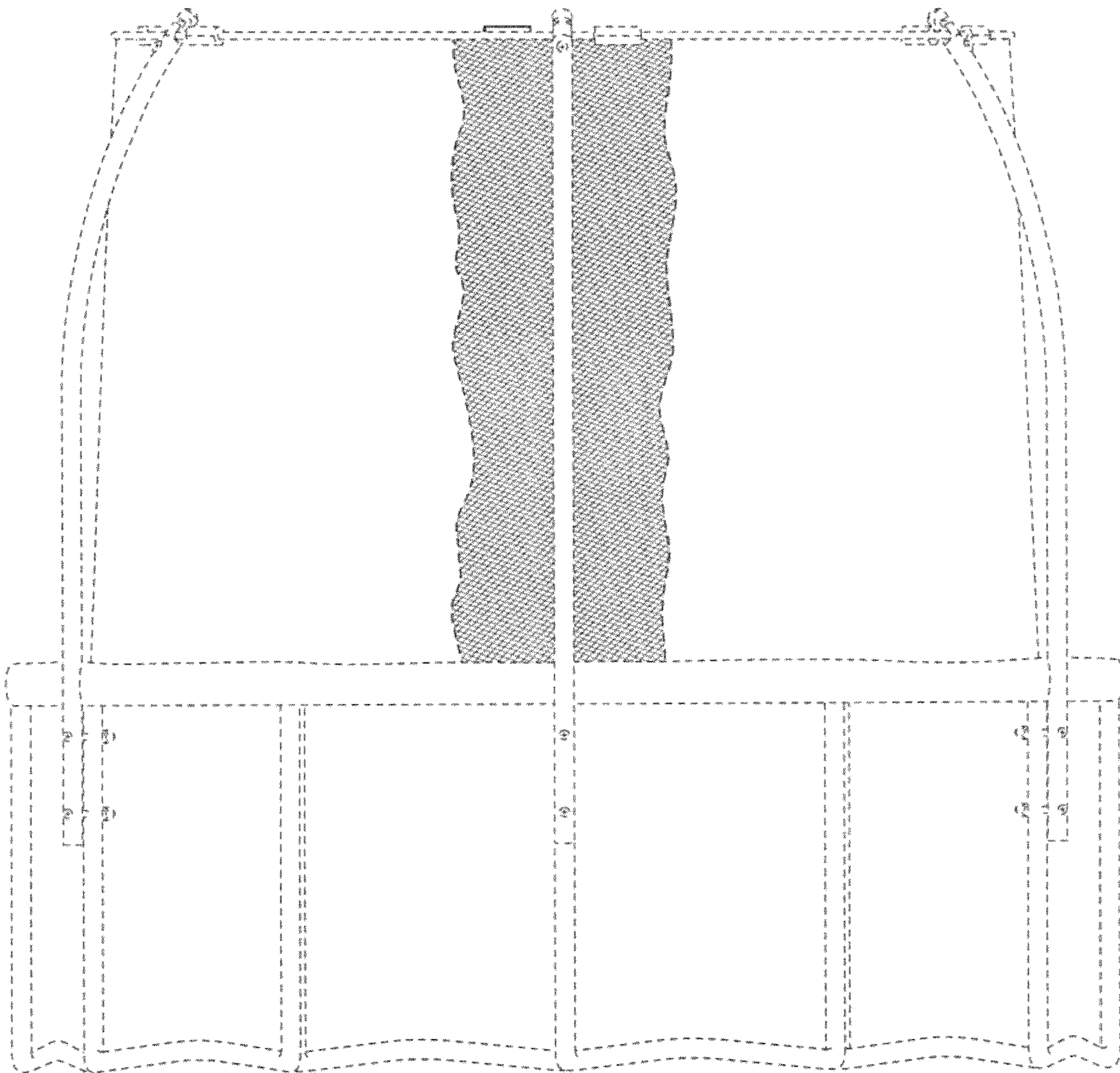


FIG. 5

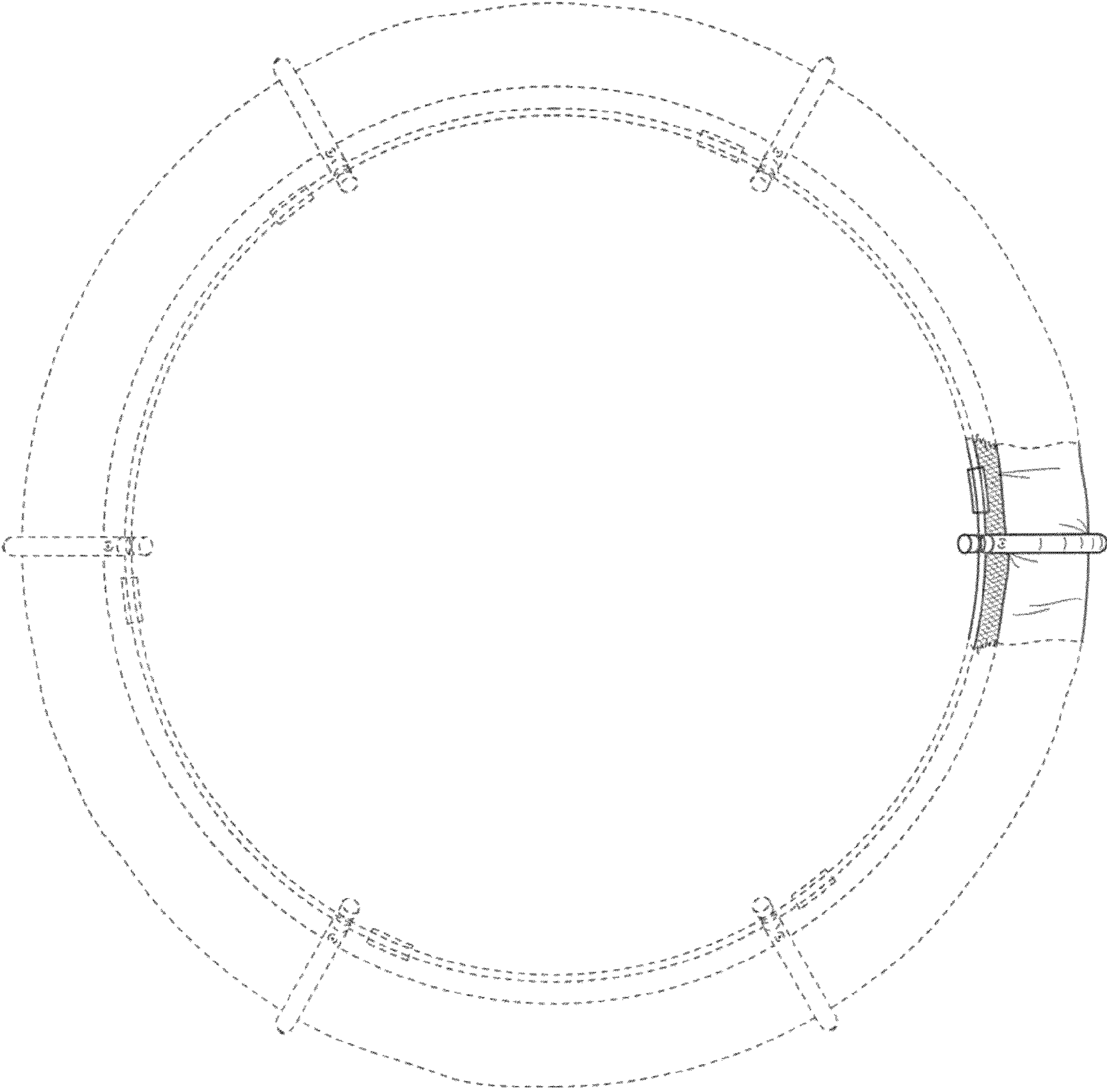


FIG. 6

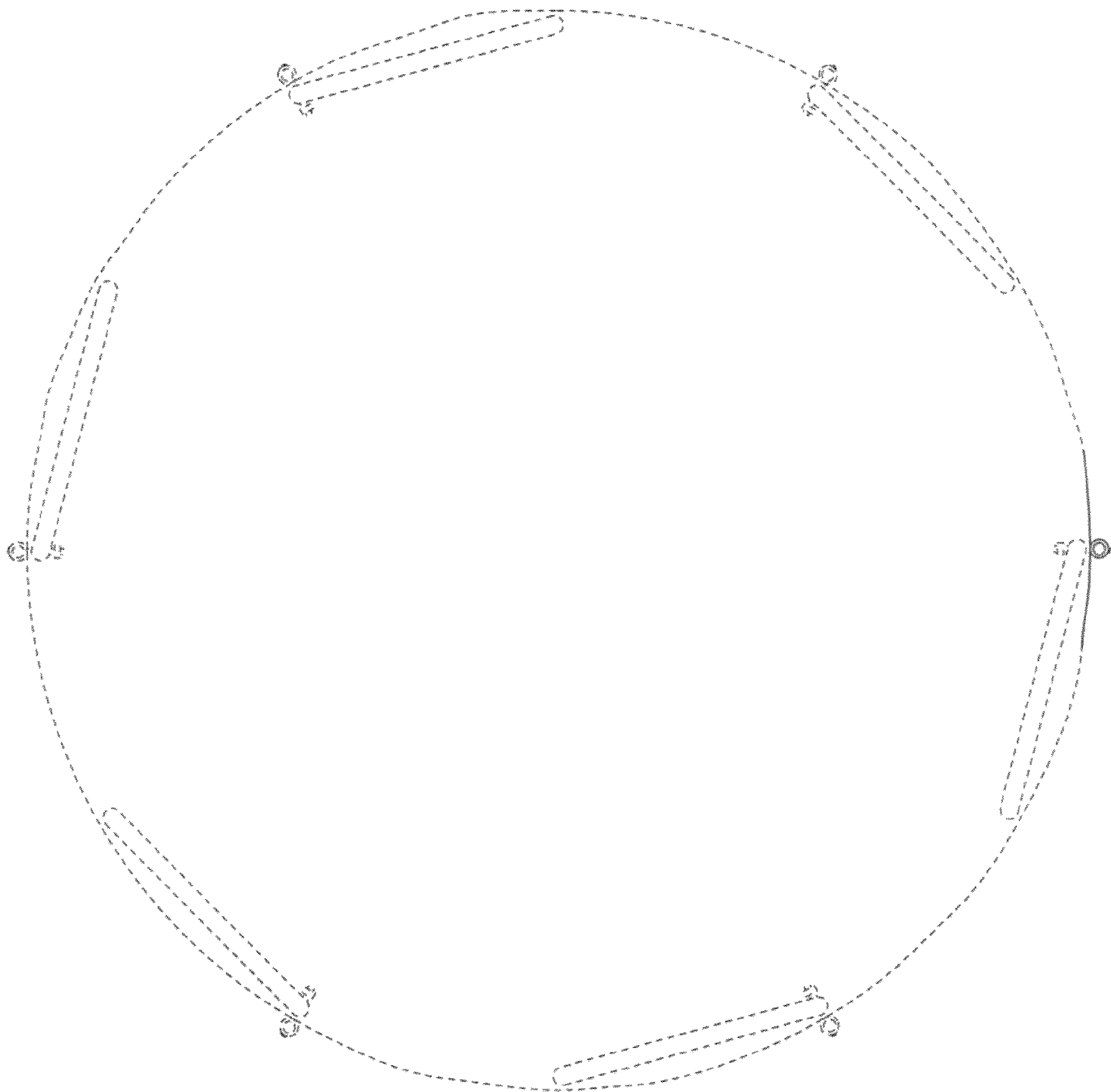


FIG. 7