

US00D664227S

(12) **United States Design Patent**
Guiney

(10) **Patent No.:** **US D664,227 S**

(45) **Date of Patent:** **** Jul. 24, 2012**

(54) **CLIMBING AID**

(76) **Inventor:** **Stephen Raymond Guiney, Karori (NZ)**

(**) **Term:** **14 Years**

(21) **Appl. No.:** **29/347,472**

(22) **Filed:** **Feb. 1, 2010**

(51) **LOC (9) Cl.** **21-02**

(52) **U.S. Cl.** **D21/771**

(58) **Field of Classification Search** D21/768,
D21/769, 771-774; 36/1, 1.5, 2 R, 2 A, 2 B,
36/122-125; D29/120.1, 120.2, 122; 2/22-24;
D2/962, 963

See application file for complete search history.

6,195,919 B1 * 3/2001 Forrest et al. 36/122
6,367,173 B2 * 4/2002 Lancon 36/122
D461,936 S 8/2002 Fiorini et al.
D504,980 S * 5/2005 Le Carpentier D29/120.1
7,204,819 B2 4/2007 Berger

* cited by examiner

Primary Examiner — Zenia Bennett

(74) *Attorney, Agent, or Firm* — Nixon & Vanderhye P.C.

(57) **CLAIM**

The ornamental design for a climbing aid, as shown.

DESCRIPTION

FIG. 1 is a front perspective view showing a climbing aid according to my new design;
FIG. 2 is a front view thereof;
FIG. 3 is a rear view thereof;
FIG. 4 is a top view thereof;
FIG. 5 is a bottom view thereof;
FIG. 6 is a right side view thereof; and,
FIG. 7 is a left side view thereof.

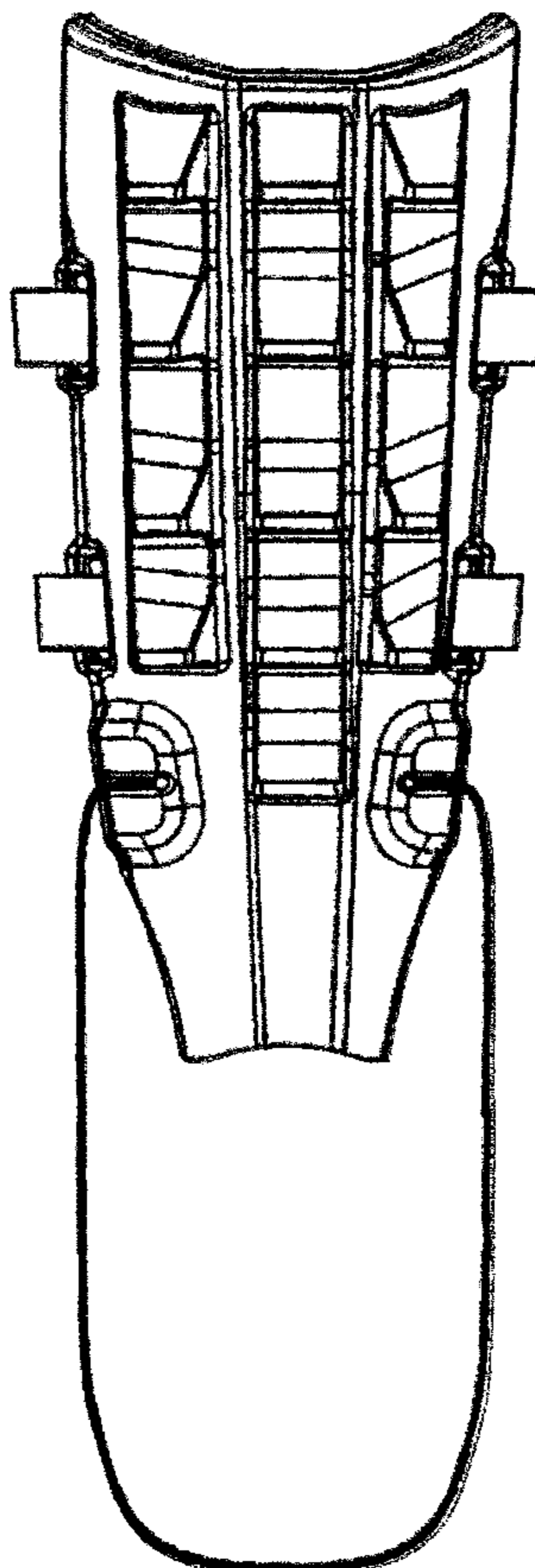
The broken lines showing environment or structure of the climbing aid are for illustrative purposes only and form no part of the claimed design.

(56) **References Cited**

U.S. PATENT DOCUMENTS

3,981,526	A	9/1976	Lundqvist	
4,480,396	A *	11/1984	Lowe et al.	36/7.6
4,833,729	A	5/1989	Fox et al.	
D342,150	S *	12/1993	Nava	D2/962
D361,869	S *	8/1995	Paffett et al.	D29/120.1
5,452,475	A	9/1995	Hunt	
D374,746	S *	10/1996	Skottheim	D29/120.1
5,652,956	A *	8/1997	Hoshizaki et al.	2/22
D388,243	S *	12/1997	Lupo	D2/963
D404,552	S *	1/1999	Lupo	D2/963
D431,693	S *	10/2000	Urquhart et al.	D29/120.1

1 Claim, 6 Drawing Sheets



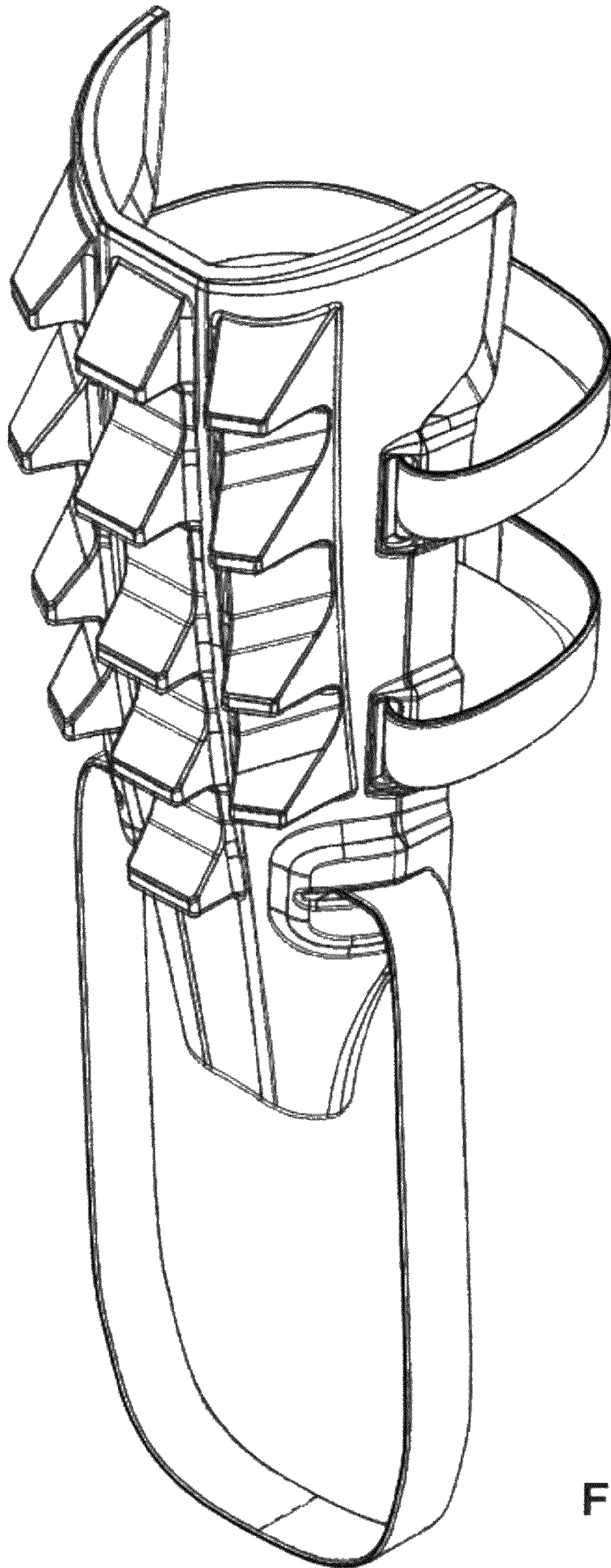


FIG. 1

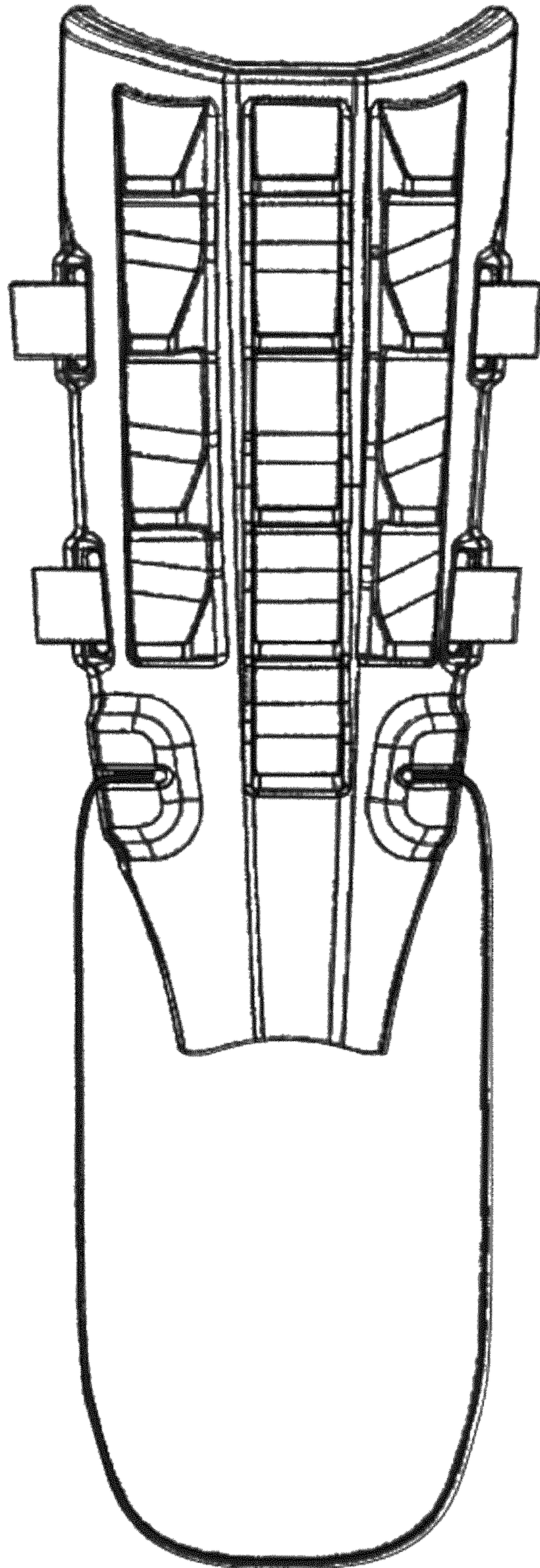


FIG. 2

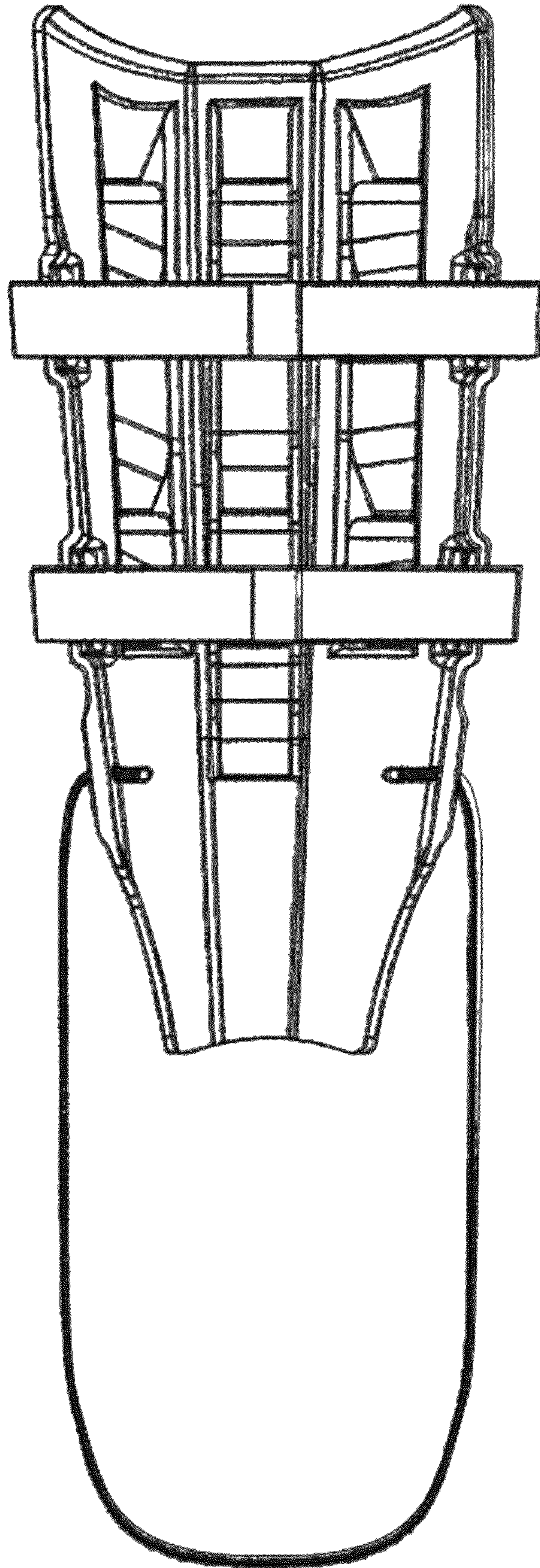


FIG. 3

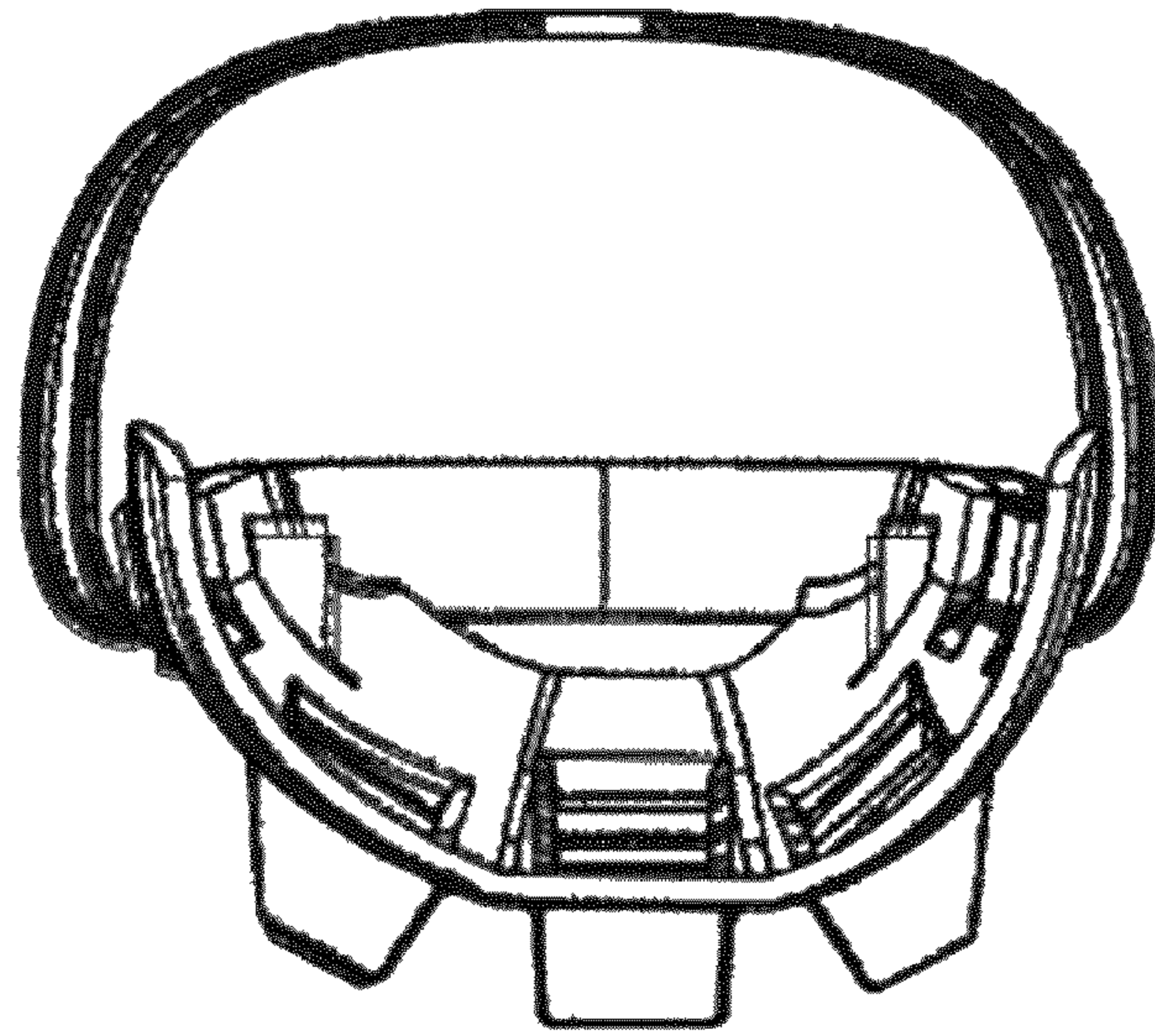


FIG. 4

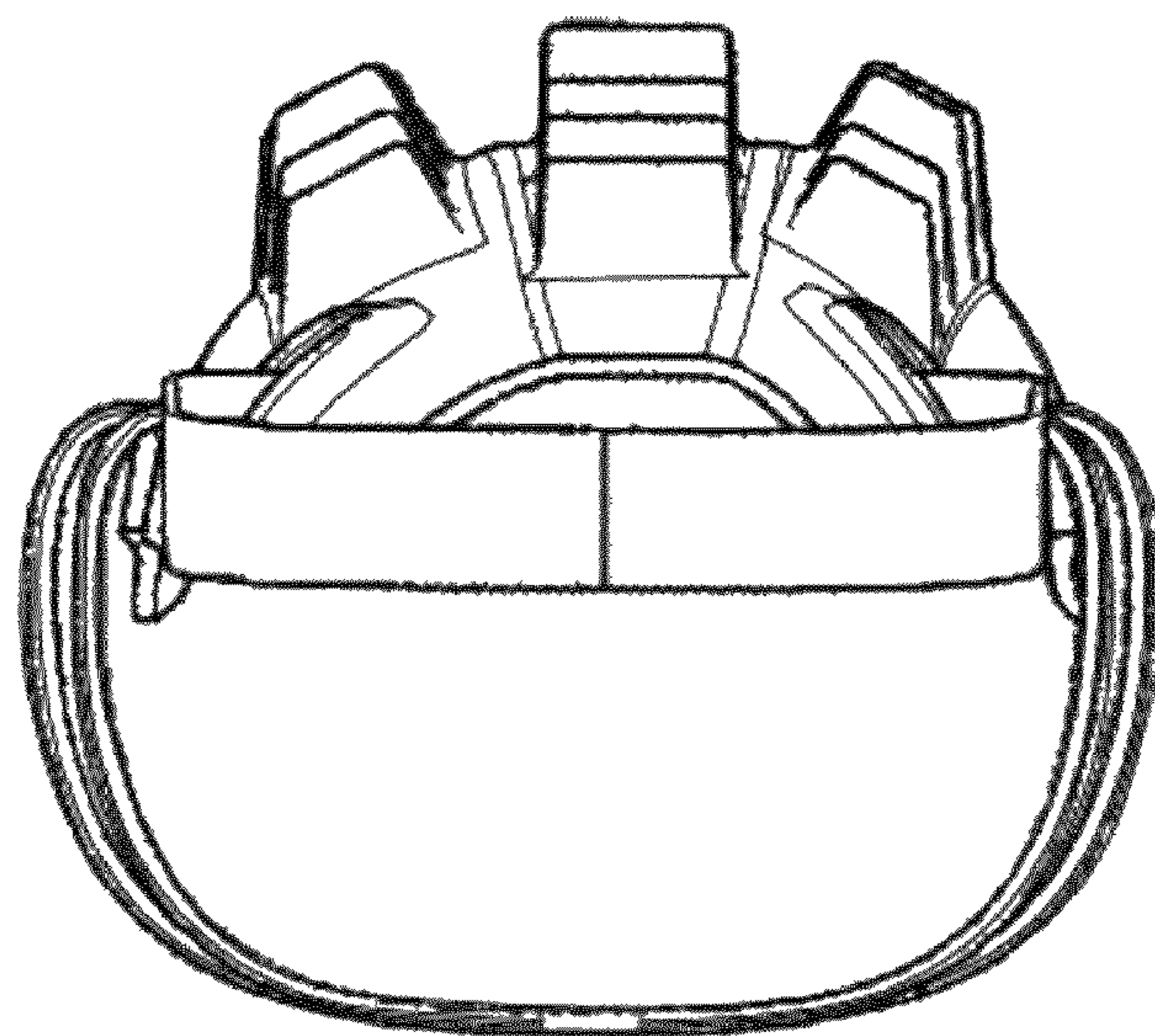


FIG. 5

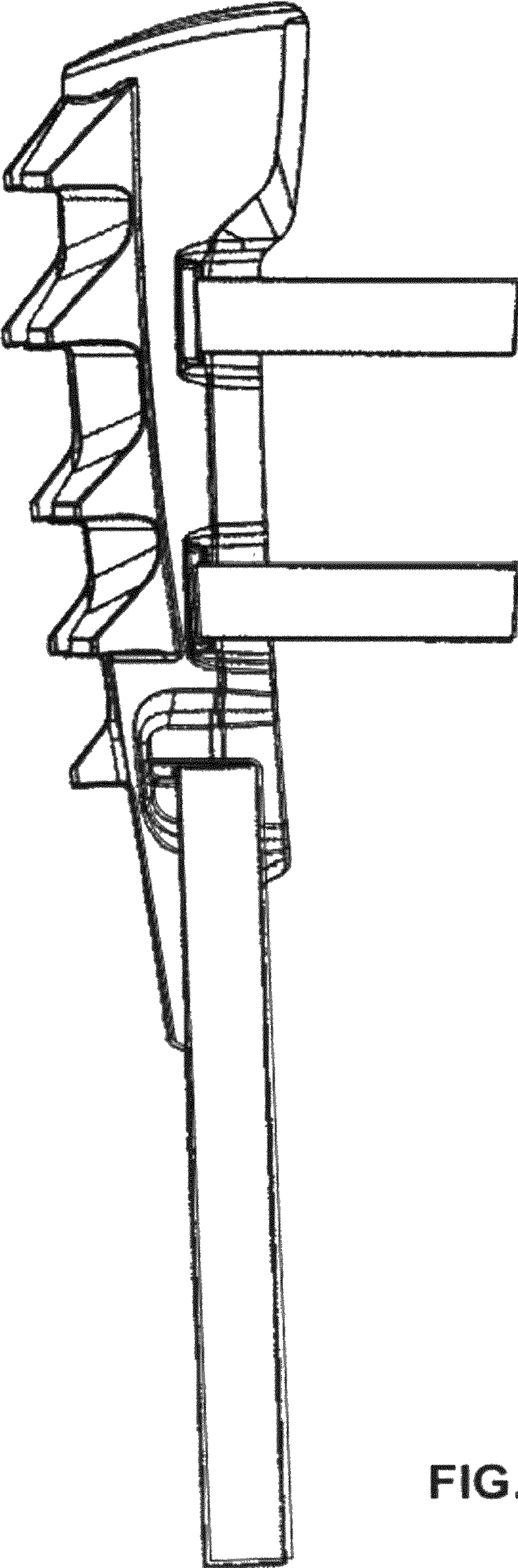


FIG. 6

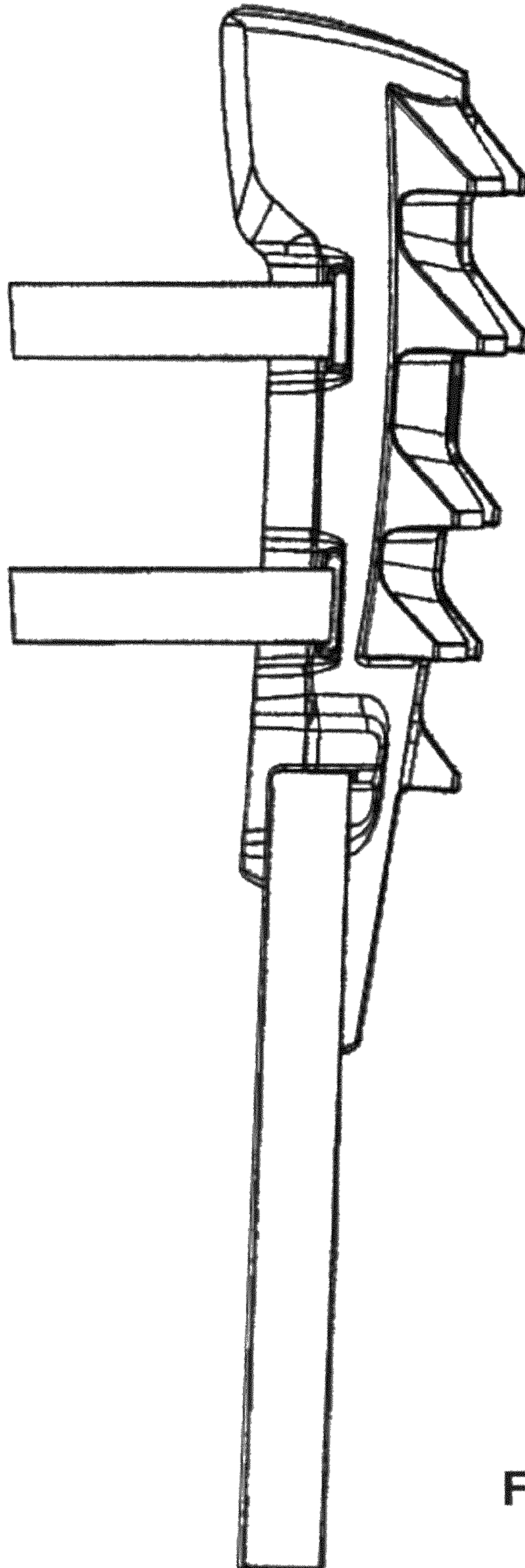


FIG. 7