



US00D664221S

(12) **United States Design Patent**
Spiegel

(10) **Patent No.:** **US D664,221 S**

(45) **Date of Patent:** **** Jul. 24, 2012**

(54) **FOOTBALL TEE**

(75) Inventor: **H. Jay Spiegel**, Mount Vernon, VA (US)

(73) Assignee: **Premium Products, Inc.**

(**) Term: **14 Years**

(21) Appl. No.: **29/371,646**

(22) Filed: **Jun. 23, 2011**

(51) **LOC (9) Cl.** **21-02**

(52) **U.S. Cl.** **D21/716**

(58) **Field of Classification Search** D21/715–717,
D21/788; D30/147–149; 473/417–420,
473/438, 569; 168/26–28, DIG. 2

See application file for complete search history.

(56) **References Cited**

U.S. PATENT DOCUMENTS

39,926	A *	9/1863	Howe	168/28
D29,580	S *	11/1898	Whitaker	D30/149
D29,581	S *	11/1898	Whitaker	D30/149
D30,731	S *	5/1899	Whitaker	D30/149
719,162	A *	1/1903	Tappe	168/28
733,656	A *	7/1903	Kent	168/28
4,655,453	A *	4/1987	Spiegel et al.	473/420
4,657,252	A *	4/1987	Spiegel	473/420
6,309,316	B1 *	10/2001	Spiegel	473/420
D507,315	S *	7/2005	Spiegel	D21/716
D507,814	S *	7/2005	Spiegel	D21/716
7,452,293	B2 *	11/2008	Spiegel	473/420

* cited by examiner

Primary Examiner — Catherine Tuttle

(74) *Attorney, Agent, or Firm* — H. Jay Spiegel

(57) **CLAIM**

The ornamental design for a football tee, as shown and described.

DESCRIPTION

FIG. 1 shows a perspective view of a first embodiment of my claimed design.

FIG. 2 shows a top view of my claimed design.

FIG. 3 shows a right side view of my claimed design, the left side view being a mirror image thereof;

FIG. 4 shows a front view of my claimed design.

FIG. 5 shows a rear view of my claimed design.

FIG. 6 shows a bottom view of my claimed design.

FIG. 7 shows a perspective view of a second embodiment of my claimed design, wherein the side, front, rear and bottom views are the same as in the first embodiment; and,

FIG. 8 shows a top view of the second embodiment of my claimed design.

The difference between the embodiment of FIGS. 1 and 2 on the one hand, and the embodiment of FIGS. 7 and 8 on the other hand is as follows: With reference to FIG. 2, the lower recess has a scalloped surface surrounding an opening with the scalloped surface including a plurality of apices consisting of arcuate lines. In the embodiment of FIGS. 7 and 8, the apices are not arcuate lines. Rather, they are thin, arcuate bands.

The broken lines are included in FIG. 6 for the purpose of illustrating a portion of the football tee that forms no part of the claimed design.

1 Claim, 4 Drawing Sheets

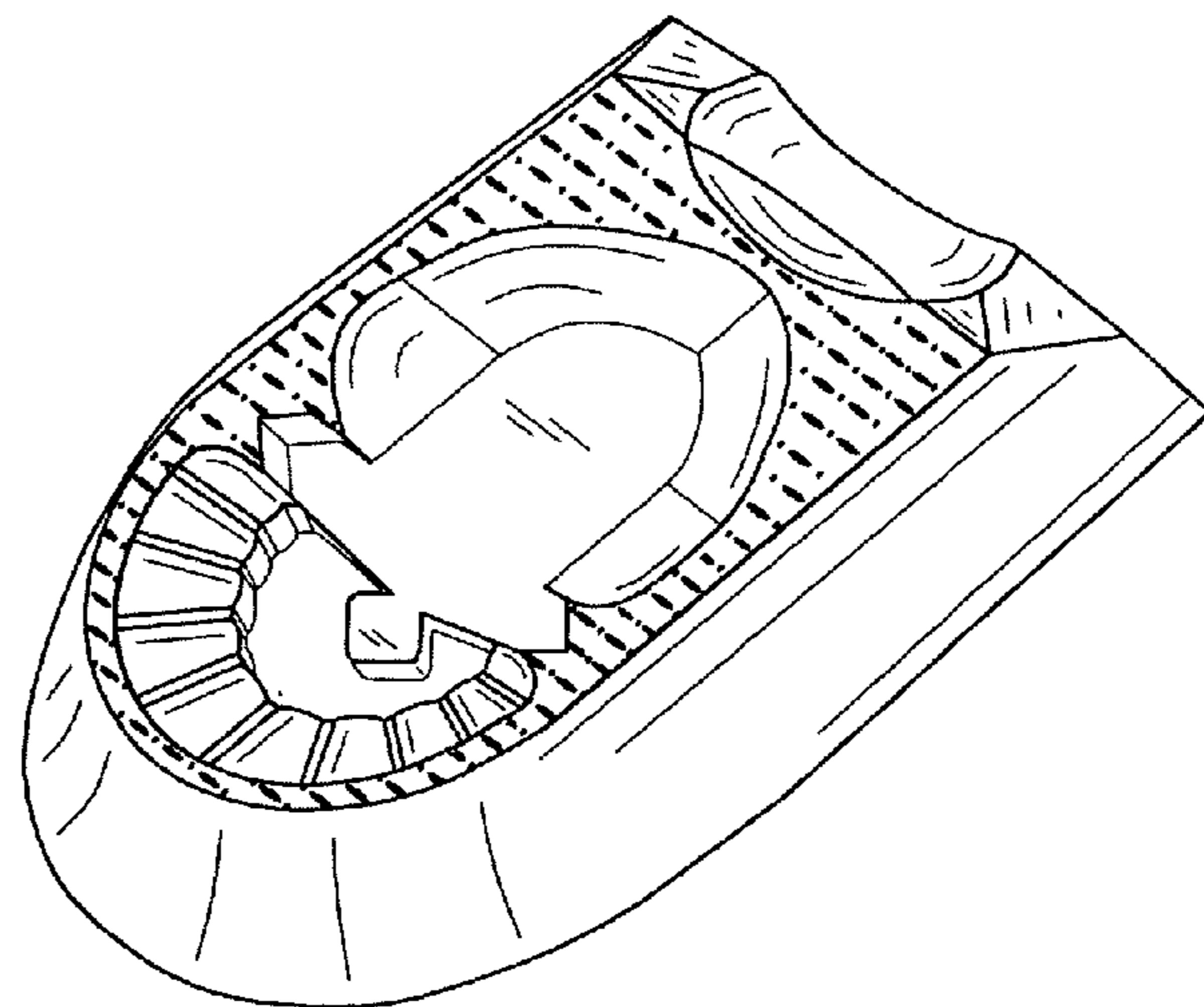
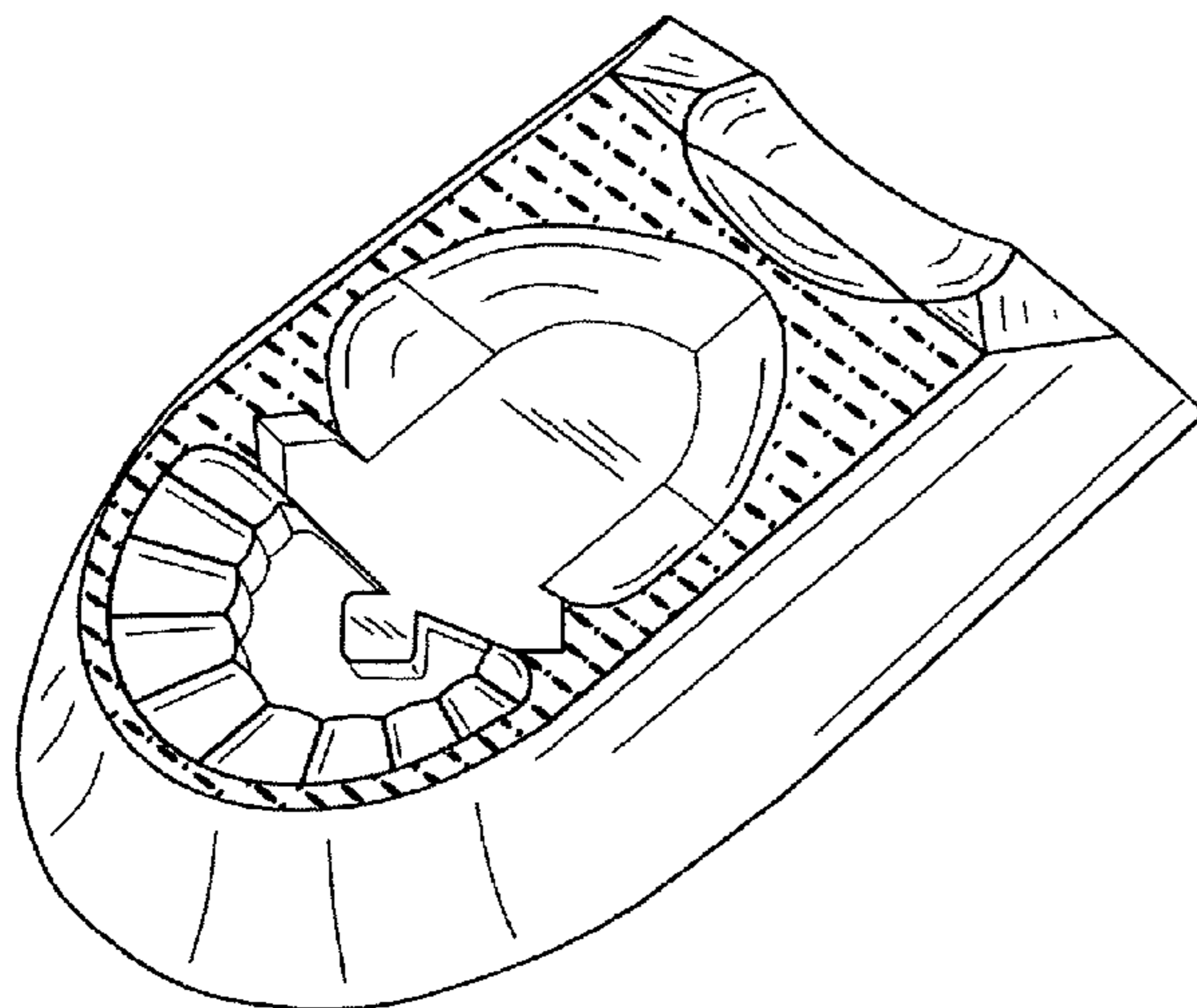


FIG. 1

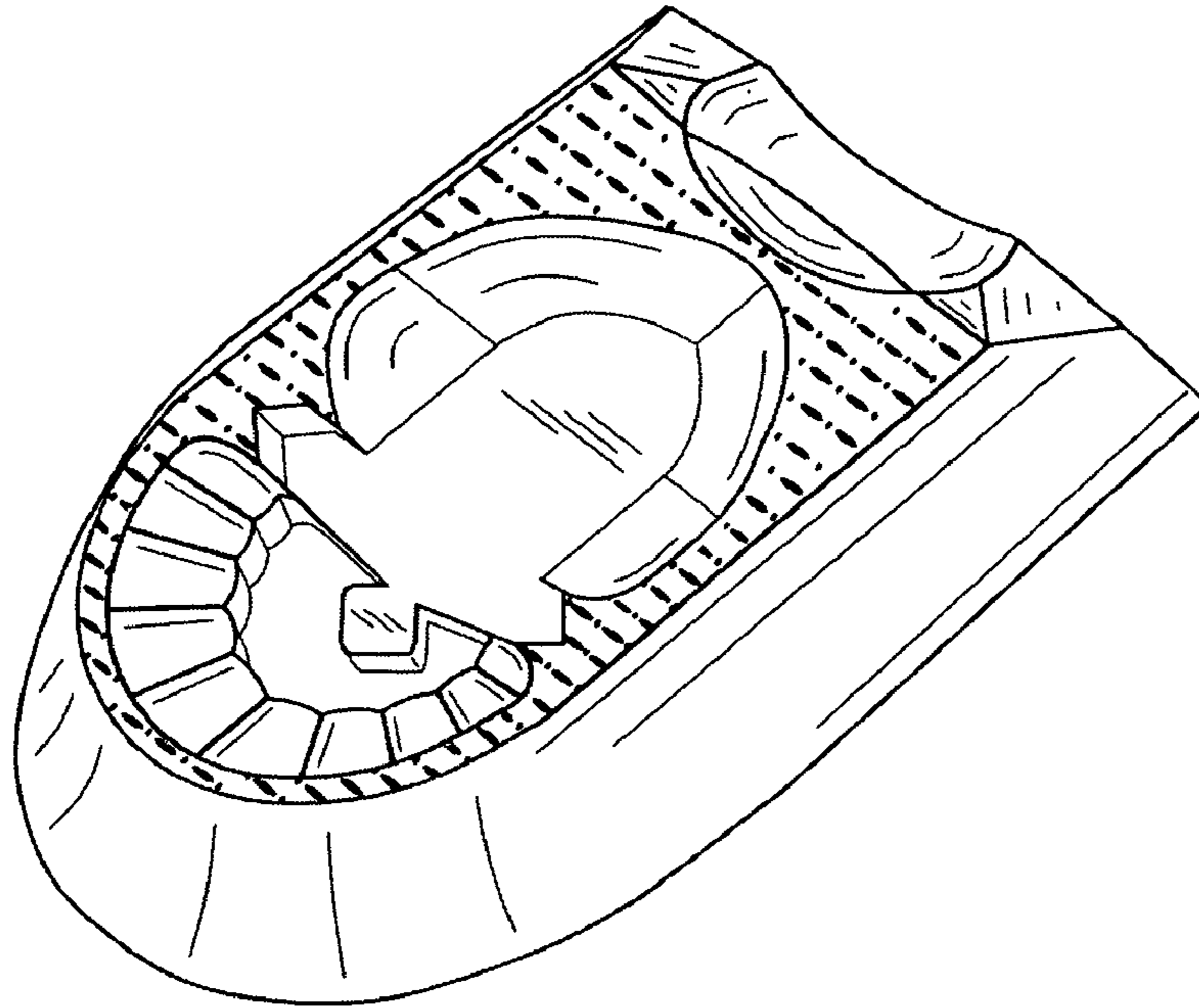


FIG. 2

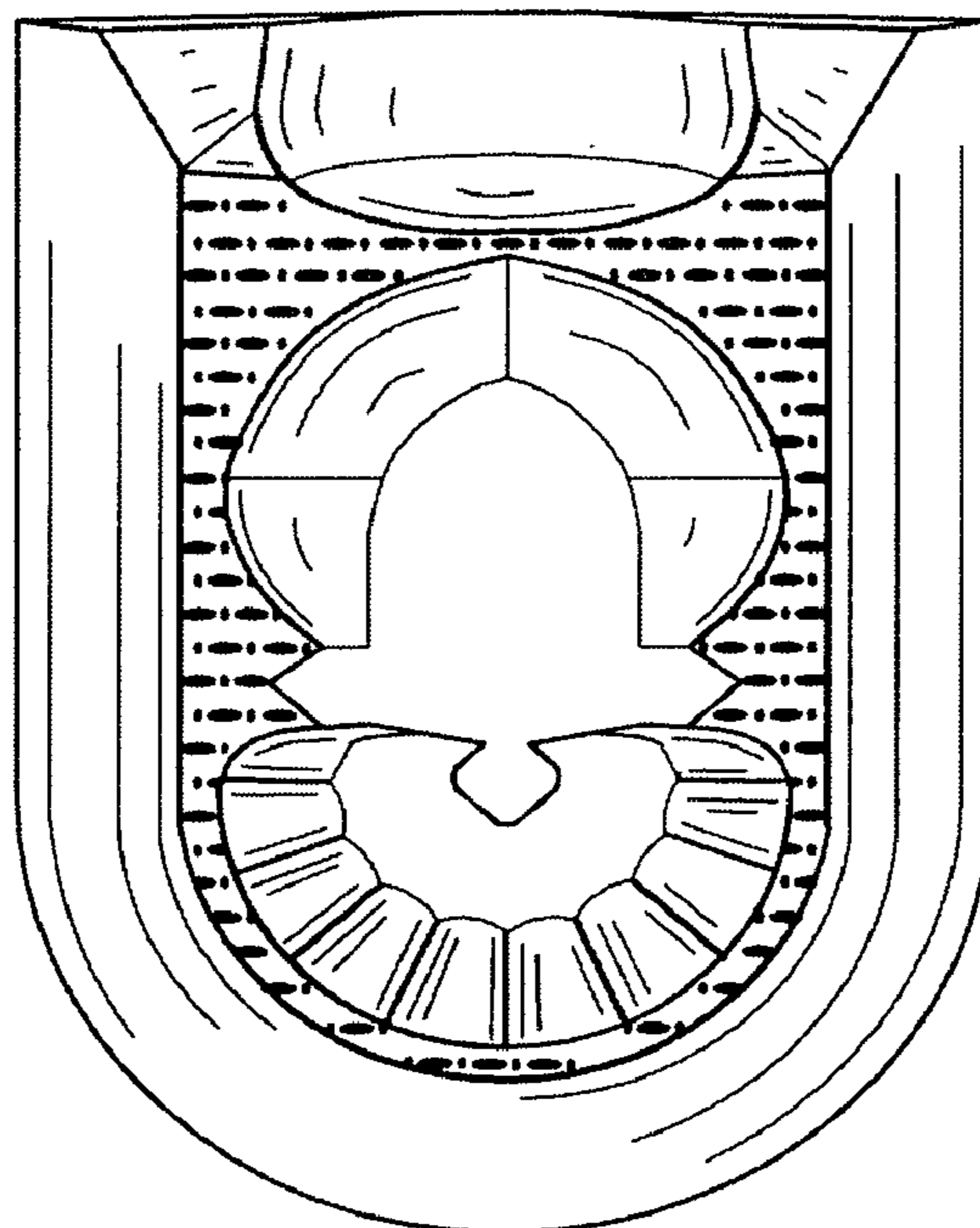


FIG. 3

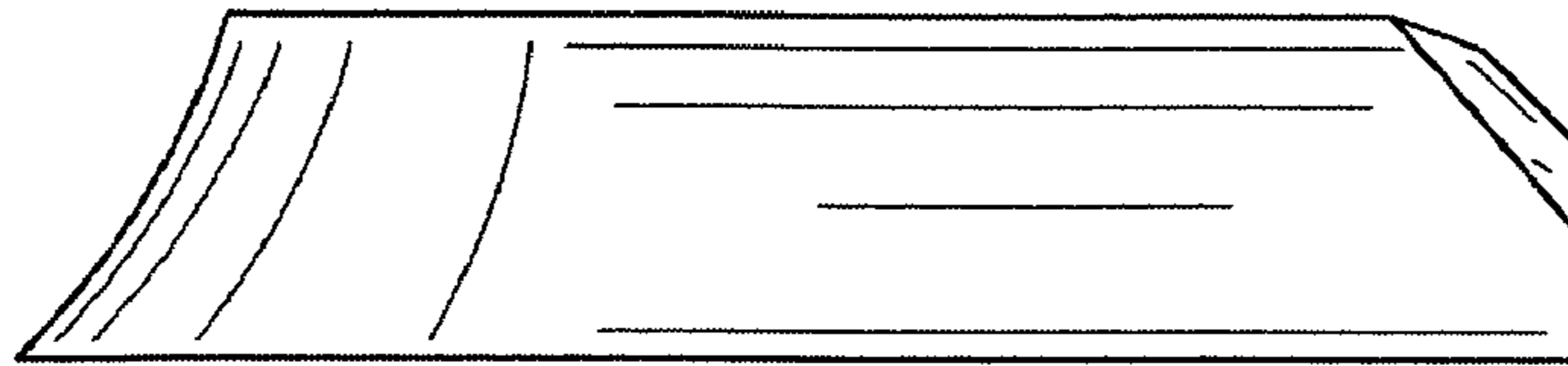


FIG. 4

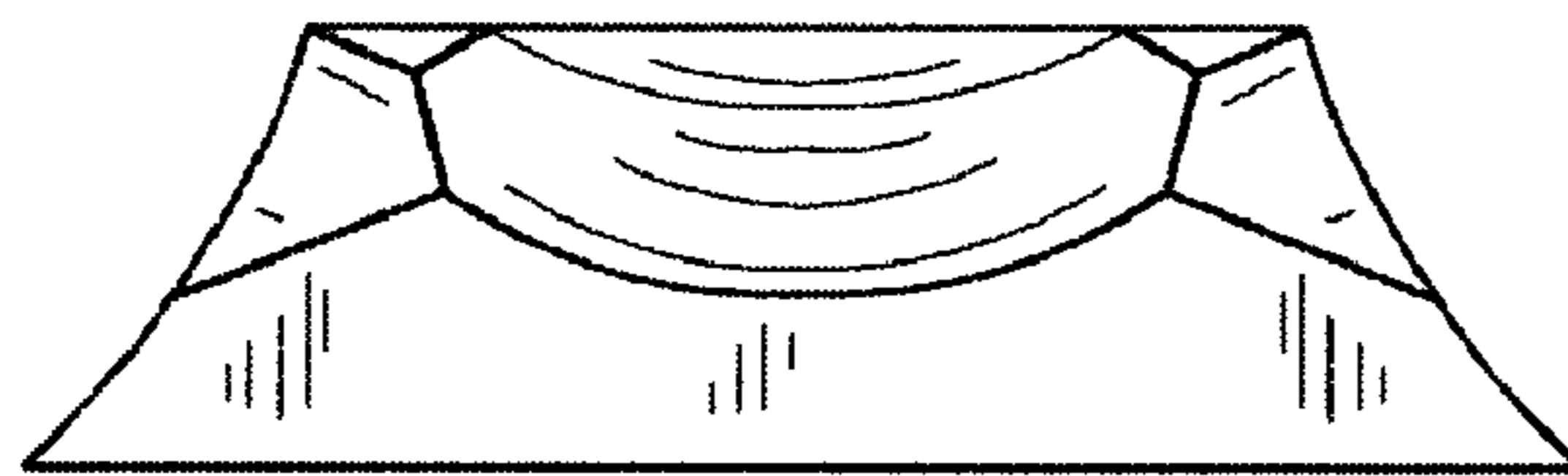


FIG. 5

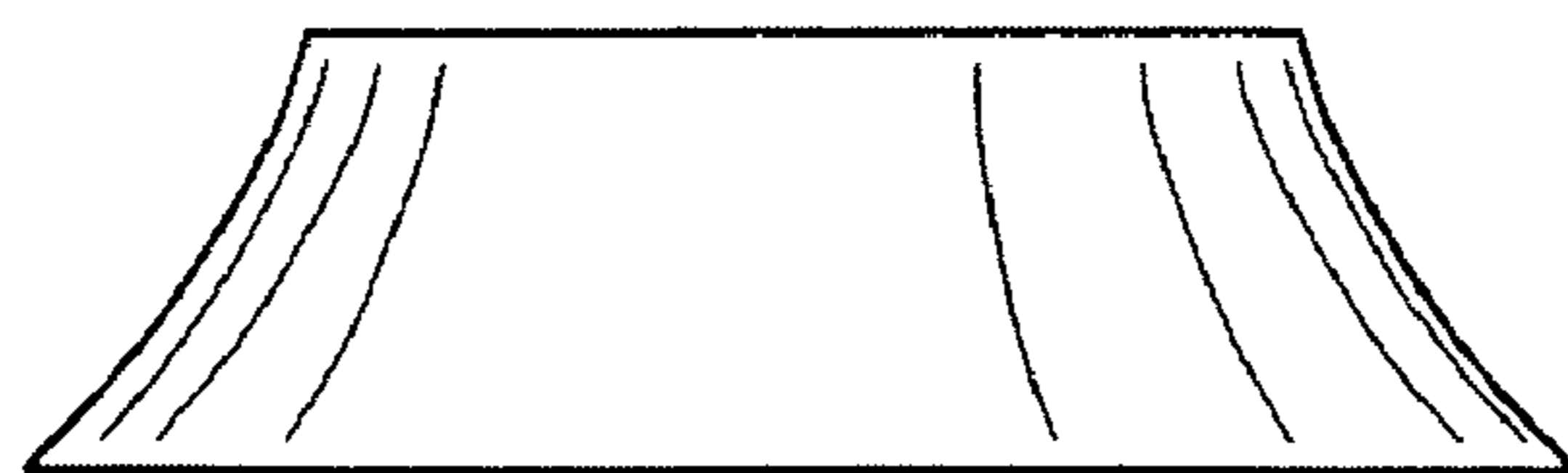


FIG. 6

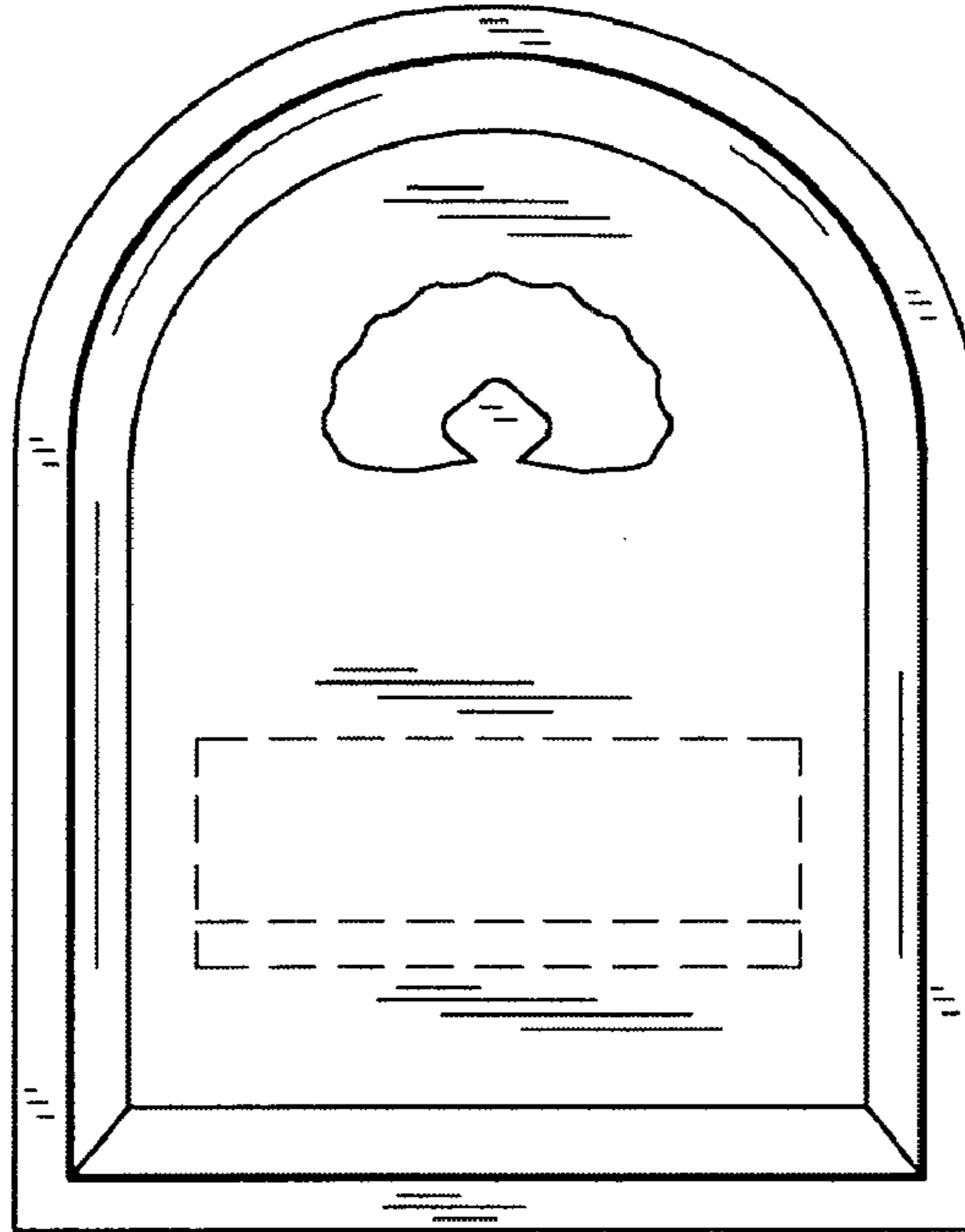


FIG. 7

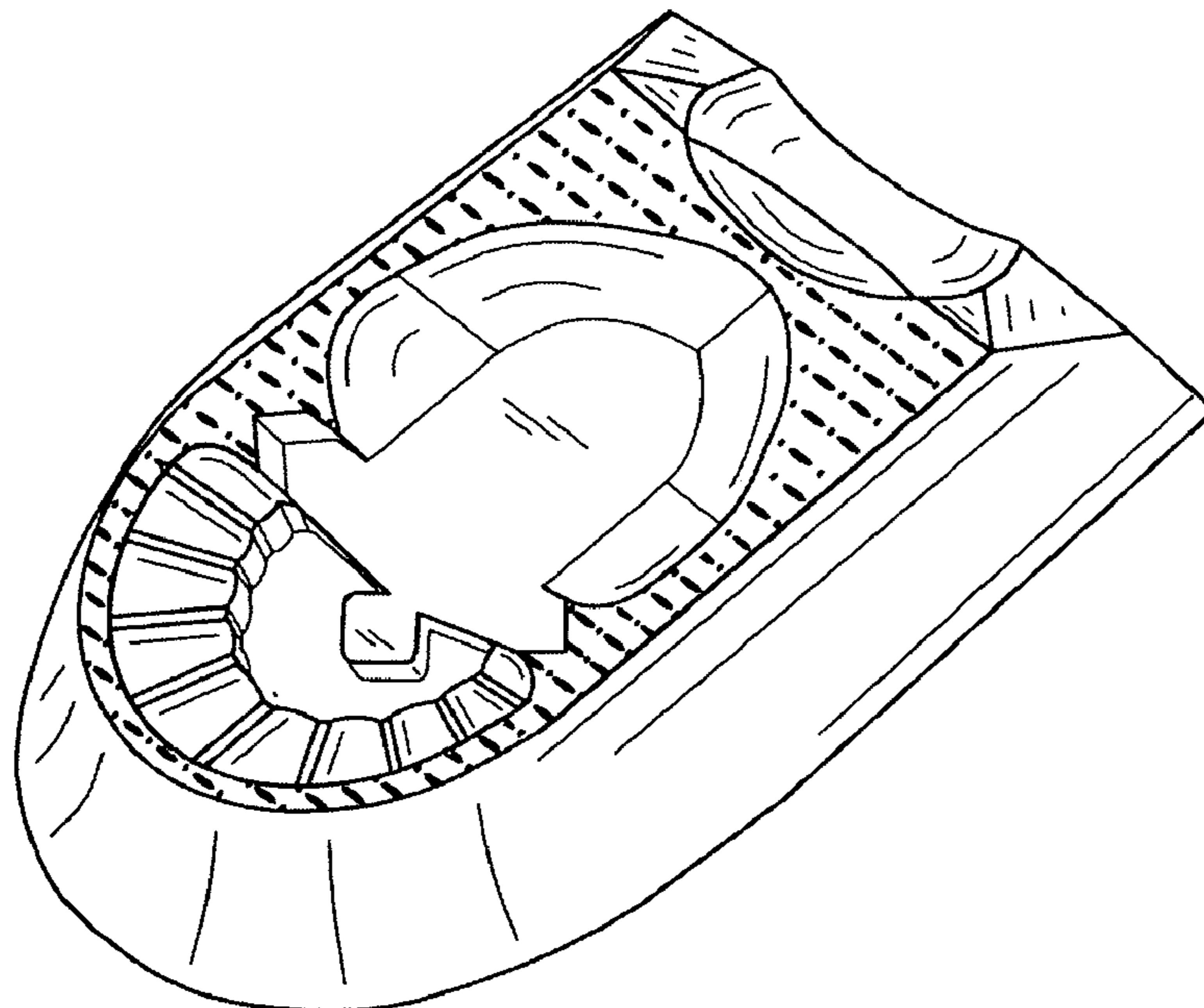


FIG. 8

