



US00D664219S

(12) **United States Design Patent**  
**Lowe**

(10) **Patent No.:** **US D664,219 S**  
(45) **Date of Patent:** **\*\* Jul. 24, 2012**

(54) **ROLLING TOY**

(75) Inventor: **Brendan Martin Lowe**, Burlington (CA)

(73) Assignee: **SASS Associates Inc.**, Burlington, Ontario (CA)

(\*\*) Term: **14 Years**

(21) Appl. No.: **29/383,516**

(22) Filed: **Jan. 19, 2011**

(51) **LOC (9) Cl.** ..... **21-01**

(52) **U.S. Cl.** ..... **D21/576; D21/585; D21/623**

(58) **Field of Classification Search** ..... **D6/596;**

**D11/158, 162; D30/160; D21/576, 578-585,**

**D21/606-608, 617, 621, 623, 634; 446/72,**

**446/97-98, 268-269, 369, 377**

See application file for complete search history.

(56) **References Cited**

**U.S. PATENT DOCUMENTS**

D50,316 S *	2/1917	Morse	.....	D21/617
D232,742 S *	9/1974	Hedman et al.	.....	D21/606
D241,044 S *	8/1976	Daenen	.....	D21/623
D248,115 S *	6/1978	Tapdrup	.....	D21/617
D248,176 S *	6/1978	Tapdrup	.....	D21/623
D494,642 S *	8/2004	Bresciani et al.	.....	D21/623
D495,764 S *	9/2004	Bresciani et al.	.....	D21/623
D504,708 S *	5/2005	Wang	.....	D21/634
D564,400 S *	3/2008	Chen	.....	D11/162

**OTHER PUBLICATIONS**

Printout of website page from amazon.com showing "Rebound" game from Tyco (publicly available circa Jan. 1994).

Picture of box cover of "Sorry Sliders" game from Parker Brothers (publicly available circa Jan. 2008).

\* cited by examiner

*Primary Examiner* — Sandra Morris

(74) *Attorney, Agent, or Firm* — Thomas & Karceski, PC

(57) **CLAIM**

The ornamental design for a rolling toy, as shown and described.

**DESCRIPTION**

FIG. 1 is a front view of a rolling toy in accordance with a first embodiment of my design, the rear view being identical thereto;

FIG. 2 is a right side view of the rolling toy of FIG. 1, the left side view being a mirror image thereof;

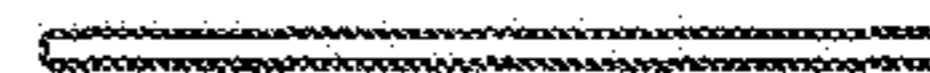
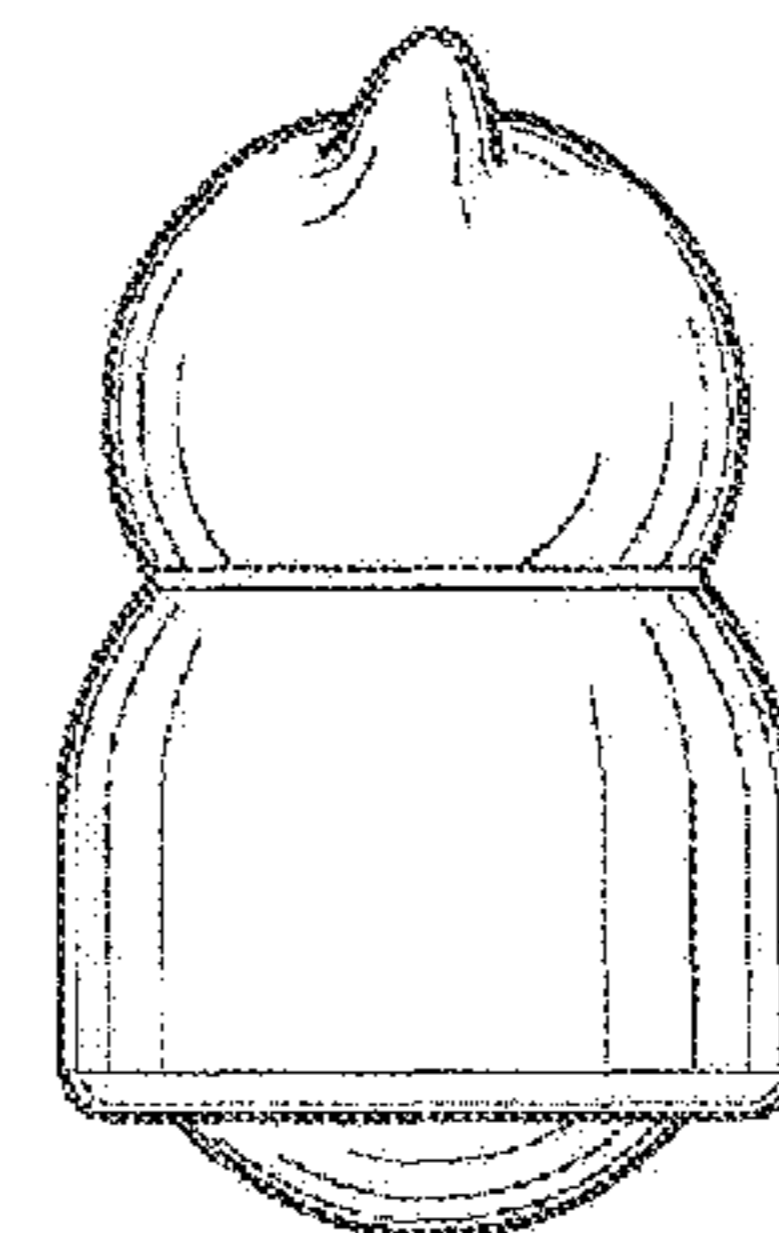
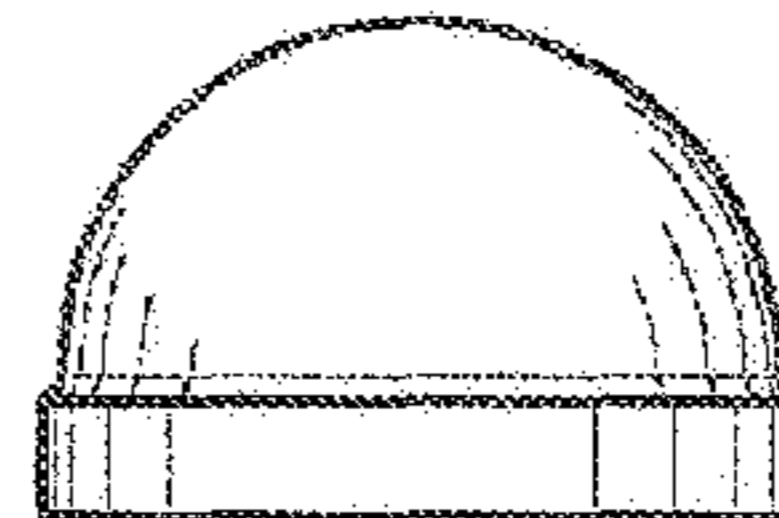
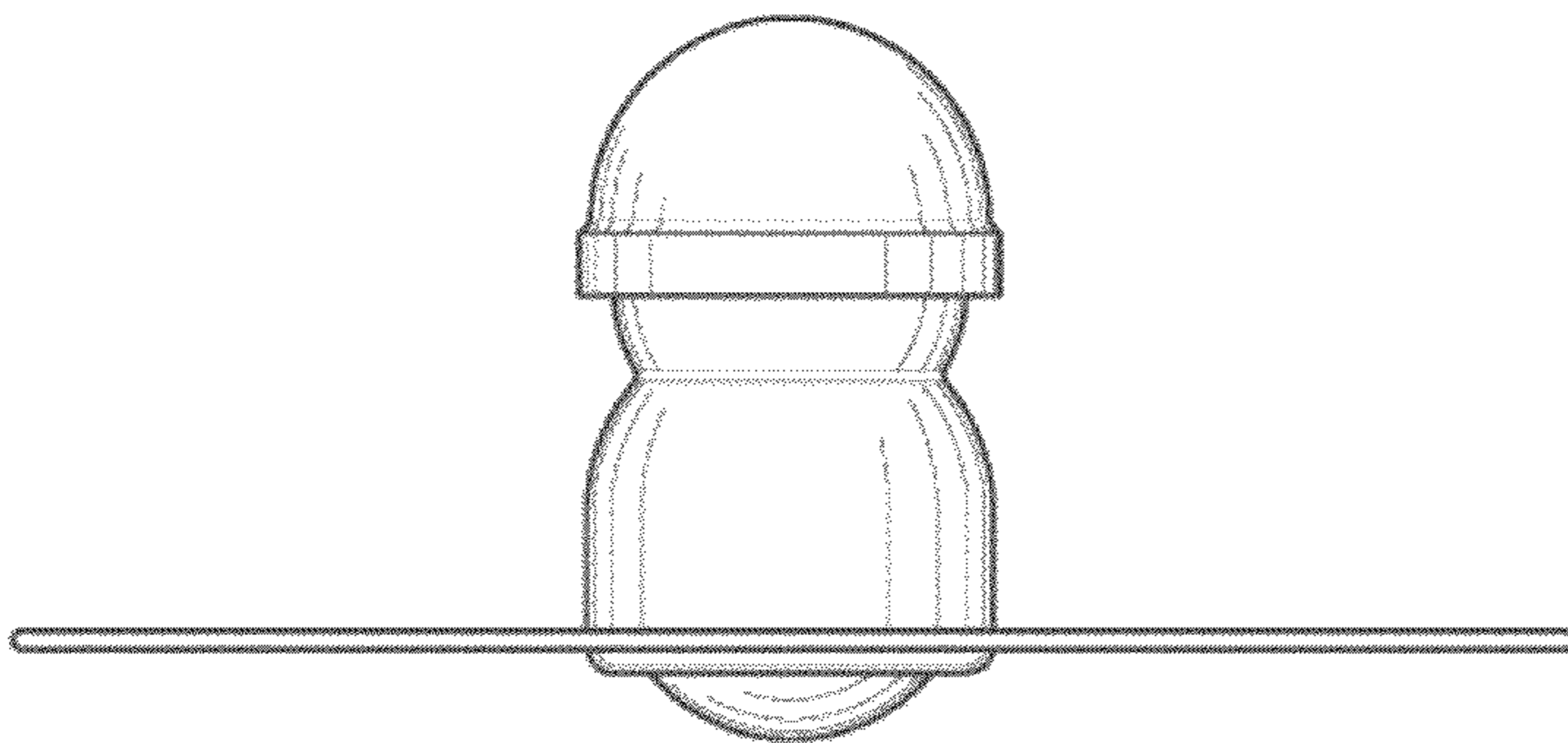
FIG. 3 is a top view of the rolling toy of FIG. 1;

FIG. 4 is a bottom view of the rolling toy of FIG. 1;

FIG. 5 is an exploded front view of the rolling toy of FIG. 1, showing the three components of the rolling toy; and,

FIG. 6 is an exploded, side view of the rolling toy of FIG. 1, showing the three components of the rolling toy as illustrated in FIG. 5.

**1 Claim, 3 Drawing Sheets**



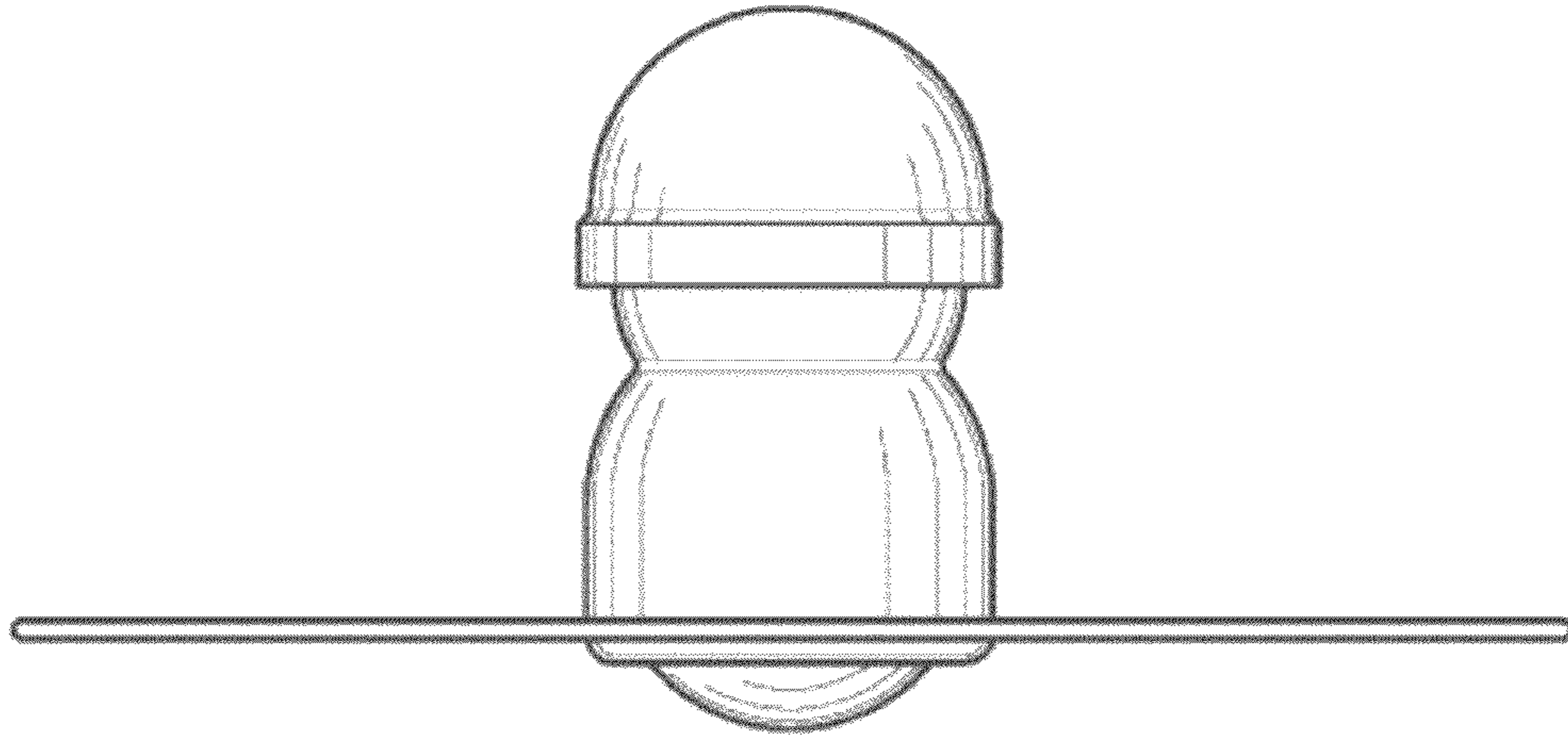


FIG. 1

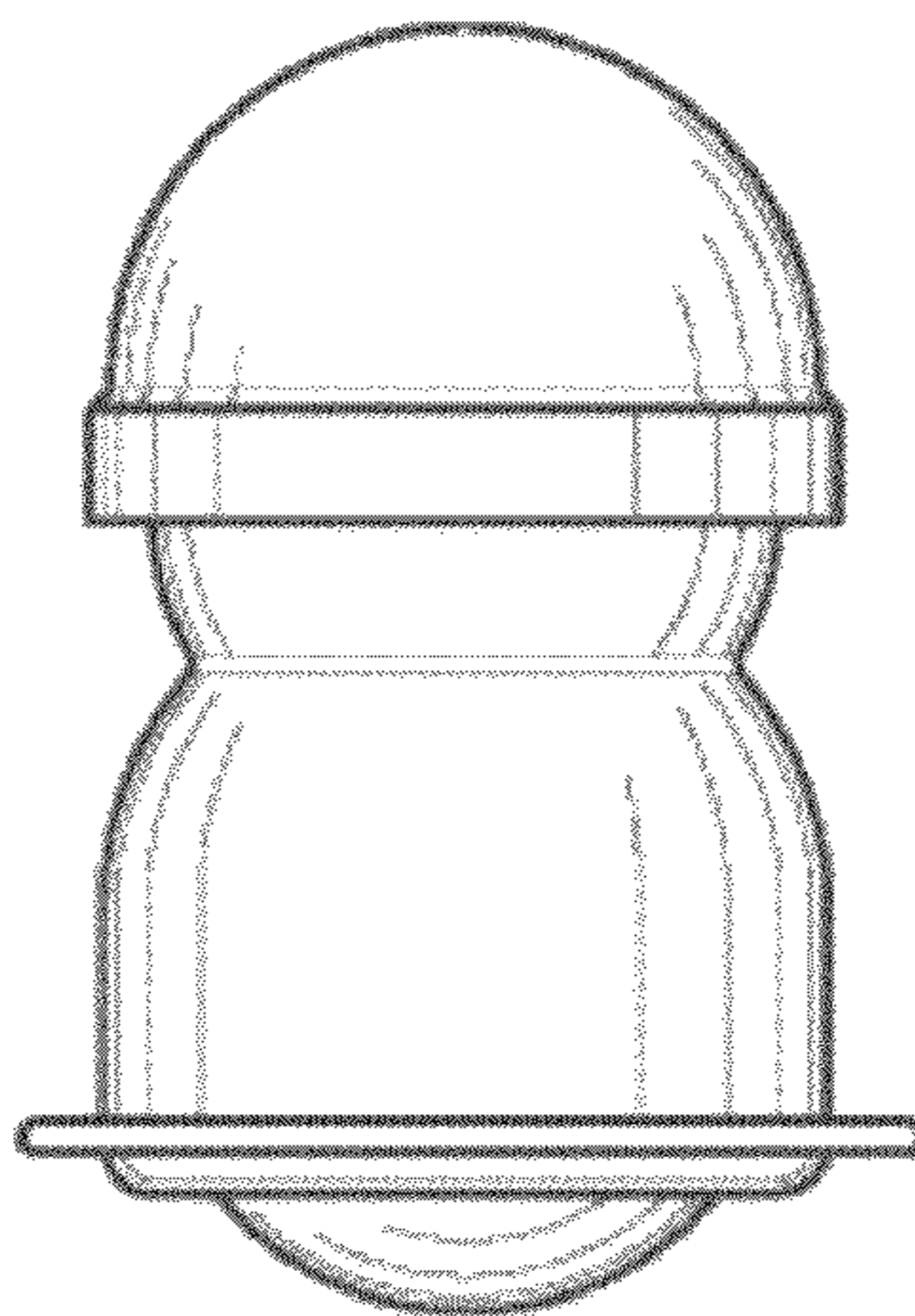
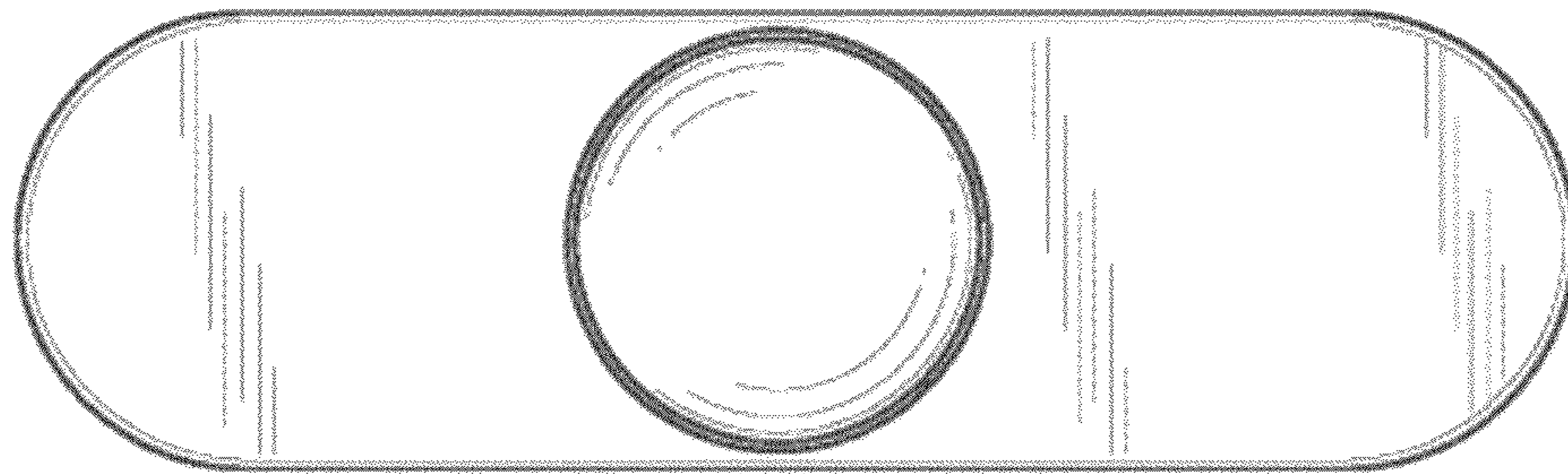
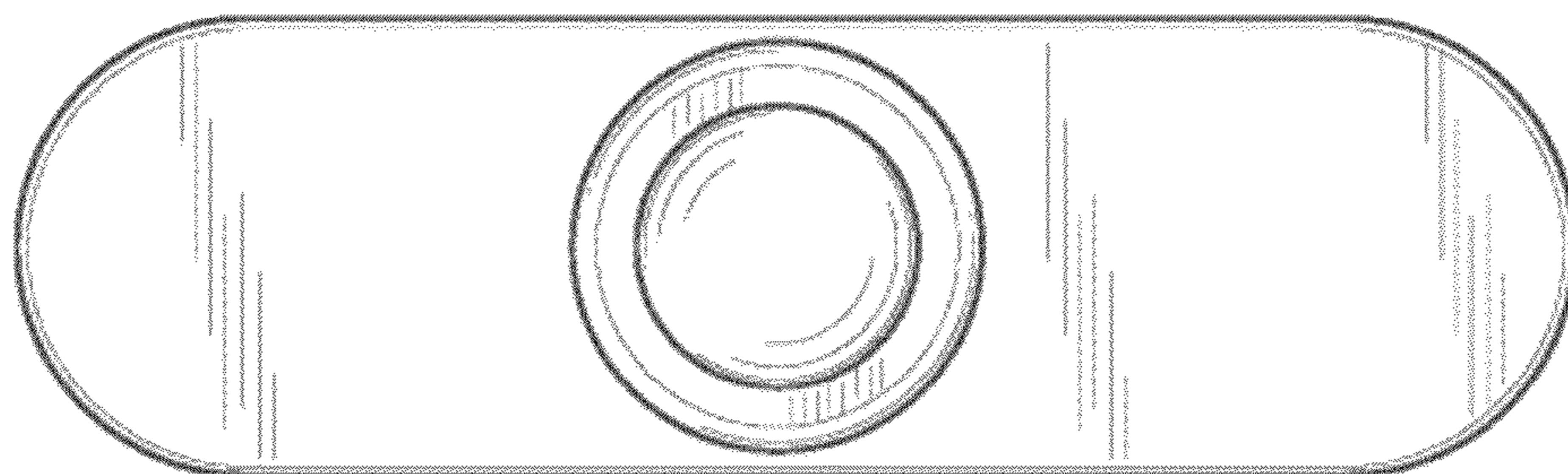


FIG. 2



**FIG. 3**



**FIG. 4**

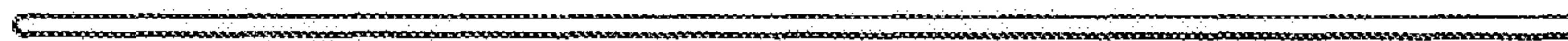
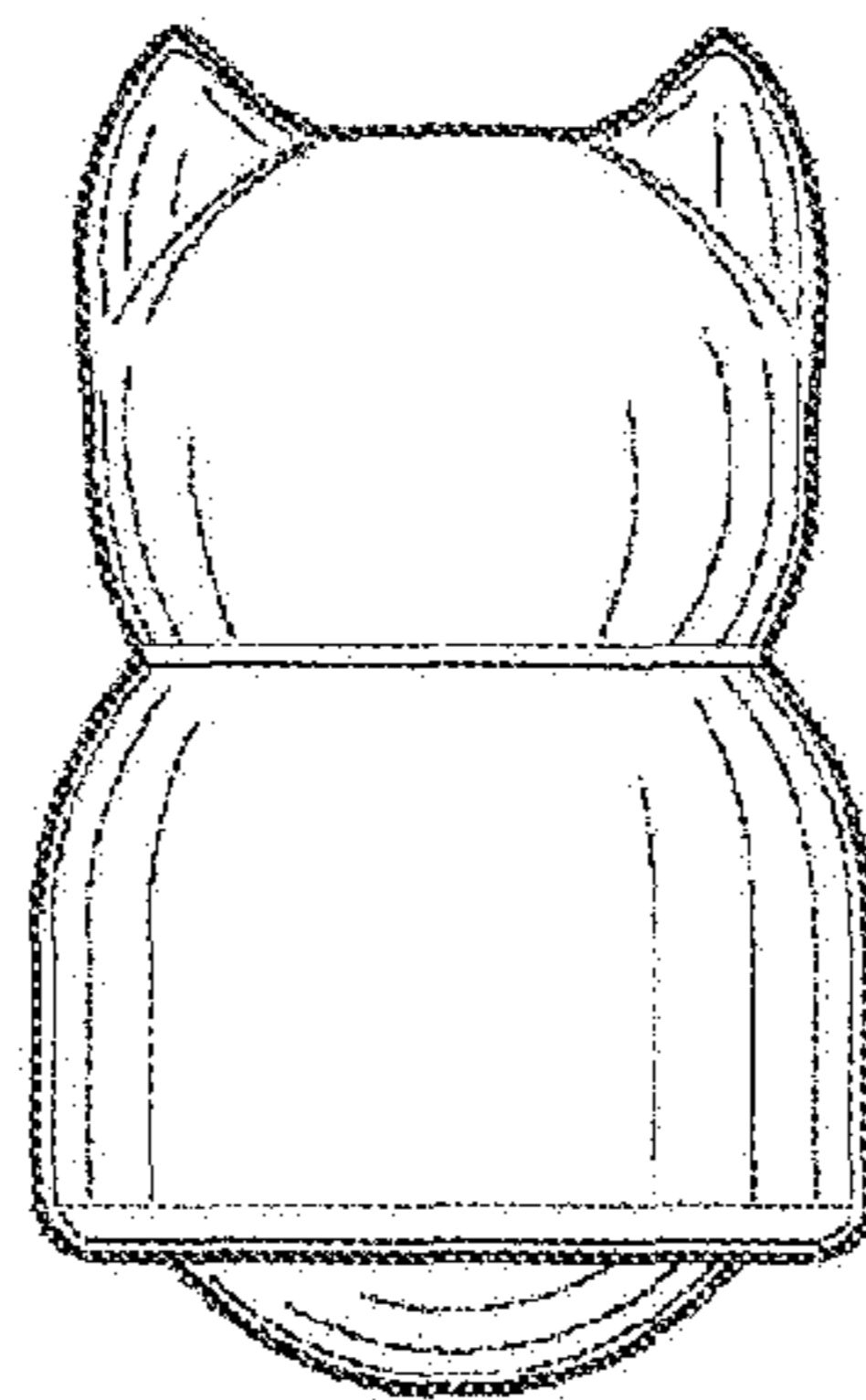
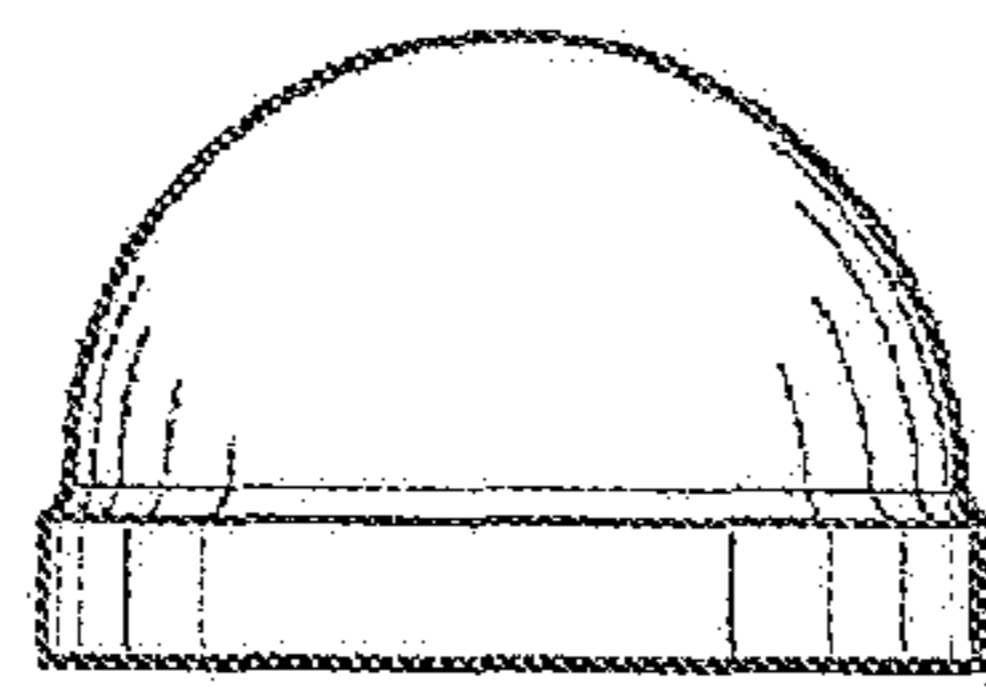


FIG. 5

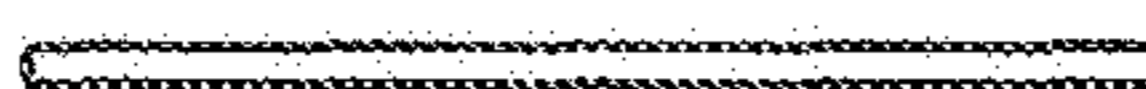
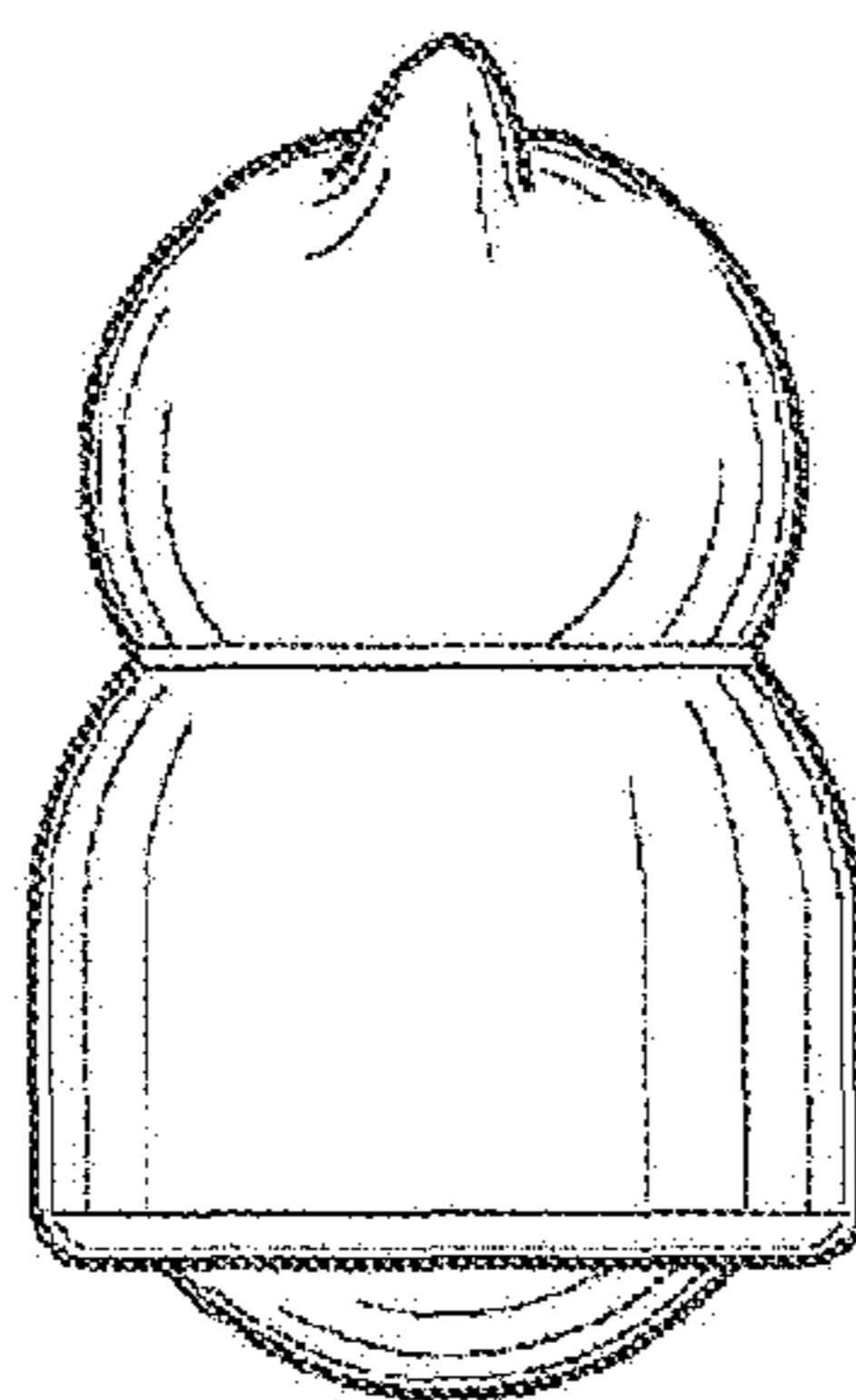
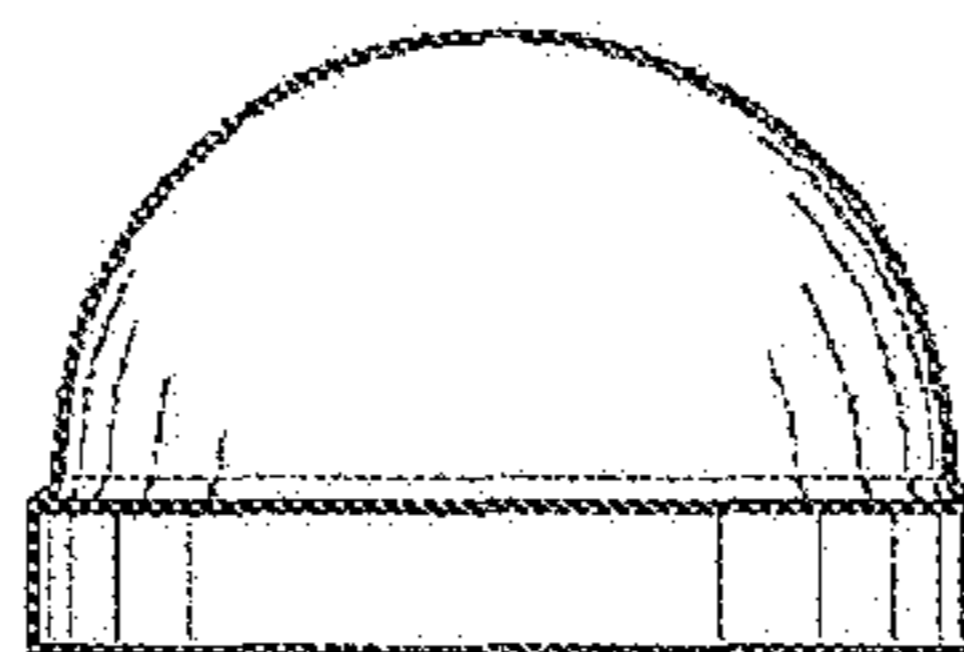


FIG. 6