

US00D664218S

(12) **United States Design Patent**
Mimlitch, III et al.

(10) **Patent No.:** **US D664,218 S**
(45) **Date of Patent:** **** Jul. 24, 2012**

(54) **TOY TRACK WITH PLATFORM**

(75) Inventors: **Robert H. Mimlitch, III**, Rowlett, TX (US); **David Anthony Norman**, Greenville, TX (US); **Douglas Michael Galletti**, Allen, TX (US); **Joel Reagan Carter**, Argyle, TX (US); **Paul David Copioli**, Greenville, TX (US)

(73) Assignee: **Innovation First, Inc.**, Greenville, TX (US)

(**) Term: **14 Years**

(21) Appl. No.: **29/409,371**

(22) Filed: **Dec. 22, 2011**

Related U.S. Application Data

(62) Division of application No. 29/375,631, filed on Sep. 24, 2010, now Pat. No. Des. 654,121.

(51) **LOC (9) Cl.** **21-01**

(52) **U.S. Cl.** **D21/565**

(58) **Field of Classification Search** D21/484, D21/490, 493, 564, 565, 802, 818, 821; 446/168-174, 84, 89, 108, 112, 114, 116, 446/124-128, 429, 444-447; 463/58-69; 238/10 R, 10 A-10 C, 10 E, 10 F; 104/60, 104/69

See application file for complete search history.

(56) **References Cited**

U.S. PATENT DOCUMENTS

4,045,908	A *	9/1977	Ensmann et al.	446/441
D306,466	S *	3/1990	Elliott et al.	D21/564
D344,554	S *	2/1994	Ruszkai	D21/565
D361,802	S *	8/1995	Shiraishi	D21/564
2008/0173726	A1 *	7/2008	Tezuka	238/10 E
2008/0265048	A1 *	10/2008	O'Connor	238/10 E

* cited by examiner

Primary Examiner — Cynthia M Chin

(74) *Attorney, Agent, or Firm* — Fish & Richardson P.C.

(57) **CLAIM**

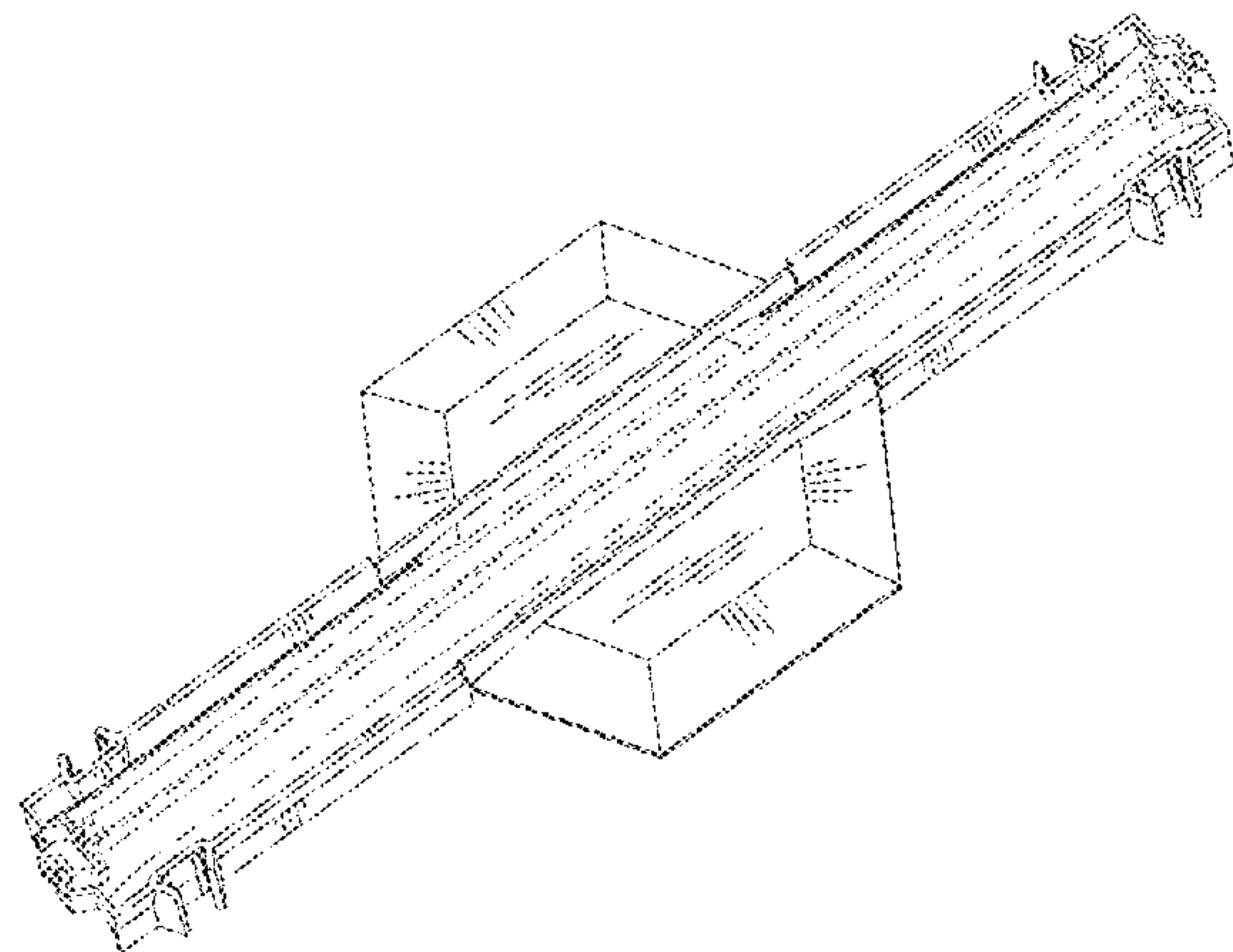
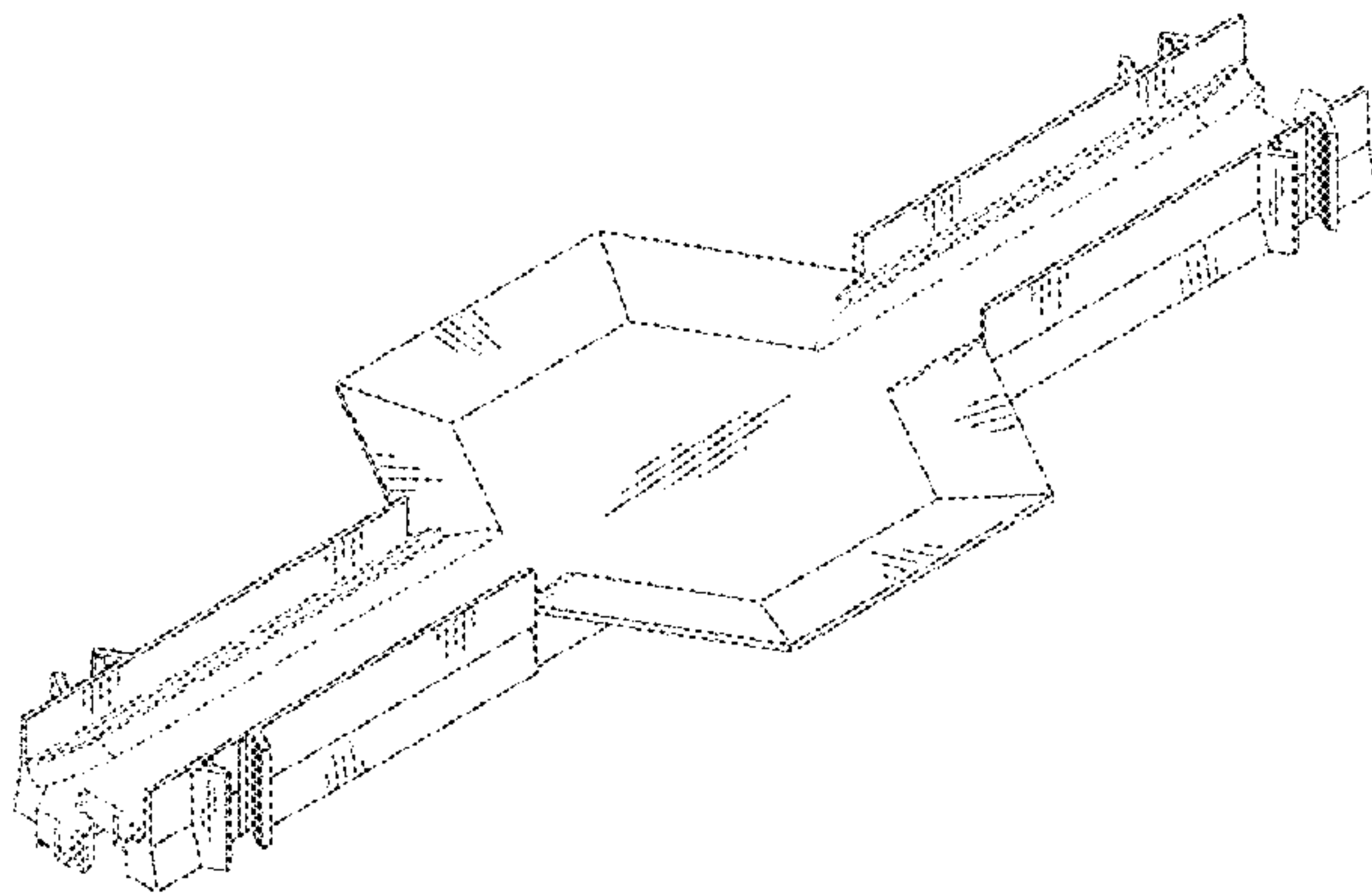
The ornamental design for a toy track with platform, as shown and described.

DESCRIPTION

FIG. 1 is a first perspective view of a toy track with platform showing the top, front, and right side views of our new design; FIG. 2 is a front side view thereof; FIG. 3 is a rear side view thereof; FIG. 4 is a left side view thereof; FIG. 5 is a right side view thereof; FIG. 6 is a top plan view thereof; FIG. 7 is a bottom plan view thereof; and, FIG. 8 is a second perspective view showing the bottom, left, and front side views thereof.

The broken lines are for environmental purposes only and form no part of the claimed design.

1 Claim, 6 Drawing Sheets



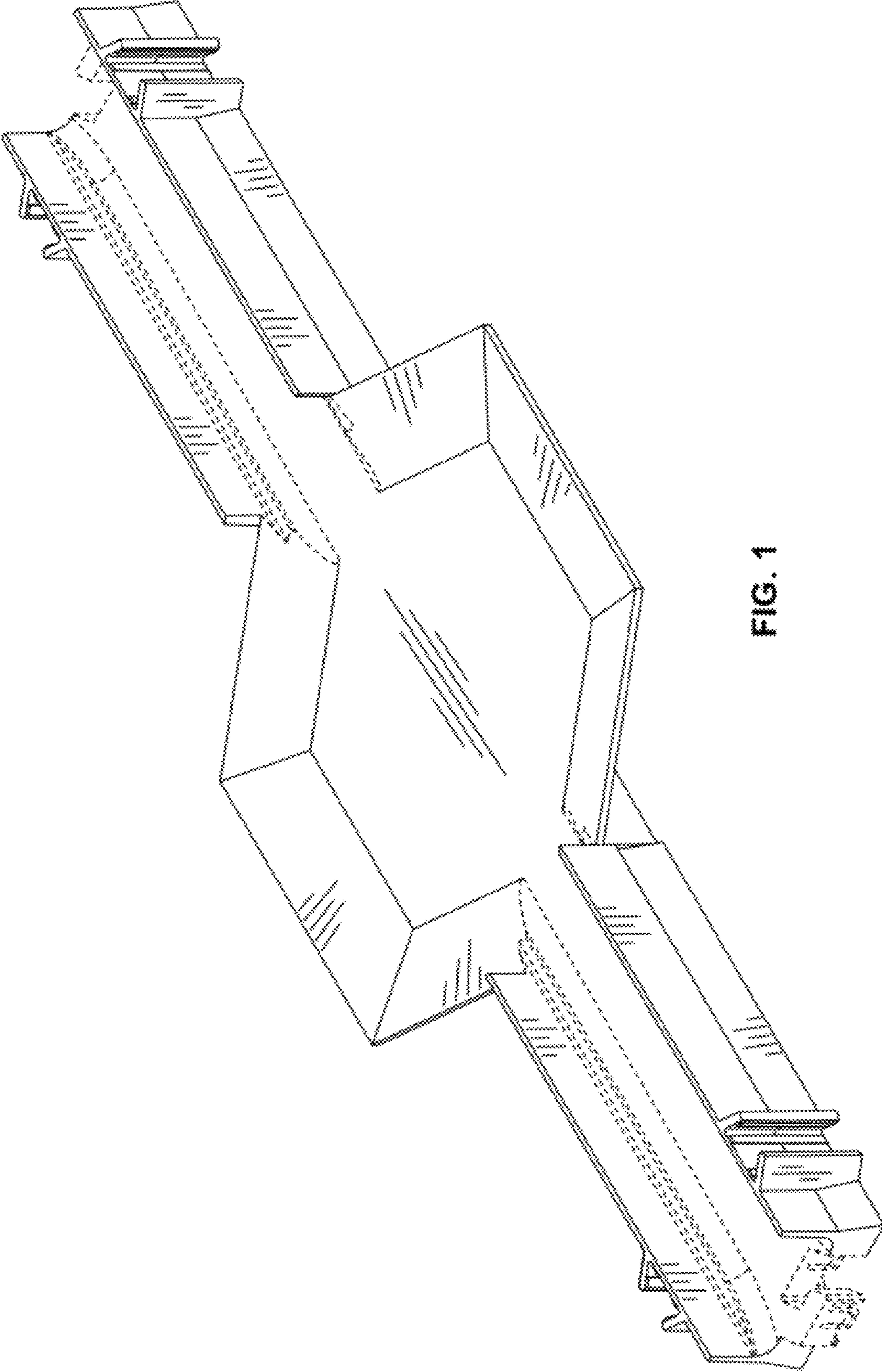


FIG. 1



FIG. 2



FIG. 3

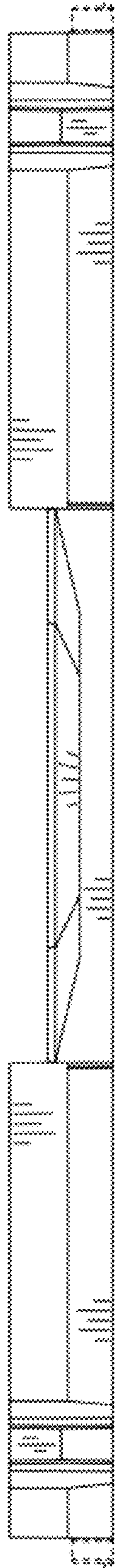


FIG. 4

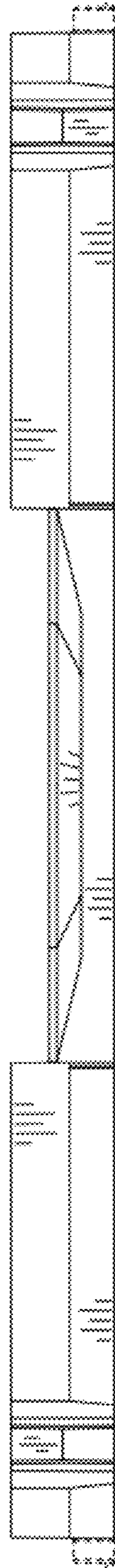


FIG. 5

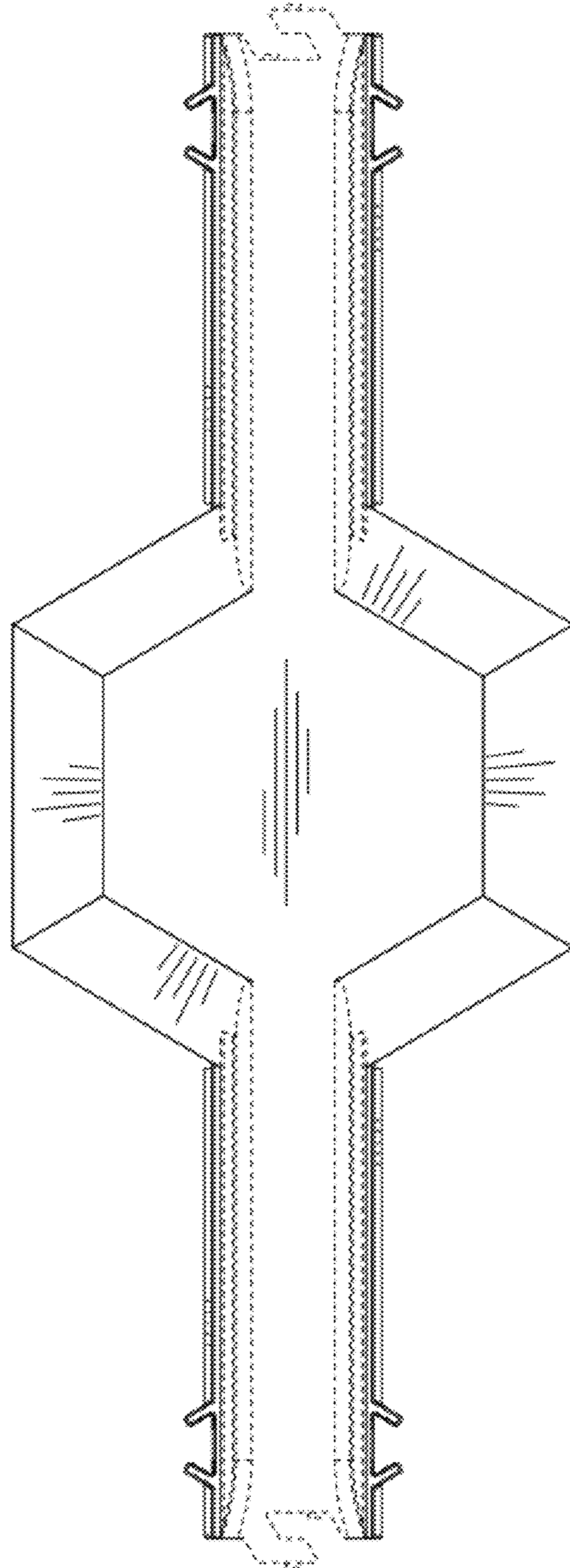


FIG. 6

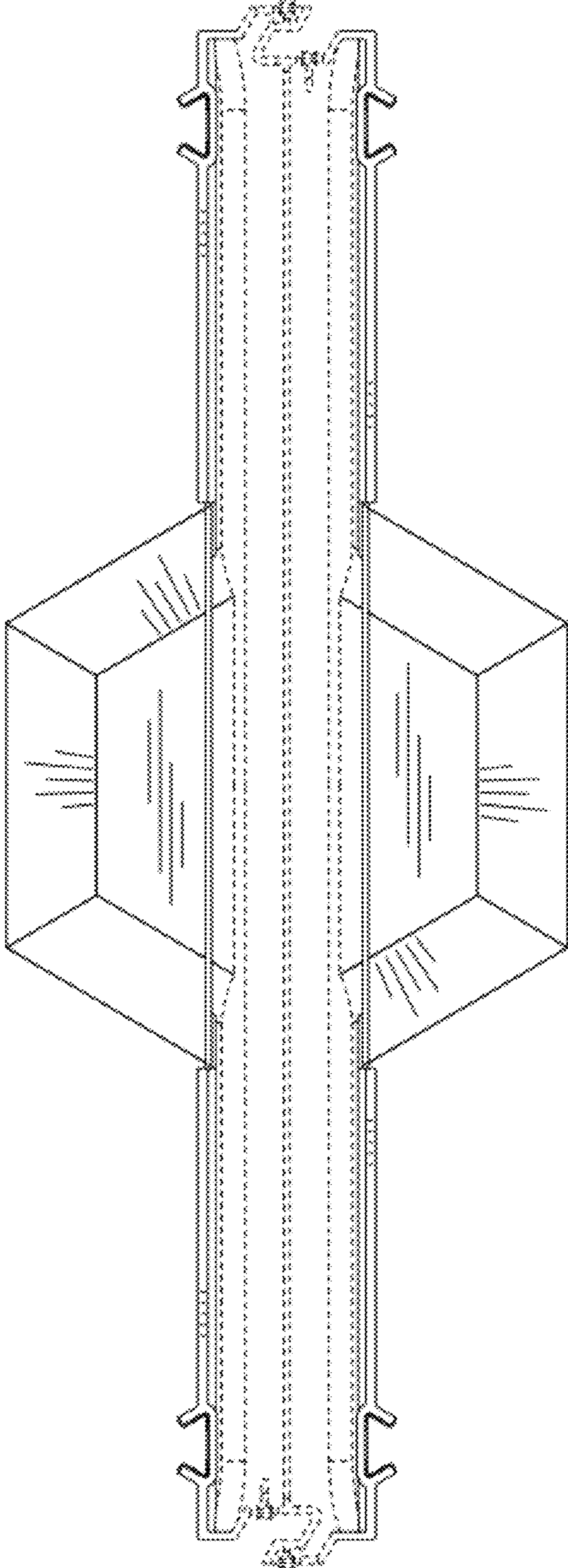


FIG. 7

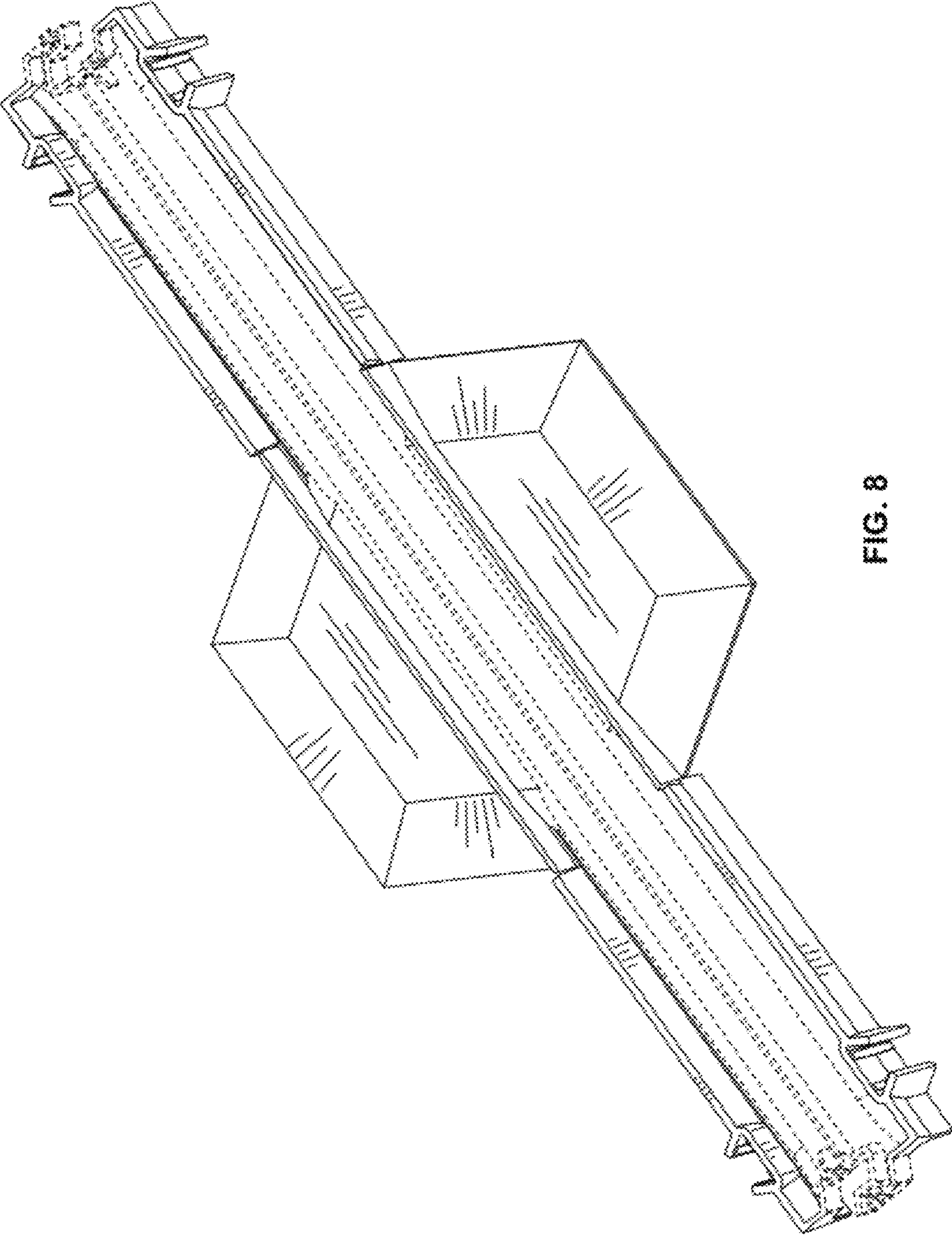


FIG. 8