



US00D664216S

(12) **United States Design Patent**
Mimlitch, III et al.

(10) **Patent No.:** **US D664,216 S**
(45) **Date of Patent:** **** Jul. 24, 2012**

(54) **PEG COMPONENT PART OF A PLAYSET**

(75) Inventors: **Robert H. Mimlitch, III**, Rowlett, TX (US); **David A. Norman**, Greenville, TX (US); **Douglas Galletti**, Allen, TX (US); **Joel Carter**, Argyle, TX (US); **Gregory Lavender**, Rockwall, TX (US); **Gregory Needel**, Rockwall, TX (US); **Christopher Robert Troyak**, Plano, TX (US); **Jeffrey Russell Waegelin**, Rockwall, TX (US); **Brian Richard Delaney**, Rockwall, TX (US)

(73) Assignee: **Innovation First International, Inc.**, Greenville, TX (US)

(**) Term: **14 Years**

(21) Appl. No.: **29/398,593**

(22) Filed: **Aug. 2, 2011**

(51) **LOC (9) Cl.** **21-01**

(52) **U.S. Cl.** **D21/506; D21/565; D8/385**

(58) **Field of Classification Search** D21/480, D21/484, 486, 490, 493, 506, 509, 564, 565; 446/168-174, 84, 89, 108, 112, 114, 116, 446/124-128, 429, 444-447; 463/58-69; 238/10 R, 10 A-10 C, 10 E, 10 F; 411/80.1, 411/80.2, 510, 531; D8/382, 385, 386, 388

See application file for complete search history.

(56) **References Cited**

U.S. PATENT DOCUMENTS

4,045,908	A	*	9/1977	Ensmann et al.	446/457
D324,168	S	*	2/1992	Fujioka	D8/385
D536,956	S	*	2/2007	Huang	D8/385
D552,691	S	*	10/2007	Tak	D21/480
D590,242	S	*	4/2009	Carter	D8/385
D592,255	S	*	5/2009	Tak	D21/480
D648,210	S	*	11/2011	Reynoso	D8/382

* cited by examiner

Primary Examiner — Cynthia M Chin

(74) *Attorney, Agent, or Firm* — Adam K. Sacharoff

(57) **CLAIM**

The ornamental design for a peg component part of a playset, as shown and described.

DESCRIPTION

FIG. 1 is a top perspective view showing a peg component part of a playset;
FIG. 2 is a bottom perspective view of FIG. 1;
FIG. 3 is another top perspective view of FIG. 1;
FIG. 4 is right side view of FIG. 1, the left side view being a mirror image thereof;
FIG. 5 is a front side view of FIG. 1, the back side view being a mirror image thereof;
FIG. 6 is a bottom view of FIGS. 1; and,
FIG. 7 is a top view of FIG. 1.

1 Claim, 7 Drawing Sheets

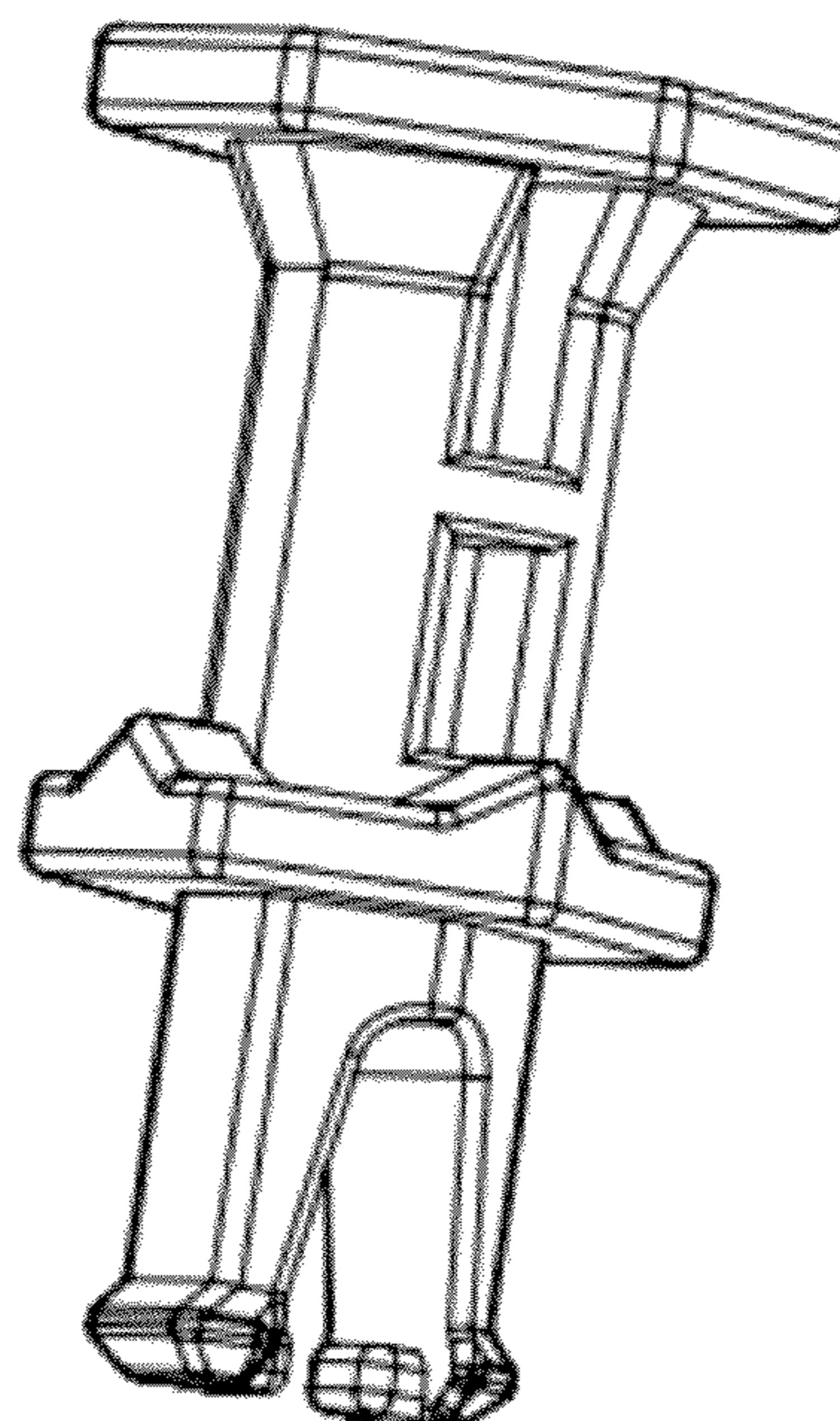
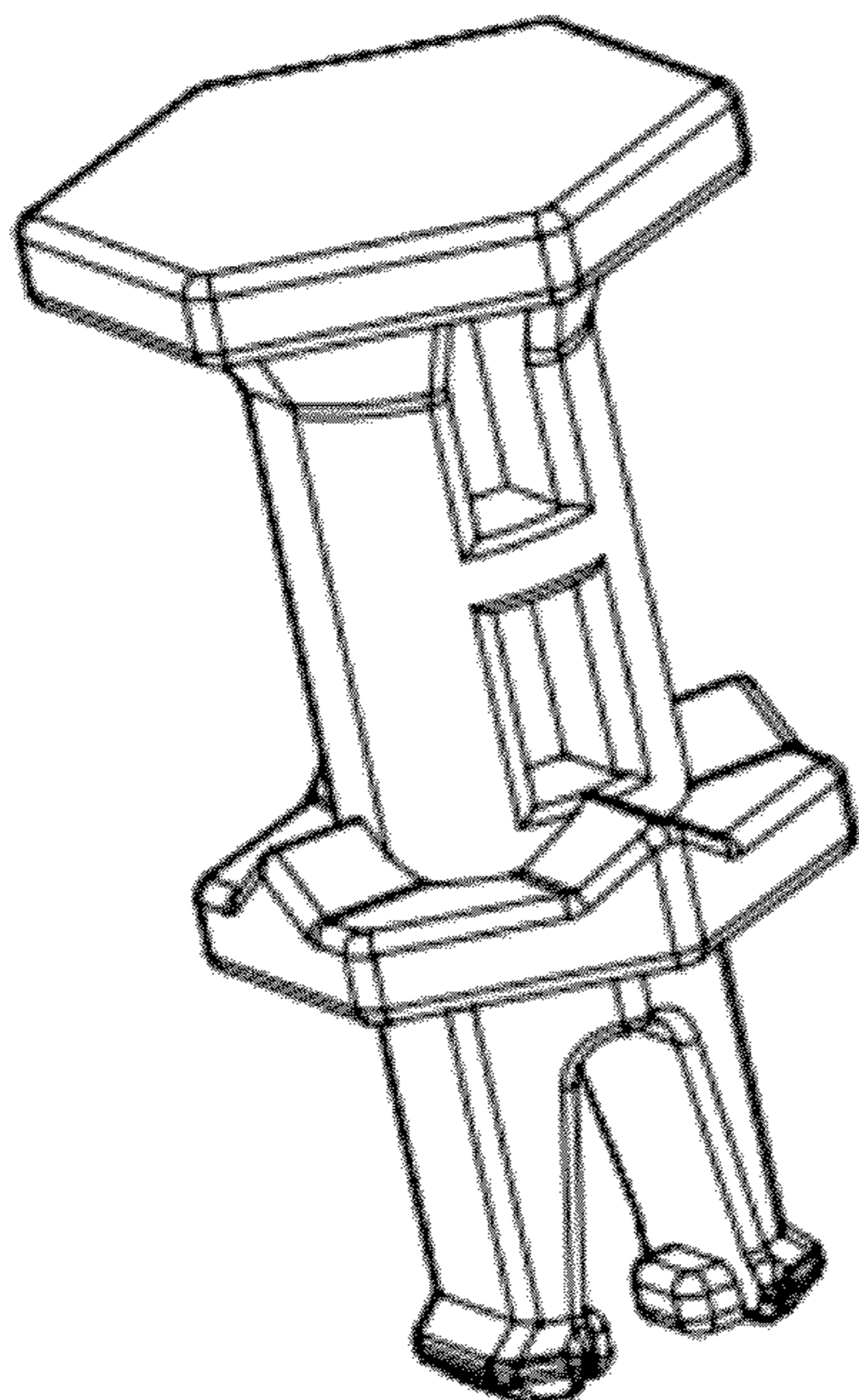


FIGURE 1

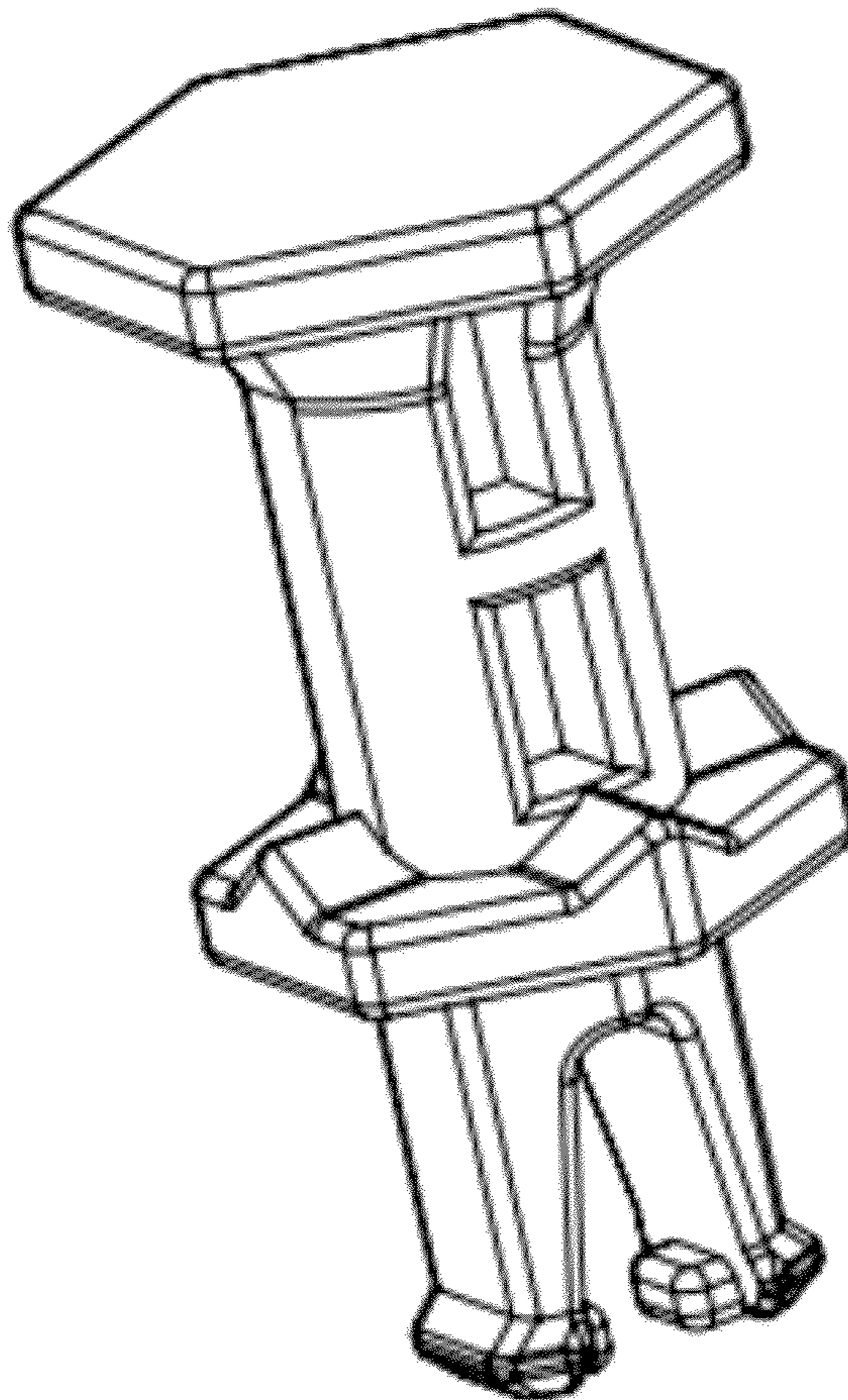


FIGURE 2

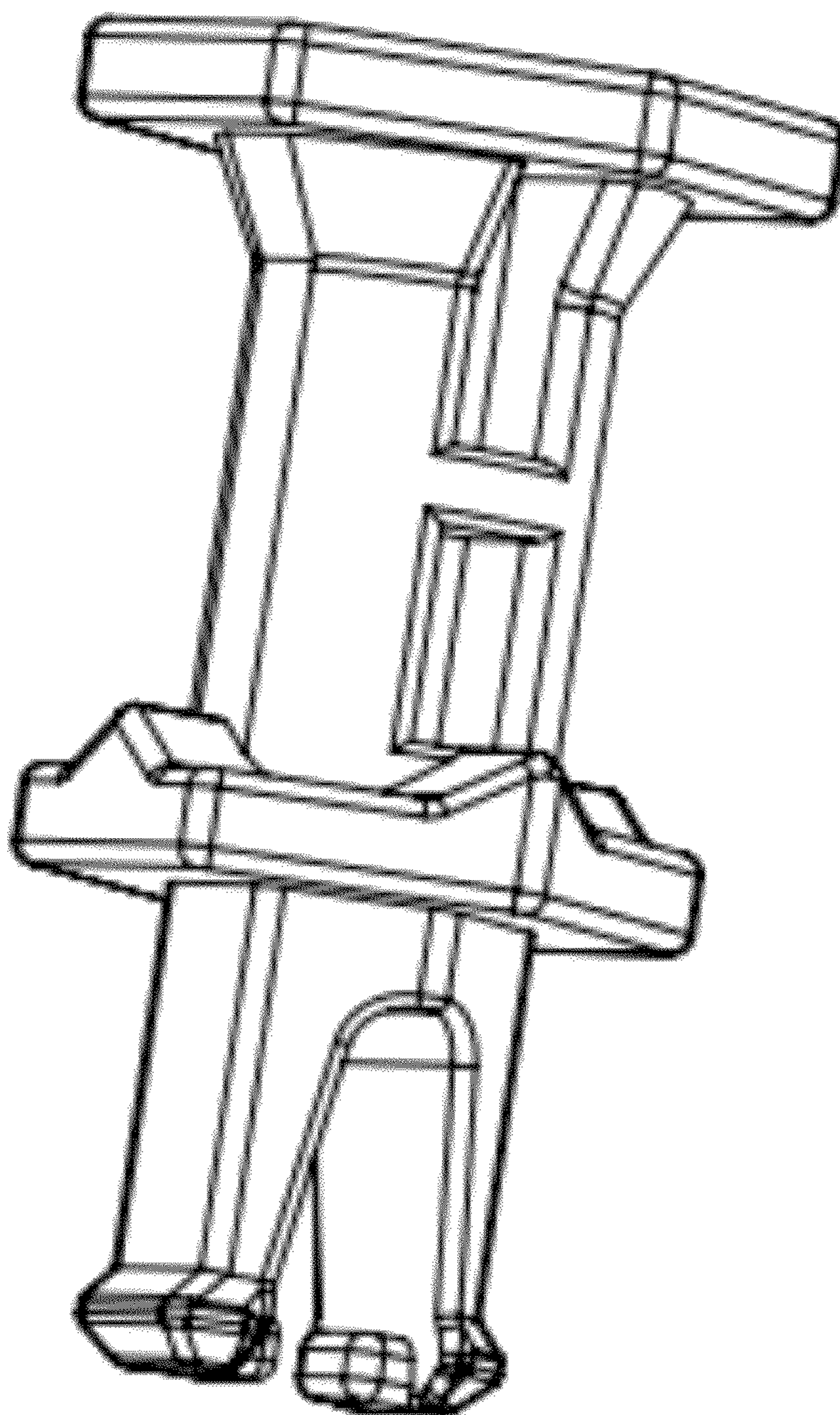


FIGURE 3

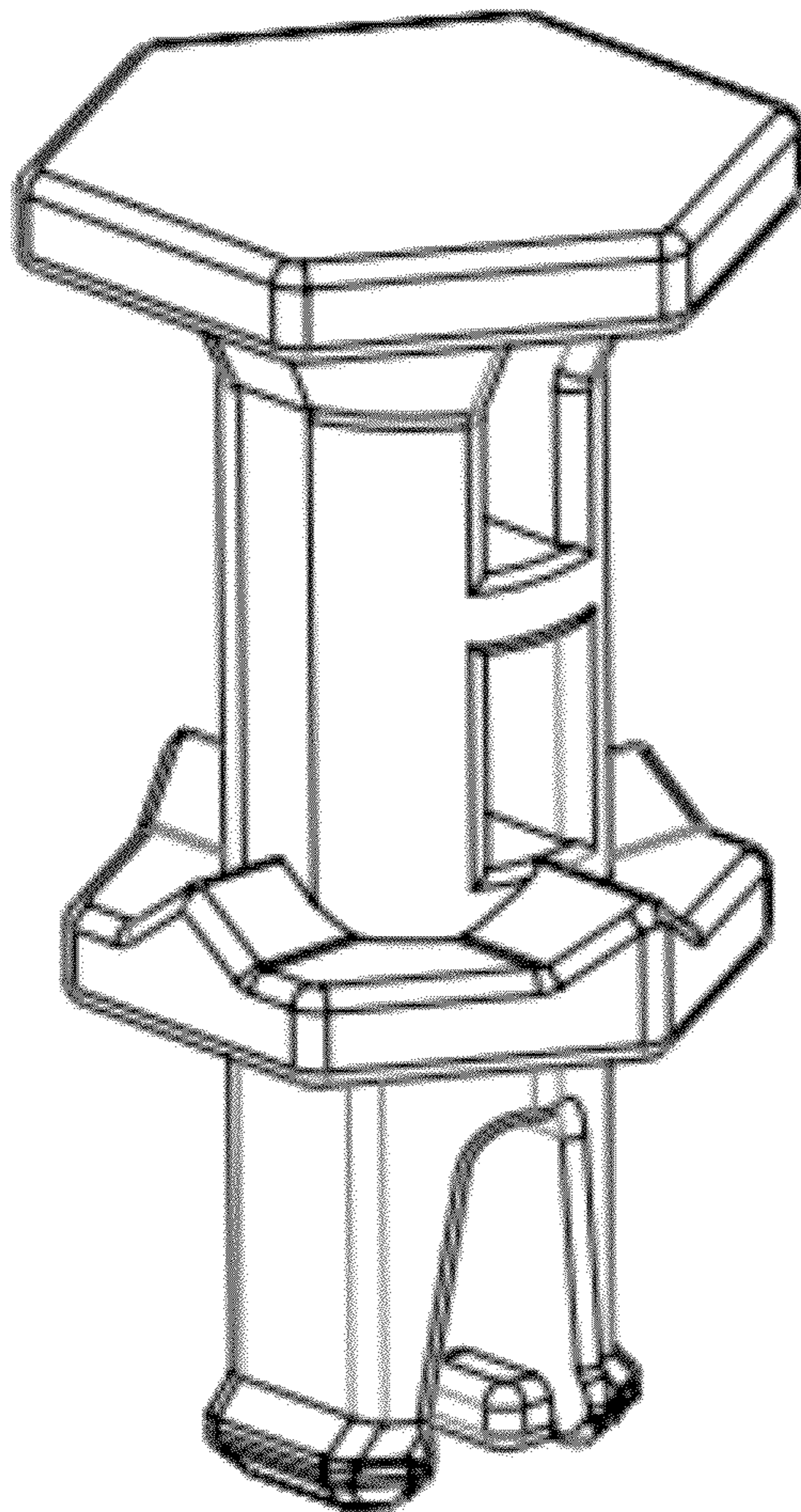


FIGURE 4

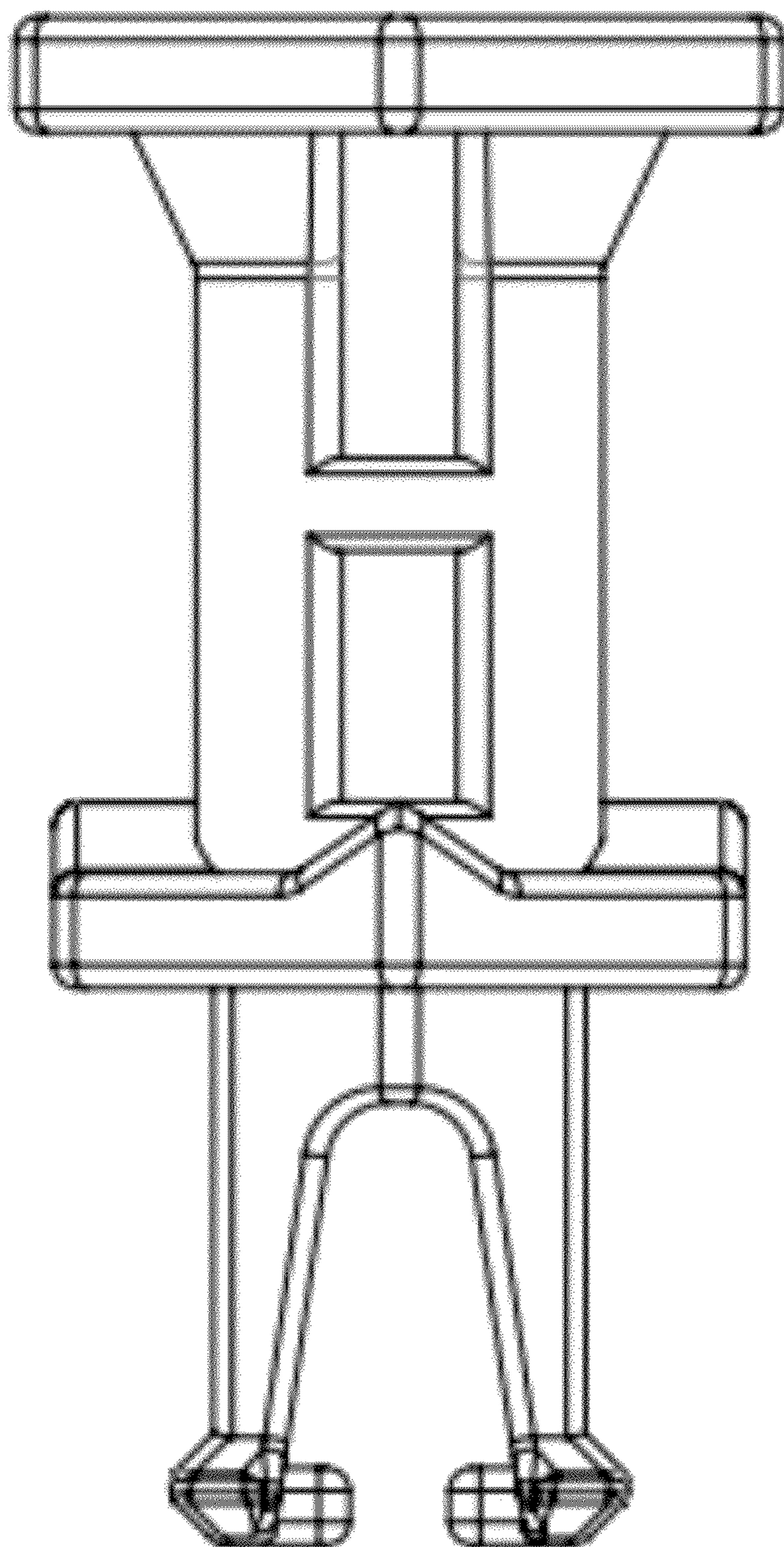


FIGURE 5

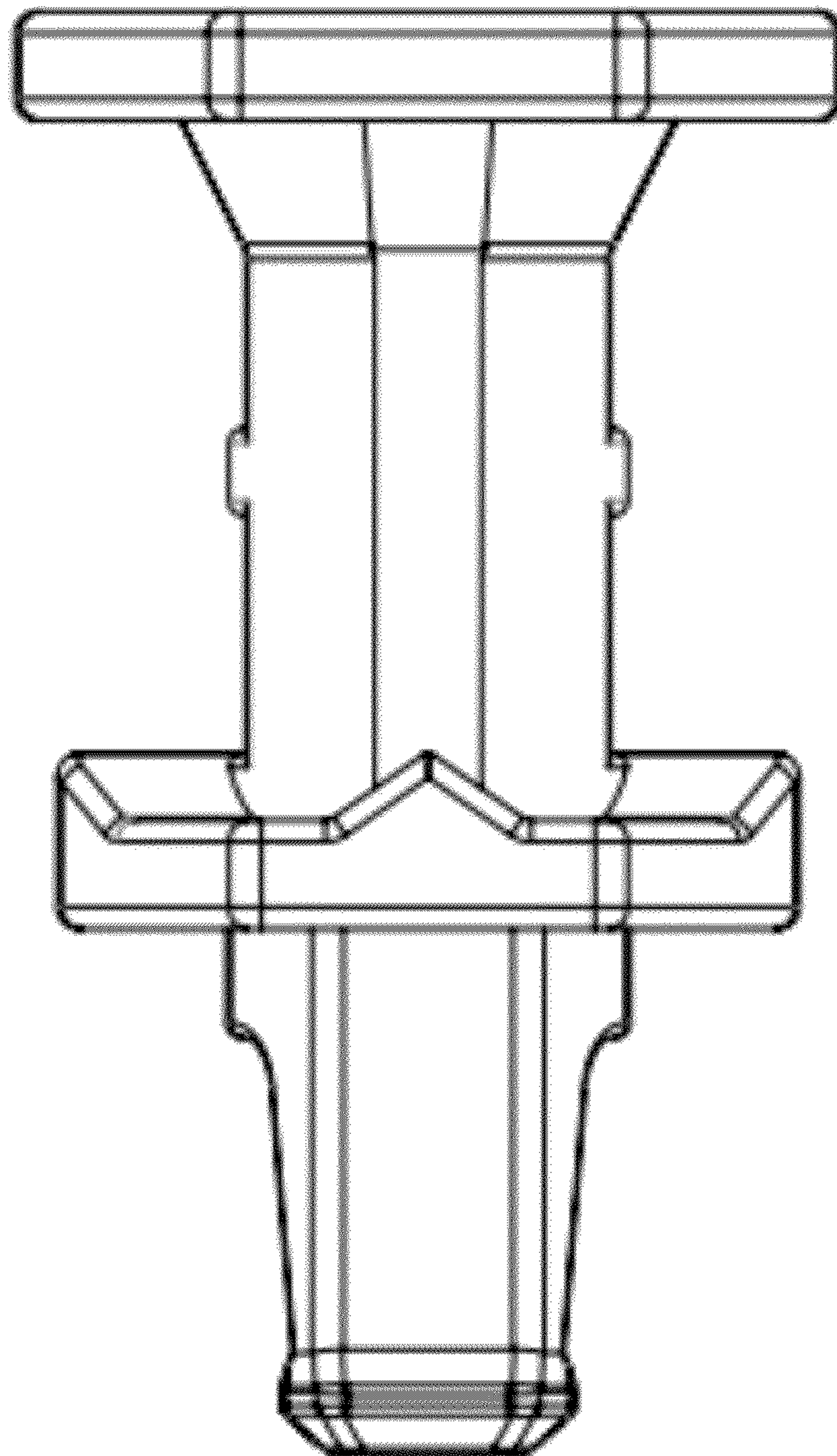


FIGURE 6

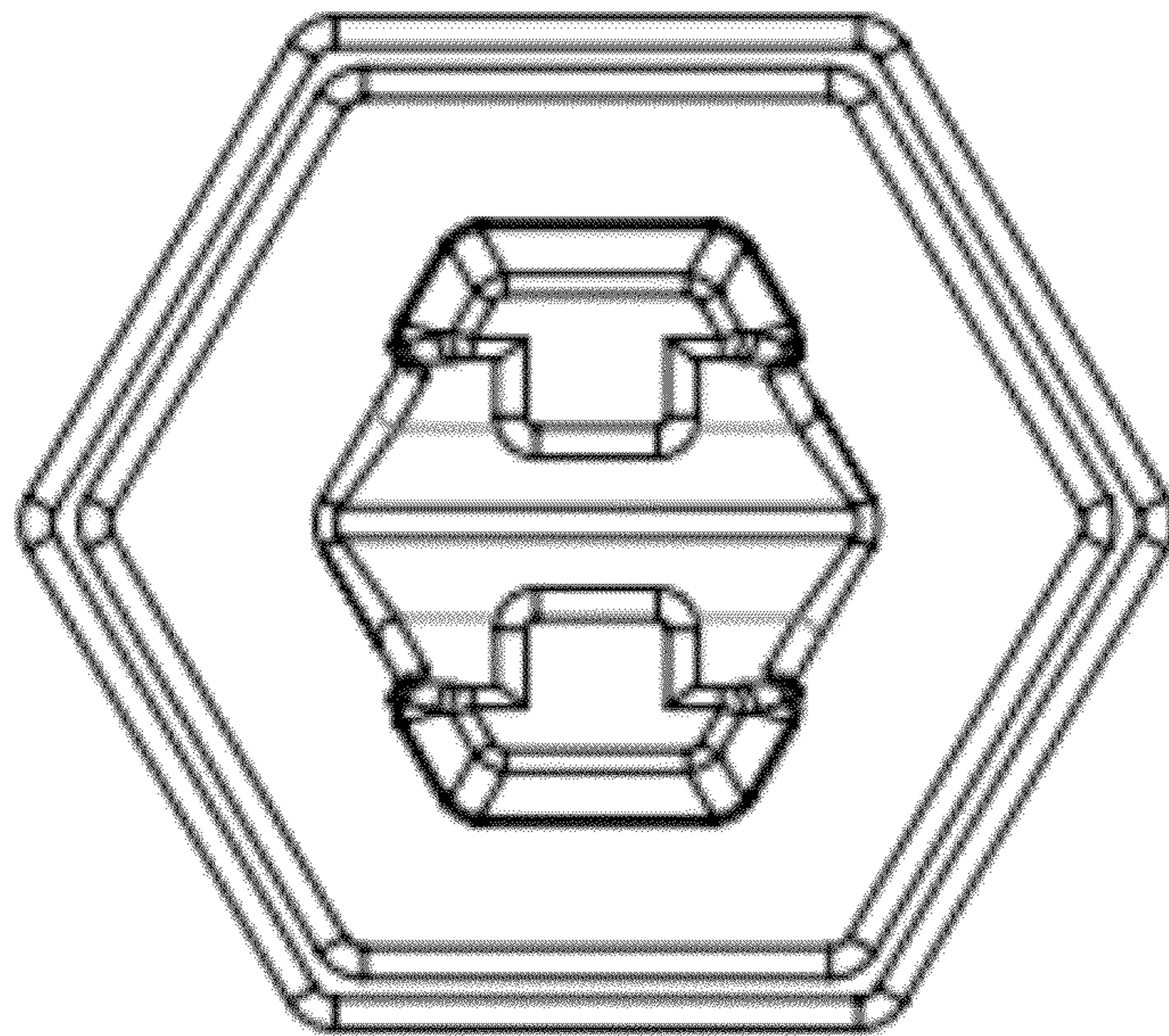


FIGURE 7

