

US00D664213S

(12) **United States Design Patent**
Sogabe

(10) **Patent No.:** **US D664,213 S**

(45) **Date of Patent:** **** Jul. 24, 2012**

(54) **PORTABLE INFORMATION TERMINAL**

(75) **Inventor:** **Takashi Sogabe**, Tokyo (JP)

(73) **Assignee:** **Sony Computer Entertainment Inc.**,
Tokyo (JP)

(**) **Term:** **14 Years**

(21) **Appl. No.:** **29/371,708**

(22) **Filed:** **Jul. 22, 2011**

(30) **Foreign Application Priority Data**

Jan. 26, 2011 (JP) D2011-001608

(51) **LOC (9) Cl.** **21-01**

(52) **U.S. Cl.** **D21/329; D14/356**

(58) **Field of Classification Search** D21/324-333;
D14/341-346, 356, 432, 496, 207.3, 203.7,
D14/507, 399-401; 273/148 B; 463/1, 29-47;
345/156-161, 168, 169, 172; 341/22, 23
See application file for complete search history.

(56) **References Cited**

U.S. PATENT DOCUMENTS

4,423,792 A * 1/1984 Cowan 177/25.19
4,611,406 A * 9/1986 Engstrom et al. 33/443

4,969,647 A * 11/1990 Mical et al. 463/31
5,207,426 A * 5/1993 Inoue et al. 463/36
D528,543 S * 9/2006 Ogasawara D14/356
D529,493 S * 10/2006 Ogasawara D14/356
D558,755 S * 1/2008 Tanaka D14/341
D558,759 S * 1/2008 Tanaka D14/341
D584,739 S * 1/2009 Ahlgren D14/496
D620,055 S * 7/2010 Yano D21/329
D620,056 S * 7/2010 Yano D21/329
D622,245 S * 8/2010 Okada et al. D14/138 G

* cited by examiner

Primary Examiner — Prabhakar Deshmukh

(74) *Attorney, Agent, or Firm* — Rader, Fishman & Grauer
PLLC

(57) **CLAIM**

The ornamental design for a portable information terminal, as
shown and described.

DESCRIPTION

FIG. 1 is a rear, top, right perspective view of a portable
information terminal showing my new design;
FIG. 2 is a rear, bottom, left perspective view thereof; and,
FIG. 3 is a rear elevational view thereof.
Portions in broken lines are for illustrative purposes only and
form no part of the claimed design. Dot-dash broken lines
define the boundaries of, but not included in, the claimed
design.

1 Claim, 3 Drawing Sheets

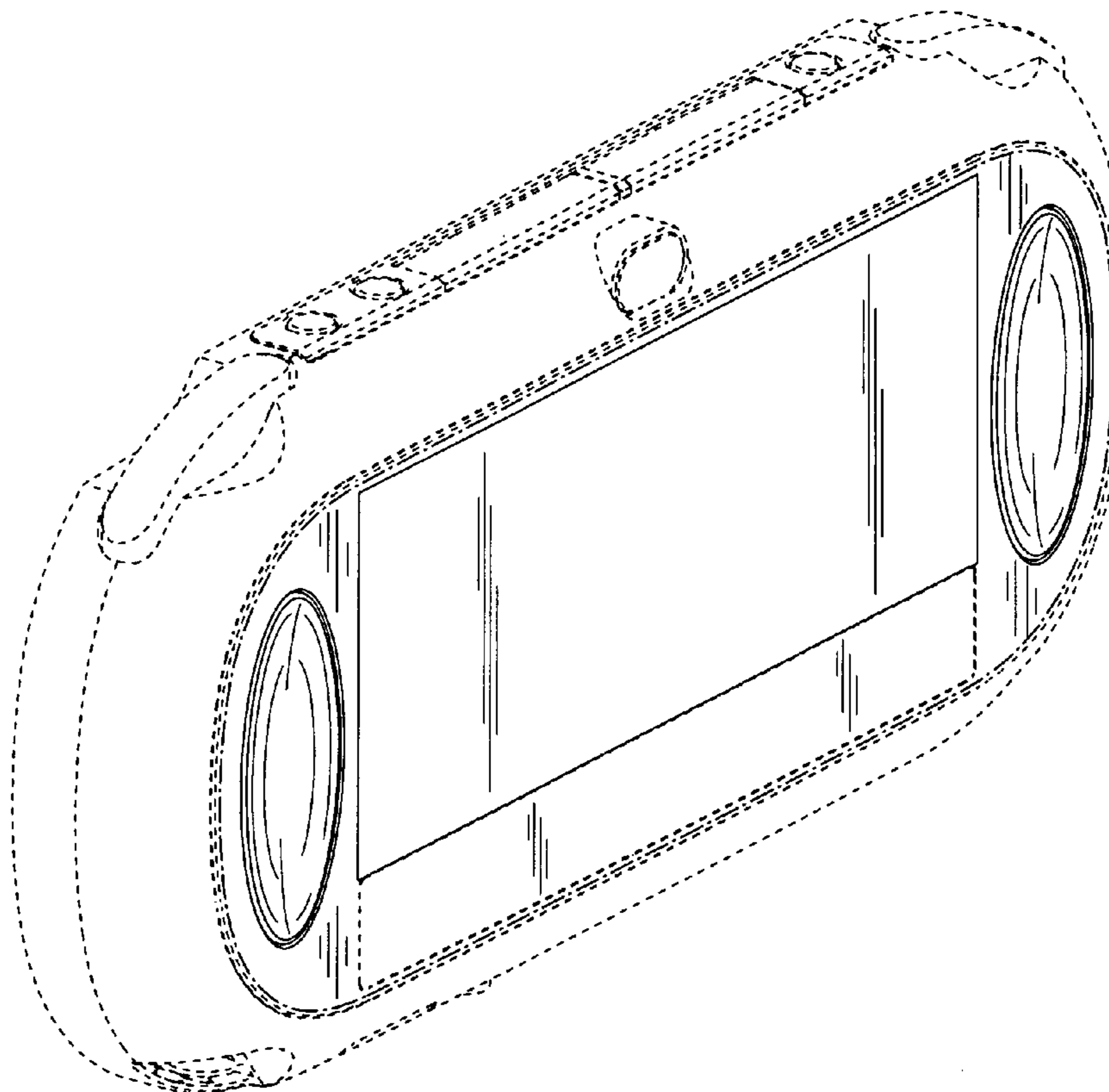
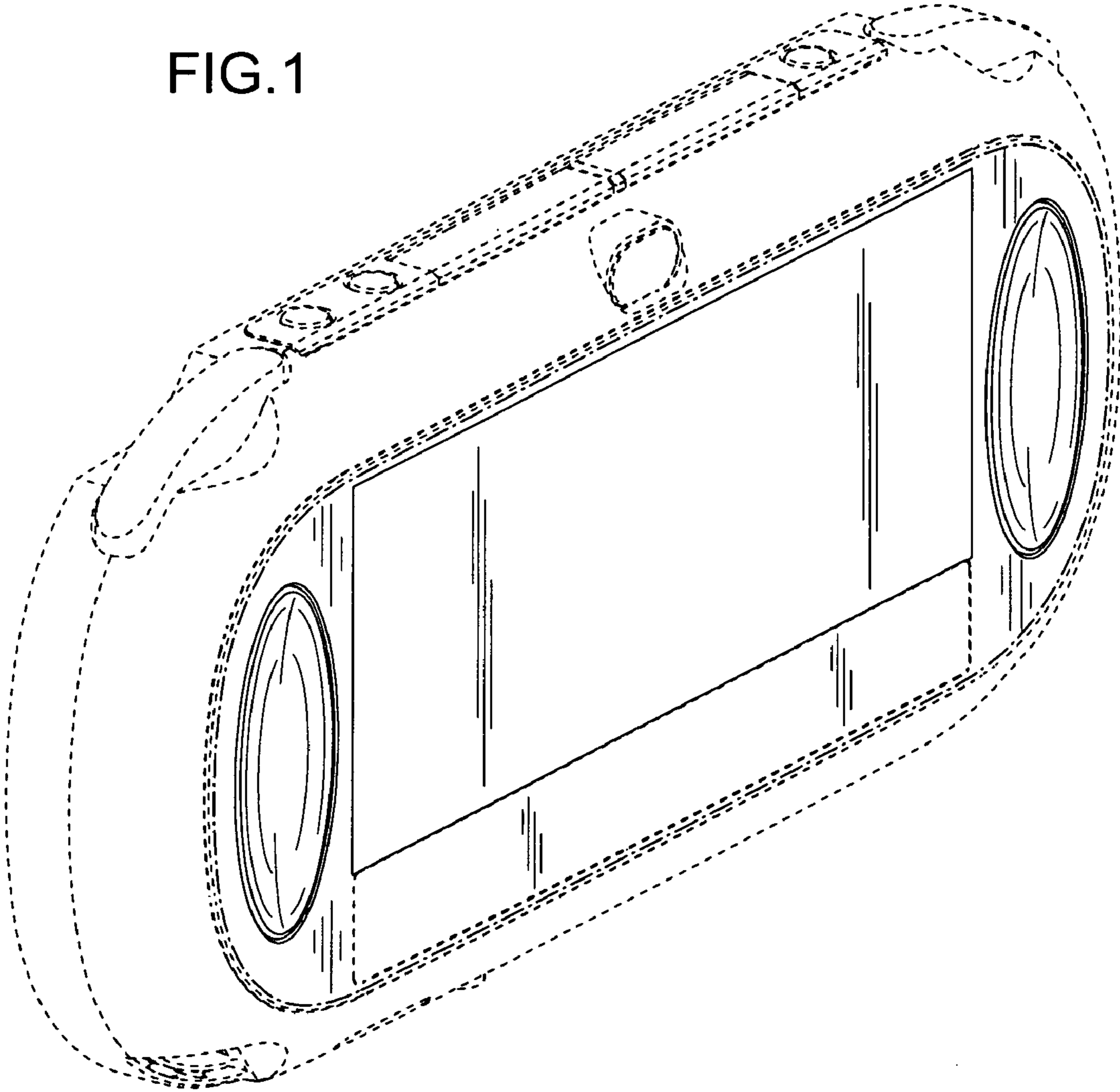


FIG. 1



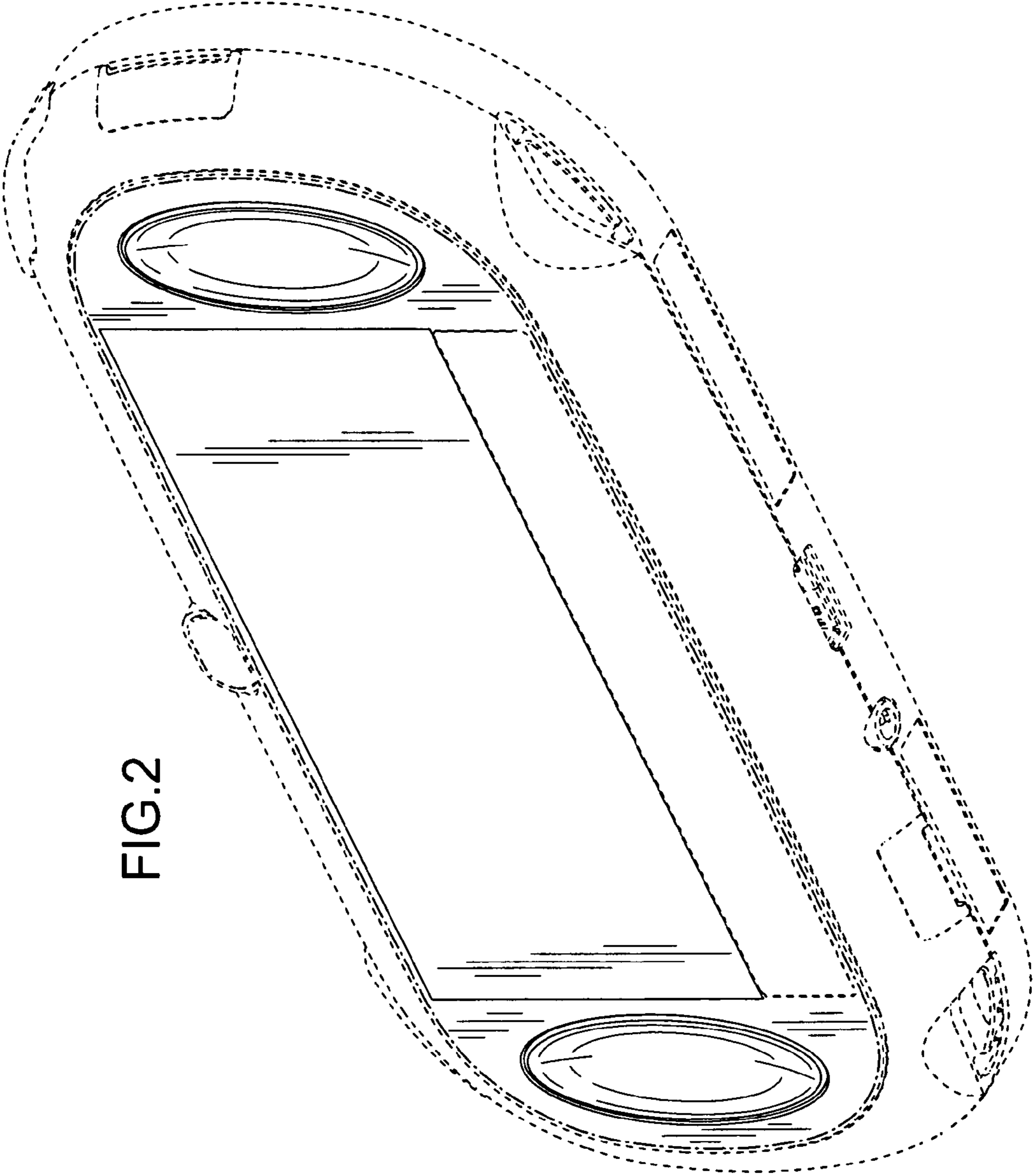


FIG. 2

FIG.3

