



US00D664211S

(12) **United States Design Patent**  
**Hase et al.**

(10) **Patent No.:** **US D664,211 S**  
(45) **Date of Patent:** **\*\* Jul. 24, 2012**

(54) **SIGNAGE DISPLAY**

(75) Inventors: **Masaki Hase**, Osaka (JP); **Tsuyoshi Shigeta**, Osaka (JP)

(73) Assignee: **Sanyo Electric Co., Ltd.**, Osaka (JP)

(\*\*) Term: **14 Years**

(21) Appl. No.: **29/402,438**

(22) Filed: **Sep. 23, 2011**

(30) **Foreign Application Priority Data**

Mar. 29, 2011 (JP) ..... 2011-007115

(51) **LOC (9) Cl.** ..... **20-03**

(52) **U.S. Cl.** ..... **D20/42**

(58) **Field of Classification Search** ..... D20/10,  
D20/19, 39-42, 99; 40/446, 472, 538, 541,  
40/542, 564, 584, 585, 617; D6/300, 308;  
D10/104.1, 109.1, 109.2; D14/126, 371,  
D14/374; D19/52; 362/812

See application file for complete search history.

(56) **References Cited**

**U.S. PATENT DOCUMENTS**

D191,779 S *	11/1961	Boudouris	.....	D20/10
D300,642 S *	4/1989	Pawlik et al.	.....	D20/10
5,042,182 A *	8/1991	King	.....	40/603
D344,294 S *	2/1994	Foust	.....	D20/42
D393,008 S *	3/1998	Hiraguchi et al.	.....	D20/42
D395,454 S *	6/1998	Hayashi	.....	D20/10
D405,473 S *	2/1999	Tikhonski et al.	.....	D20/42
D427,641 S *	7/2000	Palmer	.....	D20/42
D430,901 S *	9/2000	Palmer	.....	D20/10
D432,103 S *	10/2000	Mitsuhashi et al.	.....	D14/126
D613,338 S *	4/2010	Marukos	.....	D20/10
D635,189 S *	3/2011	Bolt et al.	.....	D19/52
2004/0244244 A1 *	12/2004	Klassen et al.	.....	40/472

**FOREIGN PATENT DOCUMENTS**

JP	D1085756 S	9/2000
JP	D1302970 S	6/2007
JP	D1307438 S	8/2007
JP	D1318779 S	1/2008
JP	D1318780 S	1/2008
JP	D1324543 S	3/2008
JP	D1332406 S	6/2008
JP	D1338168 S	8/2008
JP	D1339183 S	9/2008
JP	D1357663 S	4/2009
JP	D1375580 S	12/2009
JP	D1378589 S	2/2010
JP	D1384972 S	4/2010
JP	D1384974 S	4/2010
JP	D1385724 S	4/2010
JP	D1418451 S	7/2011

\* cited by examiner

*Primary Examiner* — Mary Ann Calabrese

(74) *Attorney, Agent, or Firm* — McDermott Will & Emery LLP; Louis J. DelJudice, Esq.

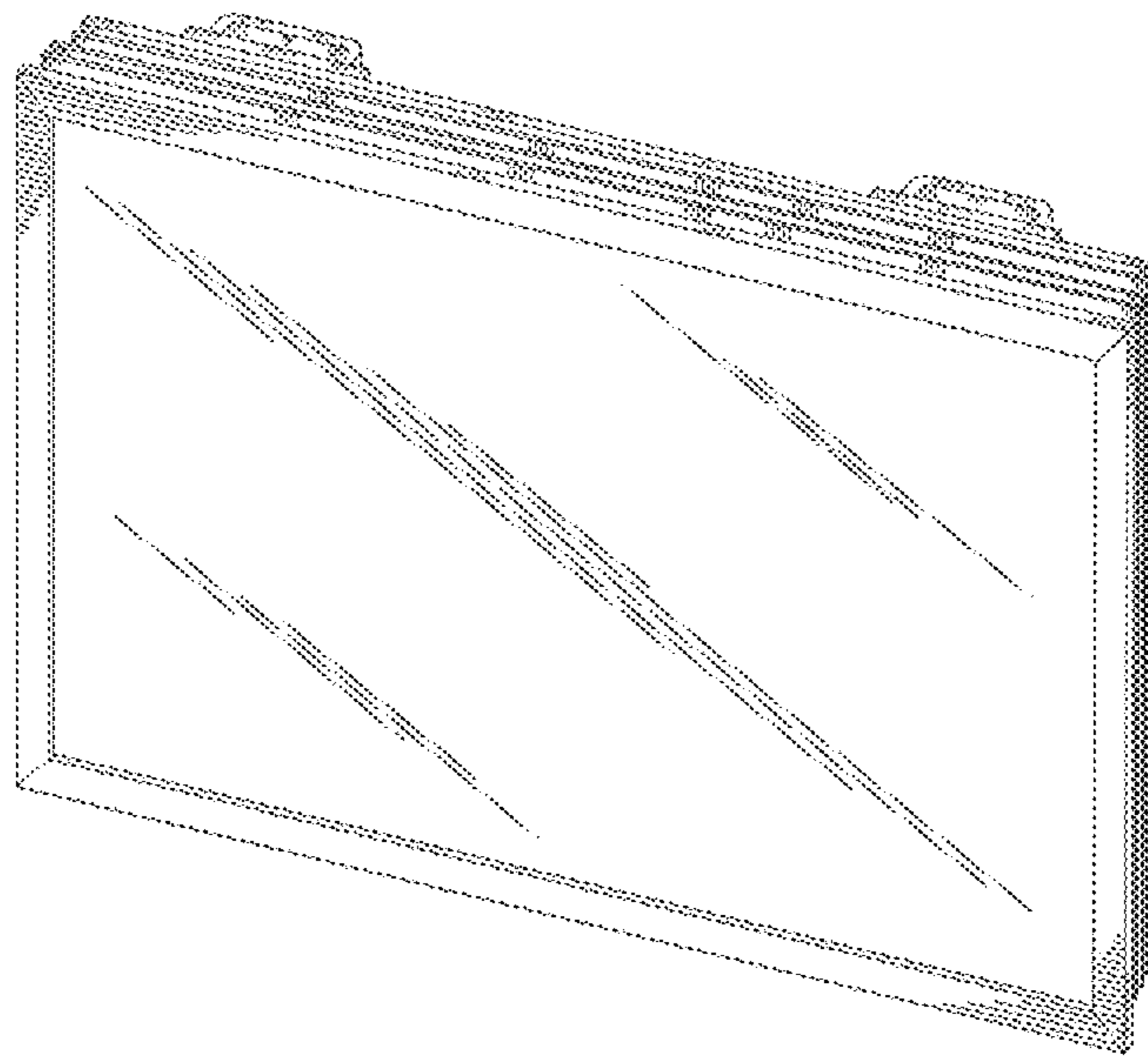
(57) **CLAIM**

The ornamental design for a signage display, as shown and described.

**DESCRIPTION**

FIG. 1 is a front, top, right-side perspective view thereof;  
FIG. 2 is a rear, top, left-side perspective view thereof;  
FIG. 3 is a front elevation view thereof;  
FIG. 4 is a rear elevation view thereof;  
FIG. 5 is an enlarged top plan view thereof;  
FIG. 6 is a bottom plan view thereof;  
FIG. 7 is a further enlarged left-side elevation view thereof;  
and,  
FIG. 8 is a right-side elevation view thereof.

**1 Claim, 5 Drawing Sheets**



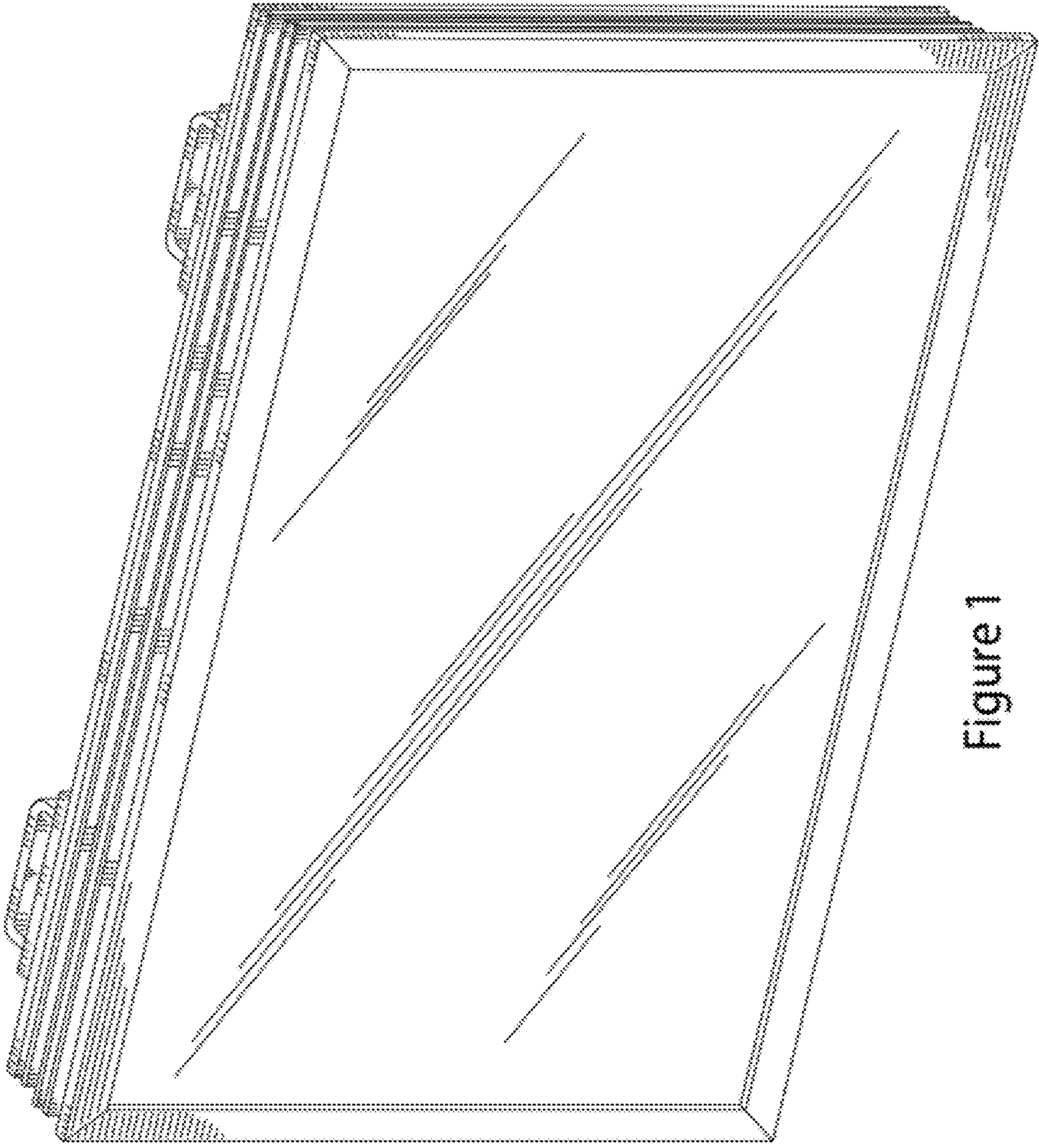


Figure 1

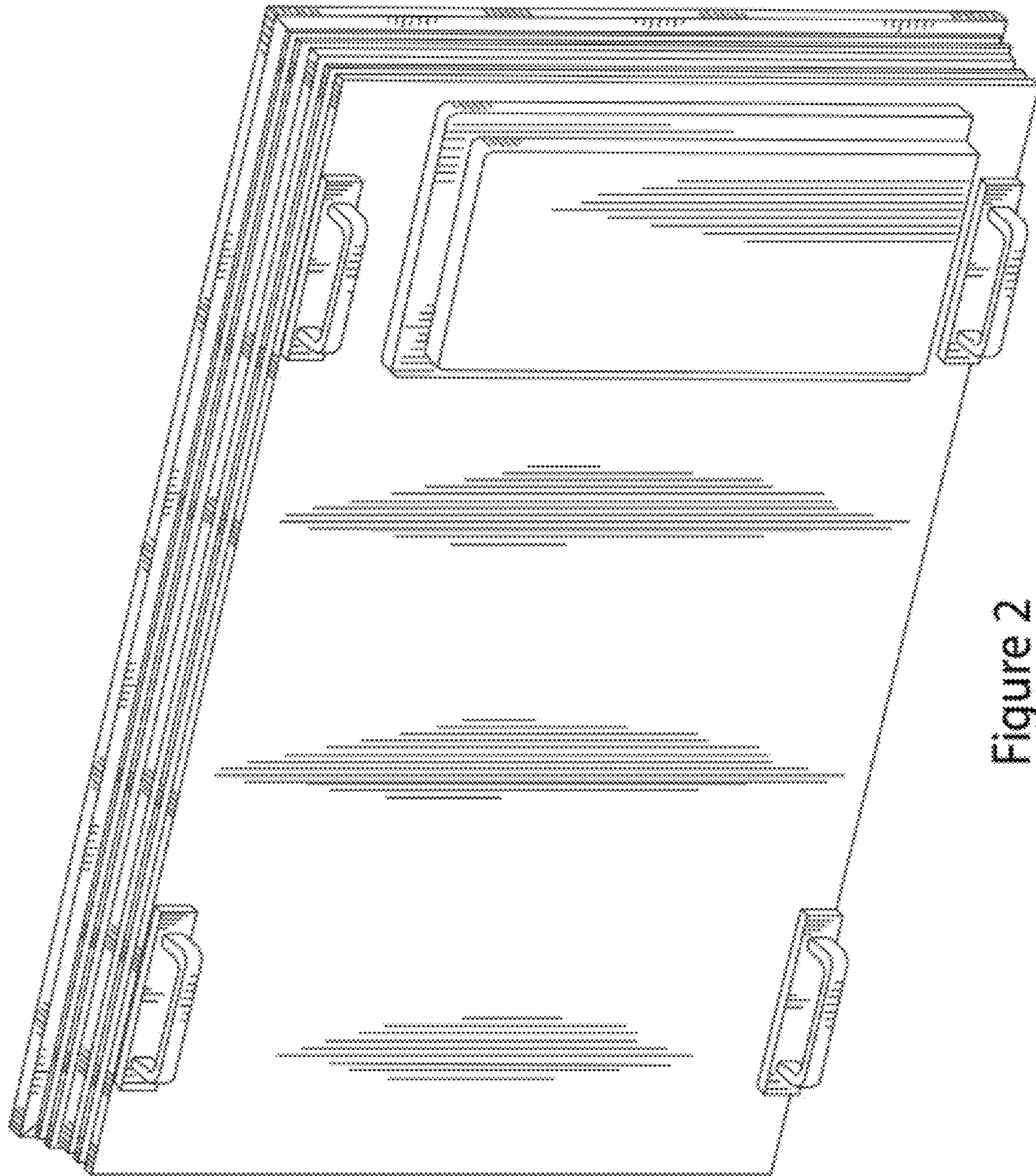


Figure 2

Figure 3

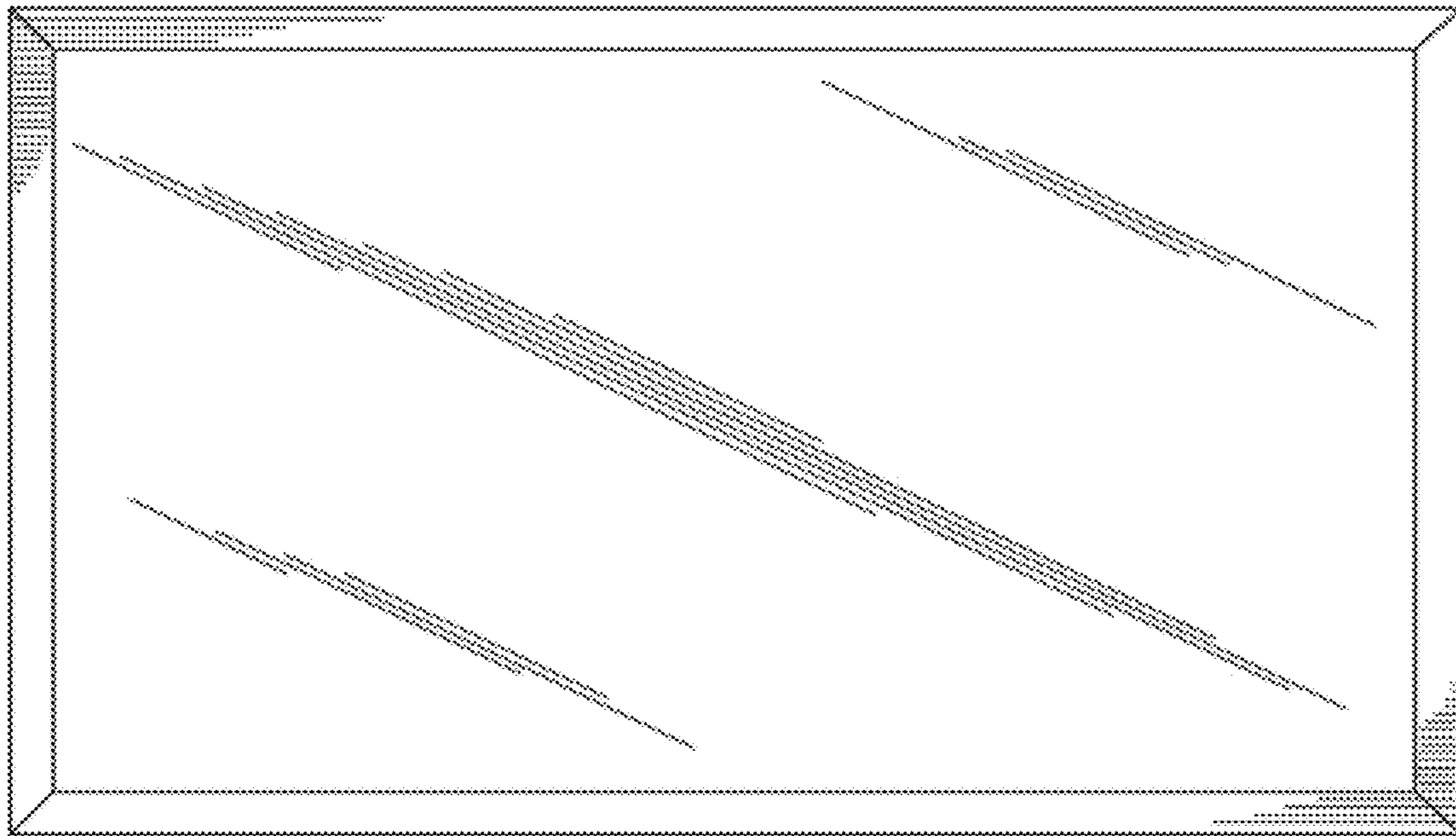
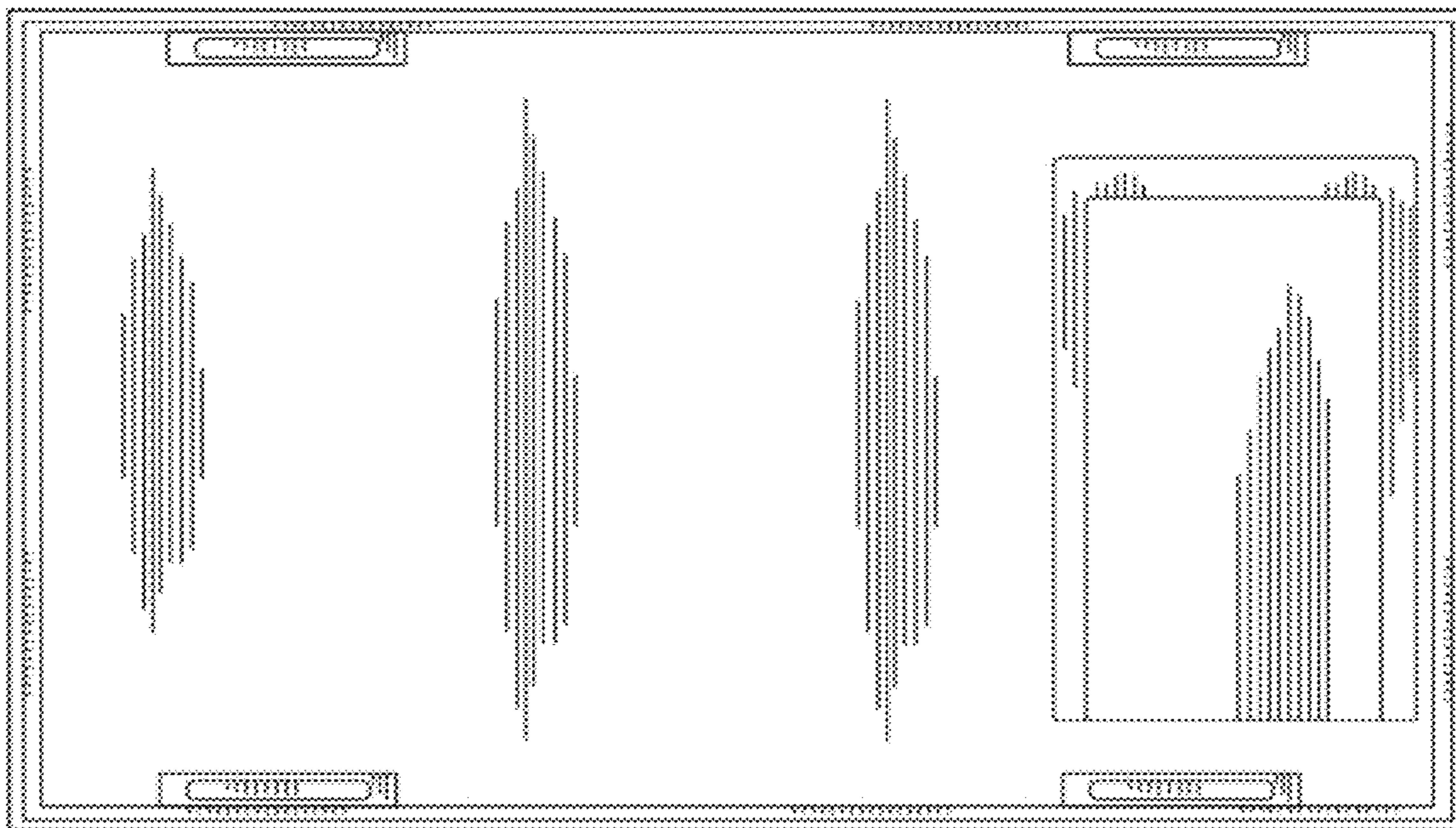


Figure 4



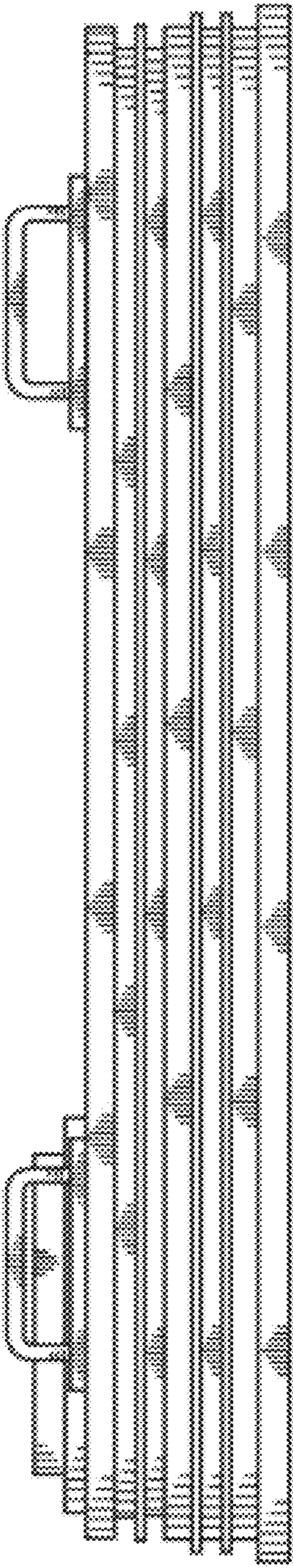


Figure 5

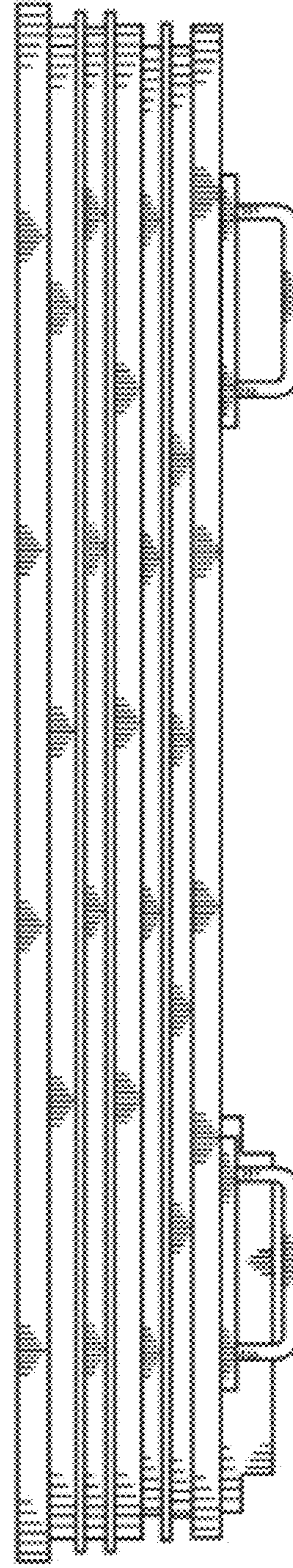


Figure 6

Figure 7

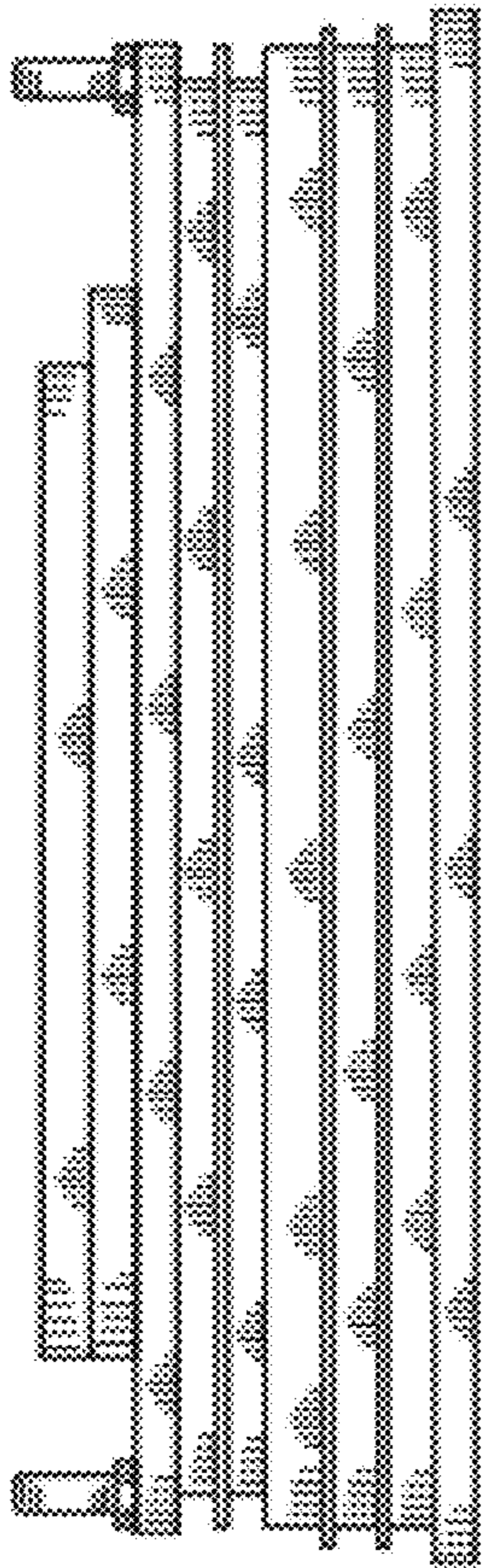


Figure 8

