



US00D664208S

(12) **United States Design Patent**  
**Bengyak**

(10) **Patent No.:** **US D664,208 S**  
(45) **Date of Patent:** **\*\* Jul. 24, 2012**

(54) **HAND SIGN**

(76) Inventor: **Christopher Edward Bengyak**, Vero Beach, FL (US)

(\*\*) Term: **14 Years**

(21) Appl. No.: **29/395,025**

(22) Filed: **Nov. 10, 2011**

(51) **LOC (9) Cl.** ..... **20-03**

(52) **U.S. Cl.** ..... **D20/29; D20/33**

(58) **Field of Classification Search** ..... D20/10,  
D20/19, 29-33, 36, 37, 40, 99; 40/446, 538,  
40/541, 584, 586; D2/400; D11/131, 133,  
D11/149; D21/400; D26/94

See application file for complete search history.

(56) **References Cited**

**U.S. PATENT DOCUMENTS**

D91,876 S *	4/1934	Hammer	.....	D20/37
D144,710 S *	5/1946	Gosling	.....	D20/33
D191,585 S *	10/1961	Miller	.....	D21/400
D313,496 S *	1/1991	Pesta	.....	D2/869
D314,162 S *	1/1991	Long	.....	D11/131
D360,653 S *	7/1995	McKee	.....	D20/33

(Continued)

**OTHER PUBLICATIONS**

Basket with Basketball—Trademark Registration No. 3101737, Jun. 6, 2006 (Registrant) NBA Properties, Inc. Trademark Electronic Service System (TESS), at [www.uspto.gov](http://www.uspto.gov).\*

(Continued)

*Primary Examiner* — Mary Ann Calabrese

(57) **CLAIM**

The ornamental design for a hand sign, as shown and described.

**DESCRIPTION**

FIG. 1 is a right-side elevational view of a first embodiment of a left-hand hand sign according to the invention;

FIG. 2 is a left-side elevational view of the left-hand hand sign of FIG. 1;

FIG. 3 is a rear elevational view of the left-hand hand sign of FIG. 1;

FIG. 4 is a top plan view of the left-hand hand sign of FIG. 1; FIG. 5 is a bottom plan view of the left-hand hand sign of FIG. 1;

FIG. 6 is a front elevational view of the left-hand hand sign of FIG. 1;

FIG. 7 is a perspective view from above the rear of the left side of the left-hand hand sign of FIG. 2;

FIG. 8 is a perspective view from below the front of the left side of the left-hand hand sign of FIG. 2;

FIG. 9 is a left-side elevational view of a second embodiment of a right-hand hand sign according to the invention;

FIG. 10 is a right-side elevational view of the right-hand hand sign of FIG. 9;

FIG. 11 is a front elevational view of the right-hand hand sign of FIG. 9;

FIG. 12 is a top plan view of the right-hand hand sign of FIG. 9;

FIG. 13 is a bottom plan view of the right-hand hand sign of FIG. 9;

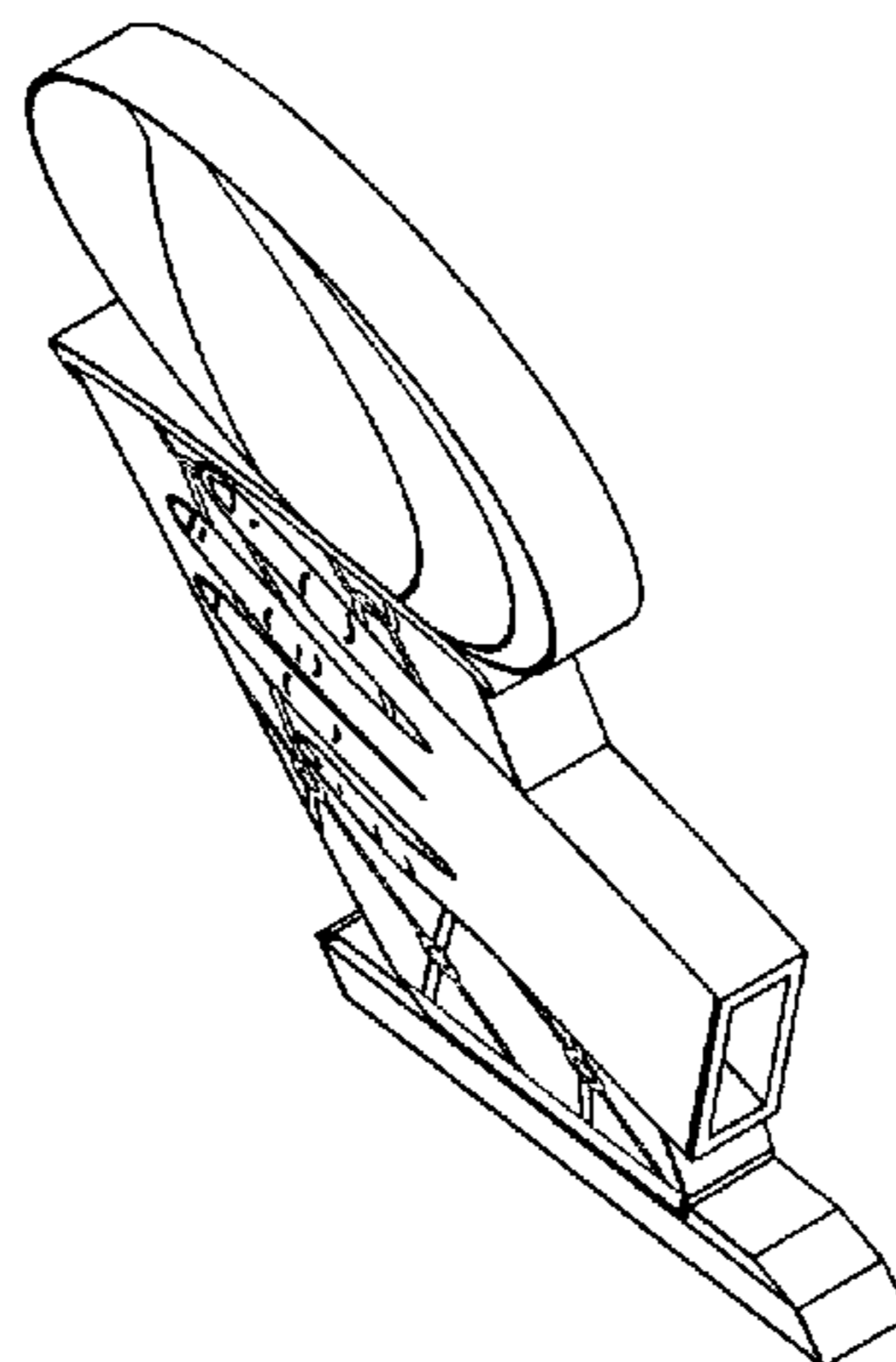
FIG. 14 is a rear elevational view of the right-hand hand sign of FIG. 9;

FIG. 15 is a perspective view from above the rear of the right side of the right-hand hand sign of FIG. 10; and,

FIG. 16 is a perspective view from below the front of the right side of the right-hand hand sign of FIG. 10.

The basket and basketball logo is a registered trade mark owned by NBA Properties, Inc. CORPORATION NEW YORK Intellectual Property Group Olympic Tower-645 Fifth Avenue New York NEW YORK 10022.

**1 Claim, 6 Drawing Sheets**



# US D664,208 S

Page 2

---

## U.S. PATENT DOCUMENTS

D406,378 S \* 3/1999 Walters et al. .... D26/94  
D429,285 S \* 8/2000 Schini ..... D20/32  
D461,430 S \* 8/2002 Hopkins ..... D11/149  
D511,795 S \* 11/2005 Hopkins ..... D20/29  
D519,160 S \* 4/2006 Lee et al. .... D20/10  
D633,152 S \* 2/2011 Scott ..... D20/33  
D641,791 S \* 7/2011 Scott ..... D20/33  
D647,571 S \* 10/2011 Bengyak ..... D20/33  
D649,597 S \* 11/2011 Malinowski ..... D20/33  
D649,598 S \* 11/2011 Bengyak ..... D20/33  
D651,652 S \* 1/2012 Bengyak ..... D20/29

## OTHER PUBLICATIONS

Basket with Basketball—Trademark Registrationl No. 3216269, Mar. 6, 2007 (Registrant) NBA Properties, Inc. Trademark Electronic Service System (TESS), at [www.uspto.gov](http://www.uspto.gov).\*

NBA Playoffs Championship Logo (2006/07 - )—Chris Creamer’s [sportslogos.net](http://www.sportslogos.net) <http://www.sportslogos.net/logo.php?id=1bik8rxa9m0k4516xxmk> pulled from the web on Feb. 8, 2012.\*

NBA Trophy—Larry O’Brien Championship Trophy—Wikipedia [http://en.wikipedia.org/wiki/File:NBA\\_Trophy.png](http://en.wikipedia.org/wiki/File:NBA_Trophy.png) pulled from the web on Feb. 8, 2012.\*

\* cited by examiner

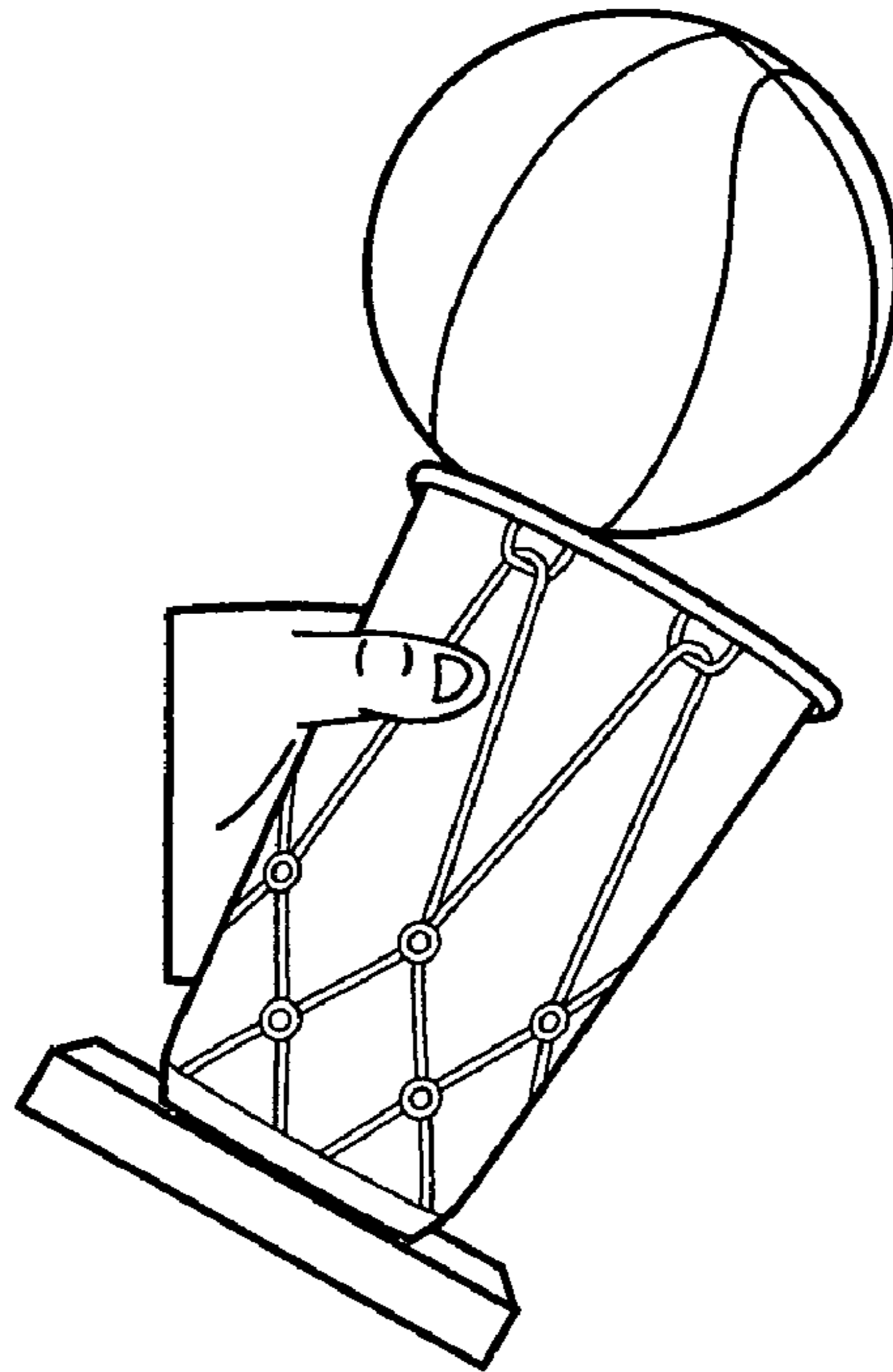


FIG. 1

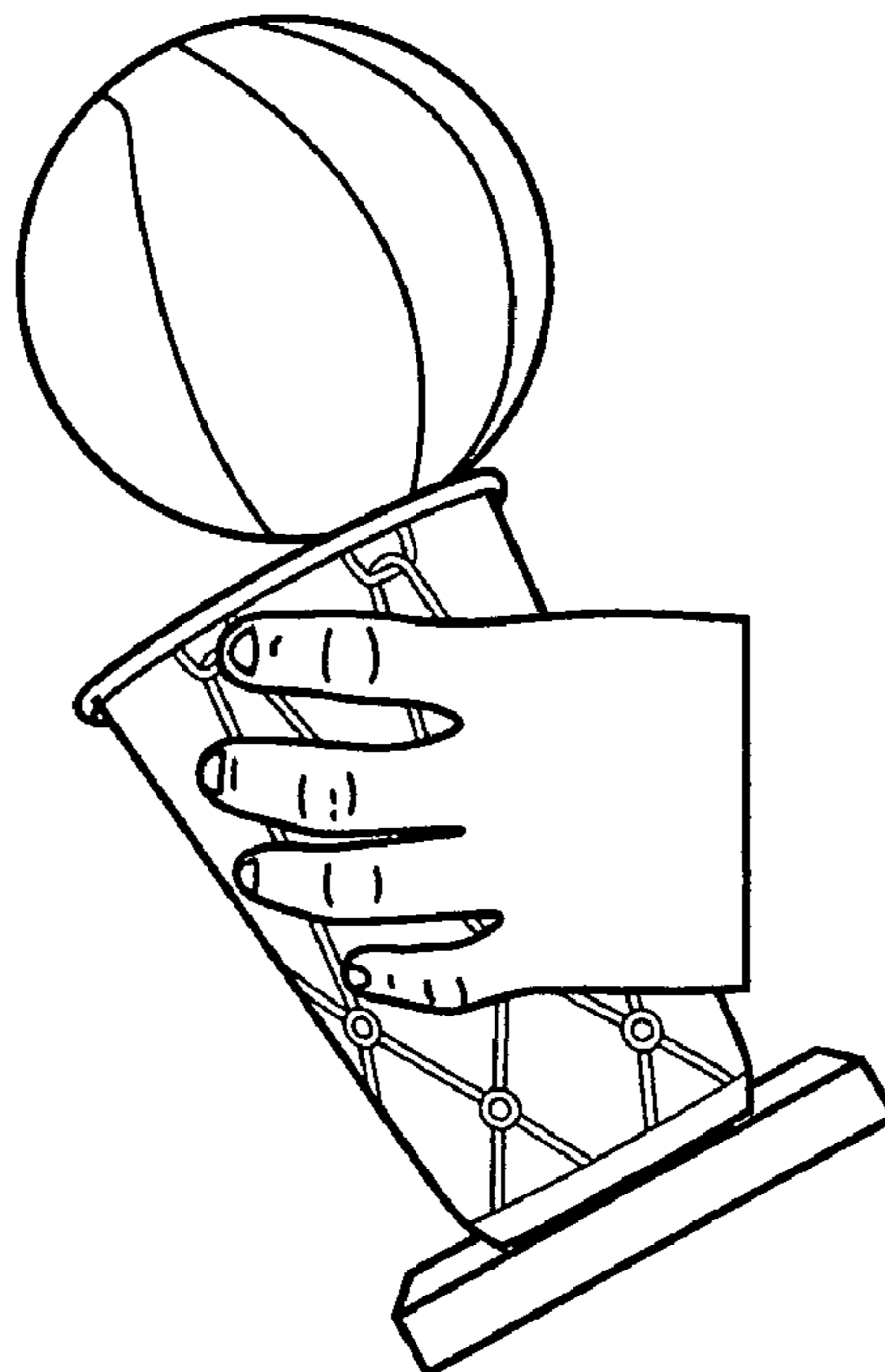


FIG. 2



FIG. 4

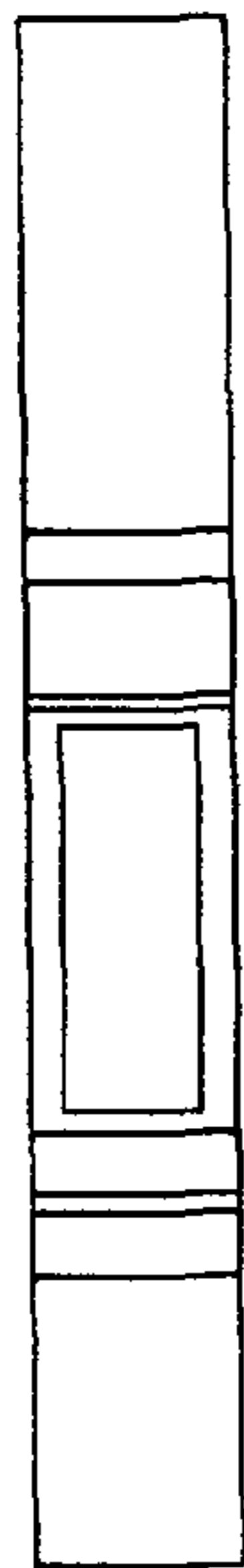


FIG. 3



FIG. 6



FIG. 5

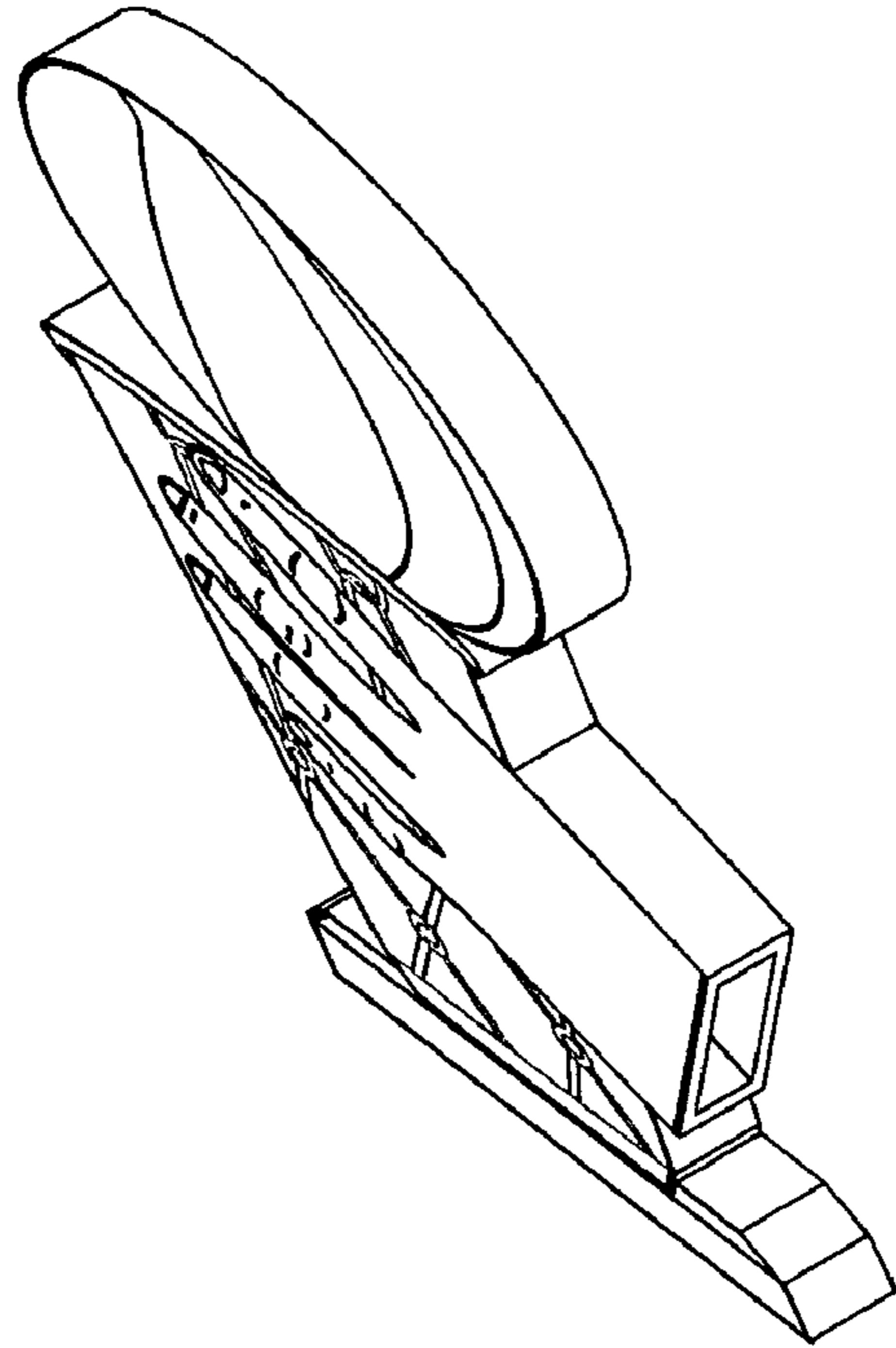


FIG. 7

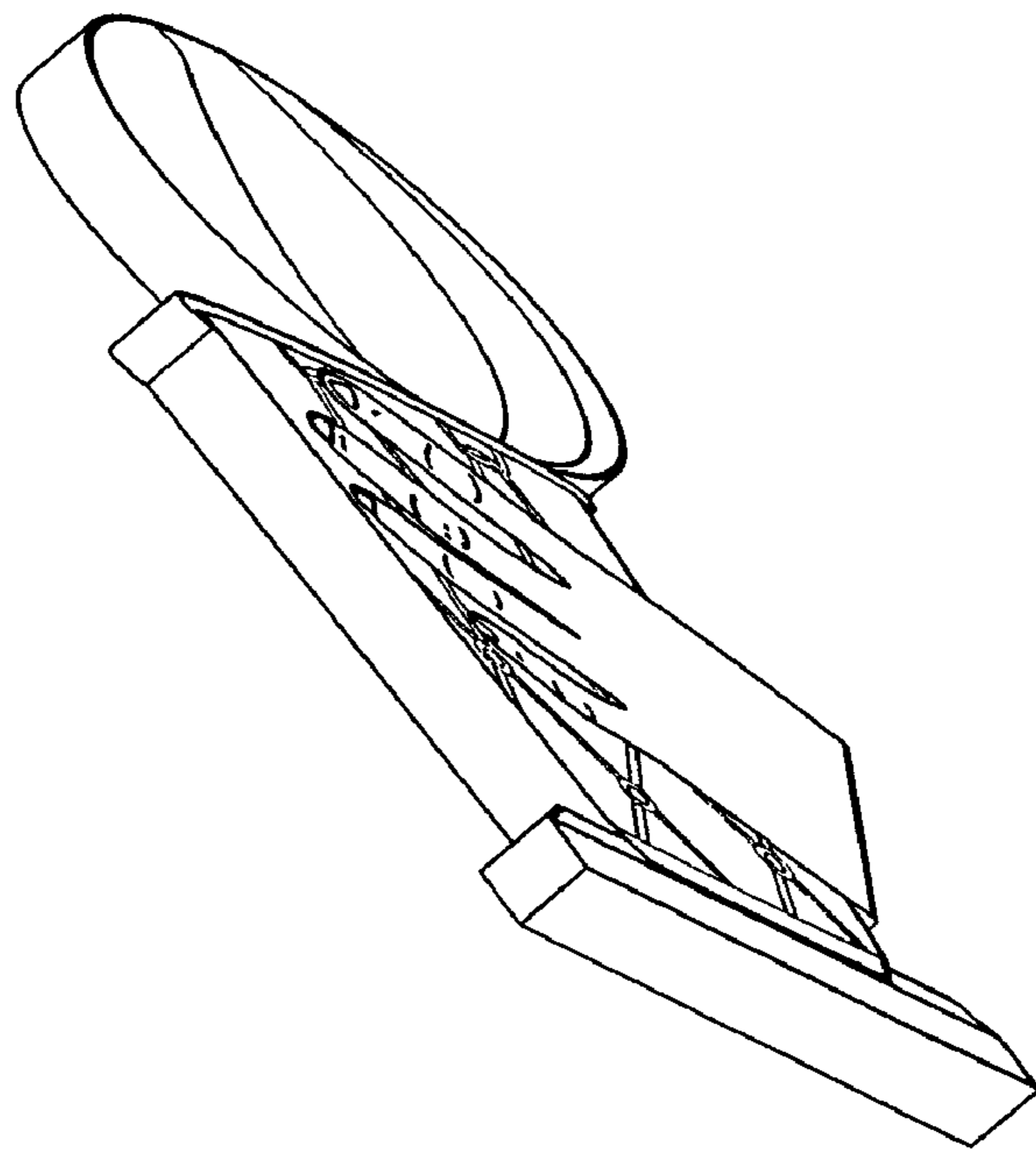


FIG. 8

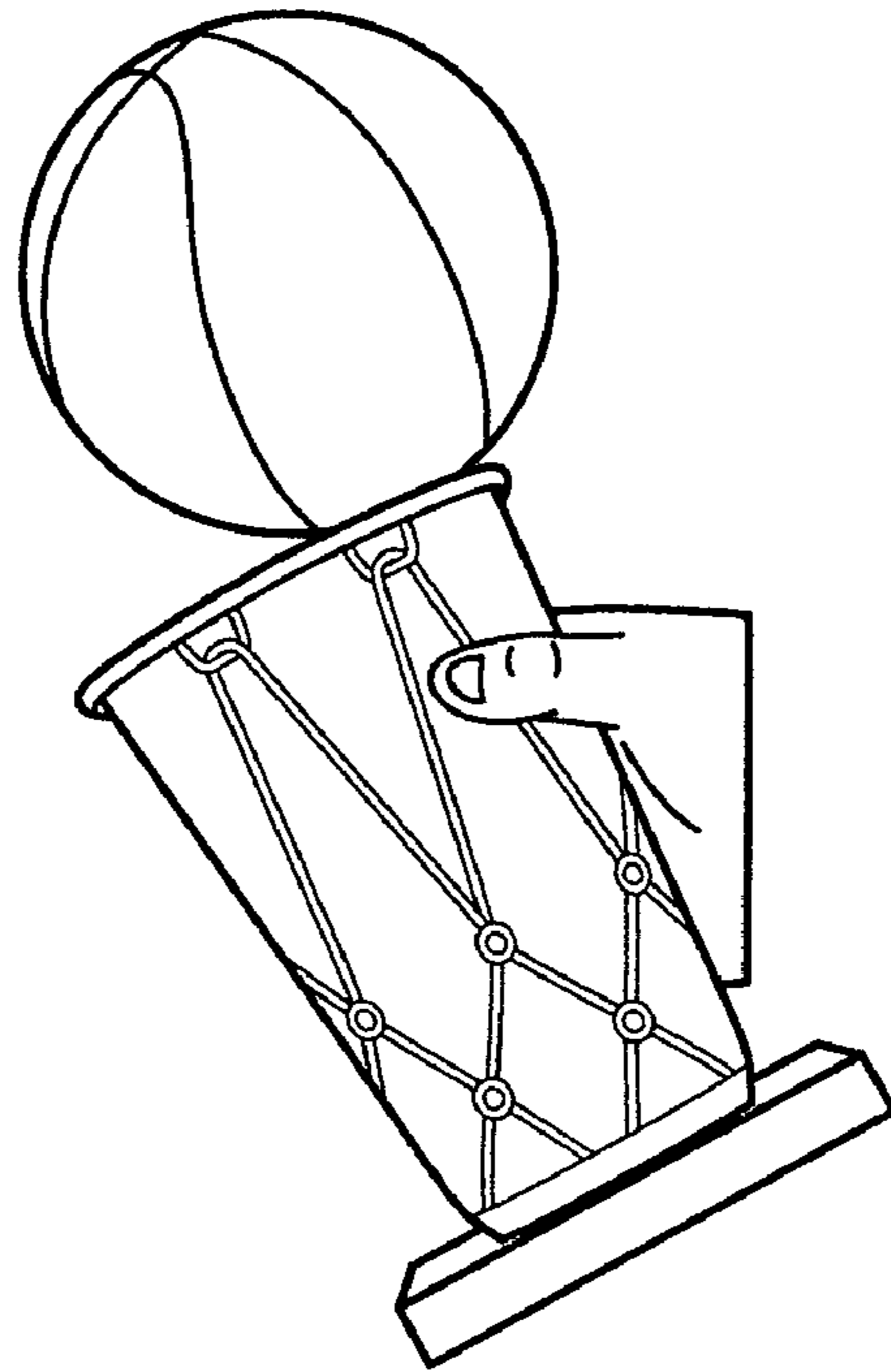


FIG. 9

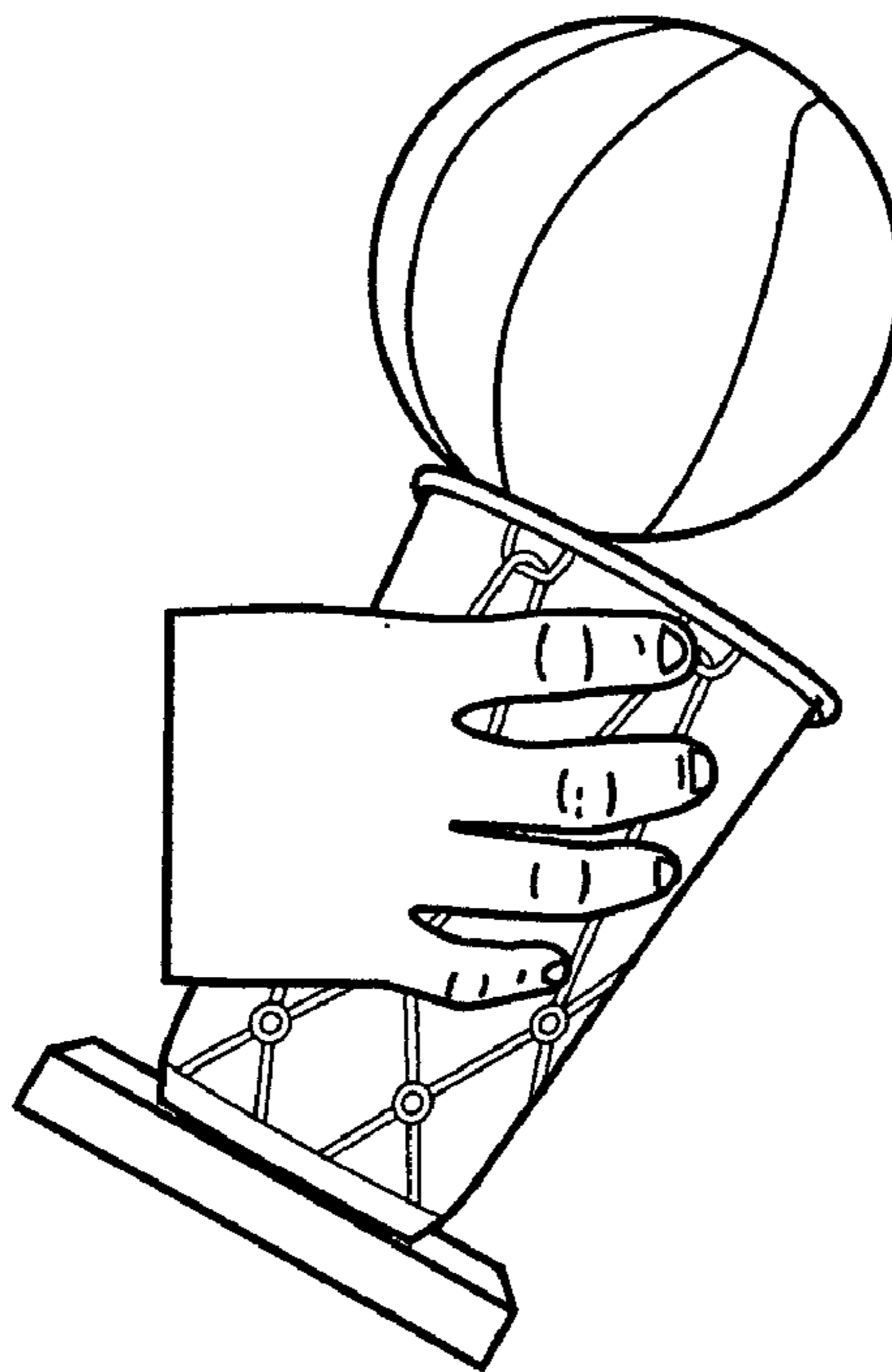


FIG. 10



FIG. 12

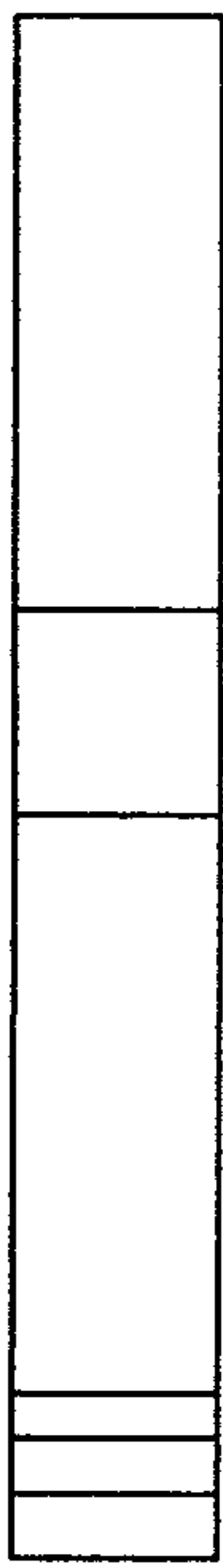


FIG. 11

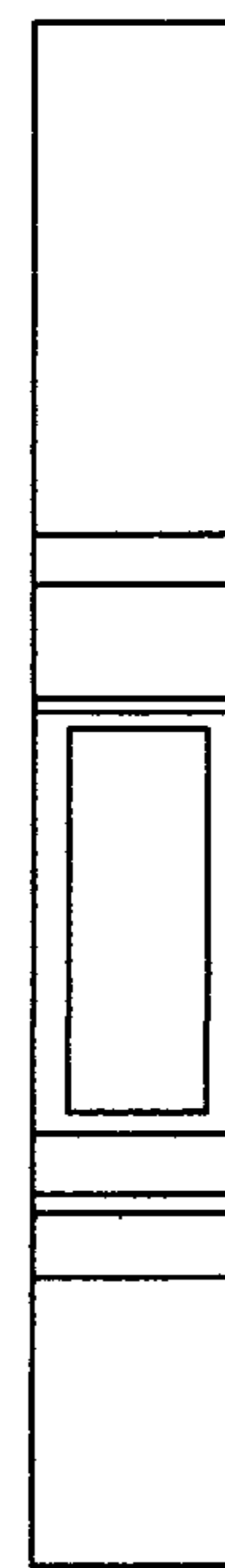


FIG. 14



FIG. 13

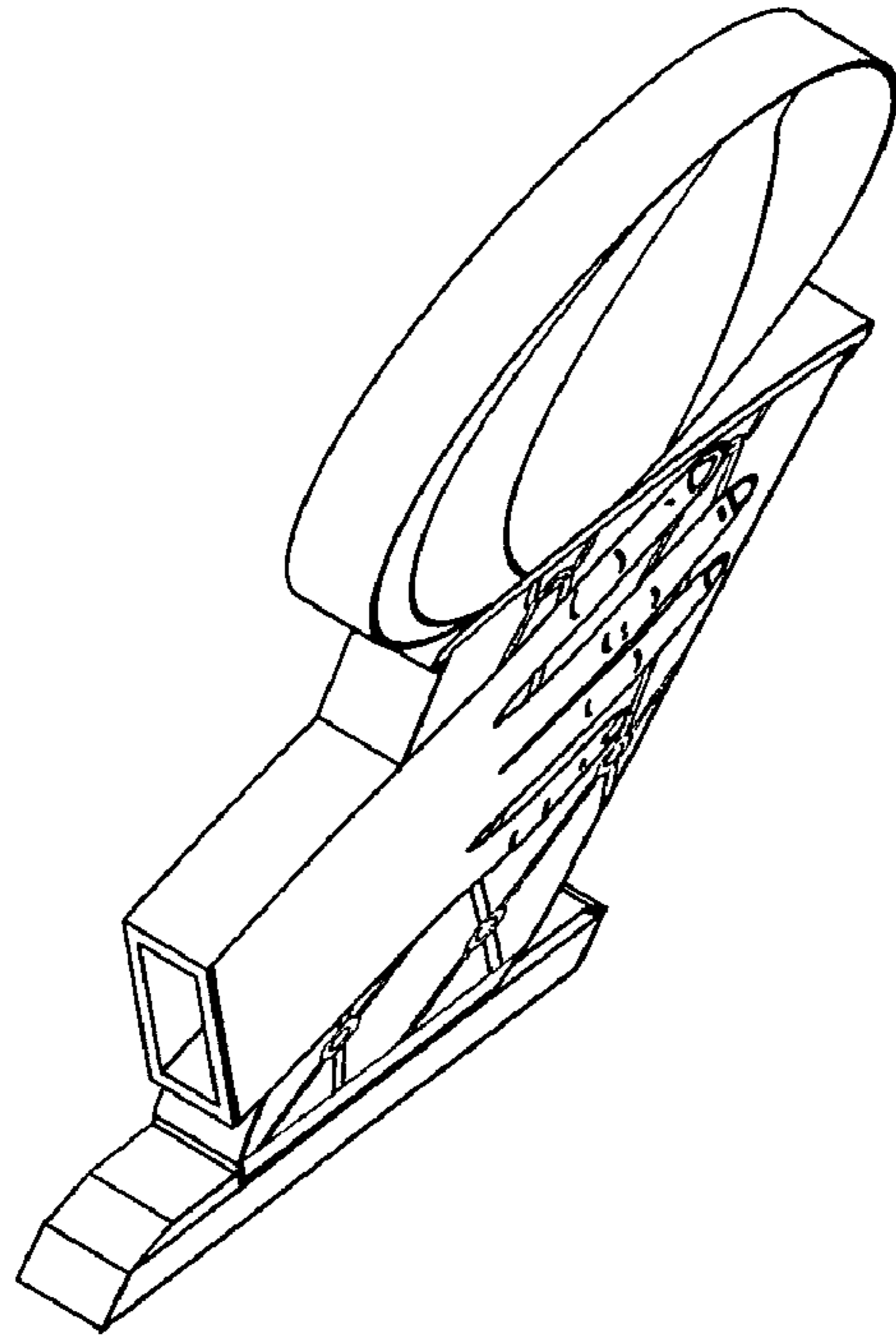


FIG. 15

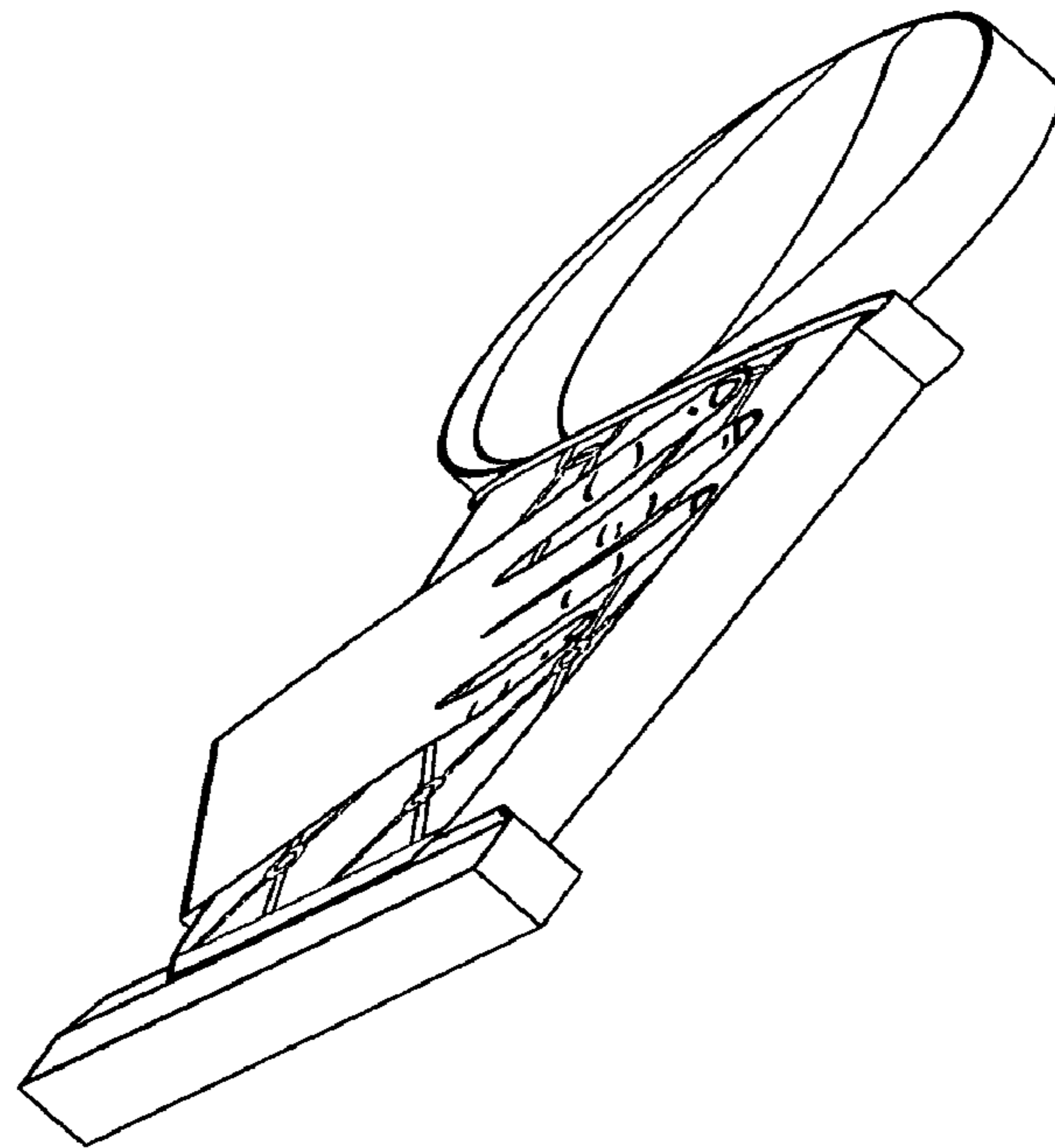


FIG. 16