



US00D664206S

(12) **United States Design Patent**
Bengyak

(10) **Patent No.:** **US D664,206 S**
(45) **Date of Patent:** **** Jul. 24, 2012**

(54) **HAND SIGN**

(76) Inventor: **Christopher Edward Bengyak**, Vero Beach, FL (US)

(**) Term: **14 Years**

(21) Appl. No.: **29/374,186**

(22) Filed: **Jul. 12, 2011**

(51) **LOC (9) Cl.** **20-03**

(52) **U.S. Cl.** **D20/29; D20/33**

(58) **Field of Classification Search** D20/10,
D20/19, 29-33, 36, 40, 99; 40/446, 538,
40/541, 584, 586; D2/615; D21/400
See application file for complete search history.

(56) **References Cited**

U.S. PATENT DOCUMENTS

D360,653 S * 7/1995 McKee D20/33
D427,638 S * 7/2000 Collins et al. D20/10
D429,285 S * 8/2000 Schini D20/32

(Continued)

OTHER PUBLICATIONS

Foam Liberty Bell—PromotionalItems.net <http://www.promotionalitems.net/index.php/basketball-net-cheering-mitt.html>
pulled from the web on Dec. 13, 2011.*

(Continued)

Primary Examiner — Mary Ann Calabrese

(57) **CLAIM**

The ornamental design for a hand sign, as shown and described.

DESCRIPTION

FIG. 1 is a right-side elevational view of a first embodiment of a left-hand hand sign according to the invention;

FIG. 2 is a left-side elevational view of the left-hand hand sign of FIG. 1;

FIG. 3 is a reduced scale rear elevational view of the left-hand hand sign of FIG. 1;

FIG. 4 is a reduced scale top plan view of the left-hand hand sign of FIG. 1;

FIG. 5 is a reduced scale bottom plan view of the left-hand hand sign of FIG. 1;

FIG. 6 is a reduced scale front plan view of the left-hand hand sign of FIG. 1;

FIG. 7 is a perspective view from below the rear of the right side of the left-hand hand sign of FIG. 1;

FIG. 8 is a perspective view from above the front of the right side of the left-hand hand sign of FIG. 1;

FIG. 9 is a left-side elevational view of a second embodiment of a right-hand hand sign according to the invention;

FIG. 10 is a right-side elevational view of the right-hand hand sign of FIG. 9;

FIG. 11 is a reduced scale front elevational view of the right-hand hand sign of FIG. 9;

FIG. 12 is a reduced scale top plan view of the right-hand hand sign of FIG. 9;

FIG. 13 is a reduced scale bottom plan view of the right-hand hand sign of FIG. 9;

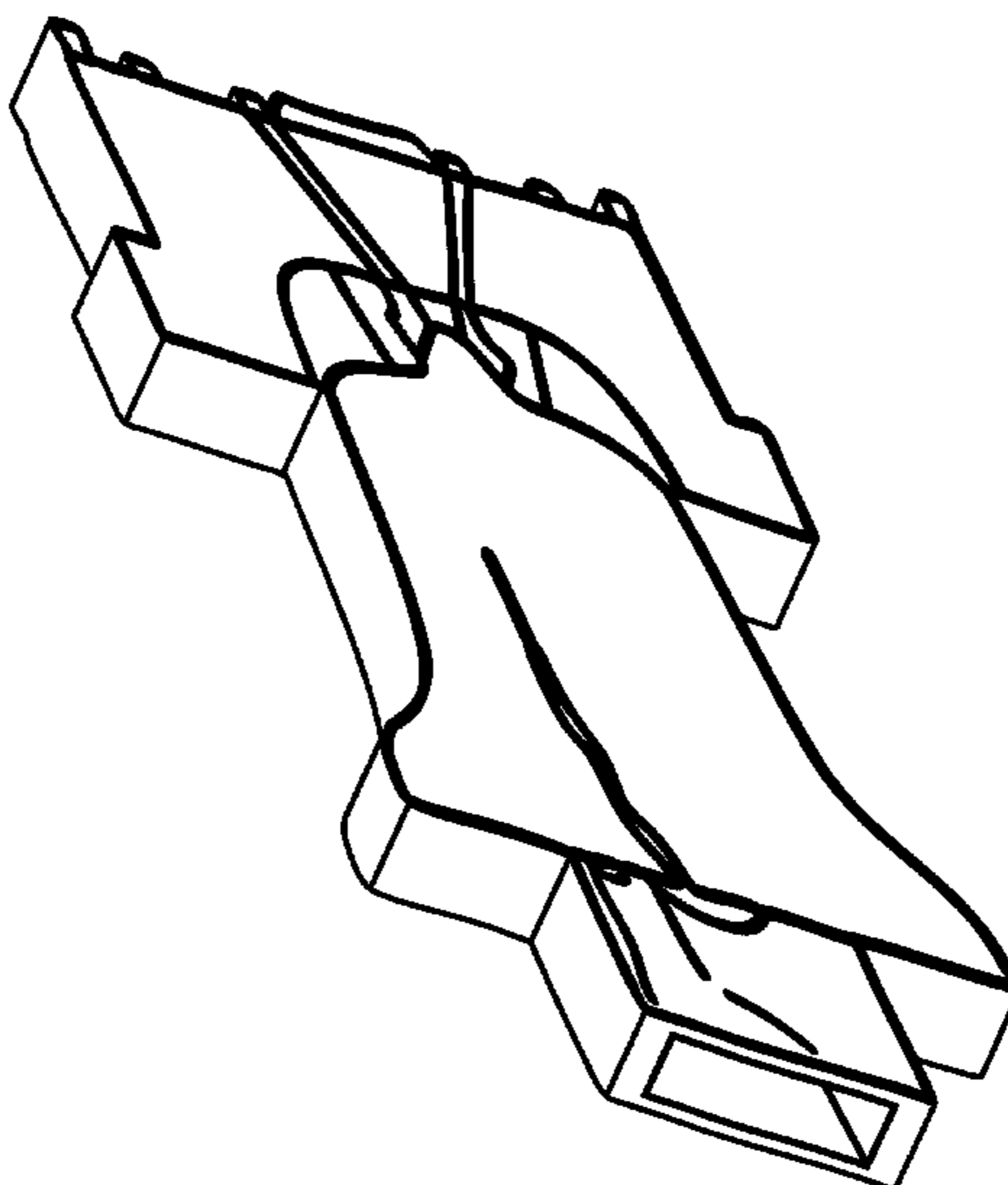
FIG. 14 is a reduced scale rear elevational view of the right-hand hand sign of FIG. 9;

FIG. 15 is a perspective view from below the rear of the left side of the right-hand hand sign of FIG. 9; and,

FIG. 16 is a perspective view from above the front of the left side of the right-hand hand sign of FIG. 9.

The “Liberty Bell” logo is a registered trademark owned/registered by the Phillies David P Montgomery, a U.S. citizen, its sole general partner LIMITED PARTNERSHIP PENNSYLVANIA Citizens Bank Park One Citizens Bank Way Philadelphia Pa. 19148.

1 Claim, 10 Drawing Sheets



US D664,206 S

Page 2

U.S. PATENT DOCUMENTS

D555,205 S * 11/2007 Strong D20/10
D628,650 S * 12/2010 Lake D20/33
D628,651 S * 12/2010 Lake D20/33
D633,945 S * 3/2011 Scott D20/33
D633,946 S * 3/2011 Scott D20/33
D641,424 S * 7/2011 Bengyak D20/29
D641,791 S * 7/2011 Scott D20/33
D647,571 S * 10/2011 Bengyak D20/33
2003/0074819 A1 * 4/2003 Corona 40/586

OTHER PUBLICATIONS

Liberty Bell—Trademark Registration No. 3648957, Jun. 30, 2009
The Phillies David P. Montgomery, a U.S. citizen, its sole general
partner Limited Partnership Pennsylvania Trademark Electronic Ser-
vice System (TESS), available at www.uspto.gov.
Philadelphia Phillies Alternate Logo (1992 -)—Chris Creamer's
SportsLogos.Net <http://www.sportslogos.net/logo.php?id=de3h67bkly50rbi6s39ztc41q> pulled from the web on Nov.
30, 2011.*

* cited by examiner

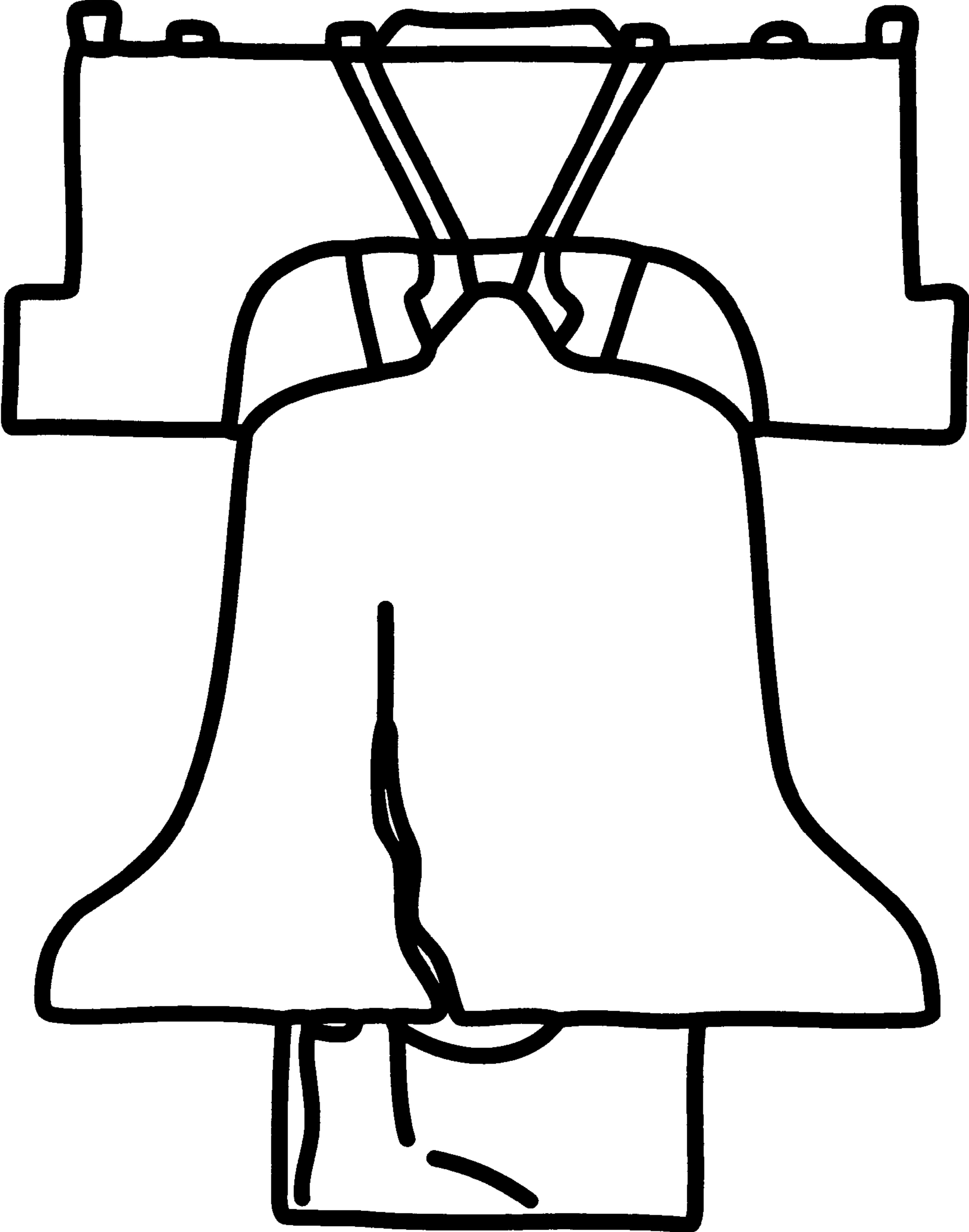


FIG. 1

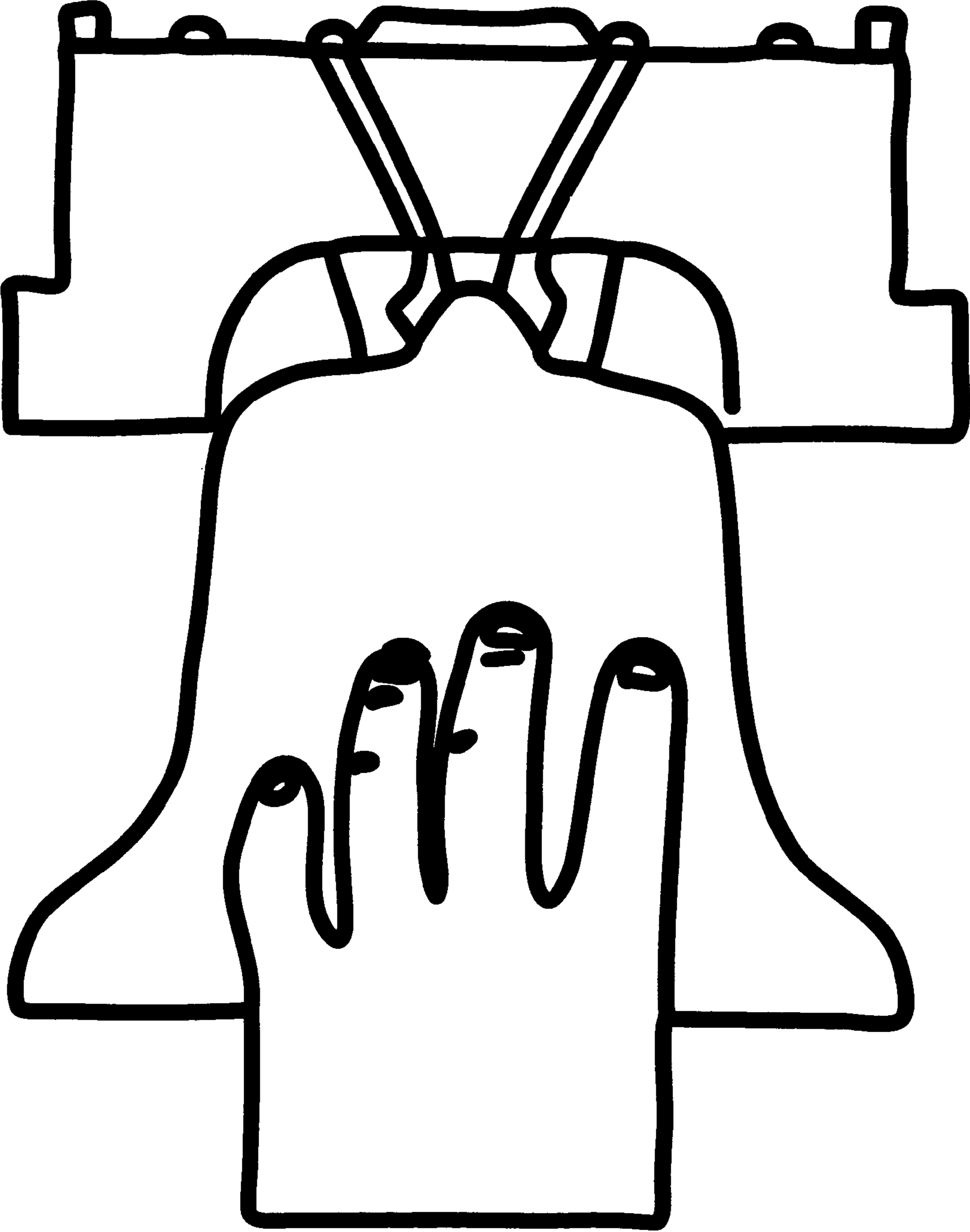


FIG. 2

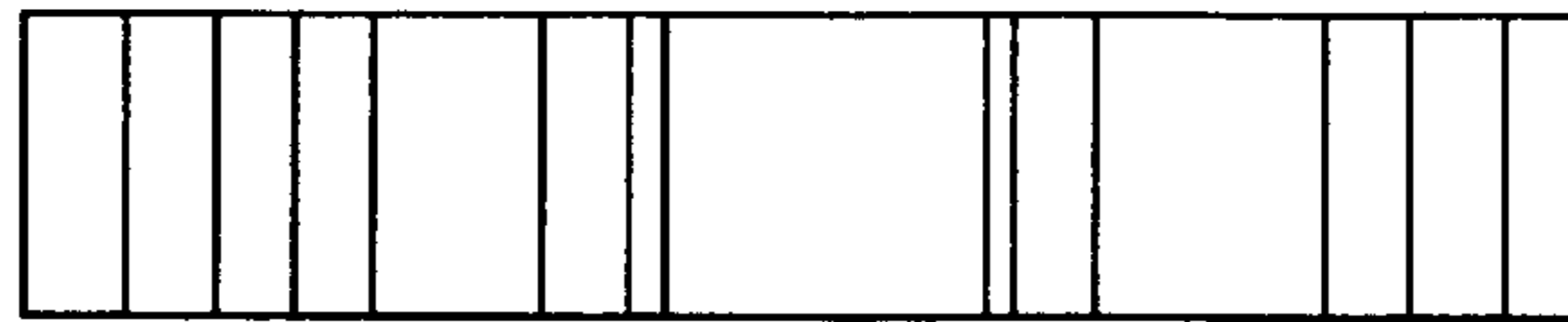


FIG. 4



FIG. 3

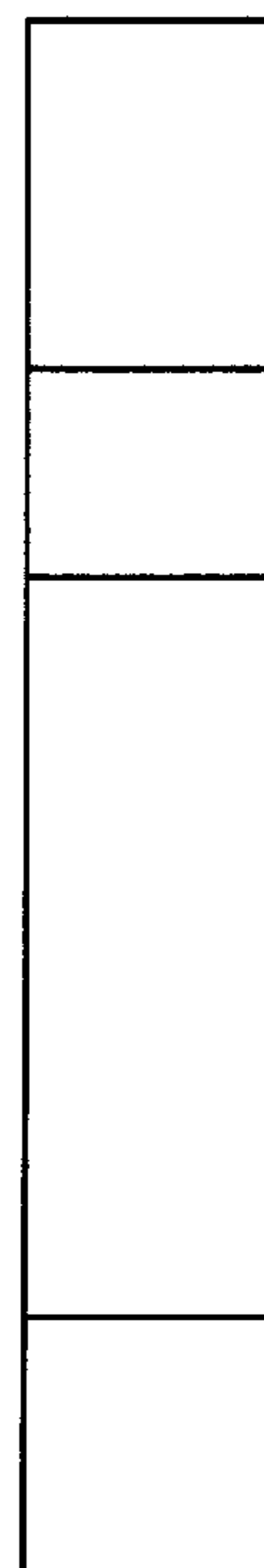


FIG. 6

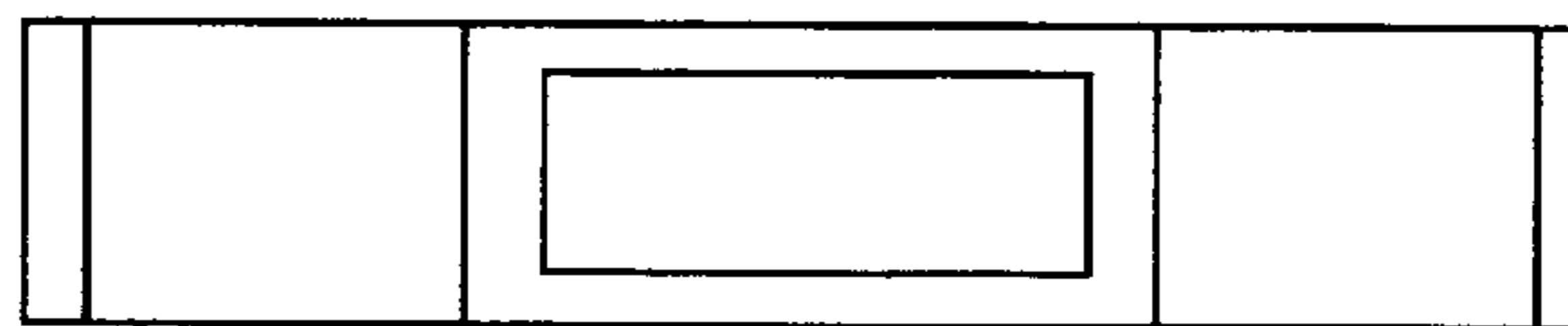


FIG. 5

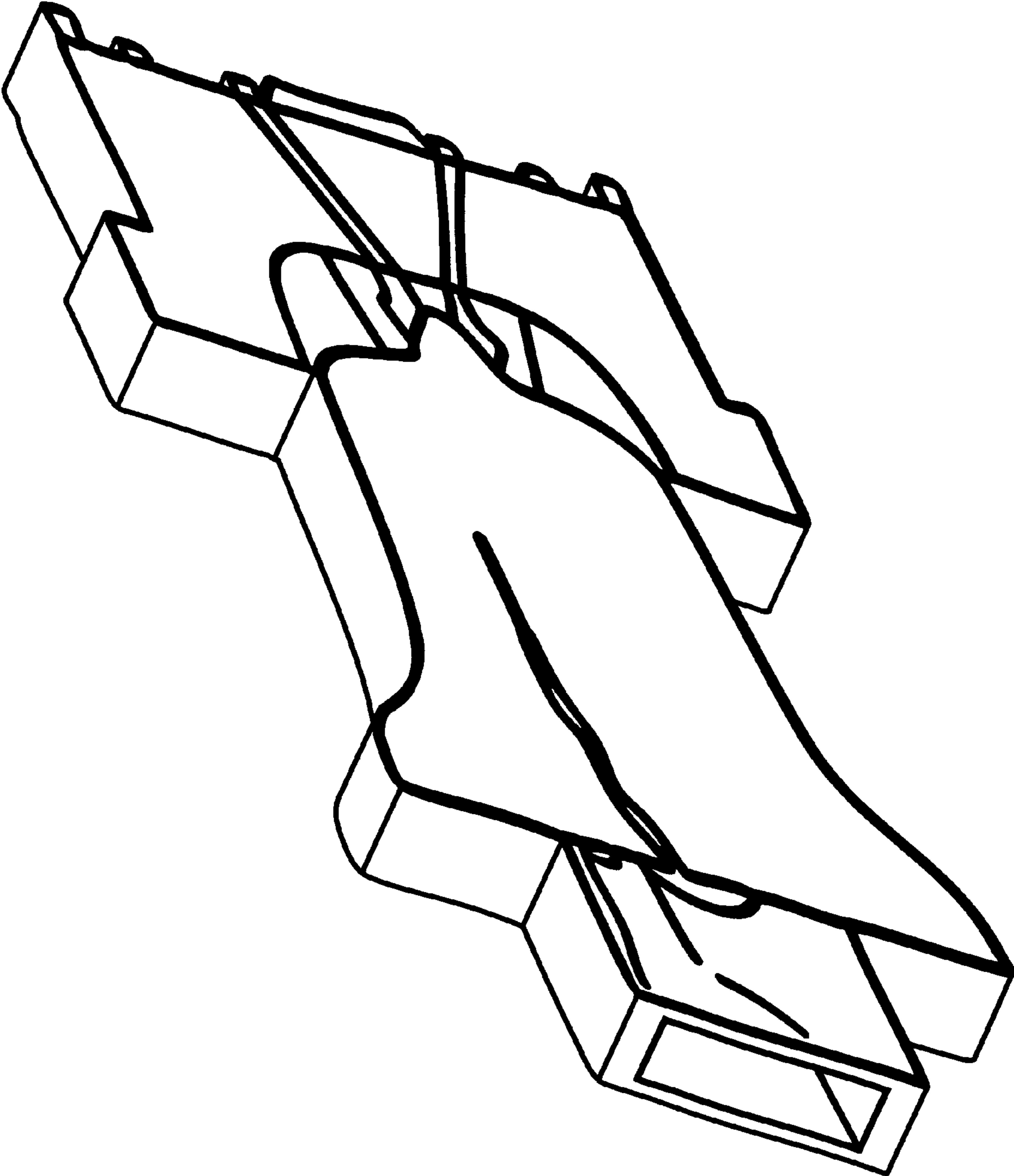


FIG. 7

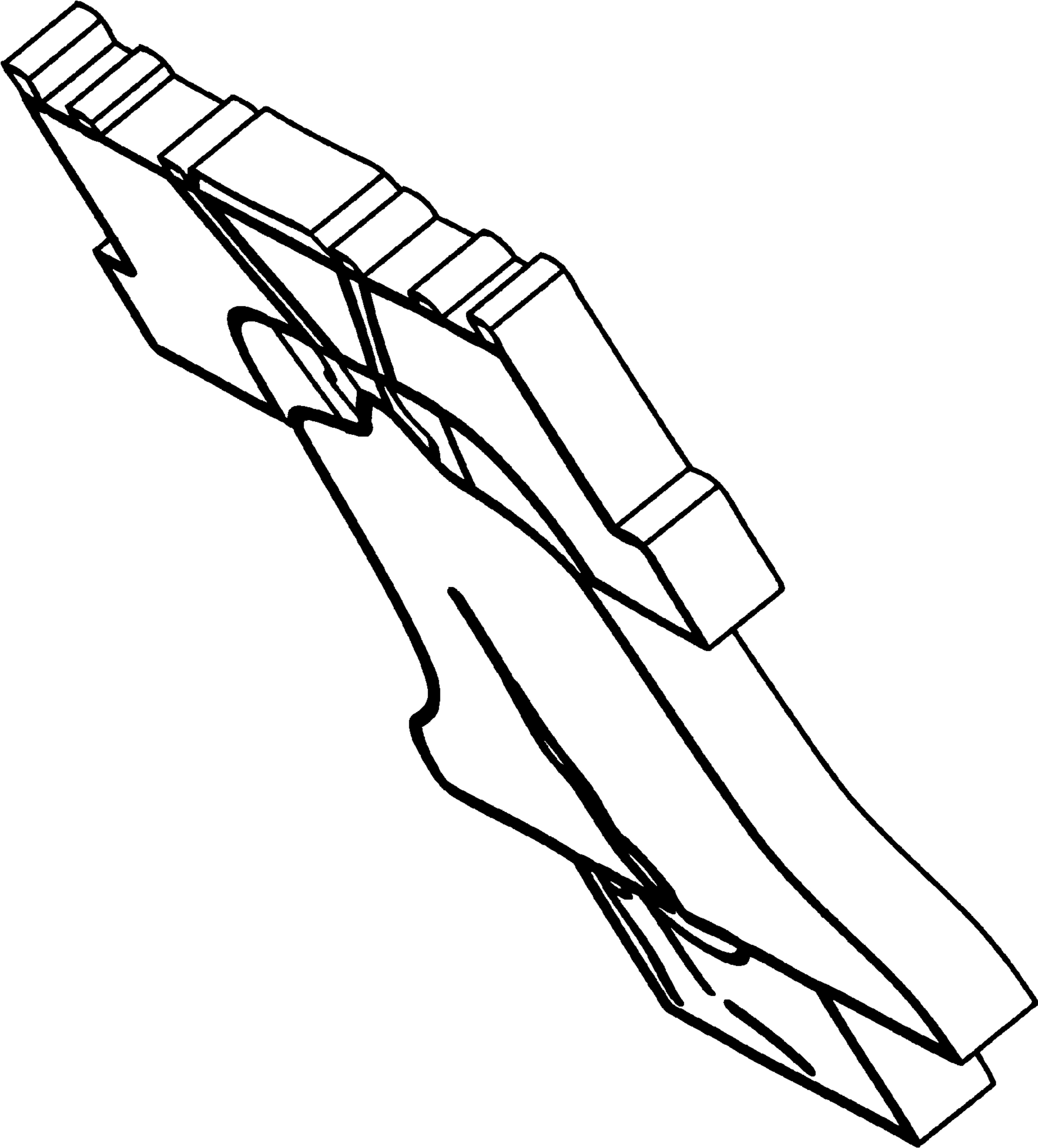


FIG. 8

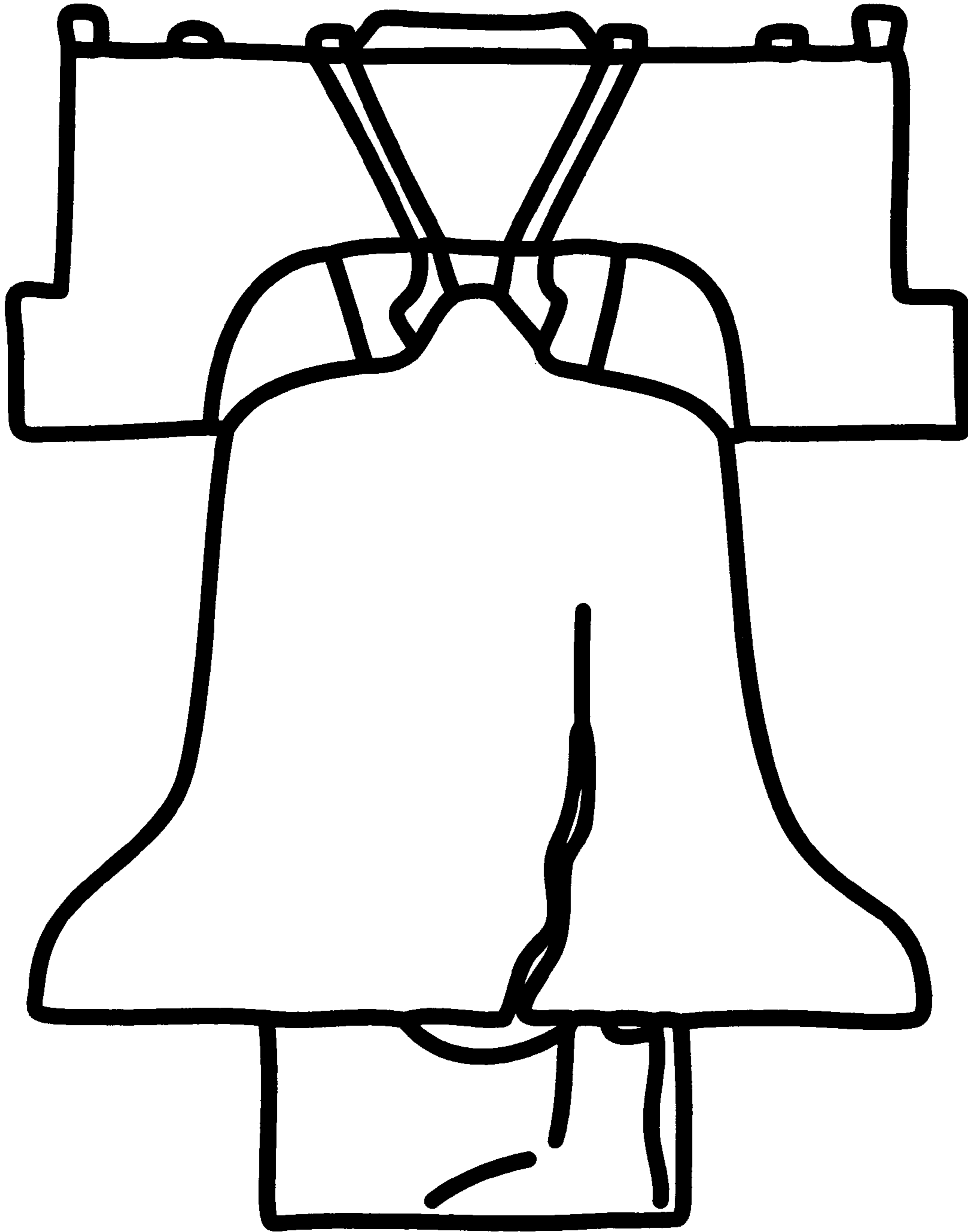


FIG. 9

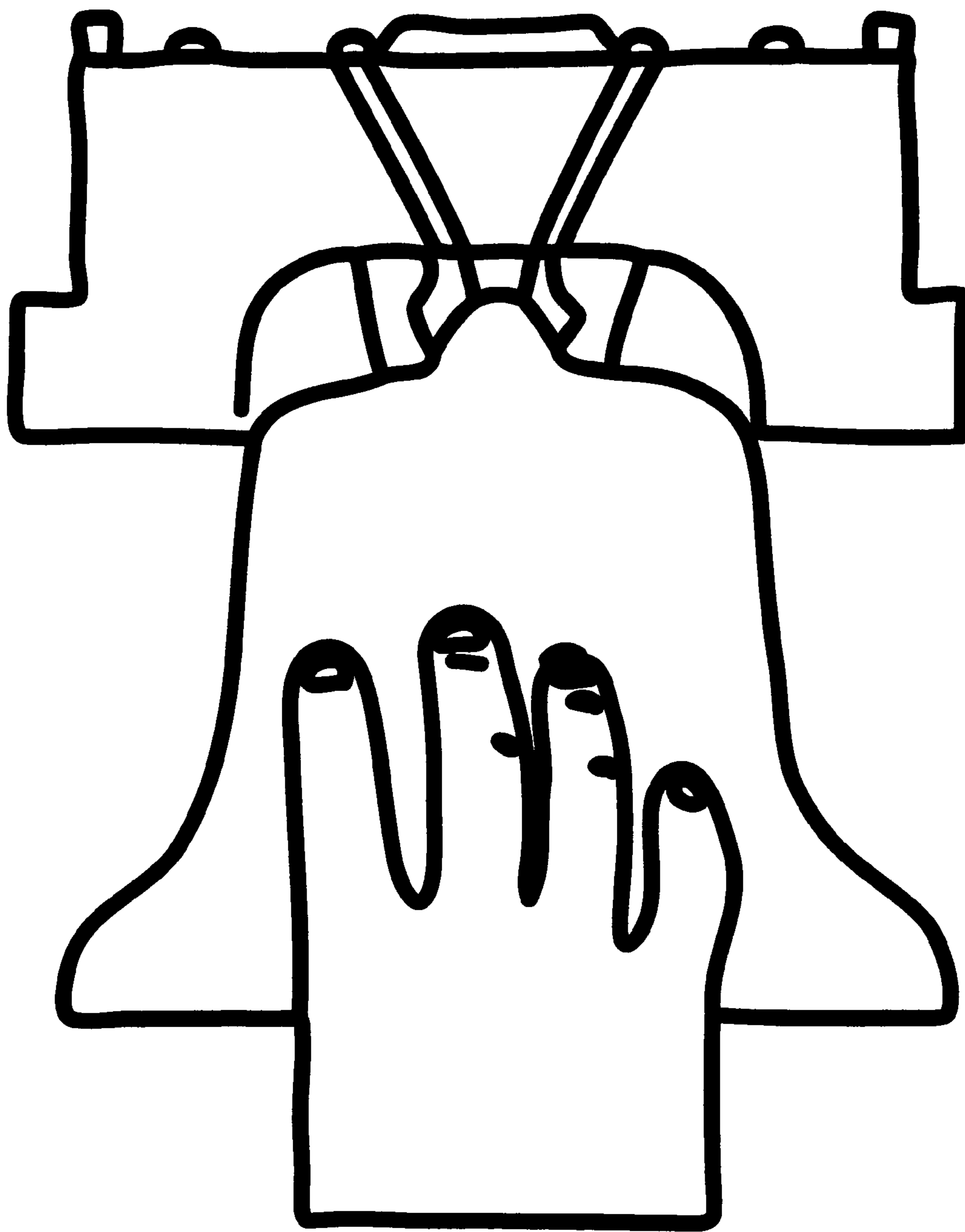


FIG. 10

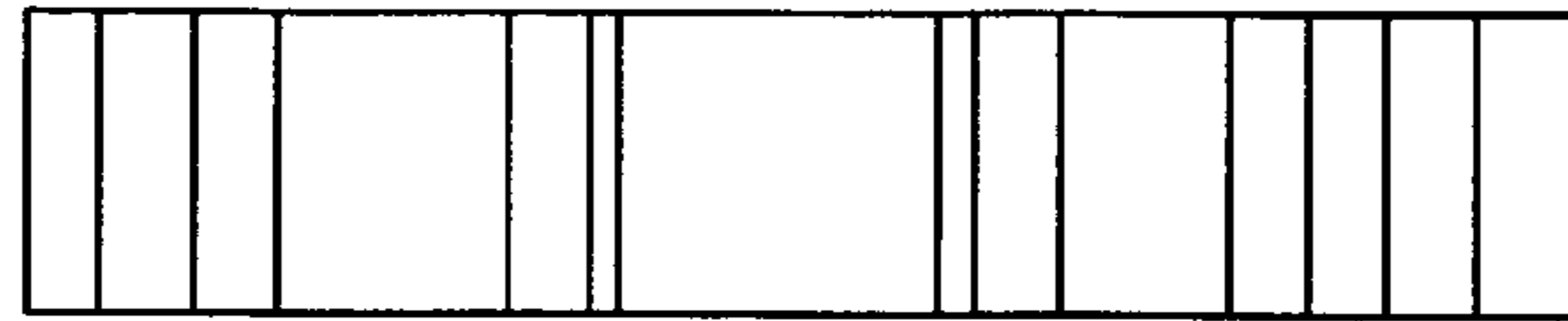


FIG. 12

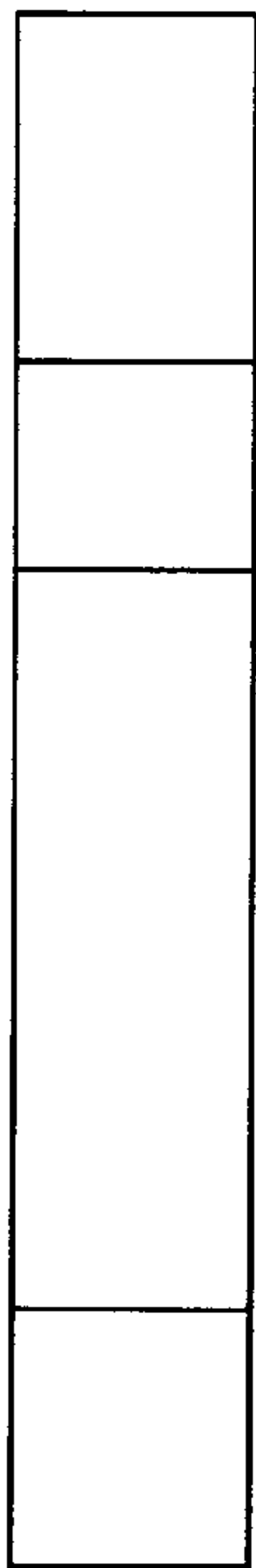


FIG. 11



FIG. 14

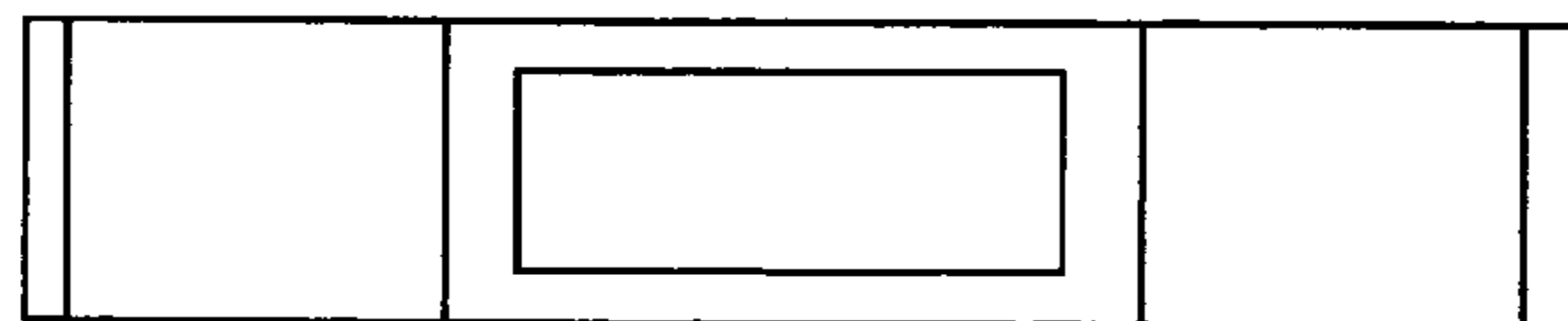


FIG. 13

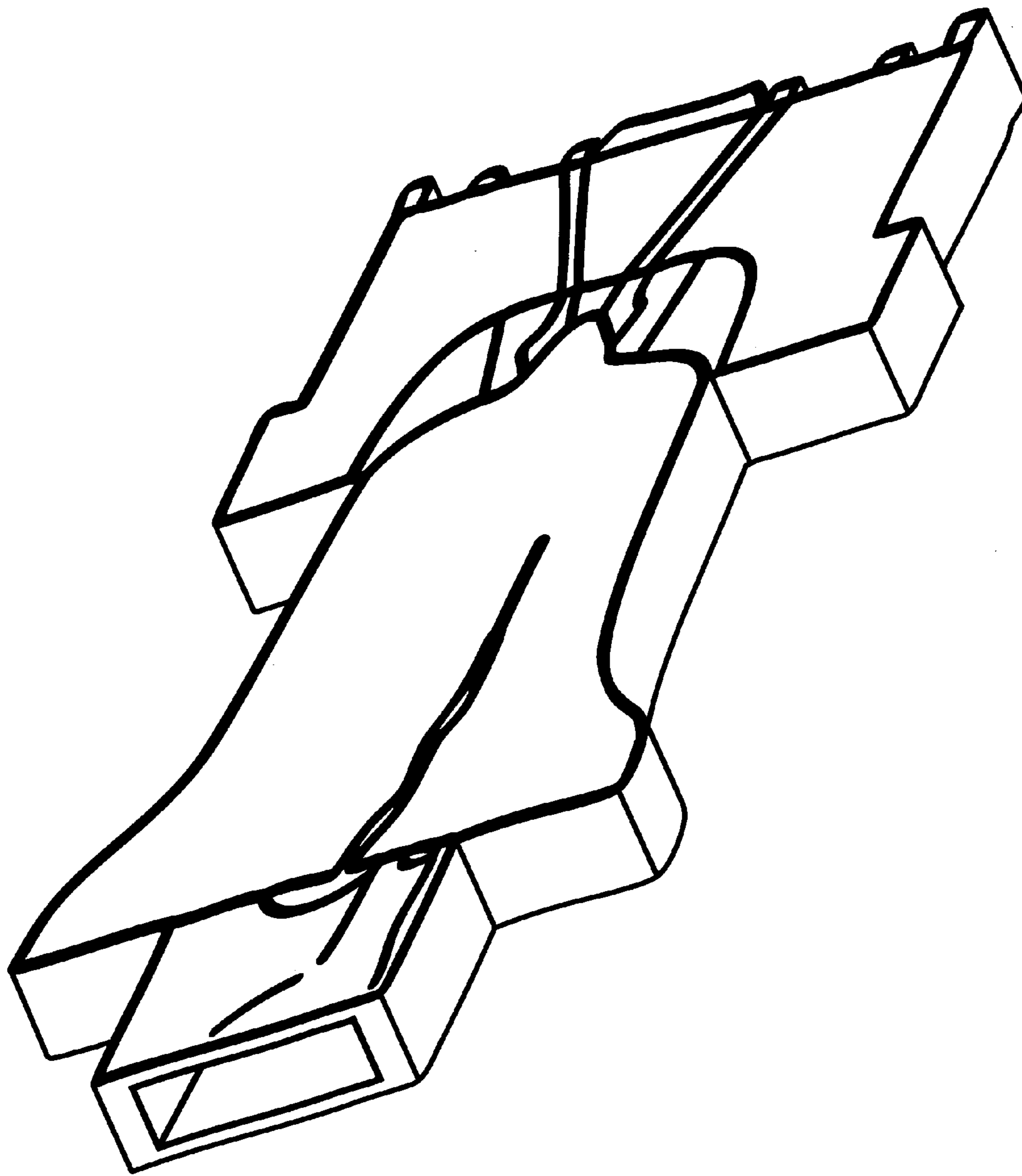


FIG. 15

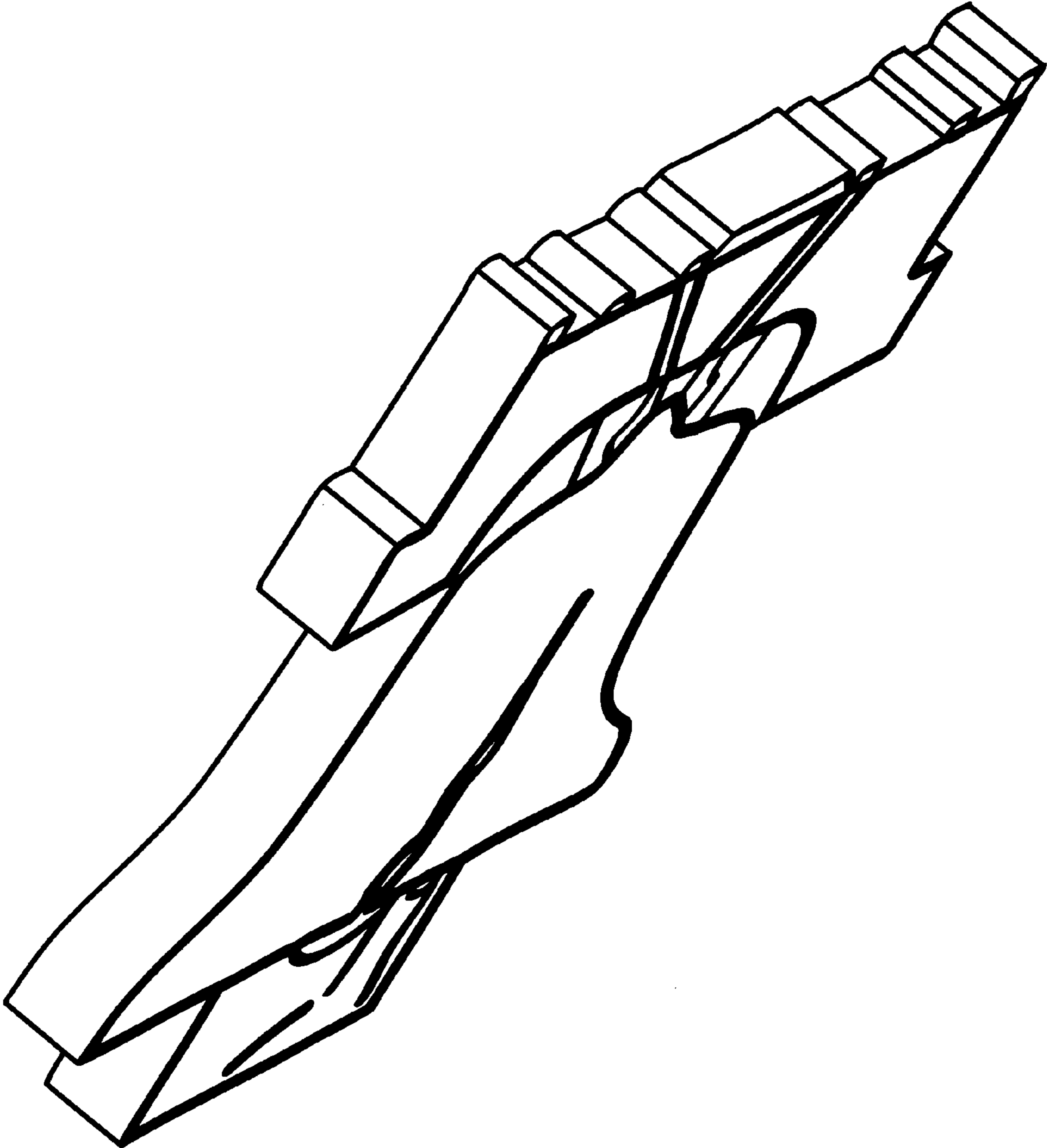


FIG. 16