

US00D664203S

(12) **United States Design Patent**
Genet et al.

(10) **Patent No.:** **US D664,203 S**

(45) **Date of Patent:** **** Jul. 24, 2012**

(54) **VENDING MACHINE**

(76) Inventors: **Russell Genet**, San Tan Valley, AZ (US);
Tim Wiese, Tempe, AZ (US)

(**) Term: **14 Years**

(21) Appl. No.: **29/391,941**

(22) Filed: **May 14, 2011**

(51) **LOC (9) Cl.** **20-01**

(52) **U.S. Cl.** **D20/3**

(58) **Field of Classification Search** D20/1-9,
D20/37, 99; 221/9, 10, 24, 69, 92, 155, 208,
221/226, 237; D6/450; D15/81

See application file for complete search history.

(56) **References Cited**

U.S. PATENT DOCUMENTS

641,917	A *	1/1900	Young et al.	62/331
1,897,072	A *	2/1933	Parks et al.	221/10
D350,987	S *	9/1994	Wright	D20/5
5,413,245	A *	5/1995	Wright	221/24
D373,690	S *	9/1996	Hartmann	D6/450
D376,157	S *	12/1996	Branz et al.	D15/81

D382,905	S *	8/1997	Antao et al.	D20/5
D410,035	S *	5/1999	Johnson et al.	D20/5
D420,367	S *	2/2000	Trulaske, Sr.	D15/81
D500,810	S *	1/2005	Osigwe et al.	D20/37
D629,462	S *	12/2010	Wiese et al.	D20/3

* cited by examiner

Primary Examiner — Mary Ann Calabrese

(74) *Attorney, Agent, or Firm* — Morgan Law Officer, PLC

(57) **CLAIM**

The ornamental design for the vending machine, as shown and described.

DESCRIPTION

FIG. 1 is a perspective view of a vending machine, showing our new design;

FIG. 2 is a front view thereof;

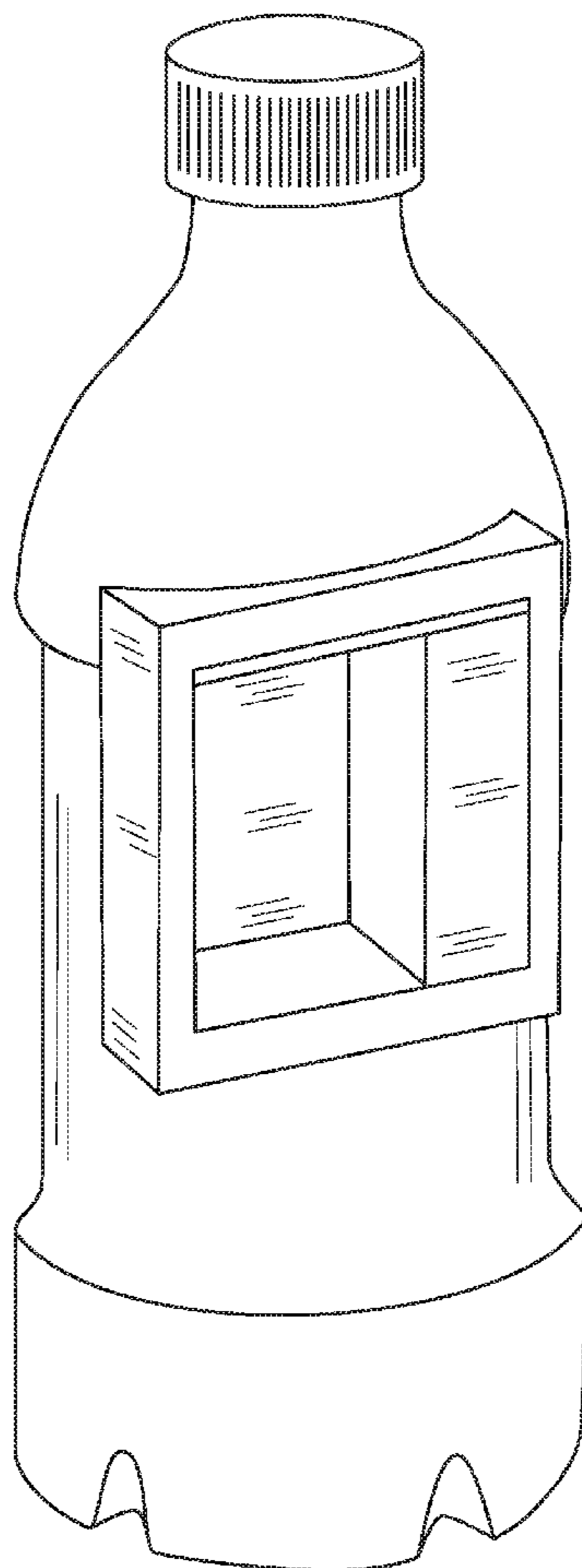
FIG. 3 is a rear view thereof;

FIG. 4 is a top plan view thereof;

FIG. 5 is a side view thereof, the opposite side being a mirror image; and,

FIG. 6 is a bottom plan view thereof.

1 Claim, 6 Drawing Sheets



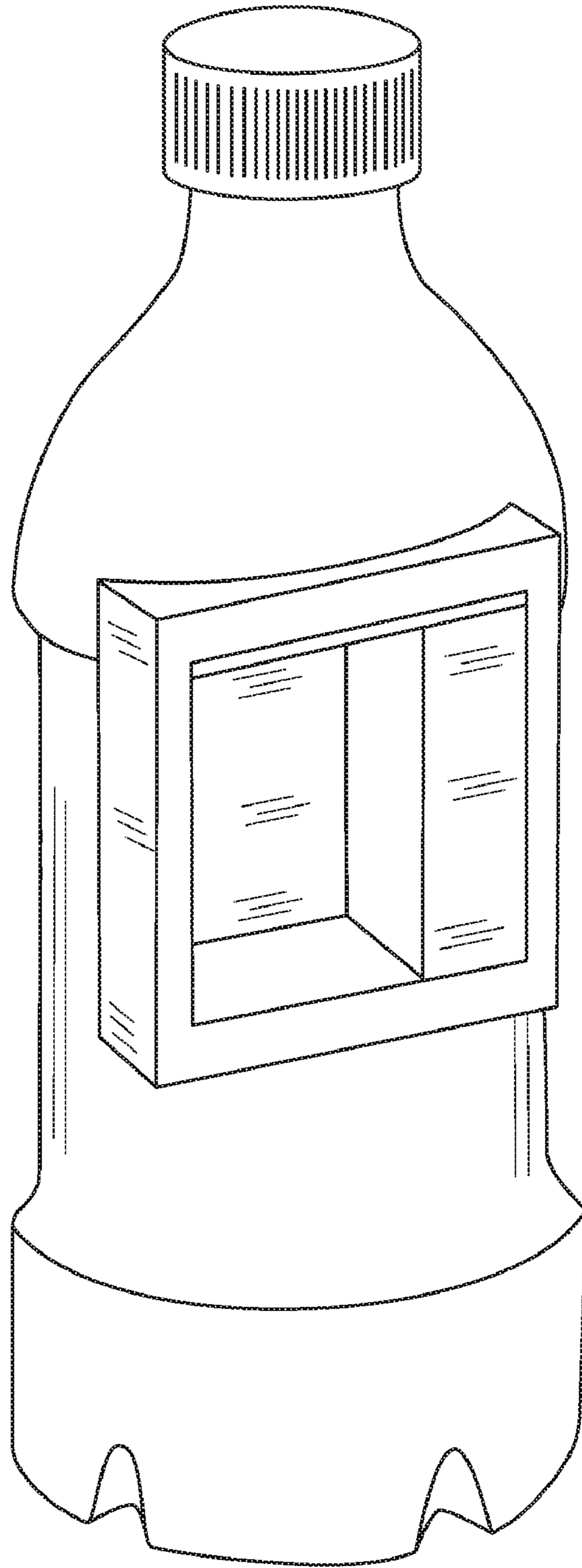


FIG. 1

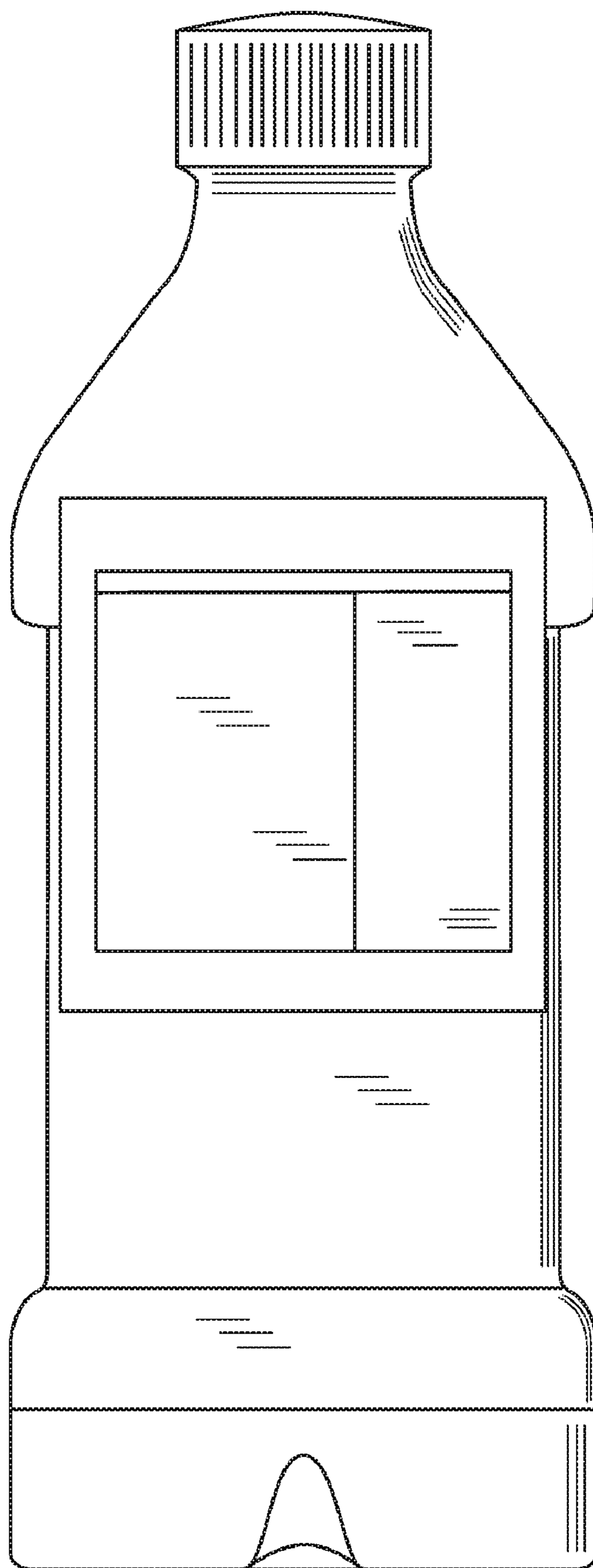


FIG. 2

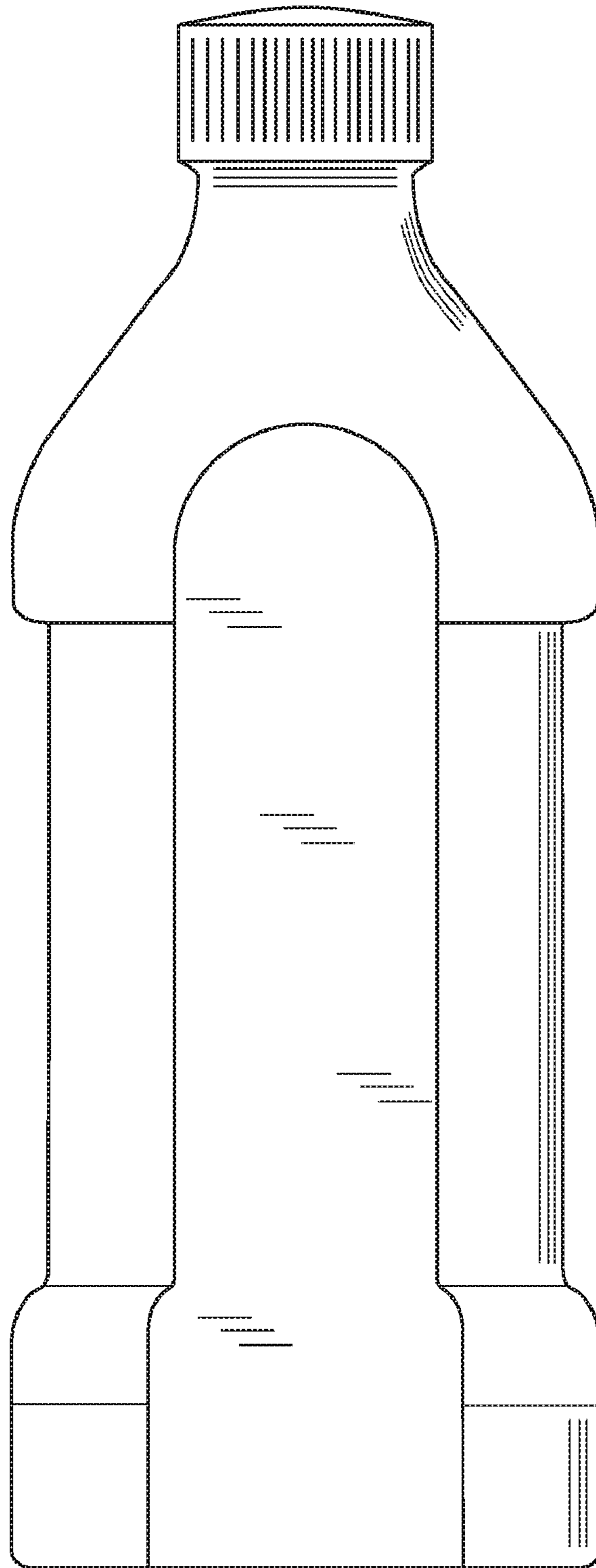


FIG. 3

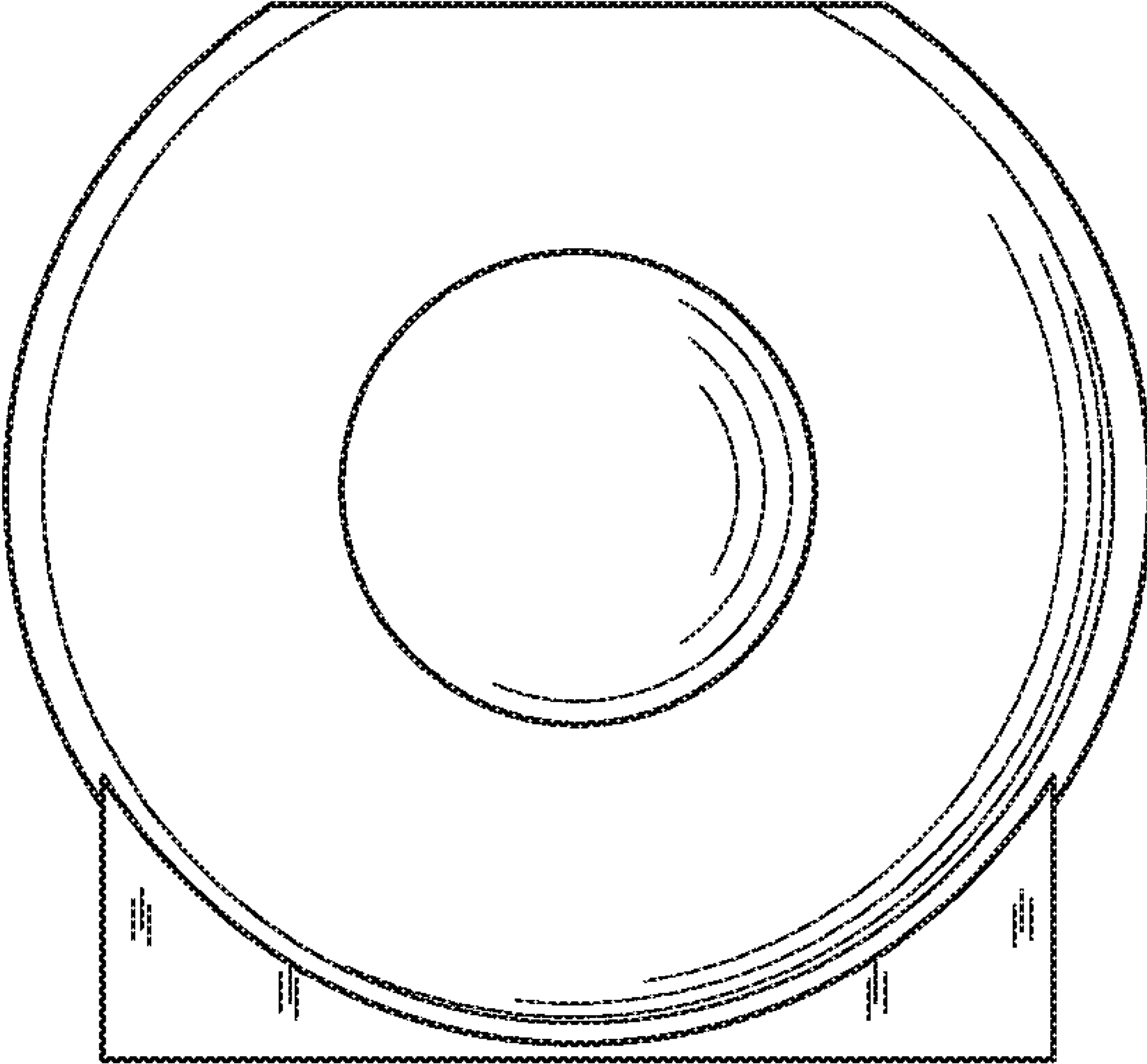


FIG. 4

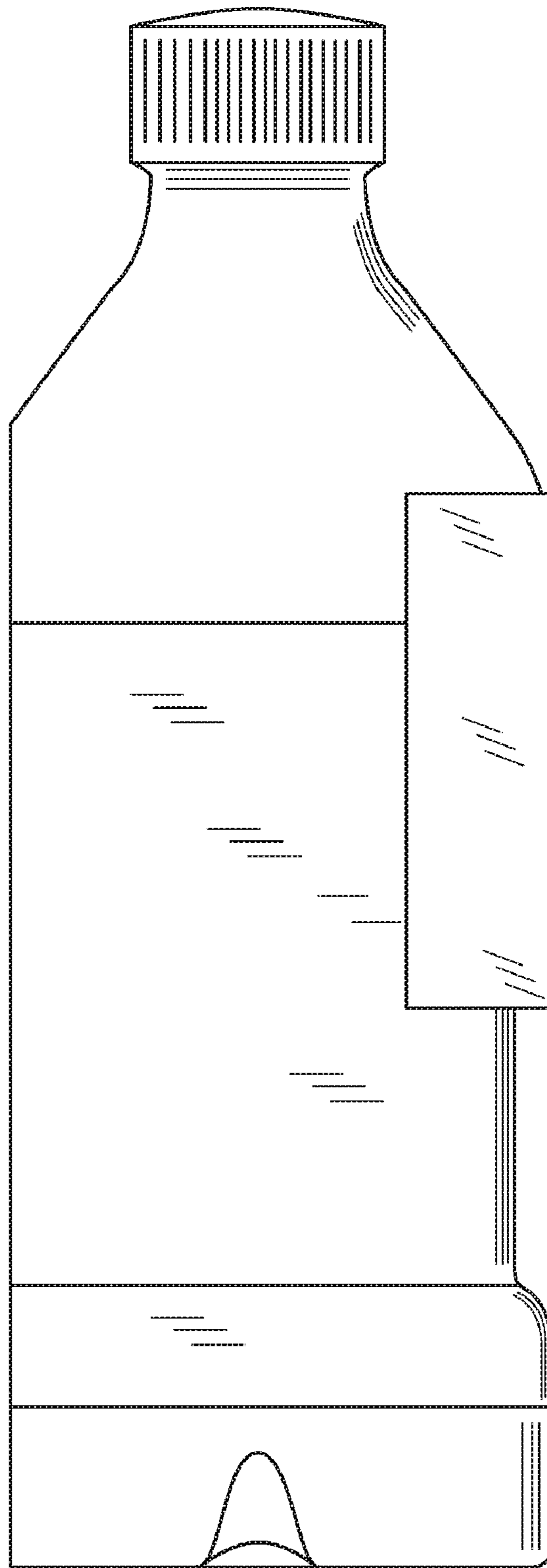


FIG. 5

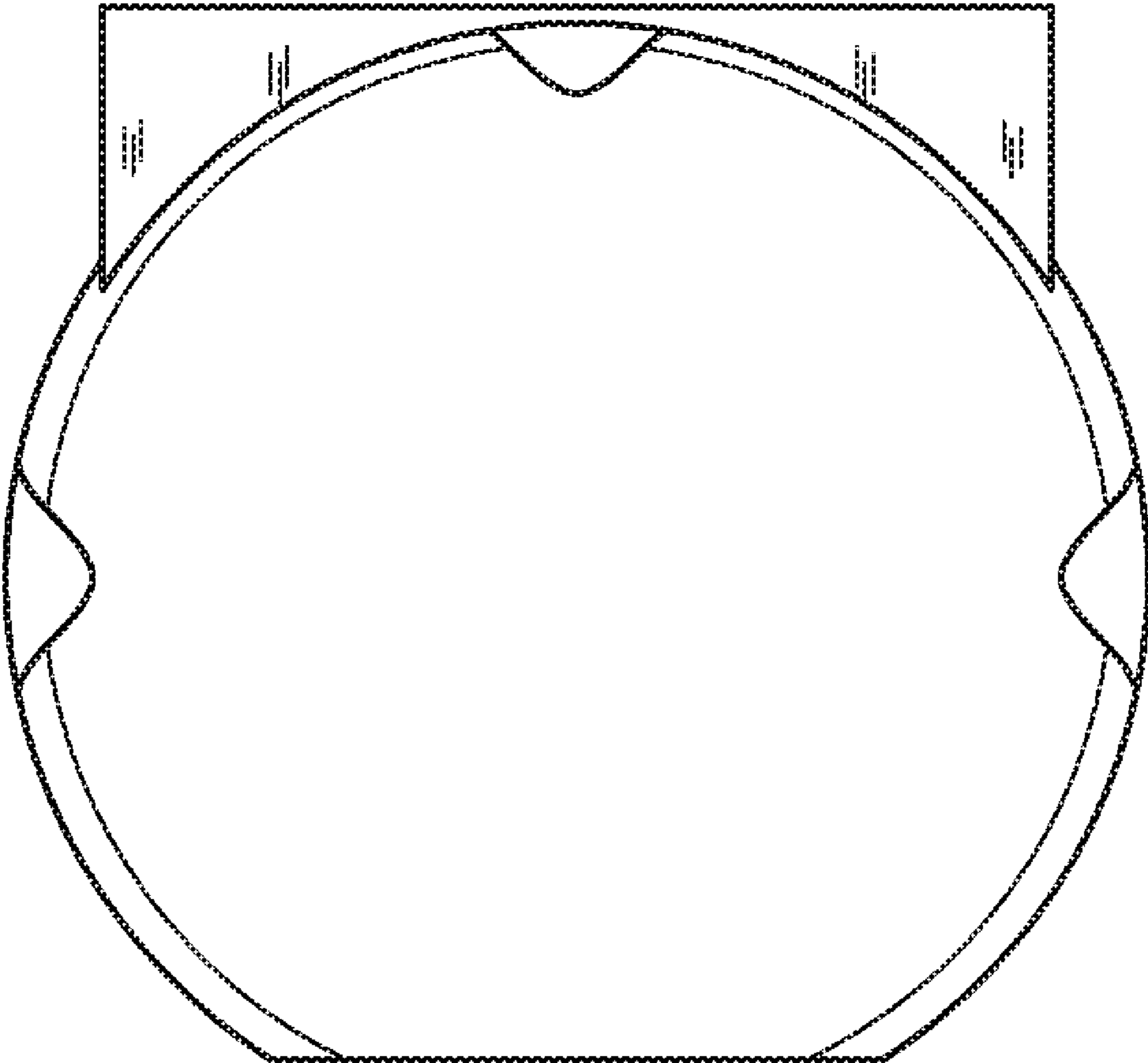


FIG. 6