

US00D664202S

(12) **United States Design Patent**
Shu

(10) **Patent No.:** **US D664,202 S**
(45) **Date of Patent:** **** Jul. 24, 2012**

(54) **PEN CONTAINER**

(75) Inventor: **Guojiang Shu**, Ningbo (CN)

(73) Assignee: **Beifa Group Co., Ltd.**, Ningbo (CN)

(**) Term: **14 Years**

(21) Appl. No.: **29/402,803**

(22) Filed: **Sep. 27, 2011**

(30) **Foreign Application Priority Data**

Mar. 28, 2011 (CN) 2011 3 0057312

(51) **LOC (9) Cl.** **19-06**

(52) **U.S. Cl.** **D19/85**

(58) **Field of Classification Search** D3/206;
D9/424, 549; D19/75, 77-85, 99, 100; D28/88,
D28/89, 90; 206/214, 224, 371; 211/69.1-69.9
See application file for complete search history.

(56) **References Cited**

U.S. PATENT DOCUMENTS

D283,592 S *	4/1986	Quarrell et al.	D6/512
D284,119 S *	6/1986	Holloway	D28/89
D289,722 S *	5/1987	Neiser	D7/624.1
D306,355 S	2/1990	Shinohara	
D324,332 S *	3/1992	Seifert et al.	D9/520
D325,594 S *	4/1992	Ditzig	D11/131
D330,512 S *	10/1992	Ryberg	D9/414
D462,997 S *	9/2002	Slater et al.	D19/85
D462,998 S *	9/2002	Slater et al.	D19/85
D470,532 S *	2/2003	Joss et al.	D19/85
D477,636 S *	7/2003	Chen	D19/85
D498,421 S *	11/2004	Kostow	D9/529
D516,916 S *	3/2006	Cornet et al.	D9/504
D530,607 S *	10/2006	Cornet et al.	D9/445
D538,480 S *	3/2007	Chen	D28/88

D541,990 S *	5/2007	Hsu	D28/89
D545,899 S	7/2007	Okutani	
D559,110 S *	1/2008	Marx et al.	D9/529
D563,223 S *	3/2008	Cornet et al.	D9/504
D564,706 S *	3/2008	Kadlubowski et al.	D28/76
D575,456 S *	8/2008	Kadlubowski et al.	D28/84
D614,961 S *	5/2010	Thomas et al.	D9/529
D615,412 S *	5/2010	Thomas et al.	D9/529
D646,583 S *	10/2011	Mongeon et al.	D9/689

OTHER PUBLICATIONS

Chen, B., "Marker," U.S. Appl. No. 29/384,492, filed Jan. 31, 2011.
Liu, D., "Marker," U.S. Appl. No. 29/394,219, filed Jun. 14, 2011.

* cited by examiner

Primary Examiner — Elizabeth Albert

(74) *Attorney, Agent, or Firm* — Christensen O'Connor Johnson Kindness PLLC

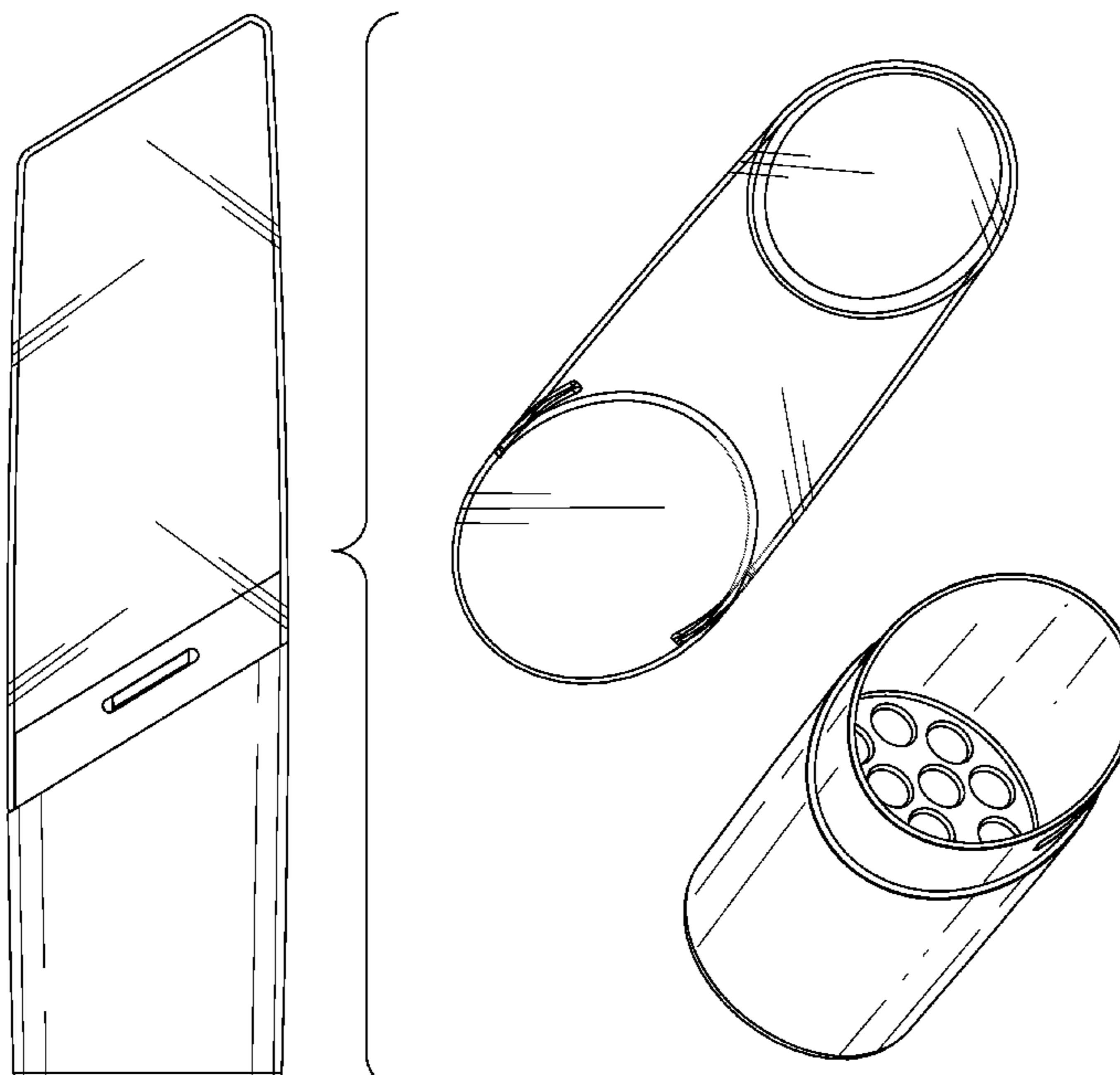
(57) **CLAIM**

The ornamental design for a pen container, as shown and described.

DESCRIPTION

FIG. 1 is a front elevation view of a pen container showing my new design;
FIG. 2 is a rear elevation view thereof;
FIG. 3 is a right side elevation view thereof, with the left side elevation view being a mirror image of the right side elevation view;
FIG. 4 is a top plan view thereof;
FIG. 5 is a bottom plan view thereof;
FIG. 6 is an upper front perspective view thereof; and,
FIG. 7 is an upper front exploded perspective view thereof.
The broken lines shown in FIG. 5 illustrate environmental subject matter and form no part of the claimed design.

1 Claim, 6 Drawing Sheets



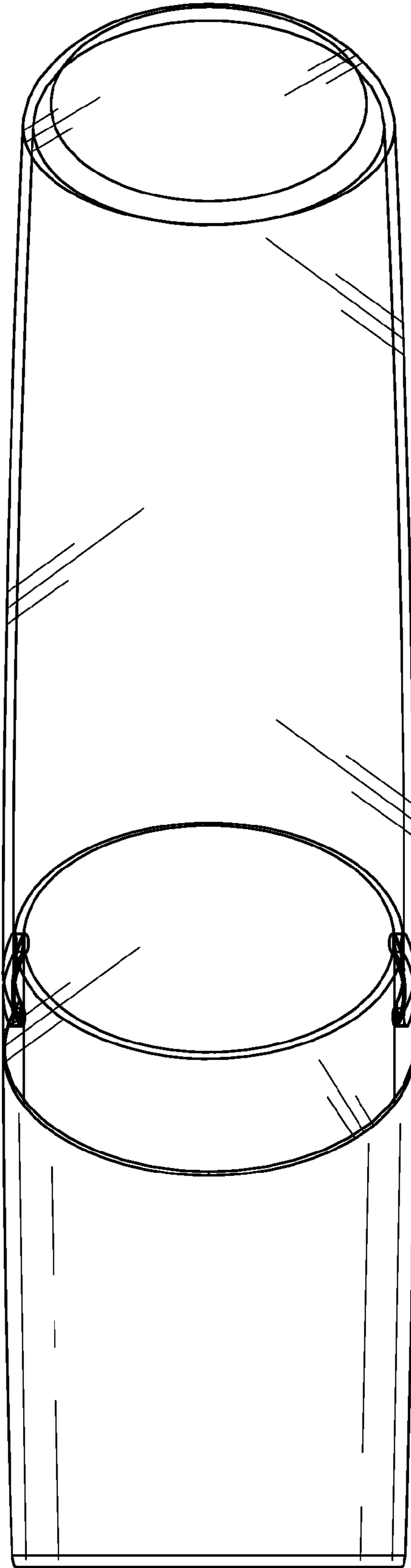


Fig. 1.

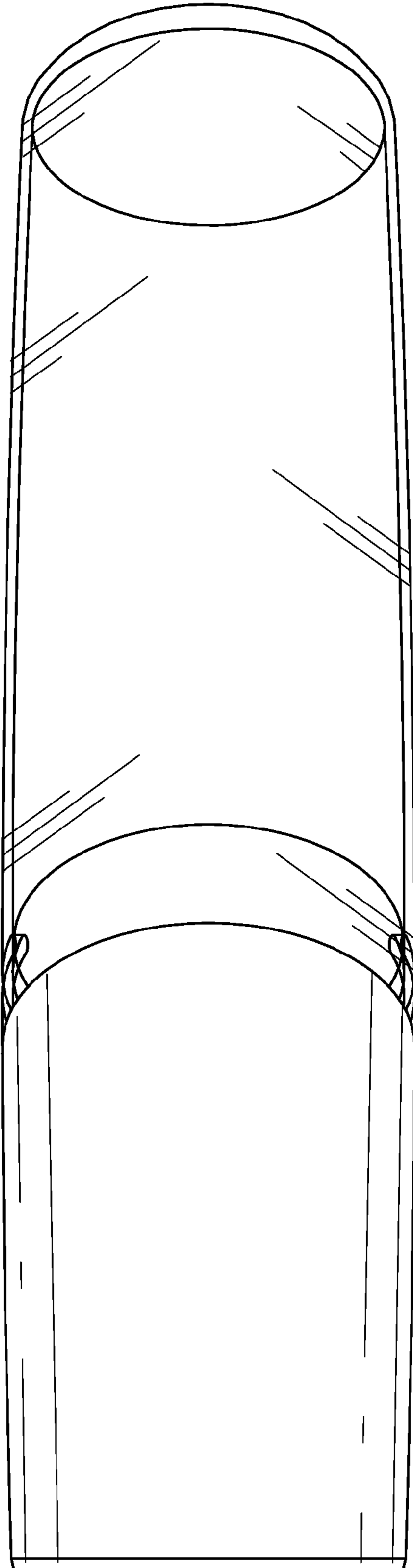


Fig.2.

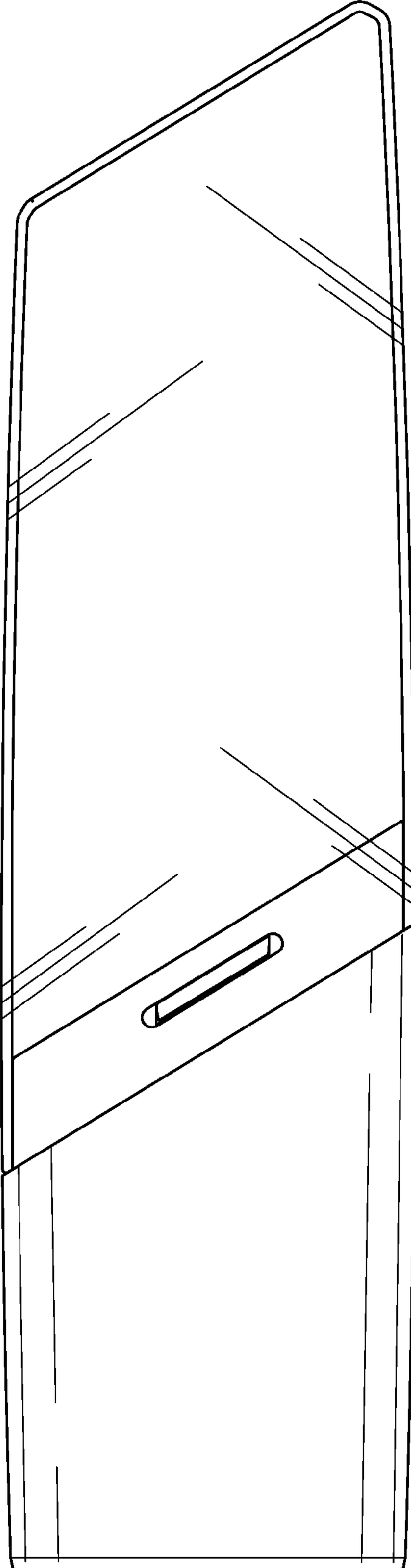


Fig. 3.

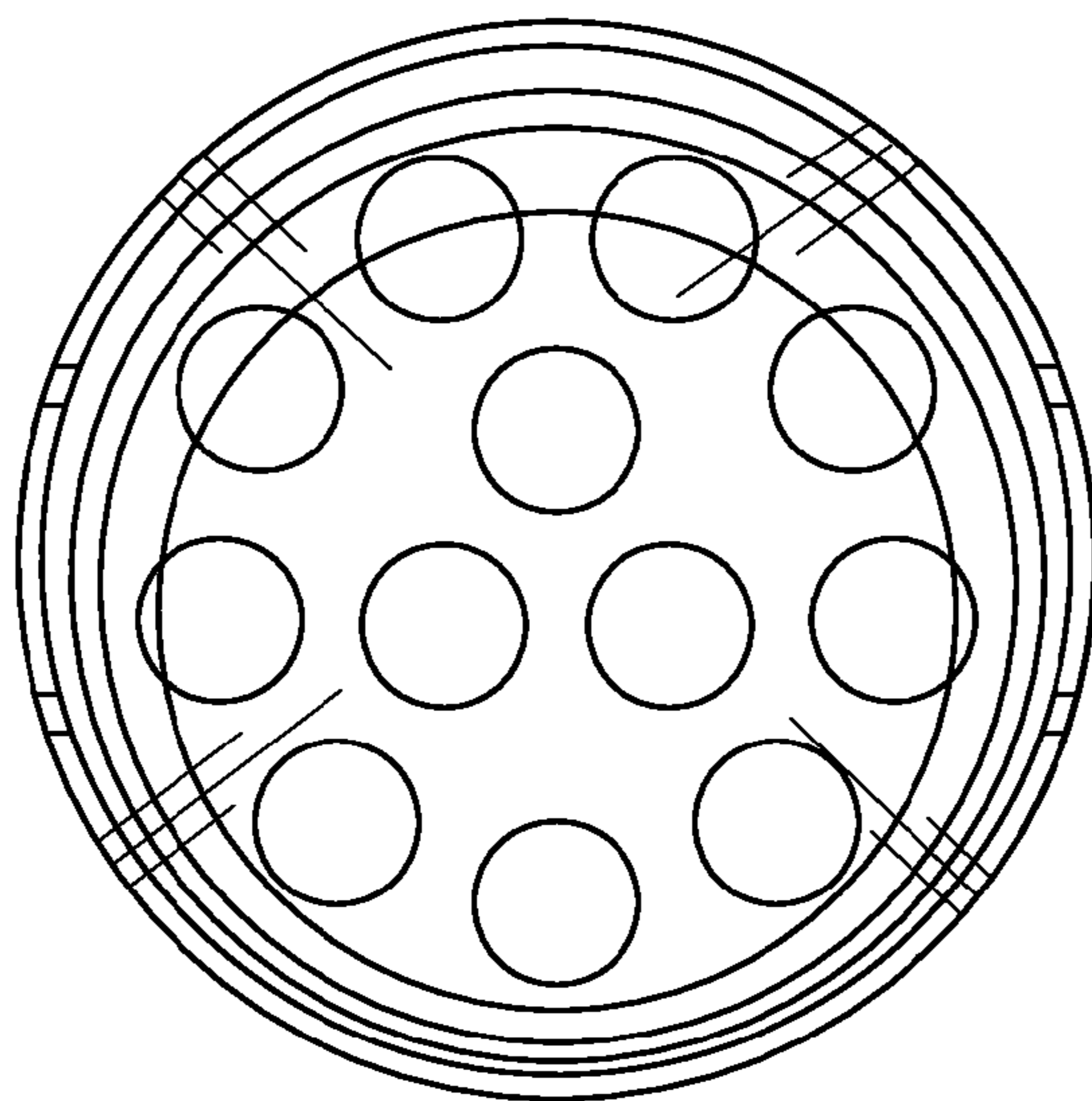


Fig. 4.

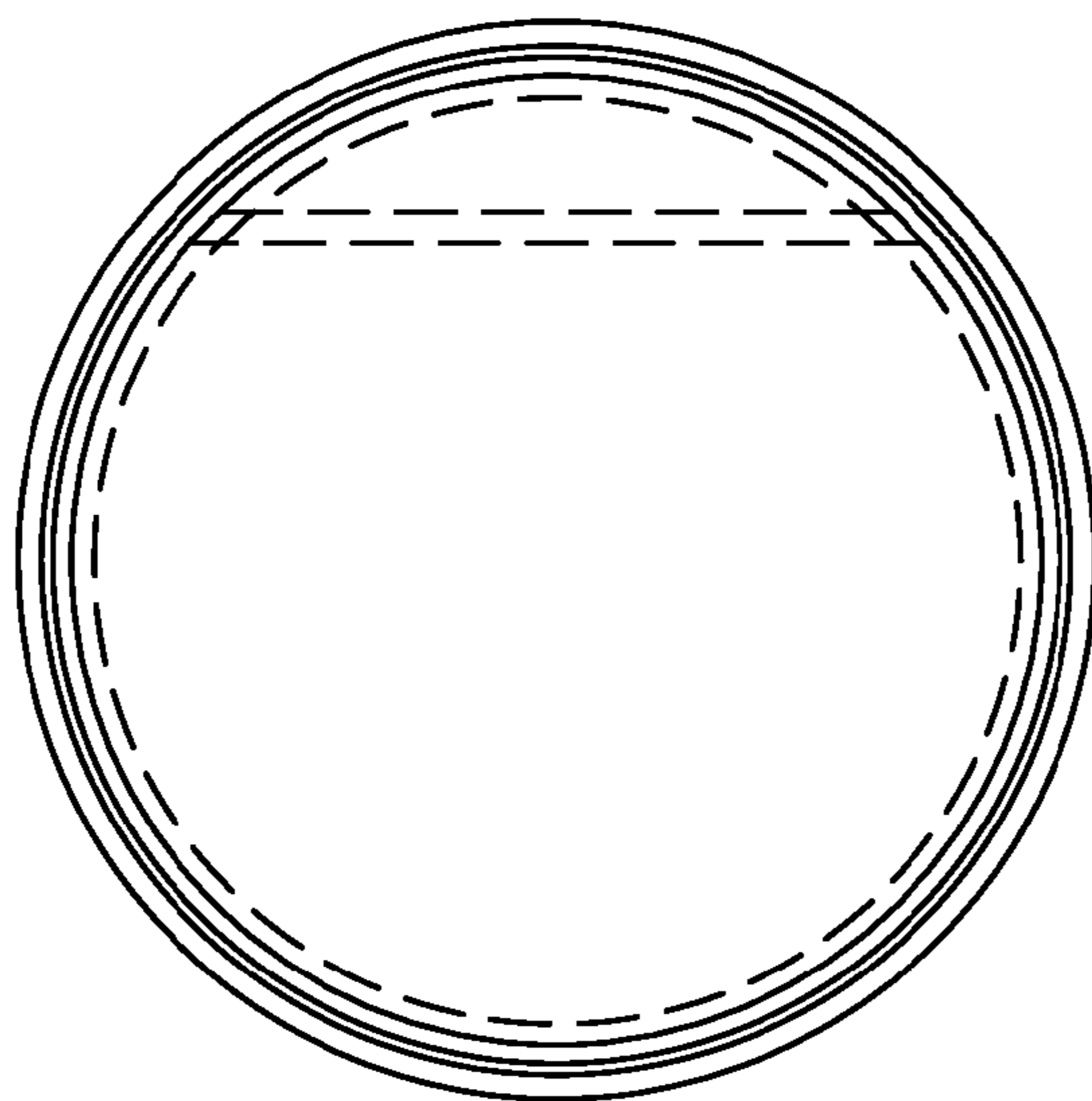


Fig. 5.

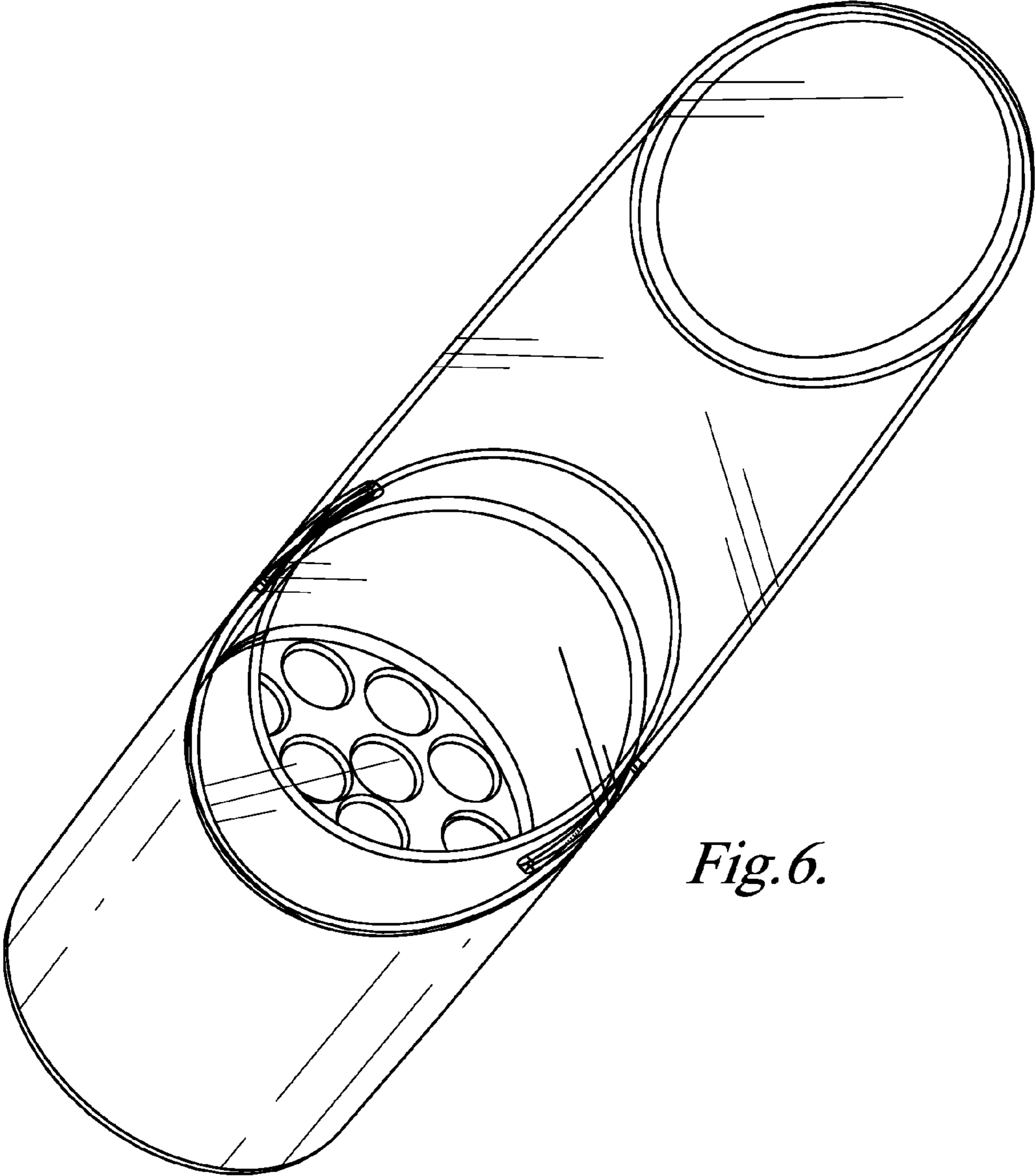


Fig. 6.

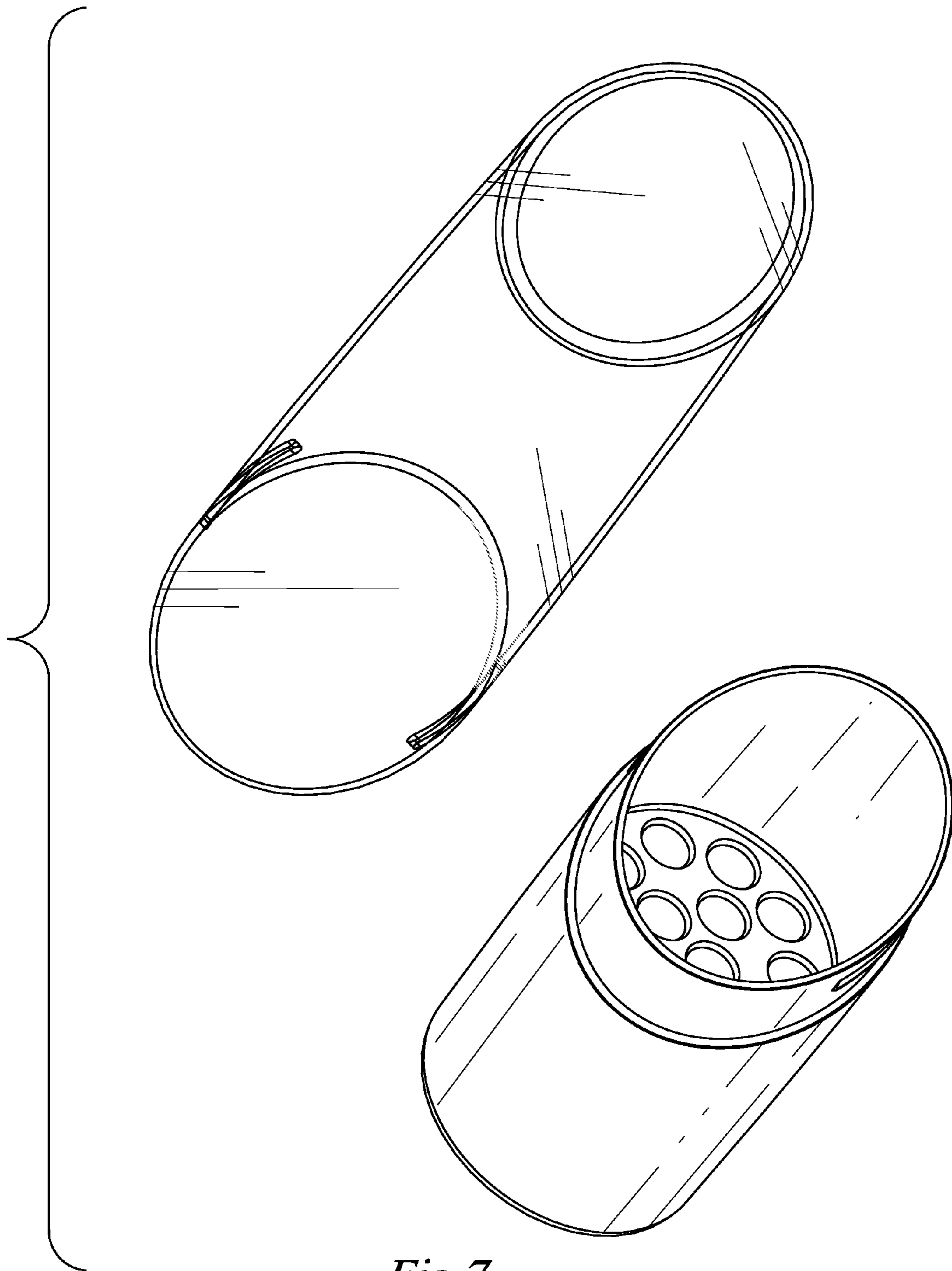


Fig. 7.