



US00D664201S

(12) **United States Design Patent**
Packard et al.

(10) **Patent No.:** **US D664,201 S**

(45) **Date of Patent:** **** Jul. 24, 2012**

(54) **TAPE DISPENSER**

(75) Inventors: **Joy A. Packard**, Hudson, WI (US);
Shaelyn D. Crutchley, St. Paul, MN
(US); **Martin E. Broen**, Milan (IT)

(73) Assignee: **3M Innovative Properties Company**,
St. Paul, MN (US)

(**) Term: **14 Years**

(21) Appl. No.: **29/401,312**

(22) Filed: **Sep. 9, 2011**

(51) **LOC (9) Cl.** **08-02**

(52) **U.S. Cl.** **D19/69**

(58) **Field of Classification Search** D19/36,
D19/70, 69, 68; D13/133, 146; 242/588.6,
242/588.3, 588.2; 225/77, 6, 56, 69, 26,
225/25, 19, 11; 206/411; 156/577, 527,
156/523

See application file for complete search history.

(56) **References Cited**

U.S. PATENT DOCUMENTS

D259,643	S	*	6/1981	Pearson	D19/69
4,961,525	A	*	10/1990	Corbo et al.	225/65
D362,684	S	*	9/1995	Samuelson et al.	D19/69
5,468,332	A	*	11/1995	Dretzka et al.	156/527
D442,227	S	*	5/2001	Carlson et al.	D19/69
D448,413	S	*	9/2001	Carlson et al.	D19/69
6,669,070	B2	*	12/2003	Huang	225/56

D529,093	S	*	9/2006	Gullicks et al.	D19/69
D533,905	S	*	12/2006	Gullicks et al.	D19/69
D568,400	S	*	5/2008	Packard et al.	D19/69
D588,646	S	*	3/2009	Vulpitta	D19/69
D591,354	S	*	4/2009	Vulpitta	D19/69
D646,330	S	*	10/2011	Chen	D19/69
2010/0084450	A1		4/2010	Vulpitta		

* cited by examiner

Primary Examiner — Austin Murphy

(74) *Attorney, Agent, or Firm* — Lisa P. Fulton

(57) **CLAIM**

The ornamental design for a tape dispenser, as shown and described.

DESCRIPTION

FIG. 1 is a perspective view of a tape dispenser showing the new design;

FIG. 2 is a side view, the opposite side being a mirror image thereof;

FIG. 3 is a top view thereof;

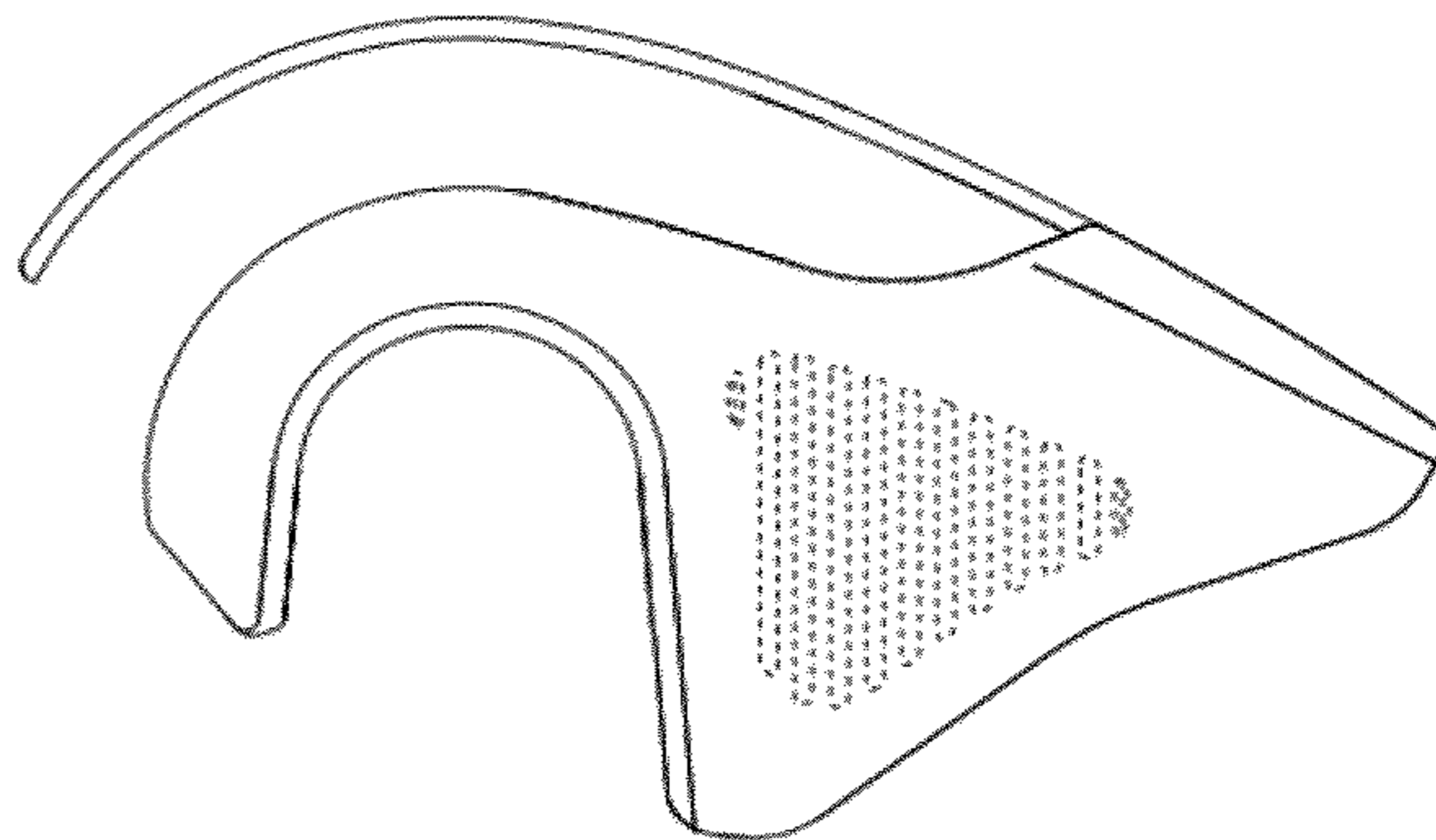
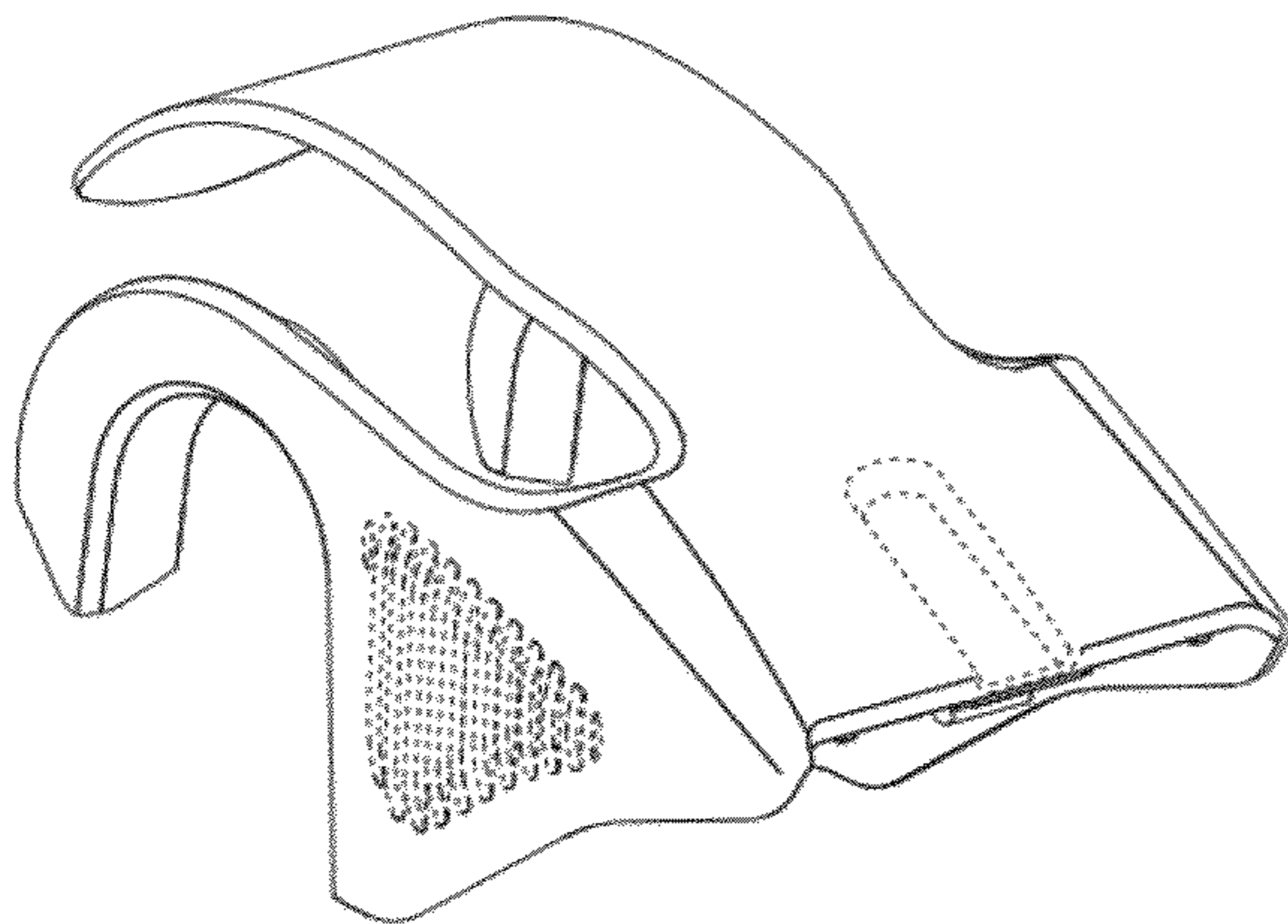
FIG. 4 is a bottom view thereof;

FIG. 5 is a front view thereof; and,

FIG. 6 is a rear view thereof.

The broken lines showing a cutting blade and features on the top and sides of the tape dispenser form no part of the claimed design.

1 Claim, 2 Drawing Sheets



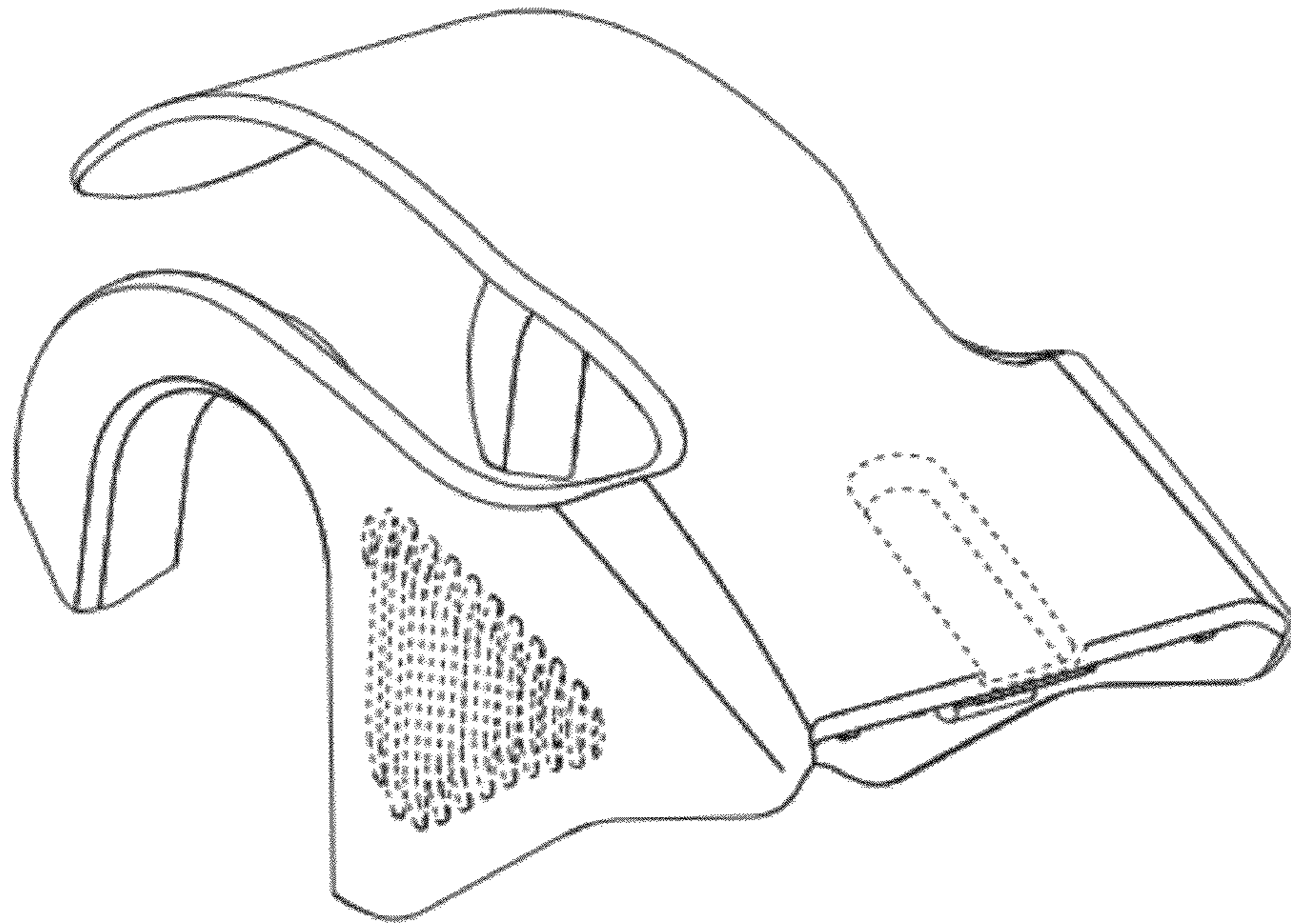


Fig. 1

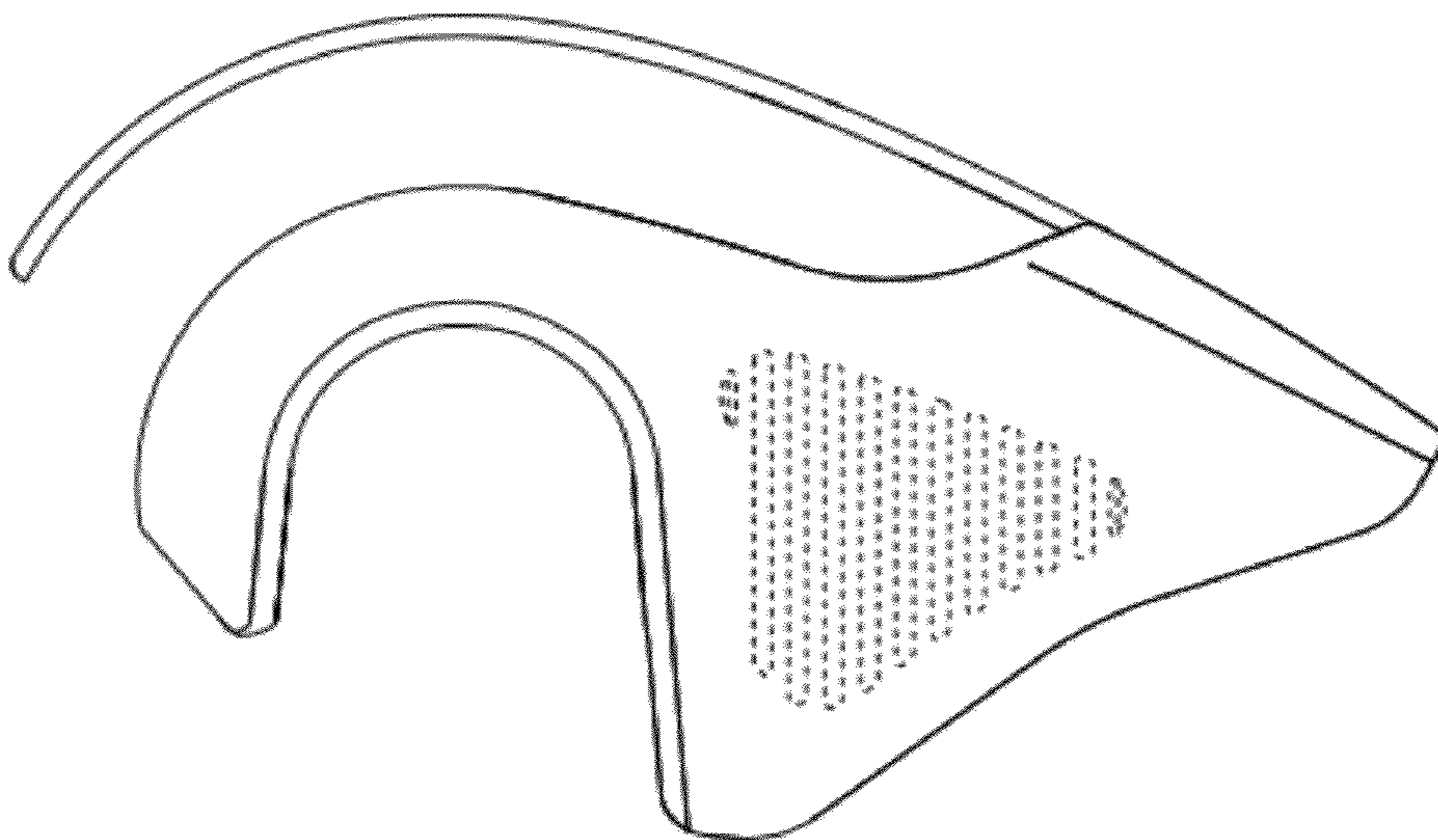


Fig. 2

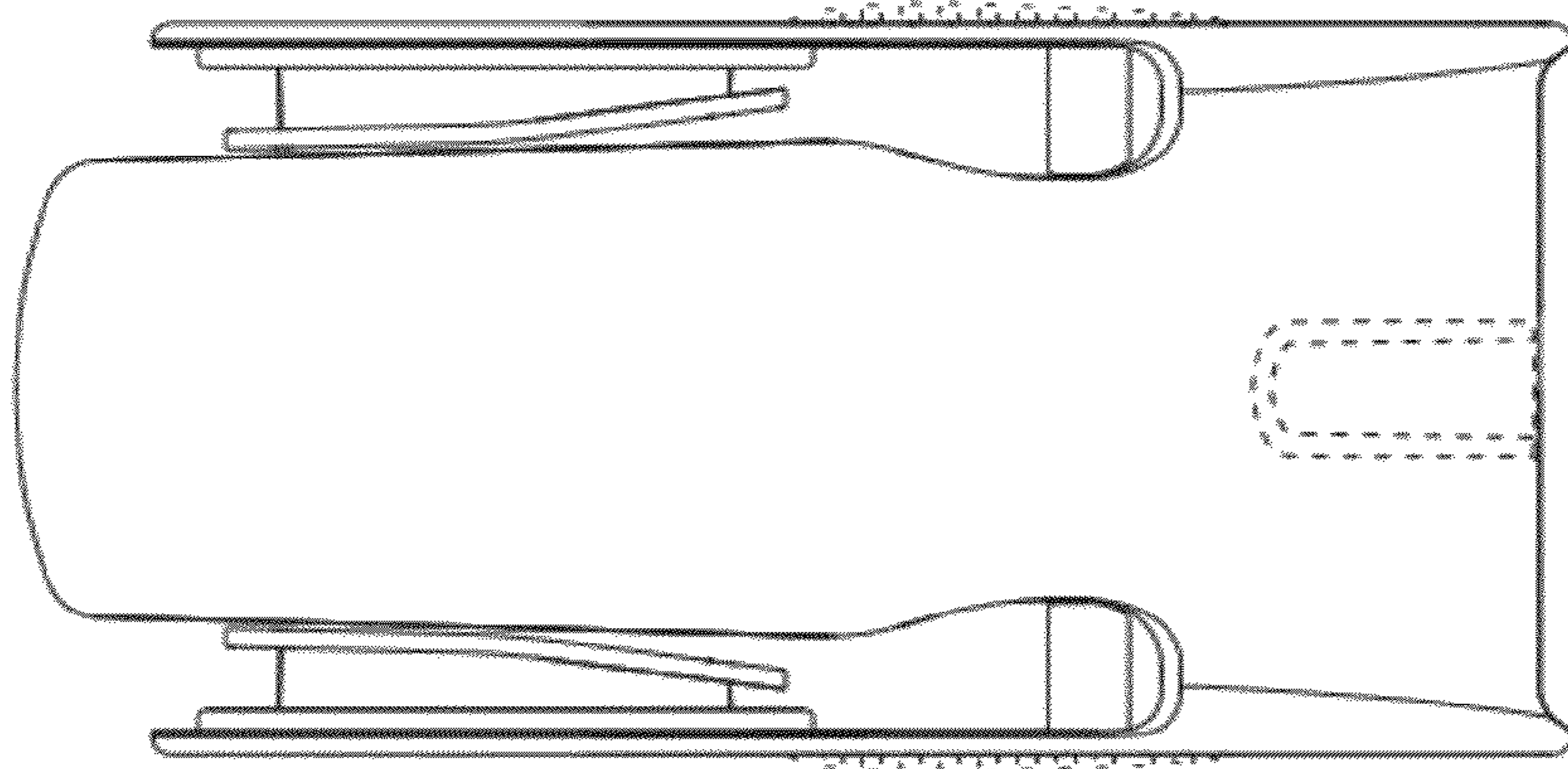


Fig. 3

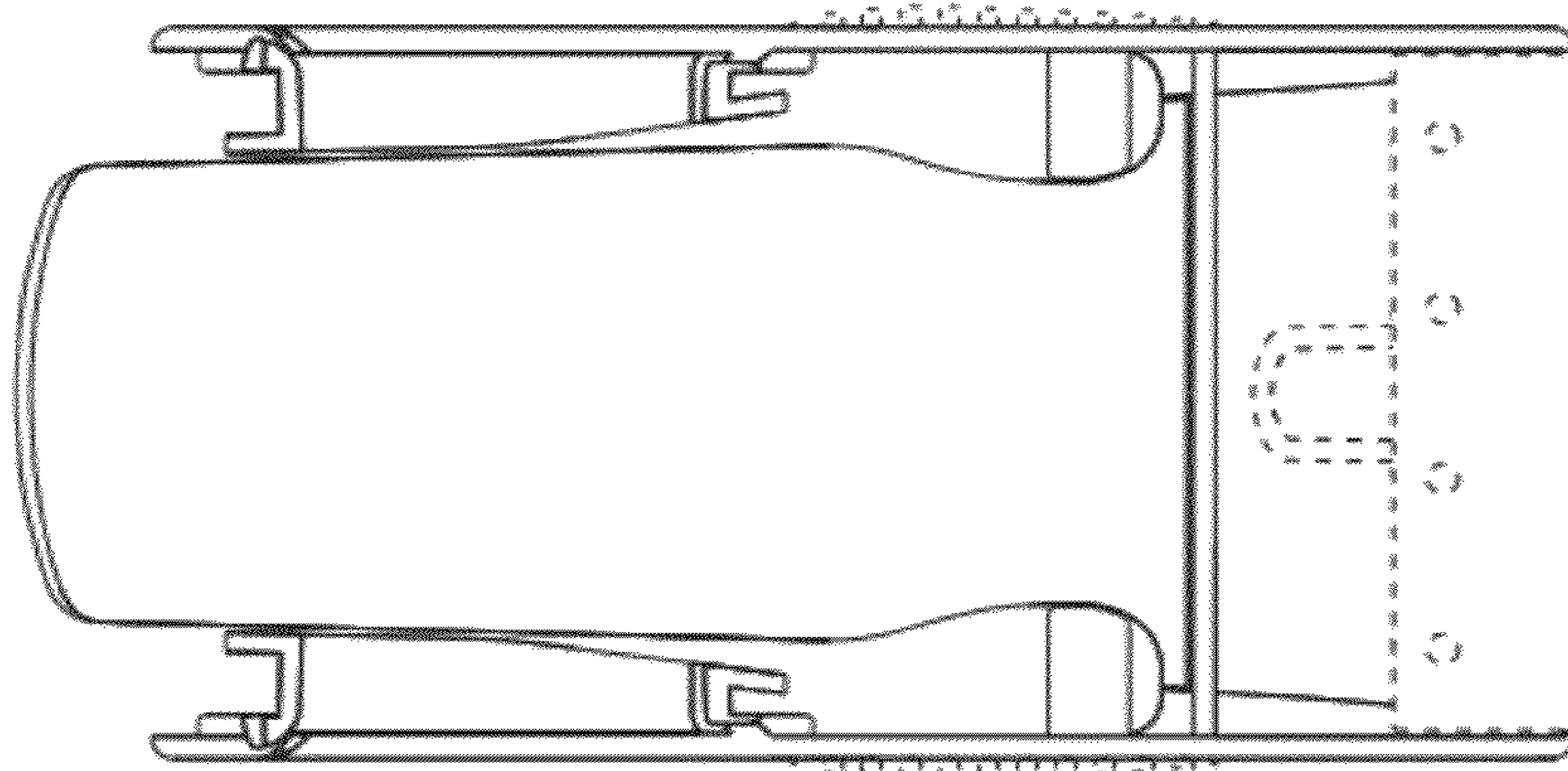


Fig. 4

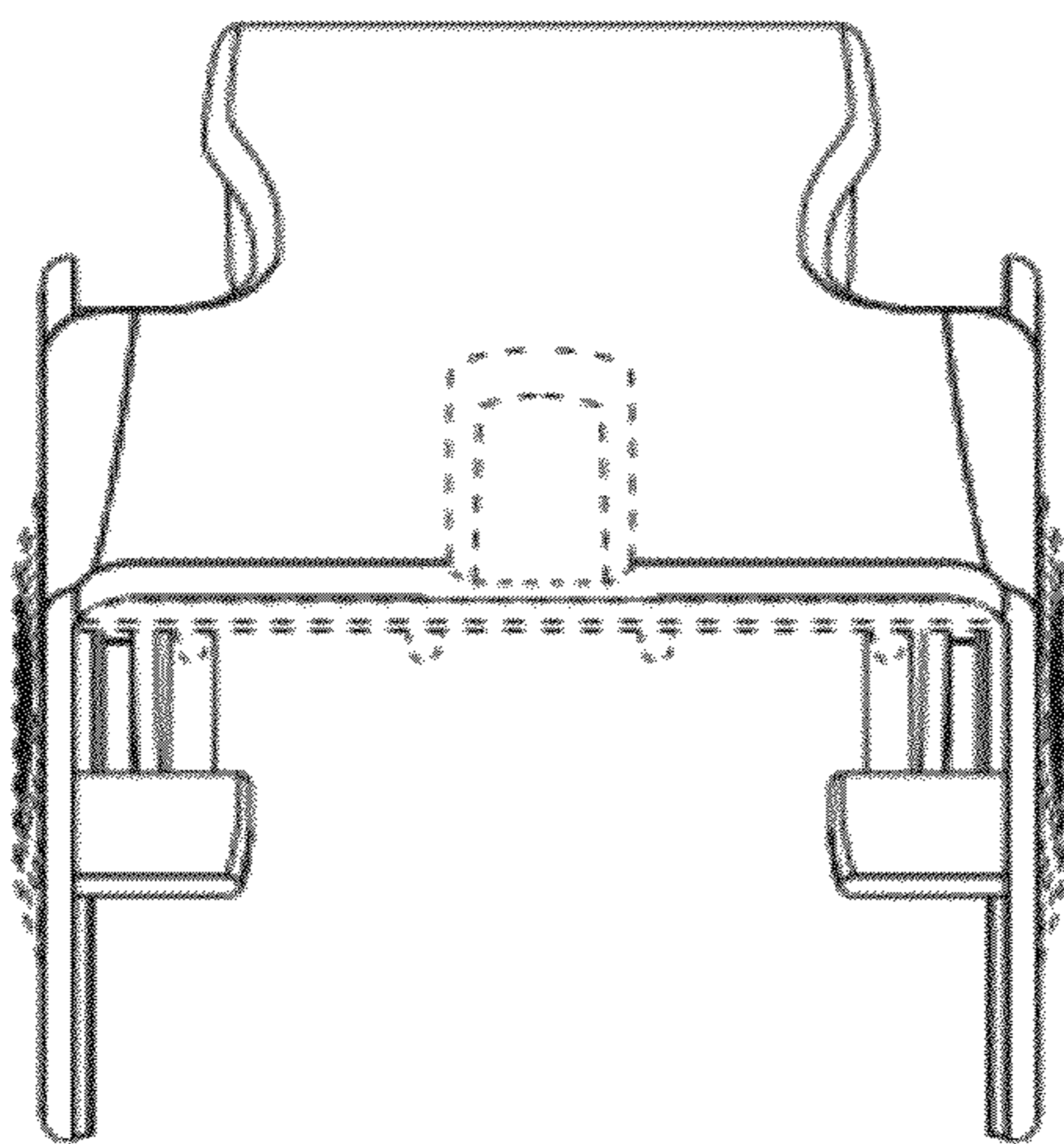


Fig. 5

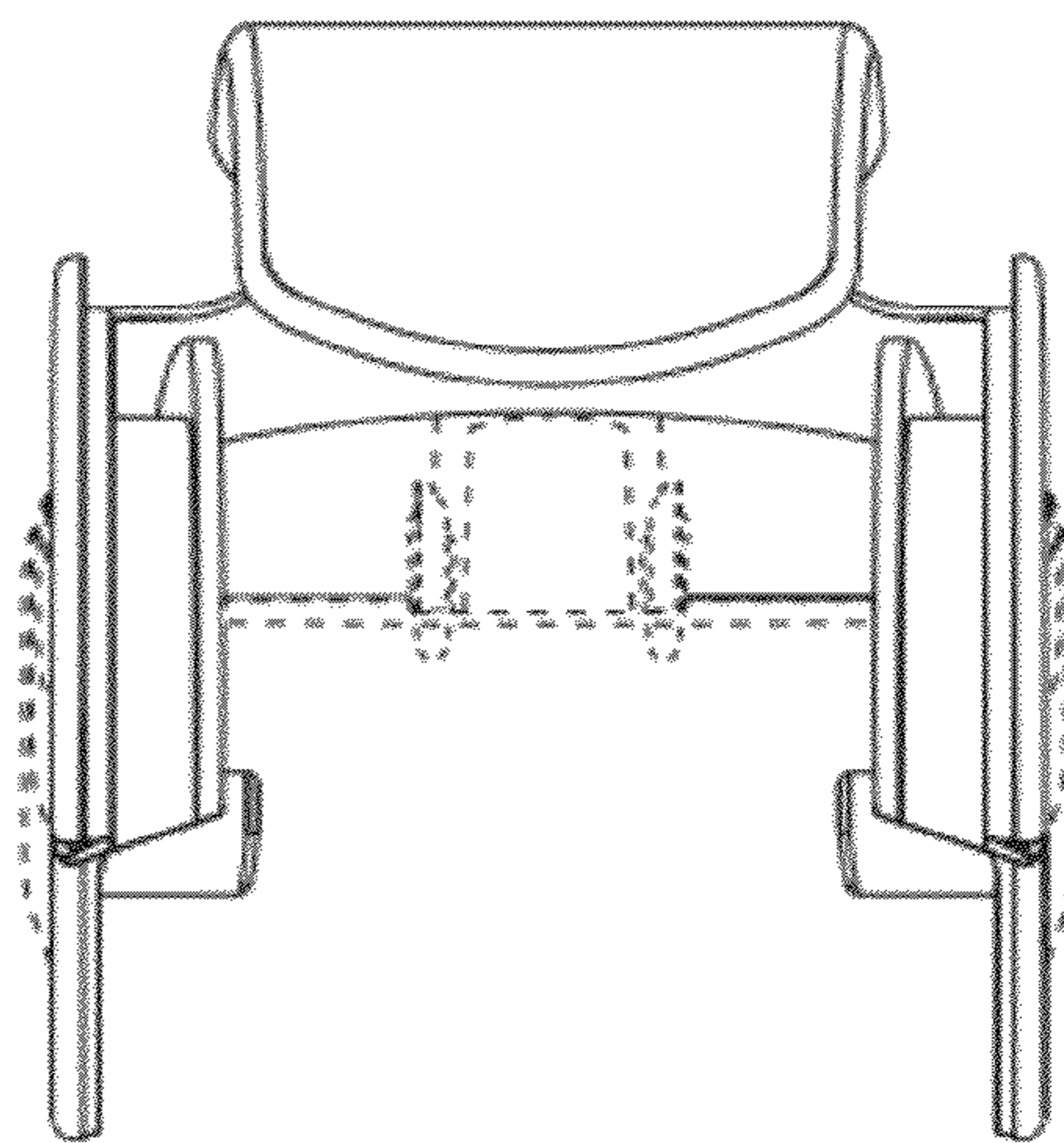


Fig. 6