



US00D664199S

(12) **United States Design Patent**
Lau

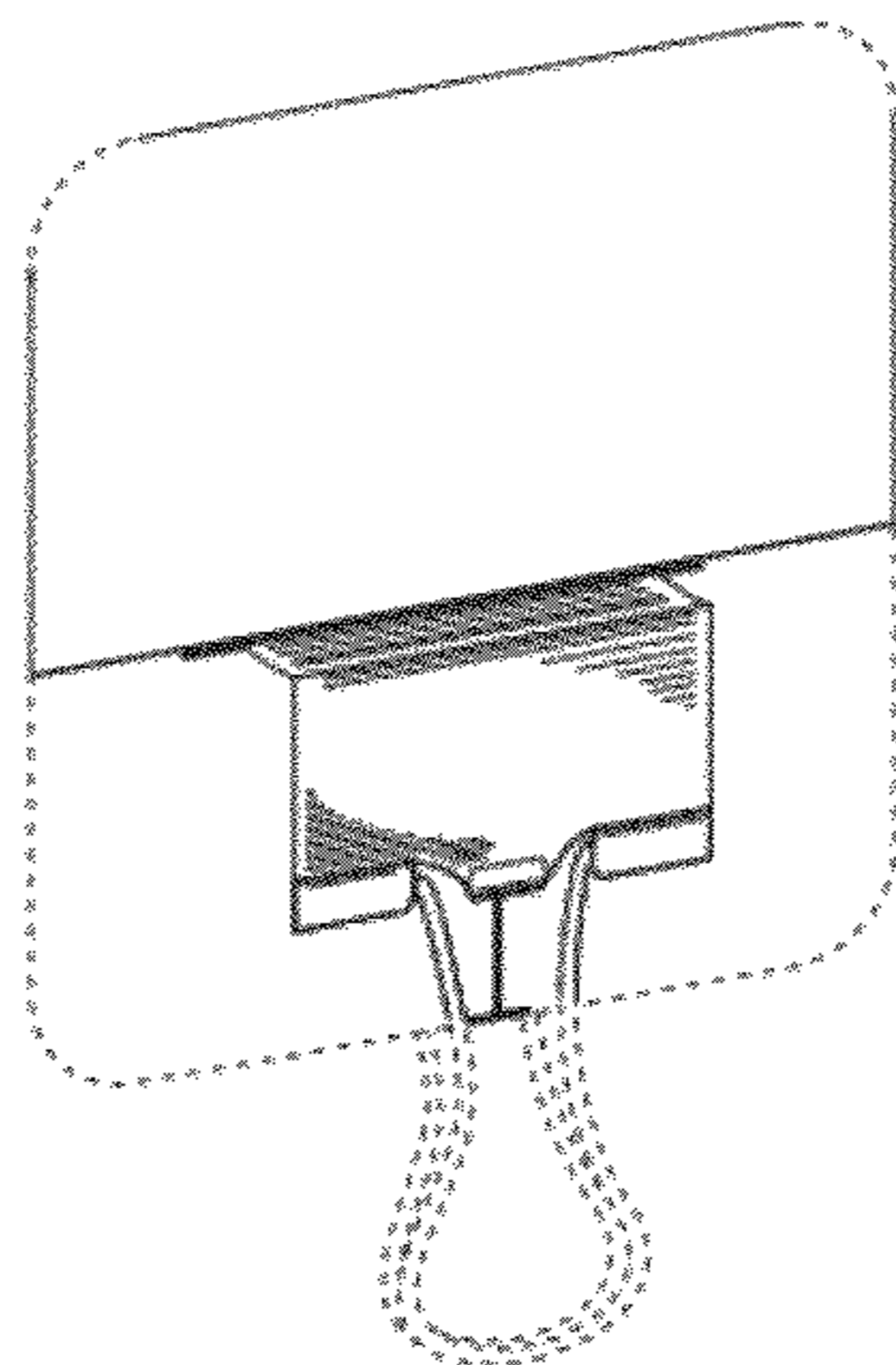
(10) **Patent No.:** **US D664,199 S**
(45) **Date of Patent:** **** *Jul. 24, 2012**

- (54) **NOTE AND CLIP**
 - (76) Inventor: **Janet K. Lau**, Union City, CA (US)
 - (*) Notice: This patent is subject to a terminal disclaimer.
 - (**) Term: **14 Years**
 - (21) Appl. No.: **29/369,800**
 - (22) Filed: **Sep. 13, 2010**
 - (51) **LOC (9) Cl.** **19-02**
 - (52) **U.S. Cl.** **D19/65**
 - (58) **Field of Classification Search** D8/394,
D8/395; D19/1, 2, 65, 86, 99, 100; D20/22,
D20/27, 43; 24/67 R, 67.3, 67.5, 67.7, 67.9,
24/67.11, 546, 547, DIG. 8, DIG. 9; 40/300,
40/359, 658, 666
- See application file for complete search history.

1,976,465 A	10/1934	Thomson	
1,977,096 A	10/1934	Straubel	
1,985,866 A	12/1934	Lankenau	
1,997,894 A	4/1935	Woodley	
2,008,019 A	7/1935	Horlick, Jr.	
D104,956 S	6/1937	Baker	
2,118,043 A	5/1938	Goza	
2,156,743 A	5/1939	Skrebba	
2,323,552 A	7/1943	Marion	
D136,639 S	11/1943	Hoffman	
2,362,445 A	11/1944	Blodgett	
2,415,248 A	2/1947	Kenna et al.	
2,420,021 A	5/1947	Straubel	
2,623,311 A	12/1952	Condon	
2,695,026 A	11/1954	Broneer	
3,073,046 A	1/1963	Condon	
3,107,673 A *	10/1963	Haddad	402/79
3,123,924 A	3/1964	Roberts	
3,225,469 A	12/1965	Chase	
3,247,602 A	4/1966	Hamilton et al.	
3,290,810 A	12/1966	Morena	
3,301,264 A *	1/1967	Usoskin	402/70
3,360,877 A	1/1968	Estep	
D229,571 S	12/1973	Fearing	
3,934,368 A	1/1976	Fearing	
D241,342 S	9/1976	Carroll	
D268,848 S	5/1983	Lorber	
4,384,417 A	5/1983	Thompson	
4,425,724 A	1/1984	Scott	
4,532,680 A *	8/1985	Hashimoto	24/67 R
4,646,455 A	3/1987	Gardner	
4,691,458 A	9/1987	Scott	
D295,540 S	5/1988	Rabig	
4,761,862 A *	8/1988	Hiromori	24/67.9
4,878,302 A	11/1989	Jowsey	
4,951,408 A	8/1990	Banks	
D314,012 S	1/1991	Klodt	
D327,183 S	6/1992	Meyer	
5,199,203 A	4/1993	Jones	
5,481,784 A	1/1996	Sinaiko	
D368,487 S *	4/1996	Lindberg	D19/1
5,533,236 A *	7/1996	Tseng	24/67.5
D372,498 S *	8/1996	Sato	D19/65
5,619,789 A *	4/1997	Chung	29/814
5,638,583 A *	6/1997	Tseng	24/67.5
D382,405 S	8/1997	Ohayon	
D383,789 S	9/1997	Shyu	
5,695,219 A	12/1997	Crawford	
5,896,624 A *	4/1999	Horswell	24/67.5
D409,245 S	5/1999	Wolff	
5,950,283 A *	9/1999	Sato	24/67 R
D416,040 S	11/1999	Kasom et al.	
D416,584 S *	11/1999	Ho	D19/78

(56) **References Cited**
U.S. PATENT DOCUMENTS

332,327 A	12/1885	Clark	
863,265 A	8/1907	Crouse	
876,252 A	1/1908	Baker	
962,397 A	6/1910	Whitmore	
1,052,505 A	2/1913	Munger et al.	
1,123,008 A	12/1914	Rice	
1,139,627 A	5/1915	Baltzley	
1,158,940 A	11/1915	Litt et al.	
1,178,113 A	4/1916	Turton et al.	
D50,594 S	4/1917	Voges	
1,345,365 A	7/1920	Hutchison	
1,465,576 A	8/1923	Biggs	
1,501,067 A	7/1924	Schaffert	
1,524,478 A	1/1925	Hunter	
1,587,335 A	6/1926	Kline	
1,661,165 A	3/1928	Cameron	
1,778,031 A	10/1930	Kinch	
1,802,980 A	4/1931	Marsh	
1,826,580 A	10/1931	Spinney	
1,840,604 A	1/1932	Randall	
1,865,453 A *	7/1932	Baltzley	24/545
1,888,704 A *	11/1932	Swett	40/662
1,894,906 A	1/1933	Henry	
1,914,671 A	6/1933	O'Neil	



5,996,130	A	12/1999	Verhines	
6,197,396	B1 *	3/2001	Haas et al.	428/40.1
6,327,749	B1 *	12/2001	Antinone	24/67 R
6,363,941	B1 *	4/2002	Combs	131/190
6,374,463	B1 *	4/2002	Kaufman	24/67.5
D465,525	S	11/2002	Dilday	
D468,355	S *	1/2003	Danella et al.	D19/65
D476,172	S	6/2003	Bourne, Sr.	
D478,122	S *	8/2003	Haas	D19/2
D479,560	S *	9/2003	Deaton, Sr.	D20/19
D485,780	S *	1/2004	Thomson	D11/78.1
D488,835	S *	4/2004	Haruhiro	D19/90
7,005,170	B1 *	2/2006	Simpson et al.	428/40.1
7,040,051	B2 *	5/2006	Windorski	40/641
7,120,969	B2 *	10/2006	Carls	24/67.3
7,225,570	B2 *	6/2007	Windorski	40/641
7,318,293	B2 *	1/2008	Ardern, II	40/666
D565,109	S *	3/2008	Lau	D19/65
D565,112	S *	3/2008	Lau	D19/65
D566,184	S *	4/2008	Lau	D19/65
D580,982	S *	11/2008	Lau	D19/65
D616,294	S *	5/2010	Britt et al.	D9/414
D616,736	S *	6/2010	Britt et al.	D9/415
7,730,593	B1 *	6/2010	Juilly	24/67.5
D642,623	S *	8/2011	Turner et al.	D20/40
7,992,260	B1 *	8/2011	Juilly	24/67.5
2001/0032376	A1 *	10/2001	Payne	24/67.5
2003/0115722	A1 *	6/2003	Shogbamimu et al.	24/67 R
2005/0060923	A1 *	3/2005	Ardern	40/658
2005/0217078	A1	10/2005	Groch et al.	
2006/0000133	A1	1/2006	Windorski	
2006/0130288	A1 *	6/2006	Carls	24/67.3
2007/0209264	A1	9/2007	Lau	
2010/0313393	A1 *	12/2010	Kim et al.	24/67 R

FOREIGN PATENT DOCUMENTS

JP	09-071065	A	3/1997
JP	2001-353992	A	12/2001

* cited by examiner

Primary Examiner — Elizabeth Albert
(74) *Attorney, Agent, or Firm* — Aka Chan LLP

(57) **CLAIM**

The ornamental design for a note and clip, as shown and described.

DESCRIPTION

FIG. 1 shows a perspective view of a first embodiment of a design of a note and clip.
 FIG. 2 shows a right-side view of FIG. 1. A left-side view is a mirror image of the right-side view.
 FIG. 3 shows another perspective view of FIG. 1.
 FIG. 4 shows a front view of FIG. 1. A back view is a mirror image of the front view.
 FIG. 5 shows a right-side view of FIG. 1. A left-side view is a mirror image of the right-side view.
 FIG. 6 shows a back view of FIG. 1. A front view is a mirror image of the back view.
 FIG. 7 shows a top view of FIG. 1.
 FIG. 8 shows a bottom view of FIG. 1.
 FIG. 9 shows a perspective view of a second embodiment of a design of a note and clip.
 FIG. 10 shows a right-side view of FIG. 9. A left-side view is a mirror image of the right-side view.
 FIG. 11 shows another perspective view of FIG. 9.
 FIG. 12 shows a front view of FIG. 9. A back view is a mirror image of the front view.

FIG. 13 shows a right-side view of FIG. 9. A left-side view is a mirror image of the right-side view.
 FIG. 14 shows a back view of FIG. 9. A front view is a mirror image of the back view.
 FIG. 15 shows a top view of FIG. 9.
 FIG. 16 shows a bottom view of FIG. 9.
 FIG. 17 shows a perspective view of a third embodiment of a design of a note and clip.
 FIG. 18 shows a right-side view of FIG. 17. A left-side view is a mirror image of the right-side view.
 FIG. 19 shows another perspective view of FIG. 17.
 FIG. 20 shows a front view of FIG. 17. A back view of this embodiment is a mirror image of the front view.
 FIG. 21 shows a right-side view of FIG. 17. A left-side view of this embodiment is a mirror image of the right-side view.
 FIG. 22 shows a back view of FIG. 17. A front view of this embodiment is a mirror image of the back view.
 FIG. 23 shows a top view of FIG. 17.
 FIG. 24 shows a bottom view of FIG. 17.
 FIG. 25 shows a perspective view of a fourth embodiment of design of a note and clip.
 FIG. 26 shows a right-side view of FIG. 25. A left-side view of this embodiment is a mirror image of the right-side view.
 FIG. 27 shows another perspective view of FIG. 25.
 FIG. 28 shows a front view of FIG. 25. A back view of this embodiment is a mirror image of the front view.
 FIG. 29 shows a right-side view of FIG. 25. A left-side view of this embodiment is a mirror image of the right-side view.
 FIG. 30 shows a front view of FIG. 25. A back view of this embodiment is a mirror image of the front view.
 FIG. 31 shows a top view of FIG. 25.
 FIG. 32 shows a bottom view of FIG. 25.
 FIG. 33 shows a perspective view of a fifth embodiment of a design of a note and clip.
 FIG. 34 shows a right-side view of FIG. 33. A left-side view of this embodiment is a mirror image of the right-side view.
 FIG. 35 shows another perspective view of FIG. 33.
 FIG. 36 shows a front view of FIG. 33. A back view of this embodiment is a mirror image of the front view.
 FIG. 37 shows a right-side view of FIG. 33. A left-side view of this embodiment is a mirror image of the right-side view.
 FIG. 38 shows a front view of FIG. 33. A back view of this embodiment is a mirror image of the front view.
 FIG. 39 shows a top view of FIG. 33.
 FIG. 40 shows a bottom view of FIG. 33.
 FIG. 41 shows a perspective view of a sixth embodiment of a design of a note and clip.
 FIG. 42 shows a right-side view of FIG. 41. A left-side view of this embodiment is a mirror image of the right-side view.
 FIG. 43 shows another perspective view of FIG. 41.
 FIG. 44 shows a front view of FIG. 41. A back view of this embodiment is a mirror image of the front view.
 FIG. 45 shows a right-side view of FIG. 41. A left-side view of this embodiment is a mirror image of the right-side view.
 FIG. 46 shows a front view of FIG. 41. A back view of this embodiment is a mirror image of the front view.
 FIG. 47 shows a top view of FIG. 41; and,
 FIG. 48 shows a bottom view of FIG. 41.
 The surfaces of the note are entirely unclaimed except for the edge lines and the central vertical line that are shown as solid lines. The broken-line features in the figures are for illustrative purposes only and form no part of the claimed design.

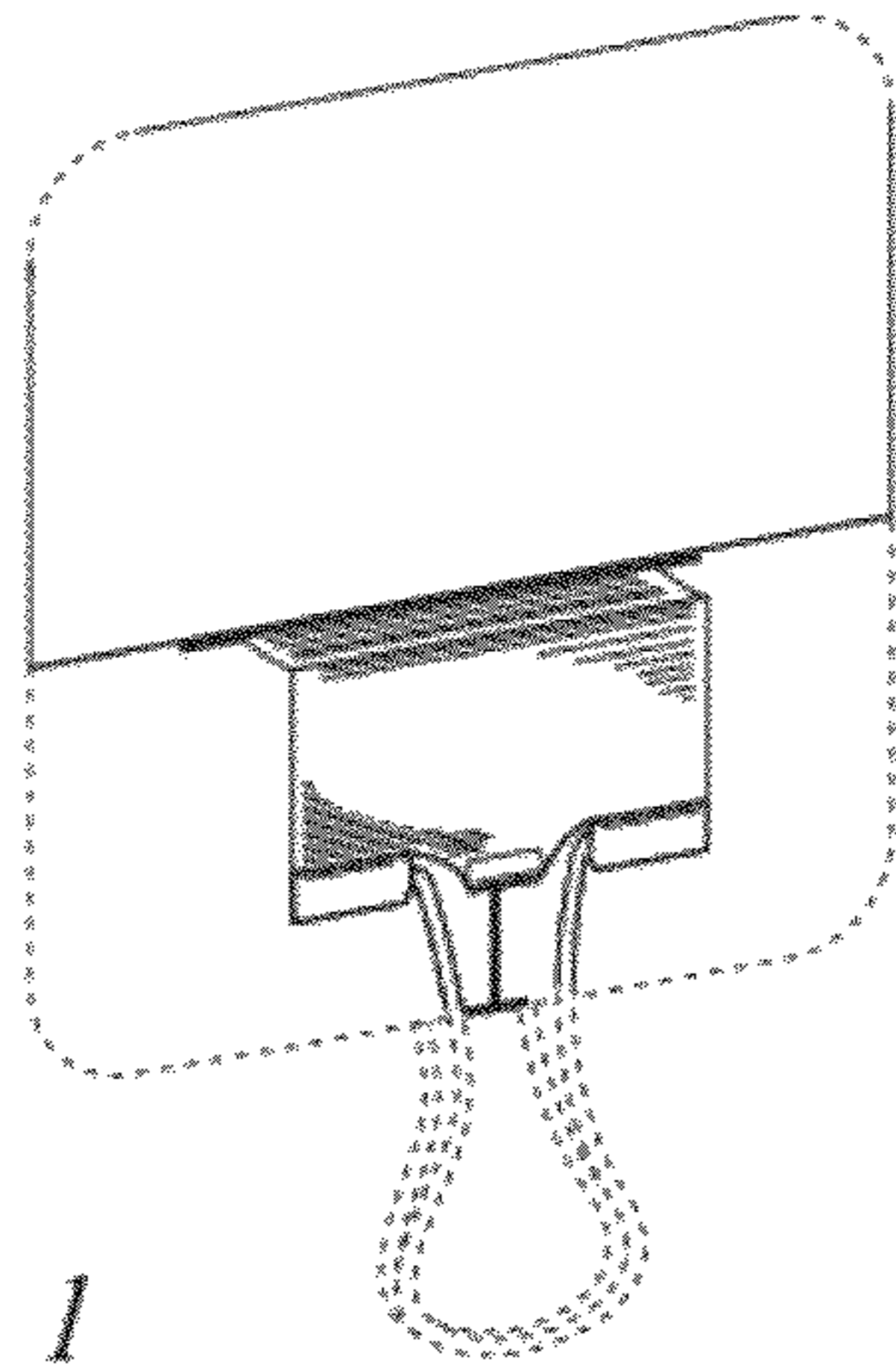


FIG. 1

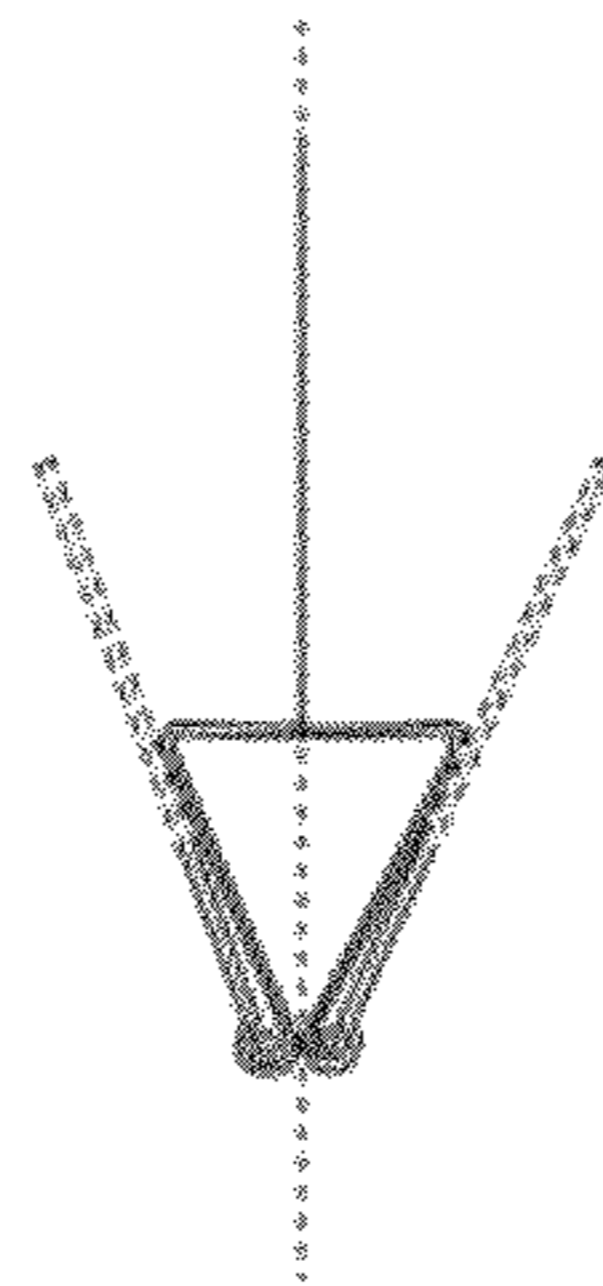


FIG. 2

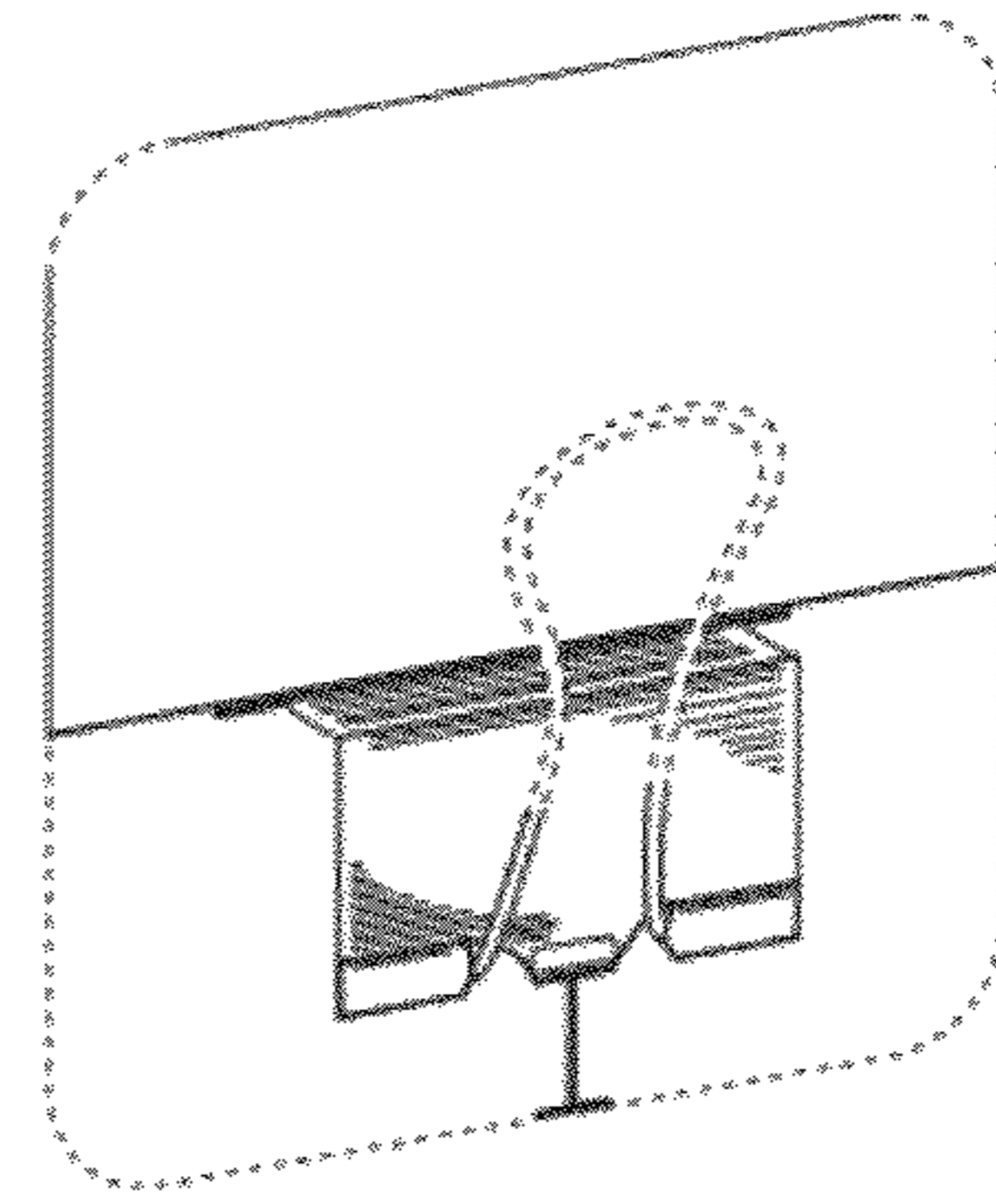


FIG. 3

FIG. 7

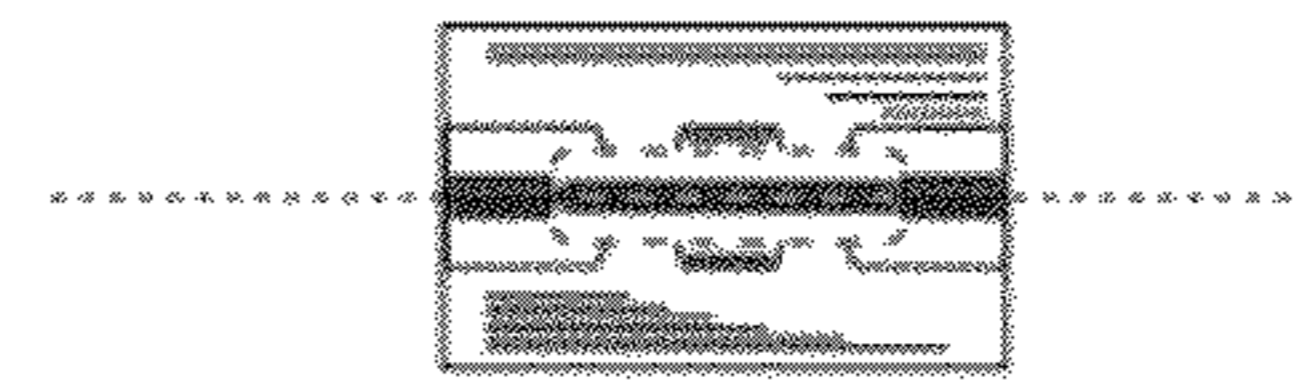


FIG. 8

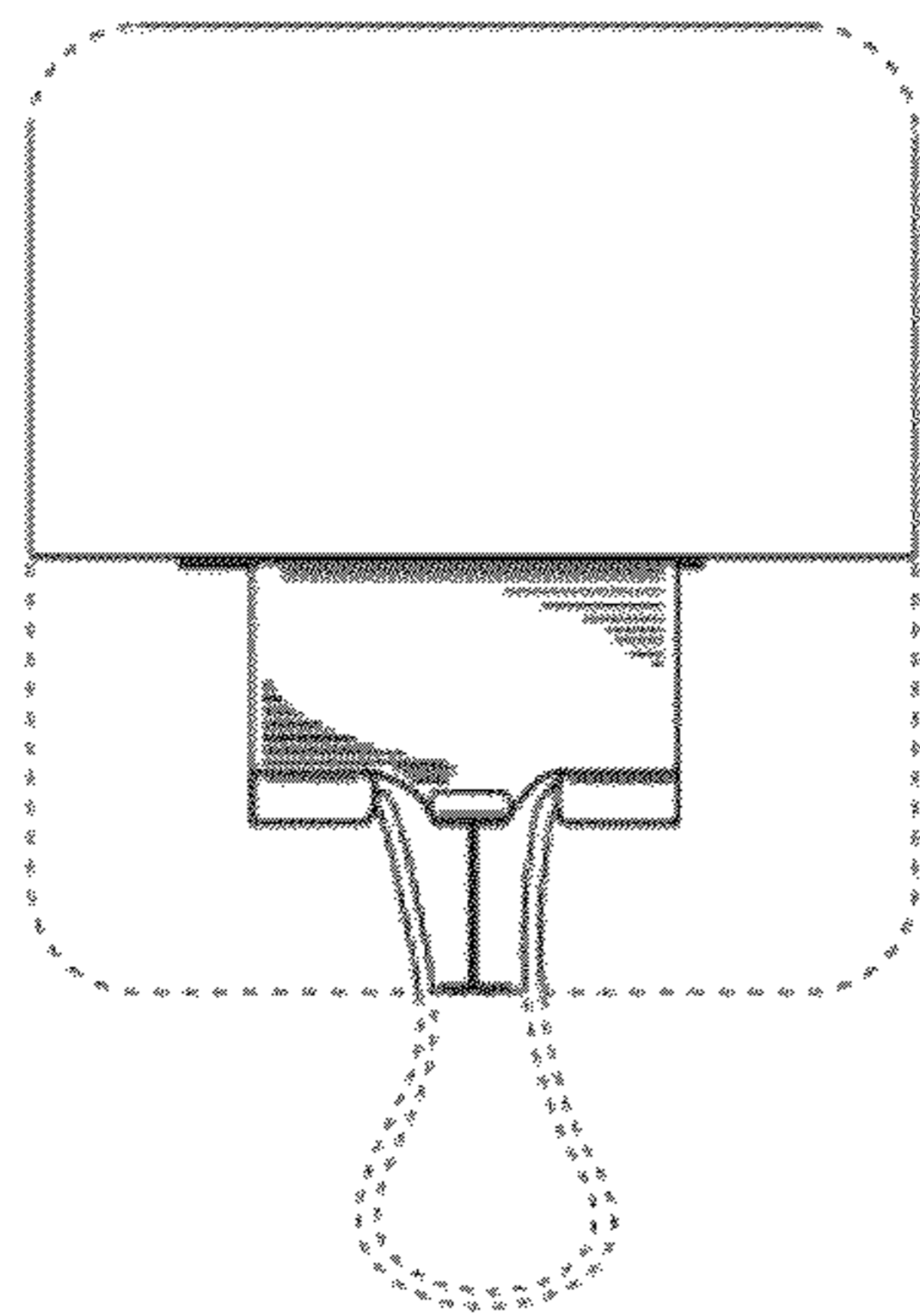


FIG. 4

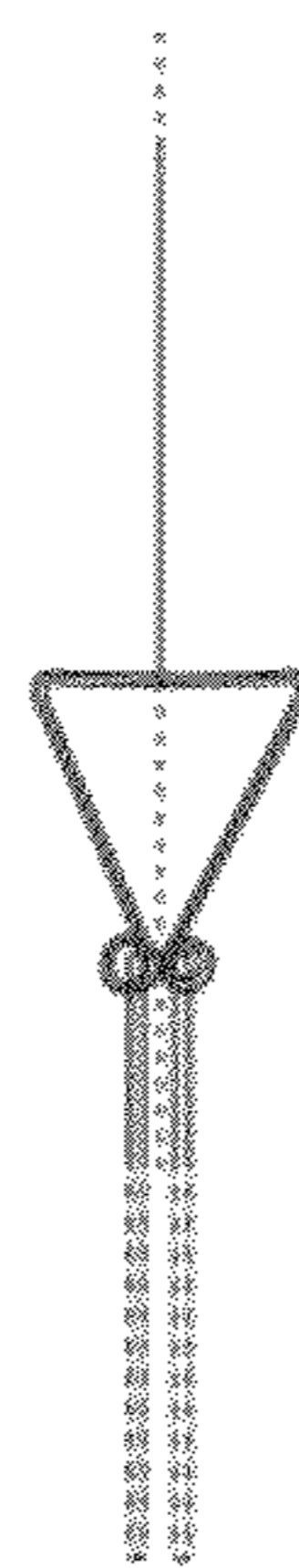


FIG. 5

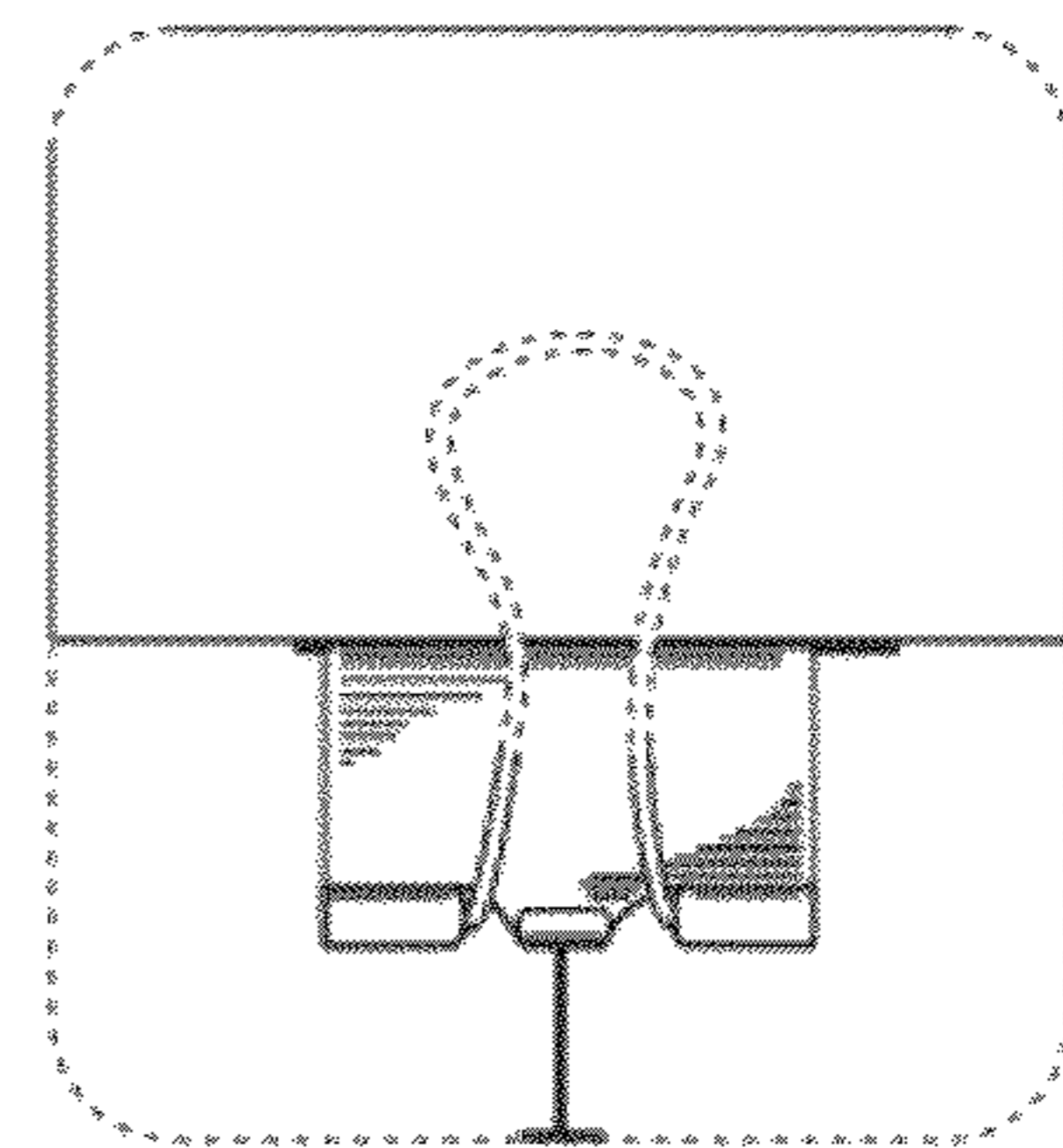


FIG. 6

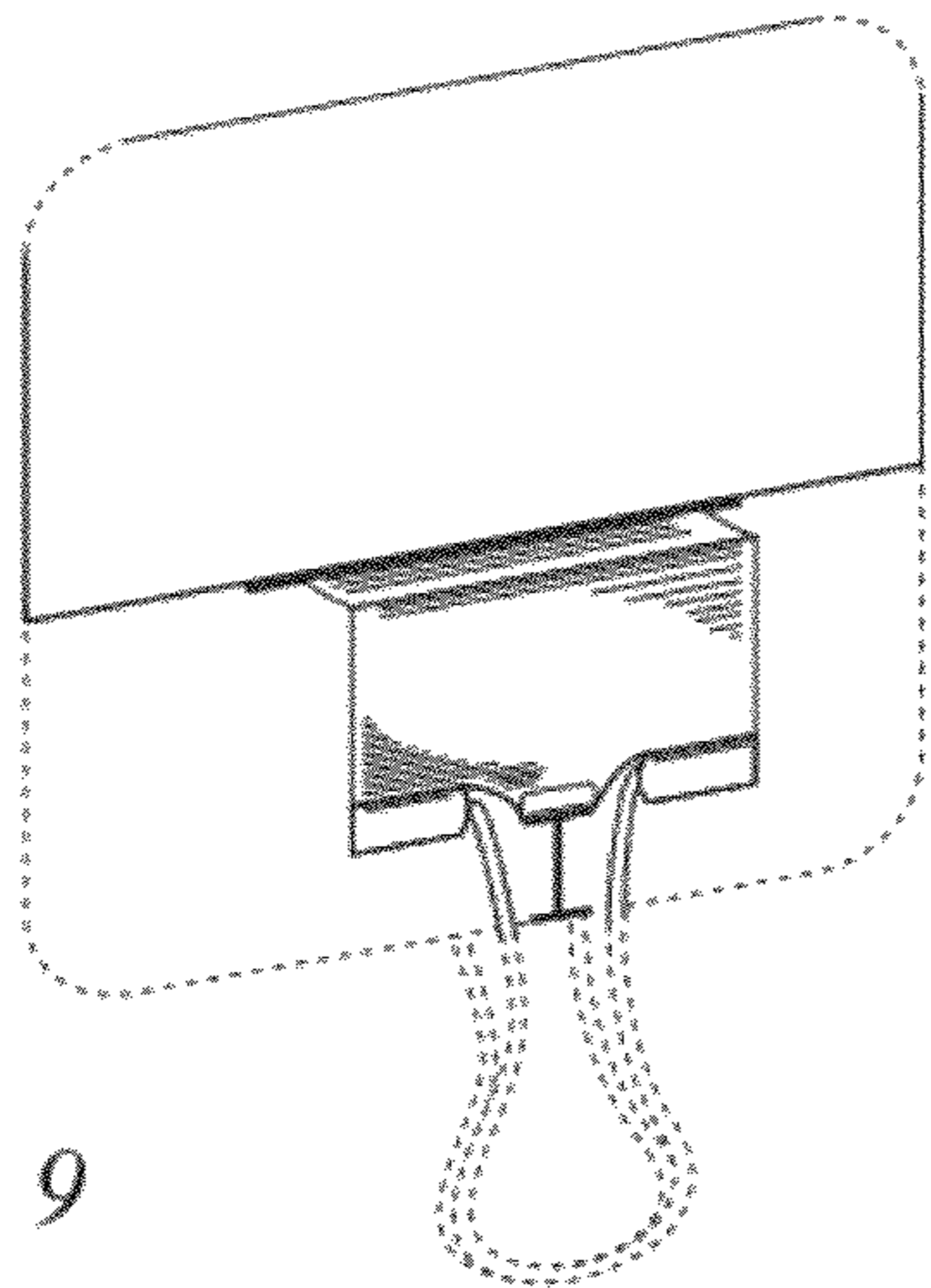


FIG. 9

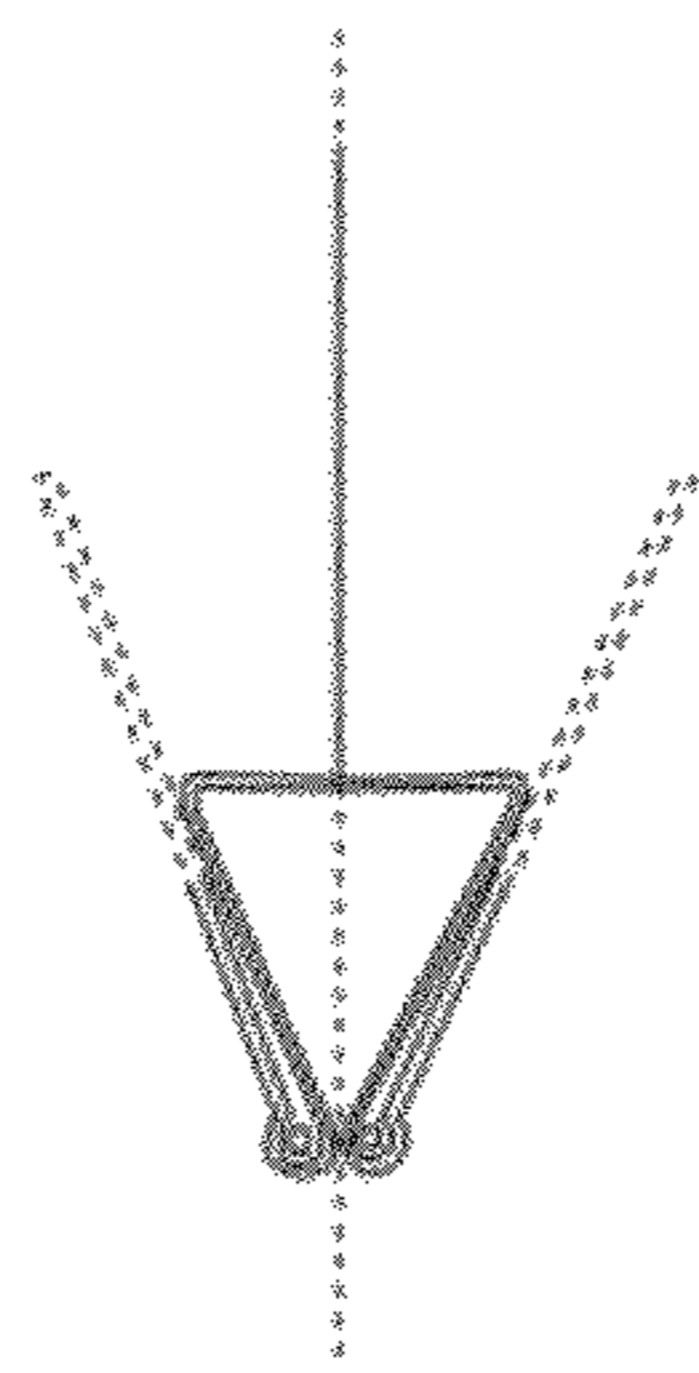


FIG. 10

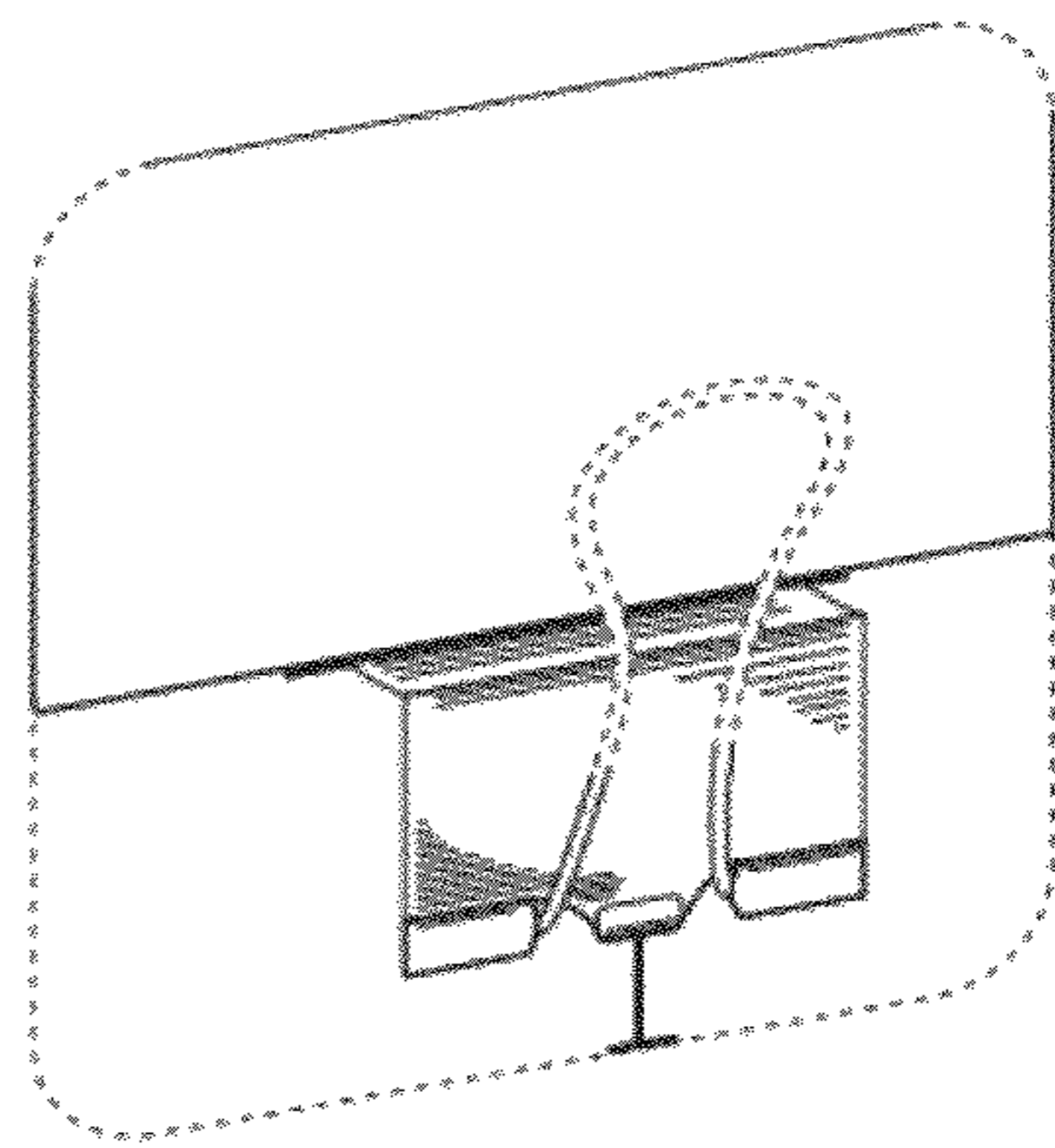


FIG. 11

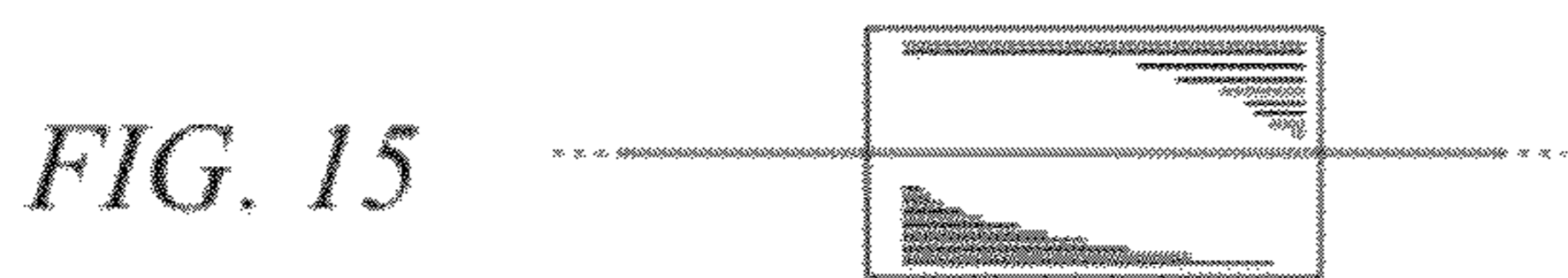


FIG. 15

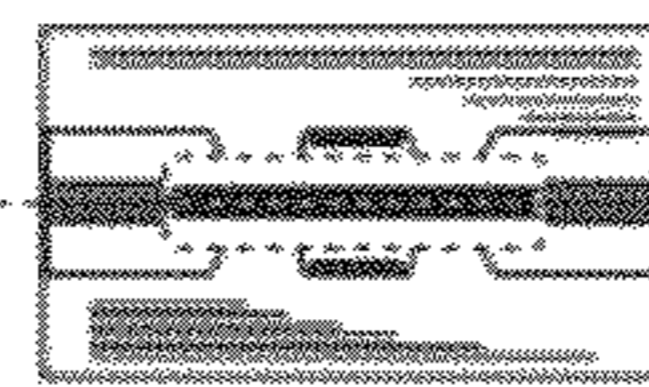


FIG. 16

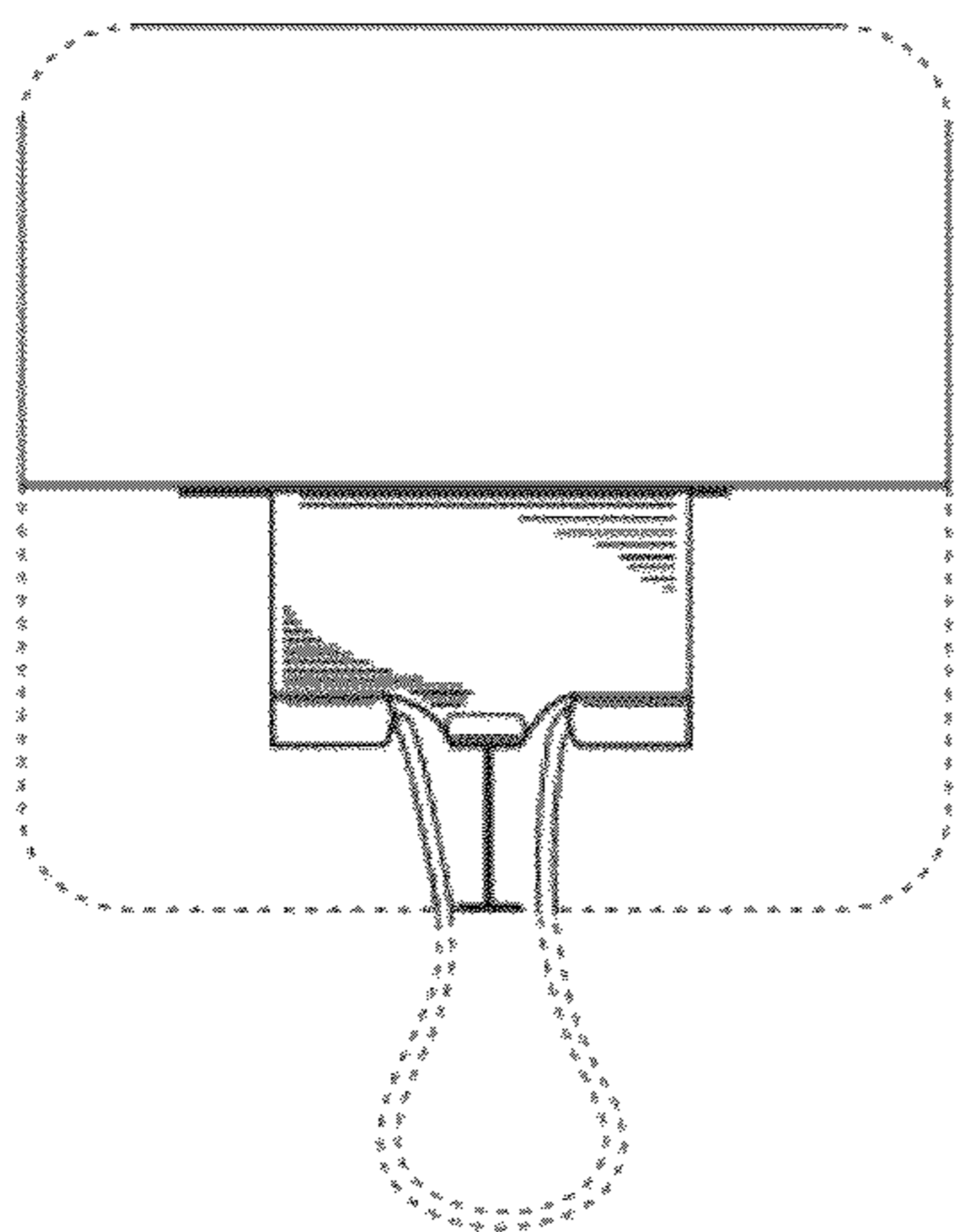


FIG. 12

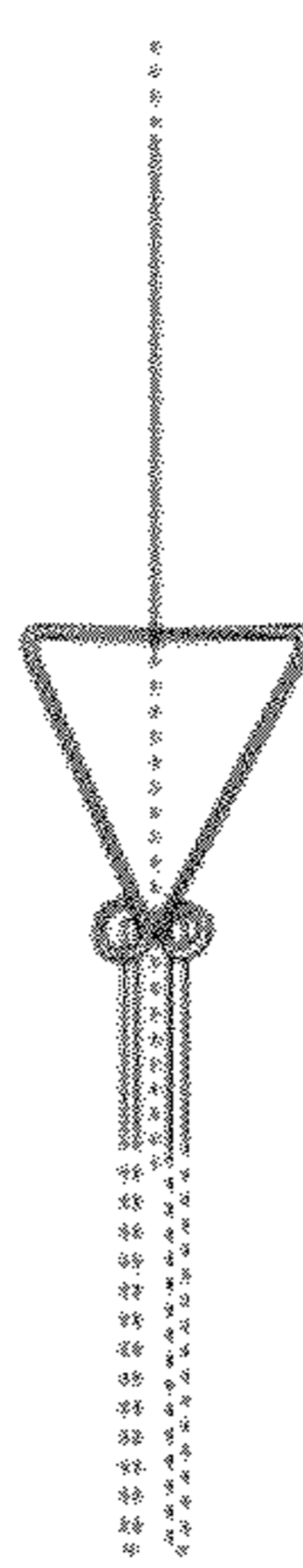


FIG. 13

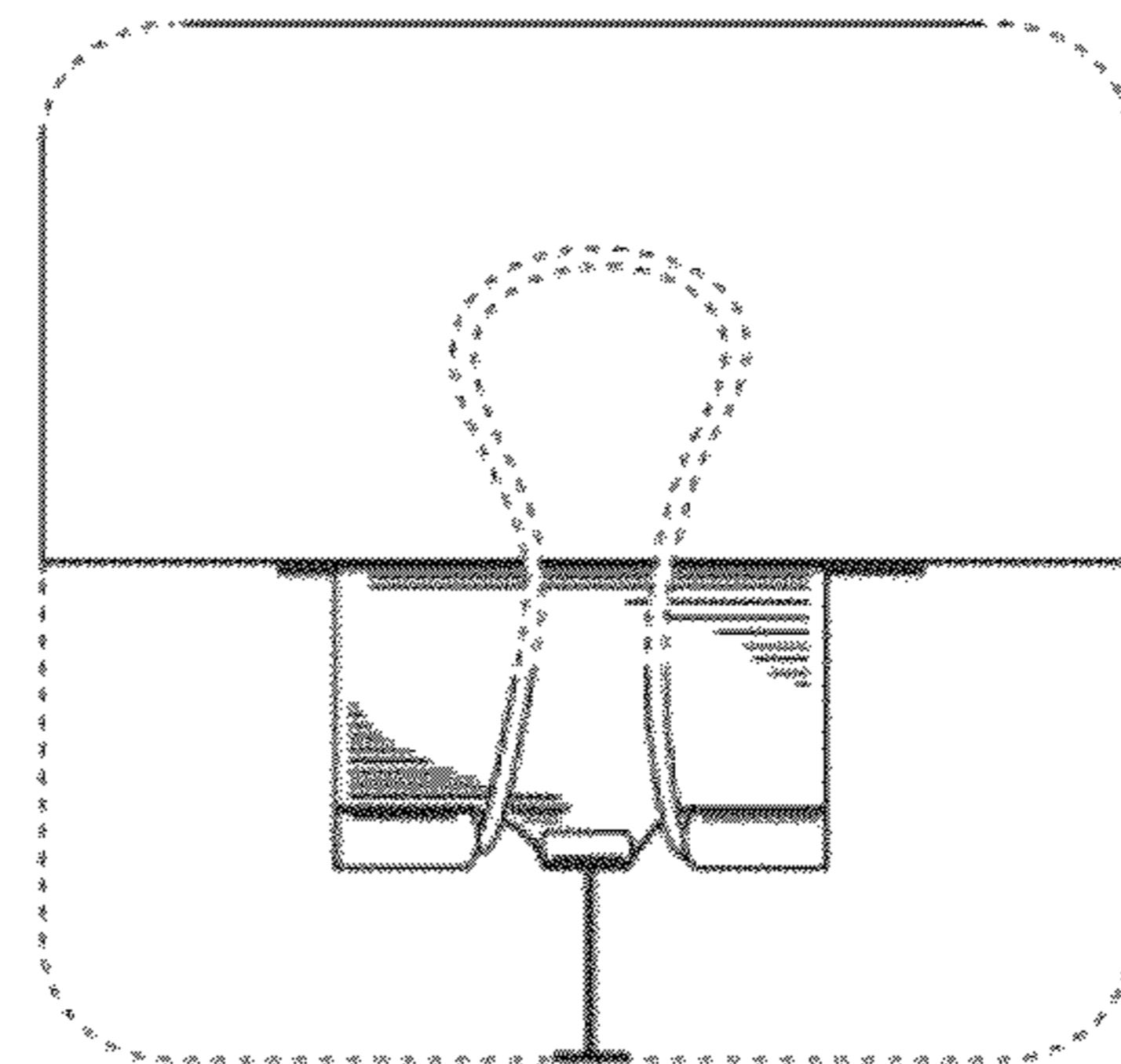


FIG. 14

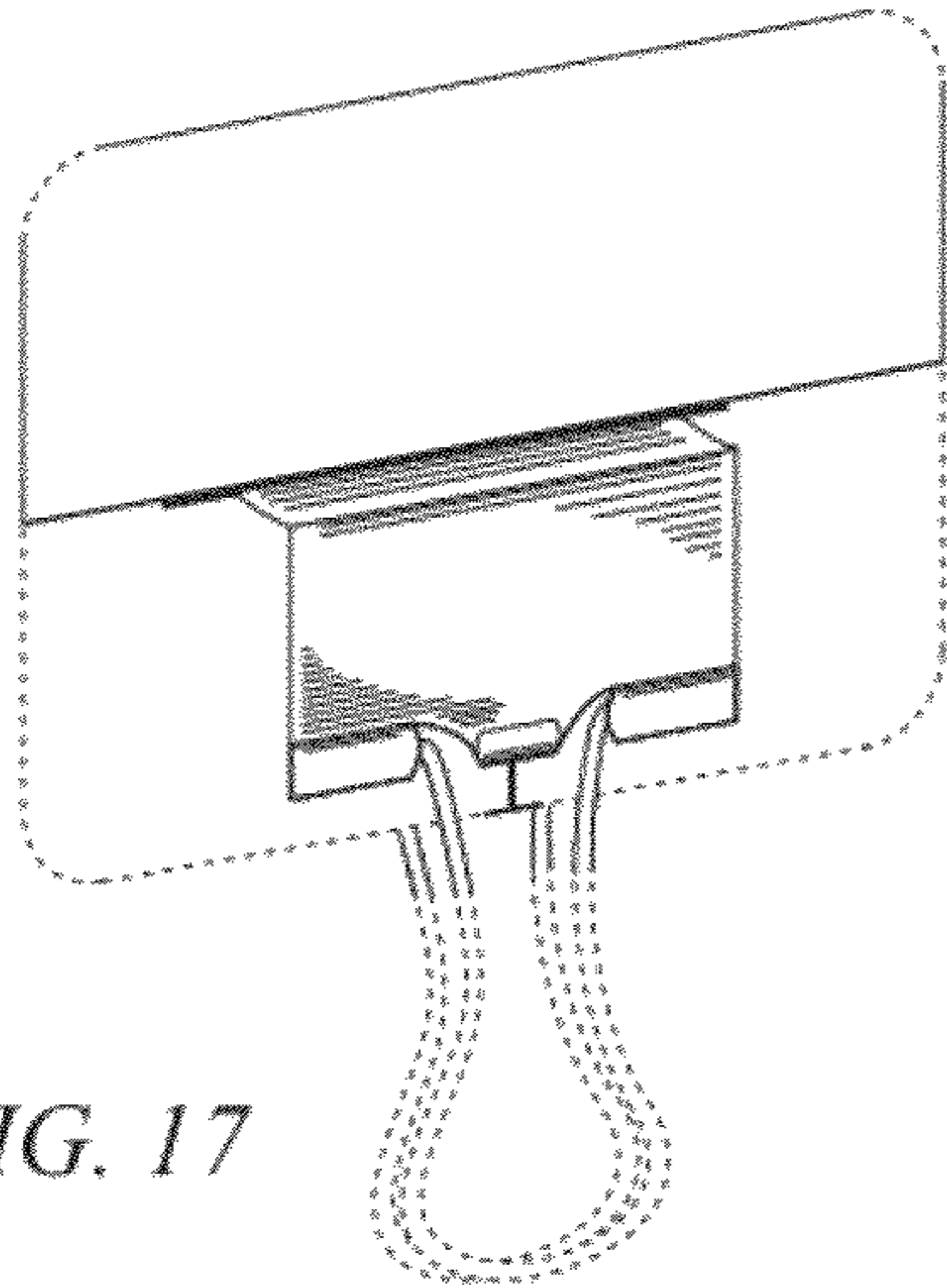


FIG. 17

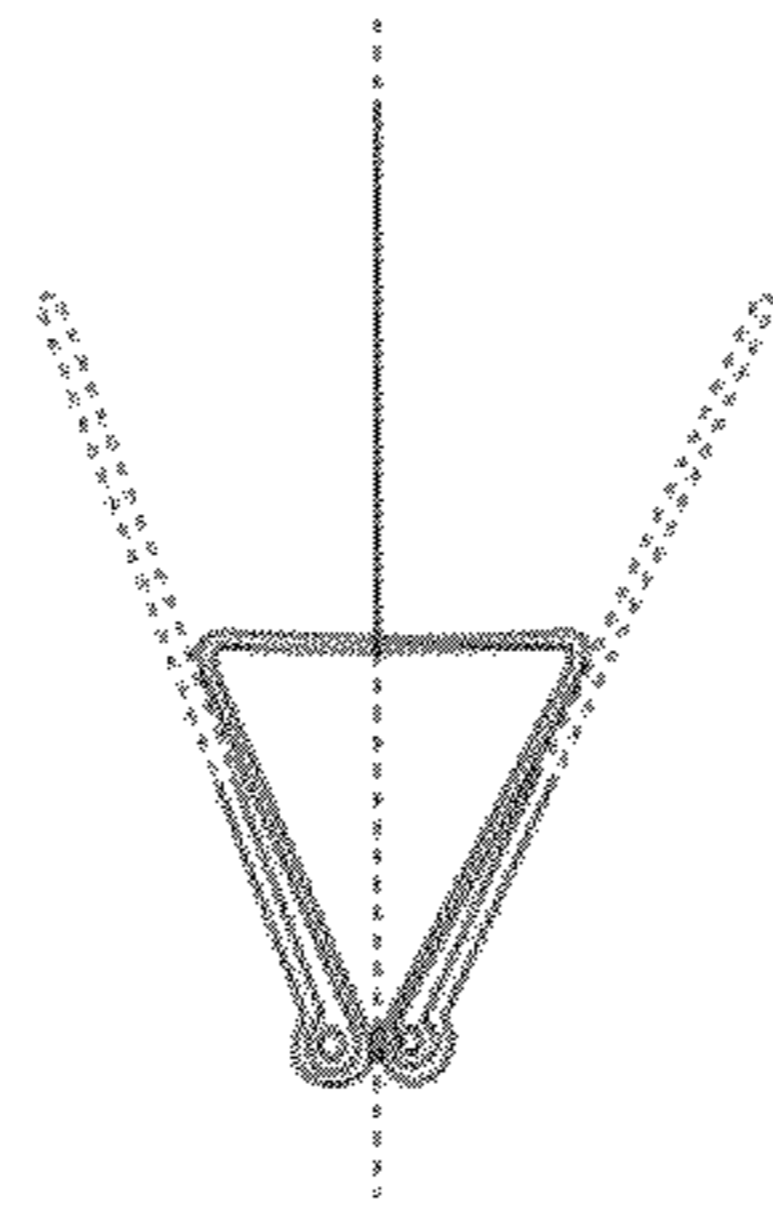


FIG. 18

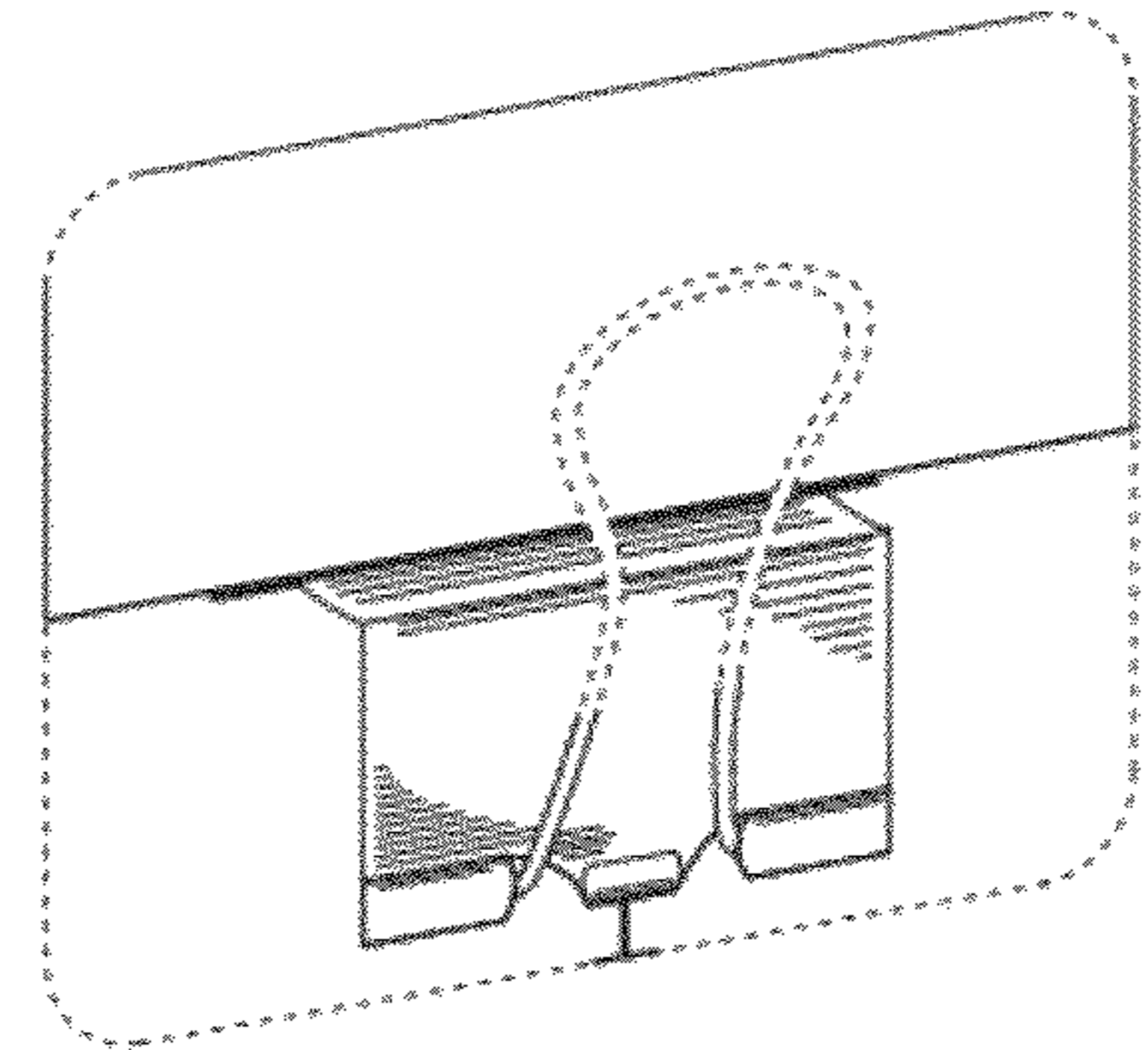


FIG. 19

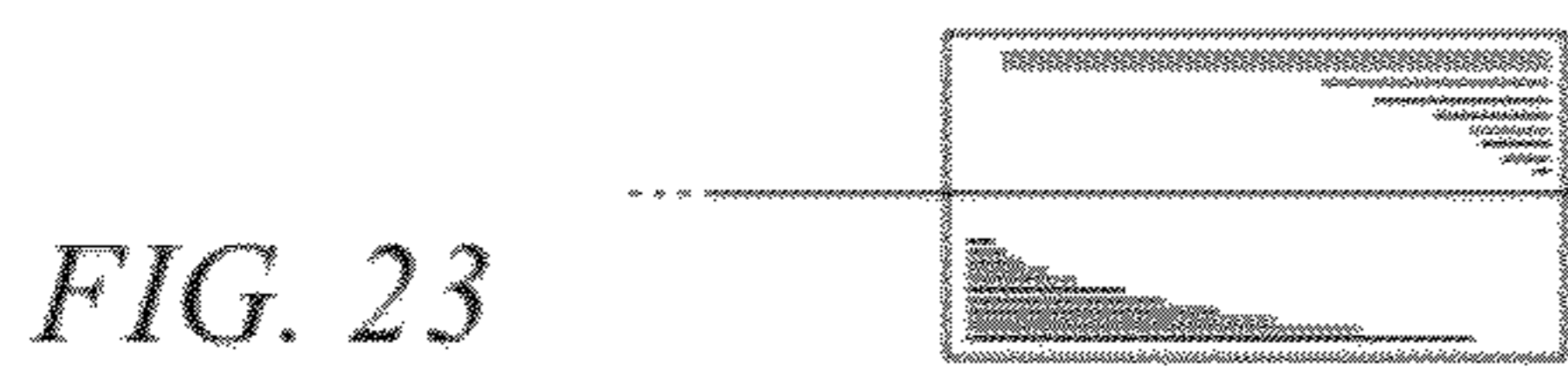


FIG. 23

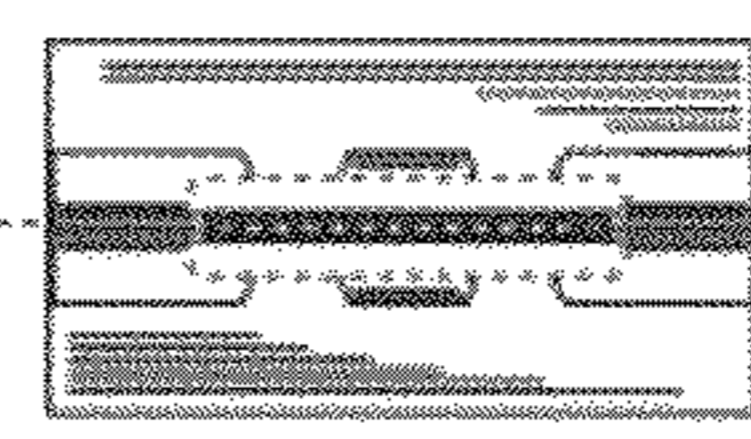


FIG. 24

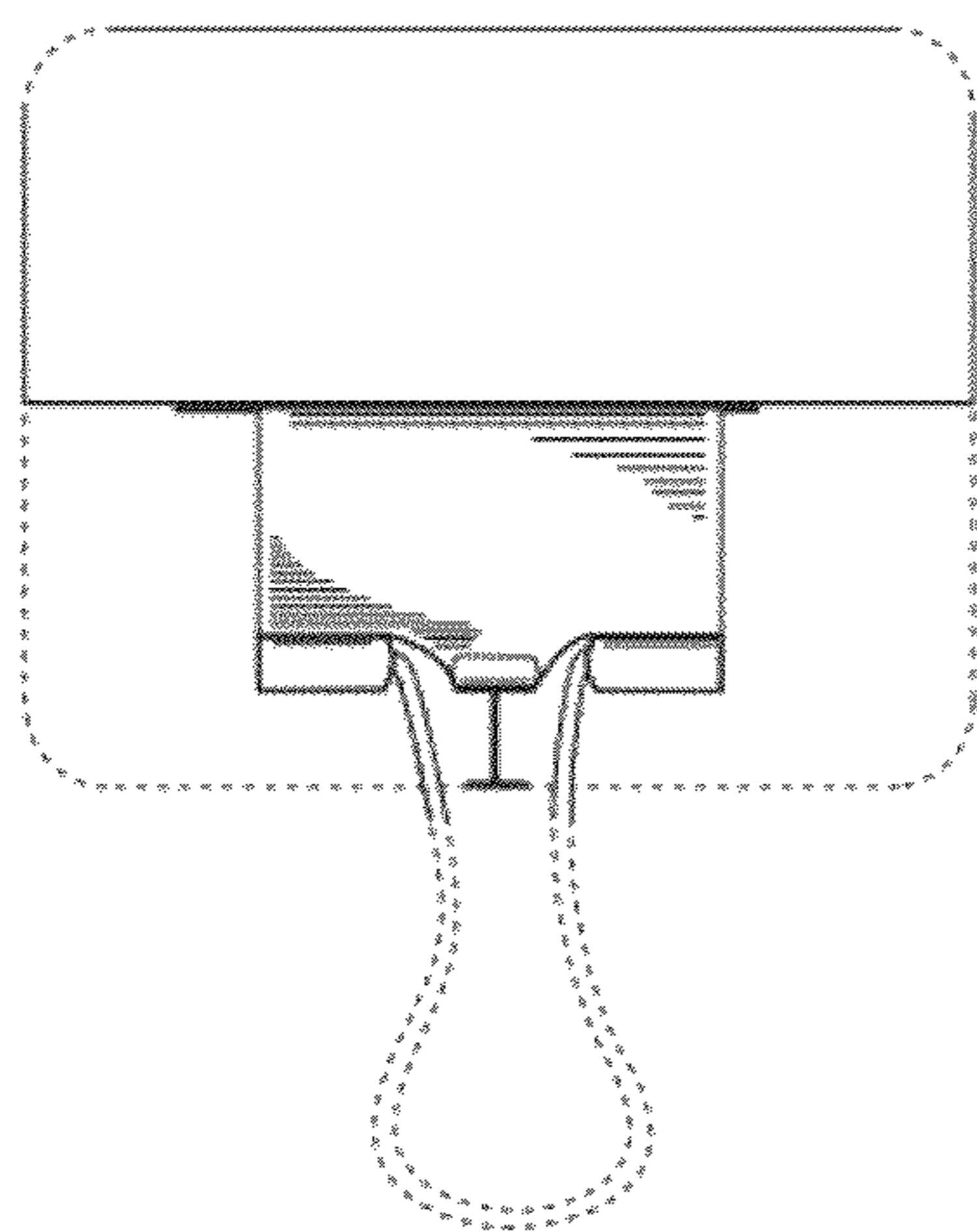


FIG. 20



FIG. 21

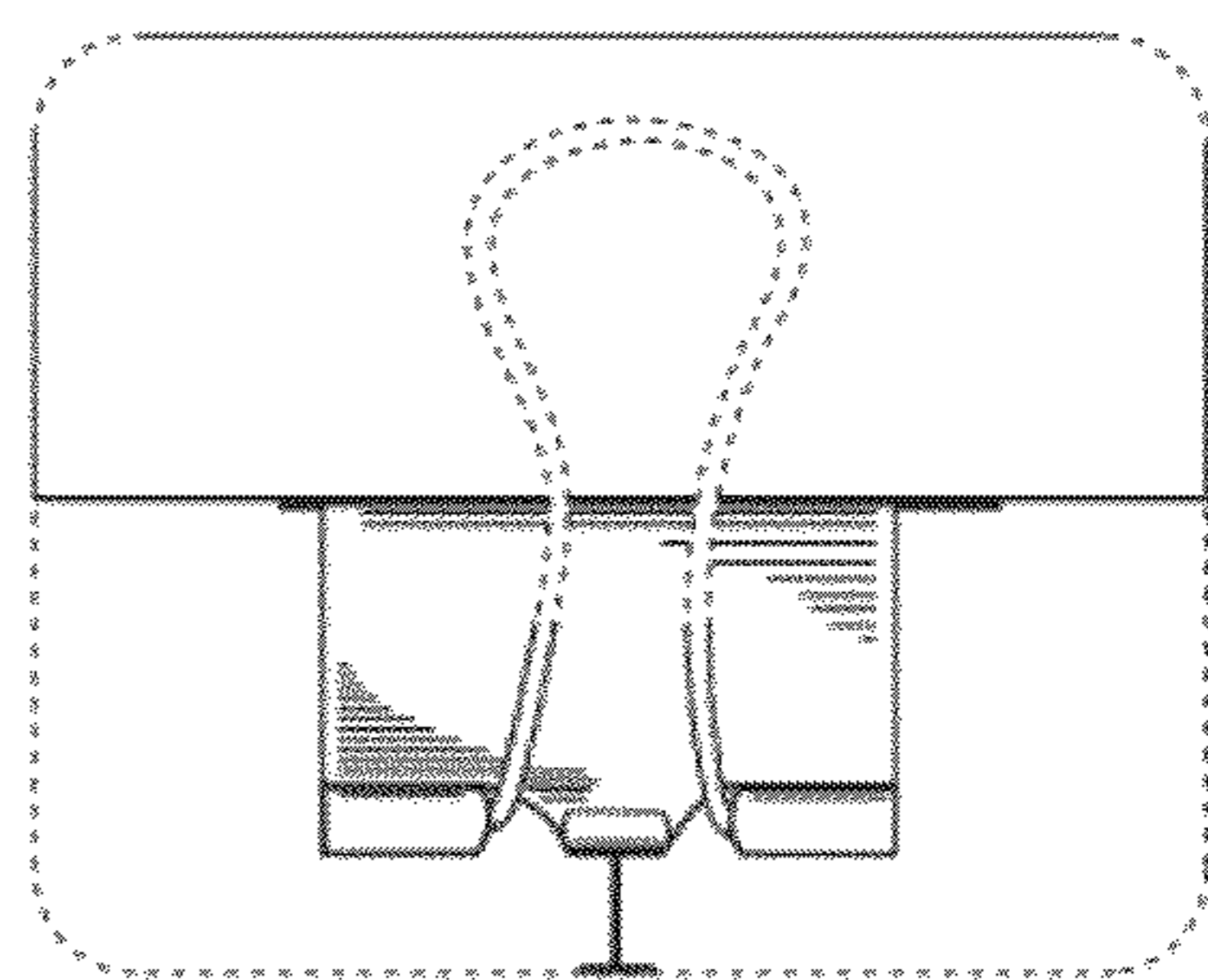


FIG. 22

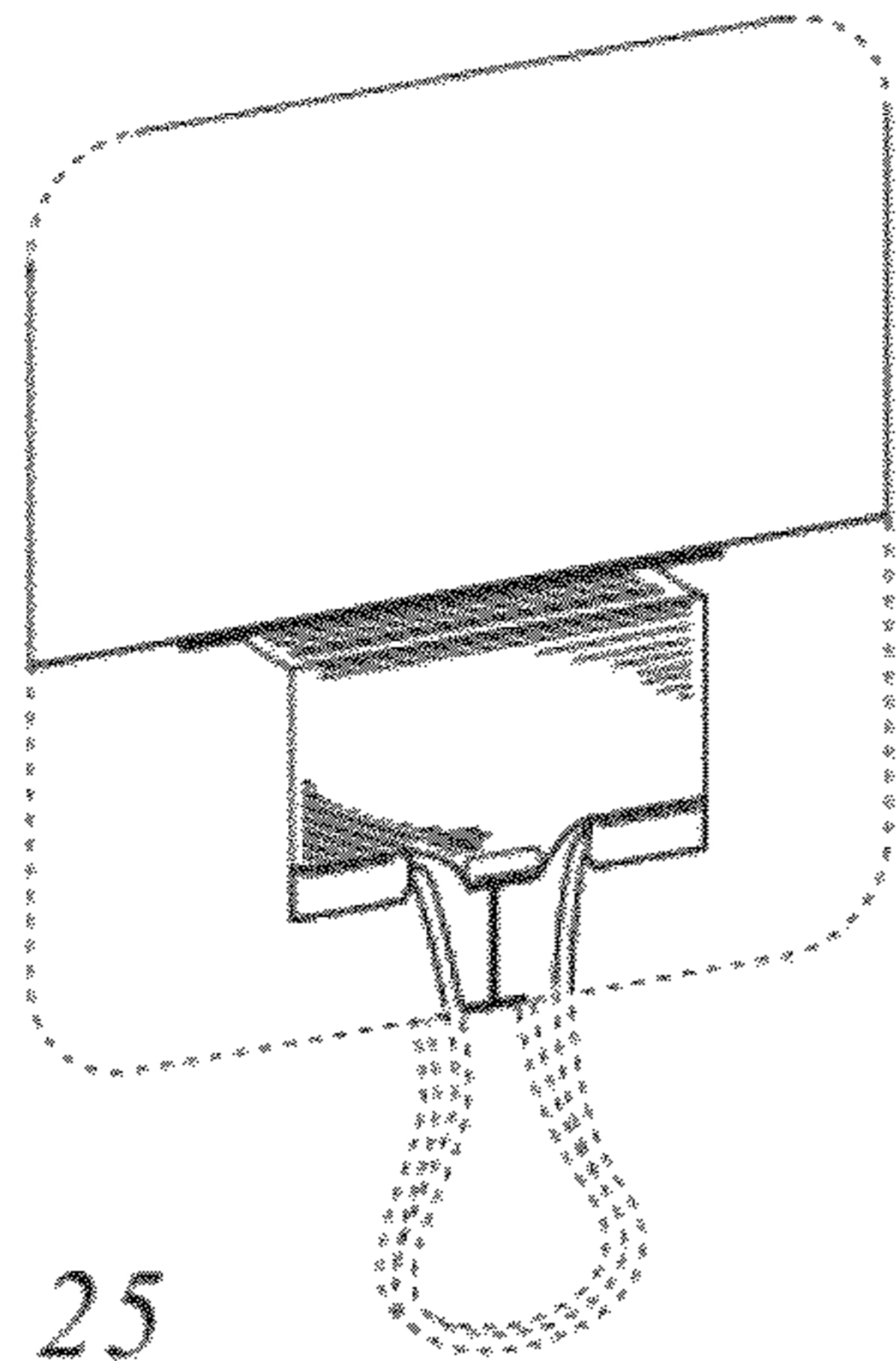


FIG. 25

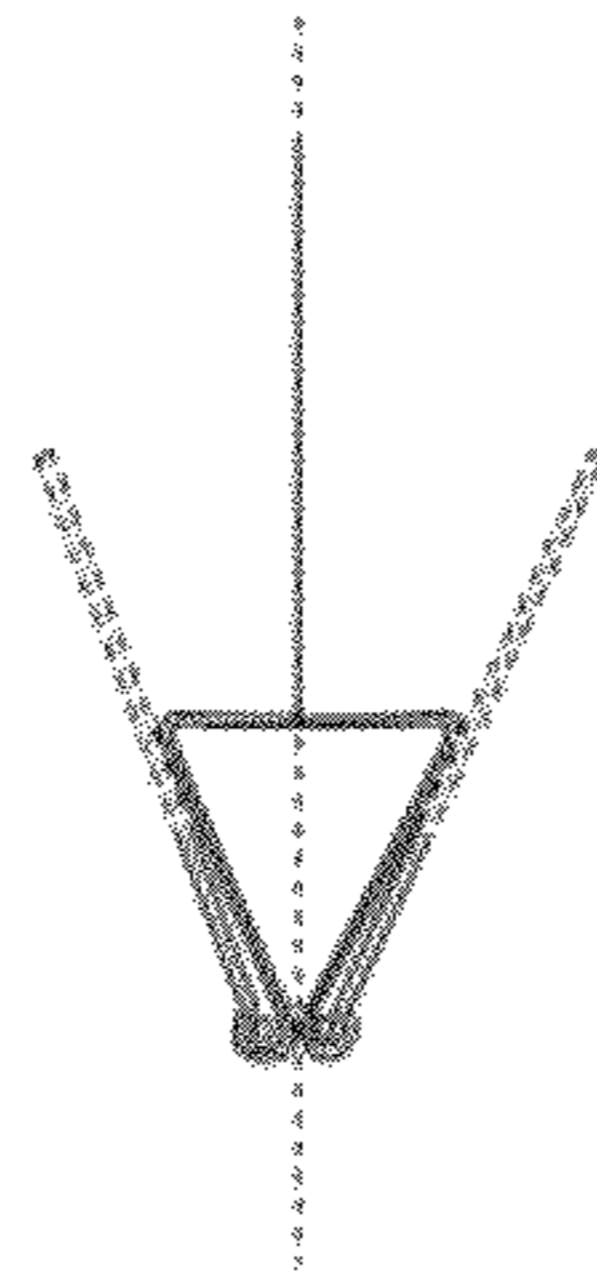


FIG. 26

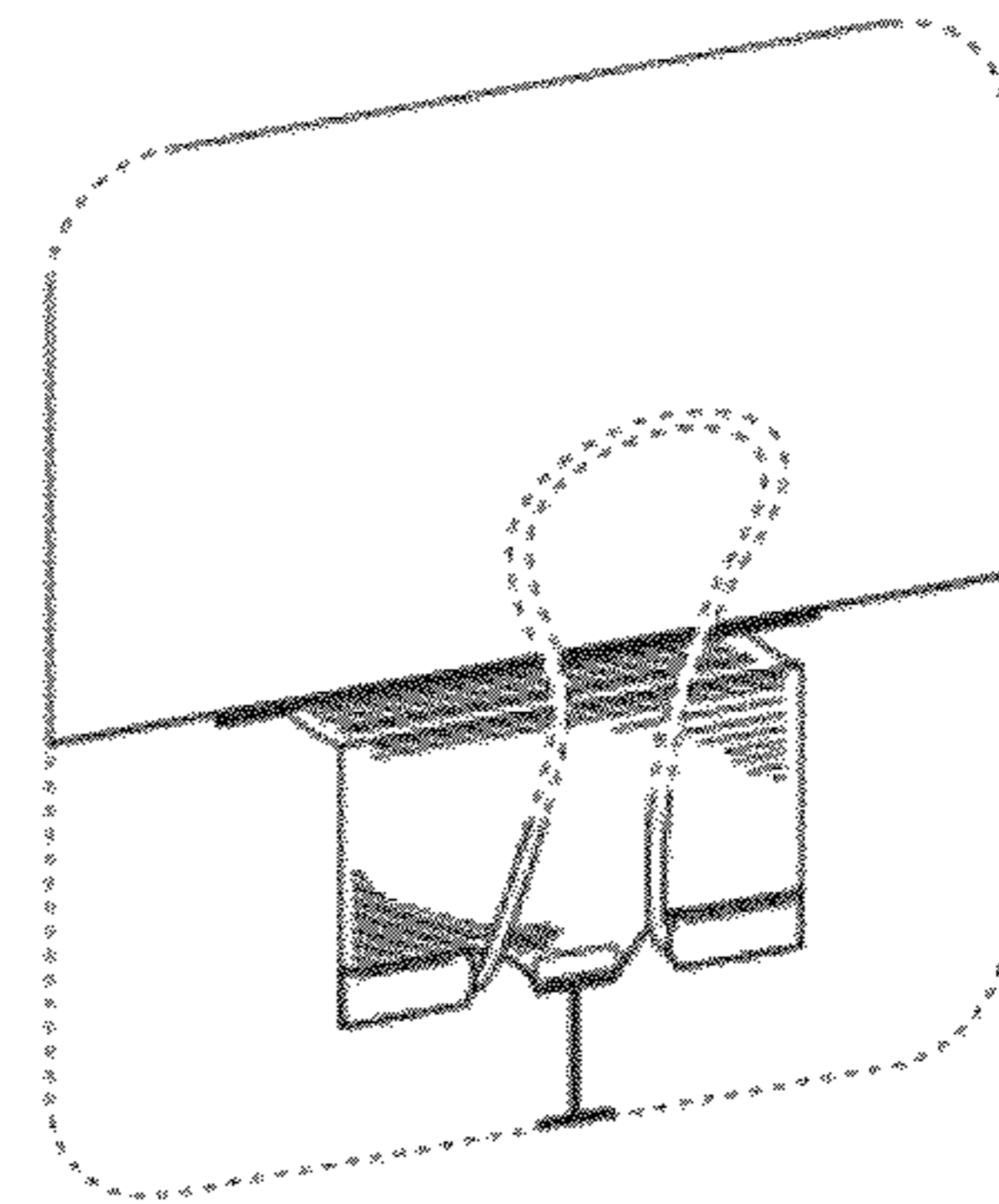


FIG. 27

FIG. 31



FIG. 32

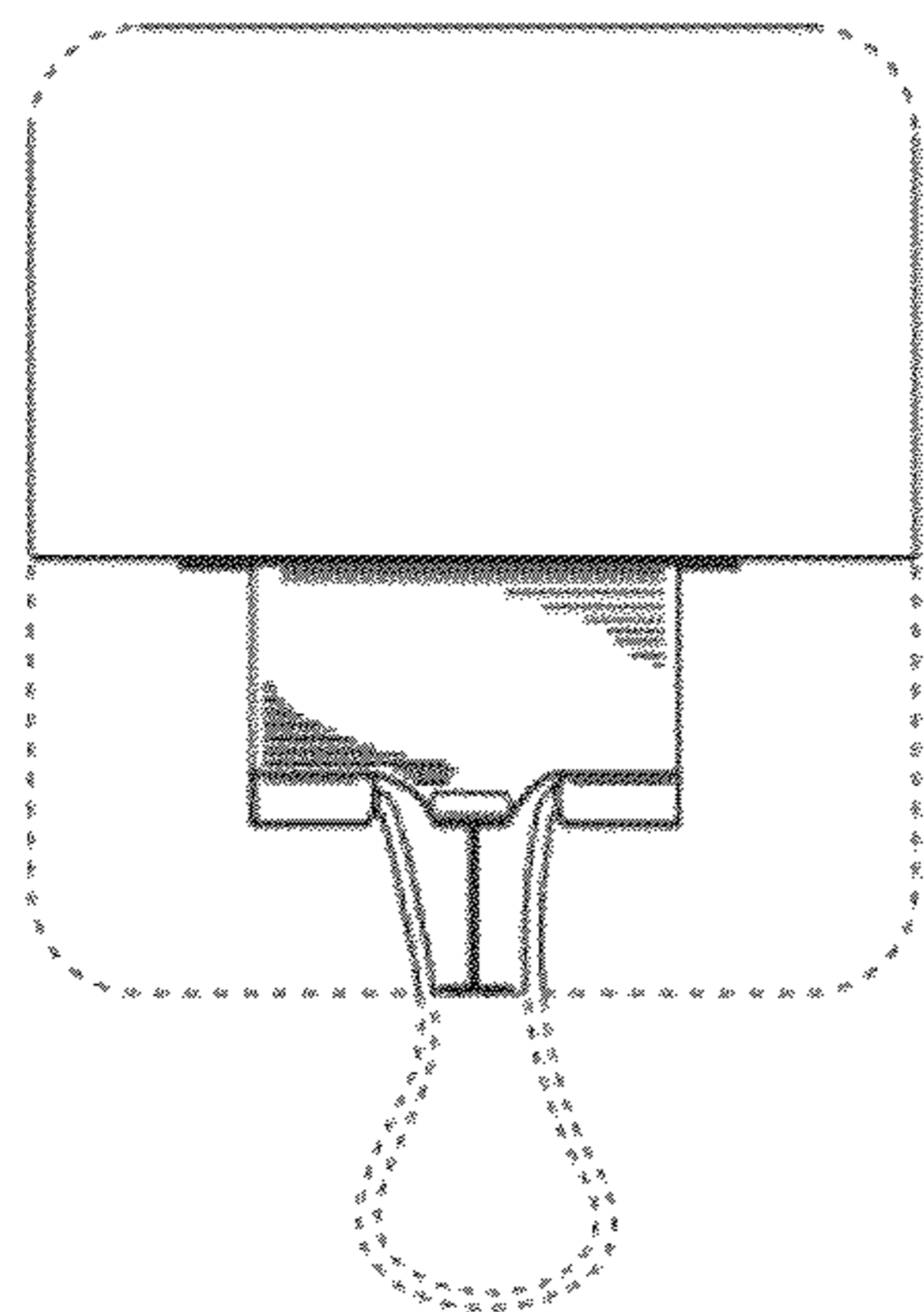


FIG. 28

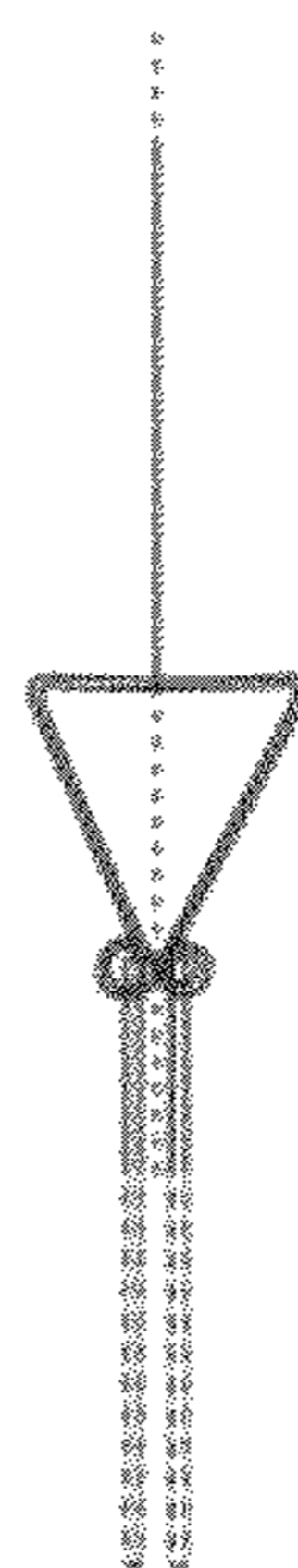


FIG. 29

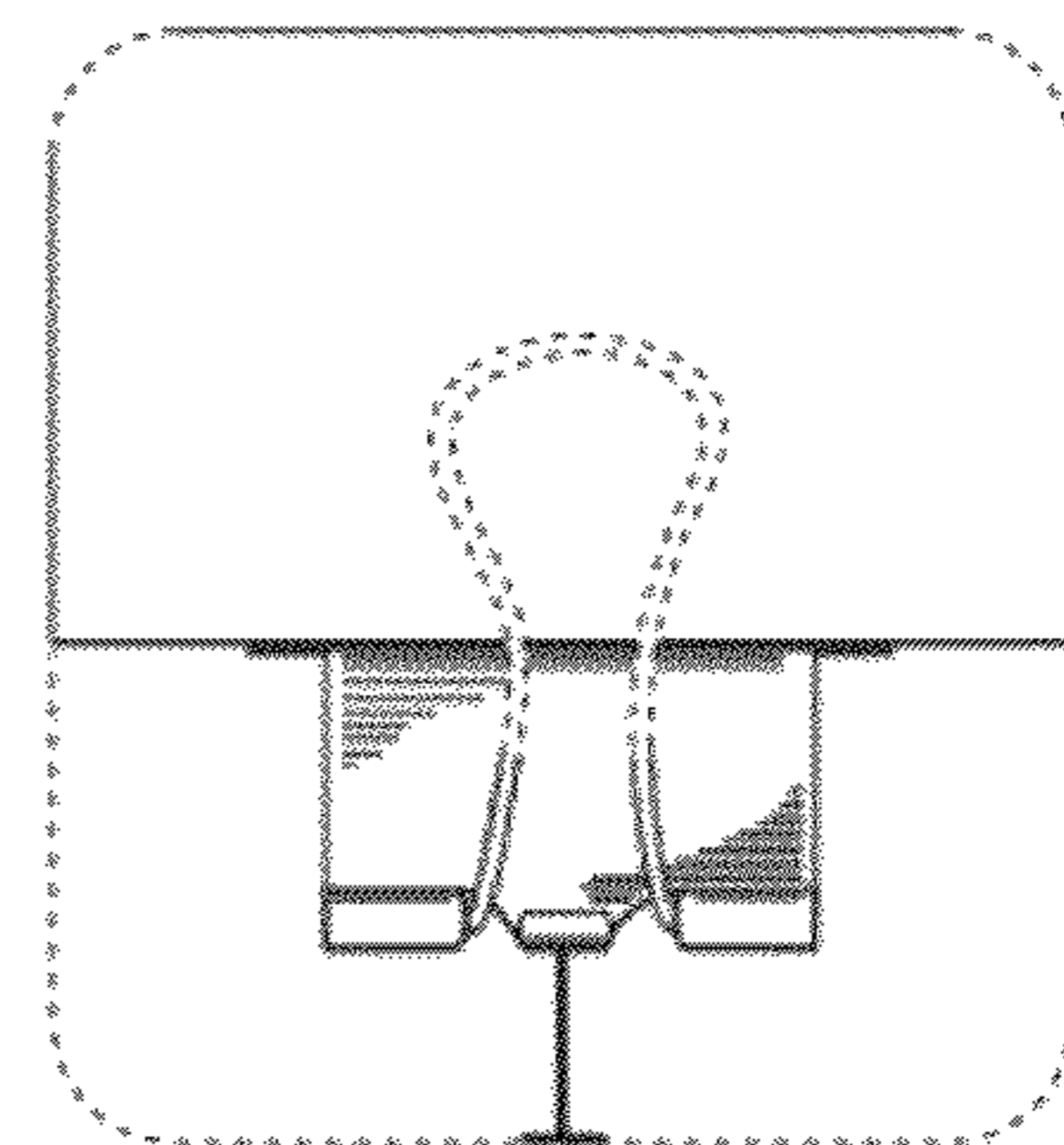


FIG. 30

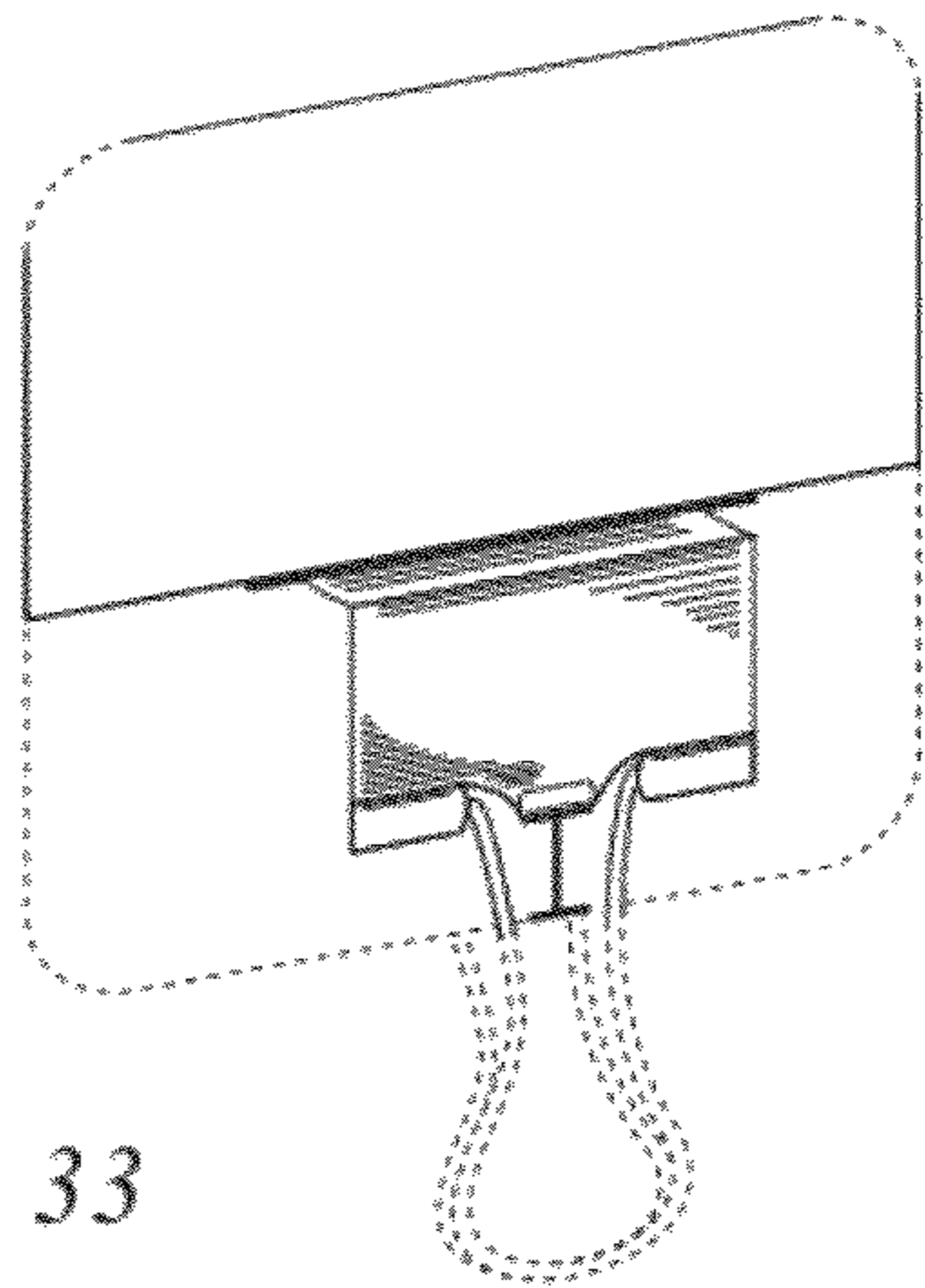


FIG. 33

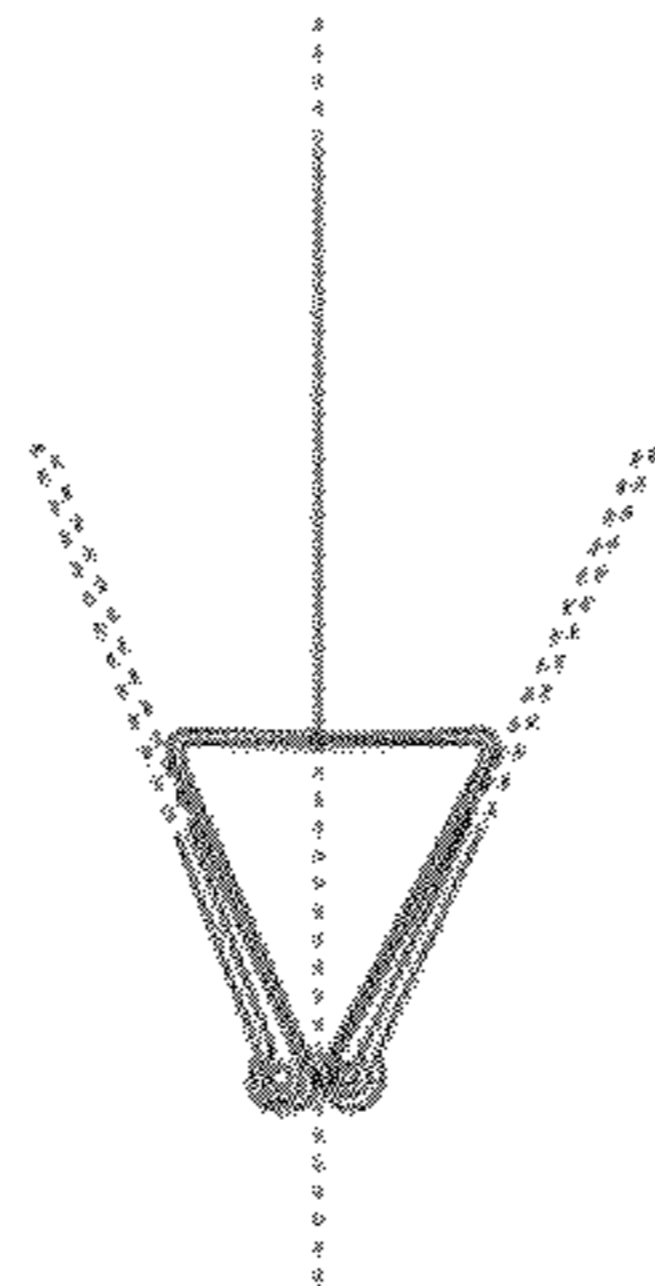


FIG. 34

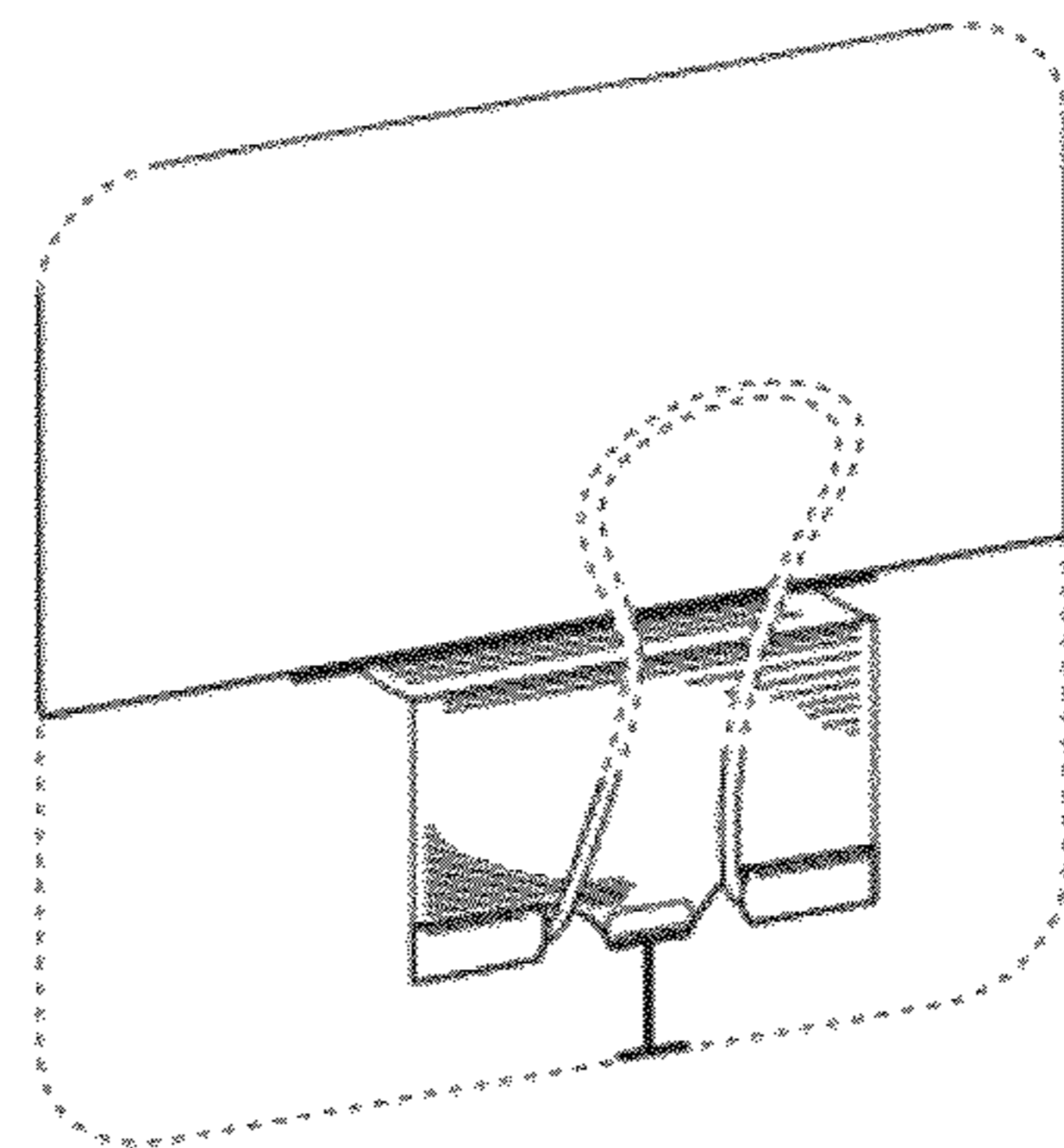


FIG. 35

FIG. 39

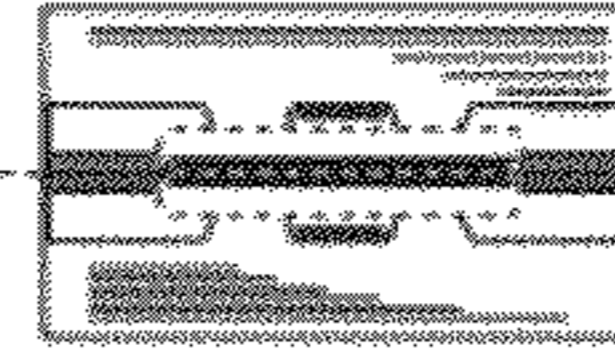


FIG. 40

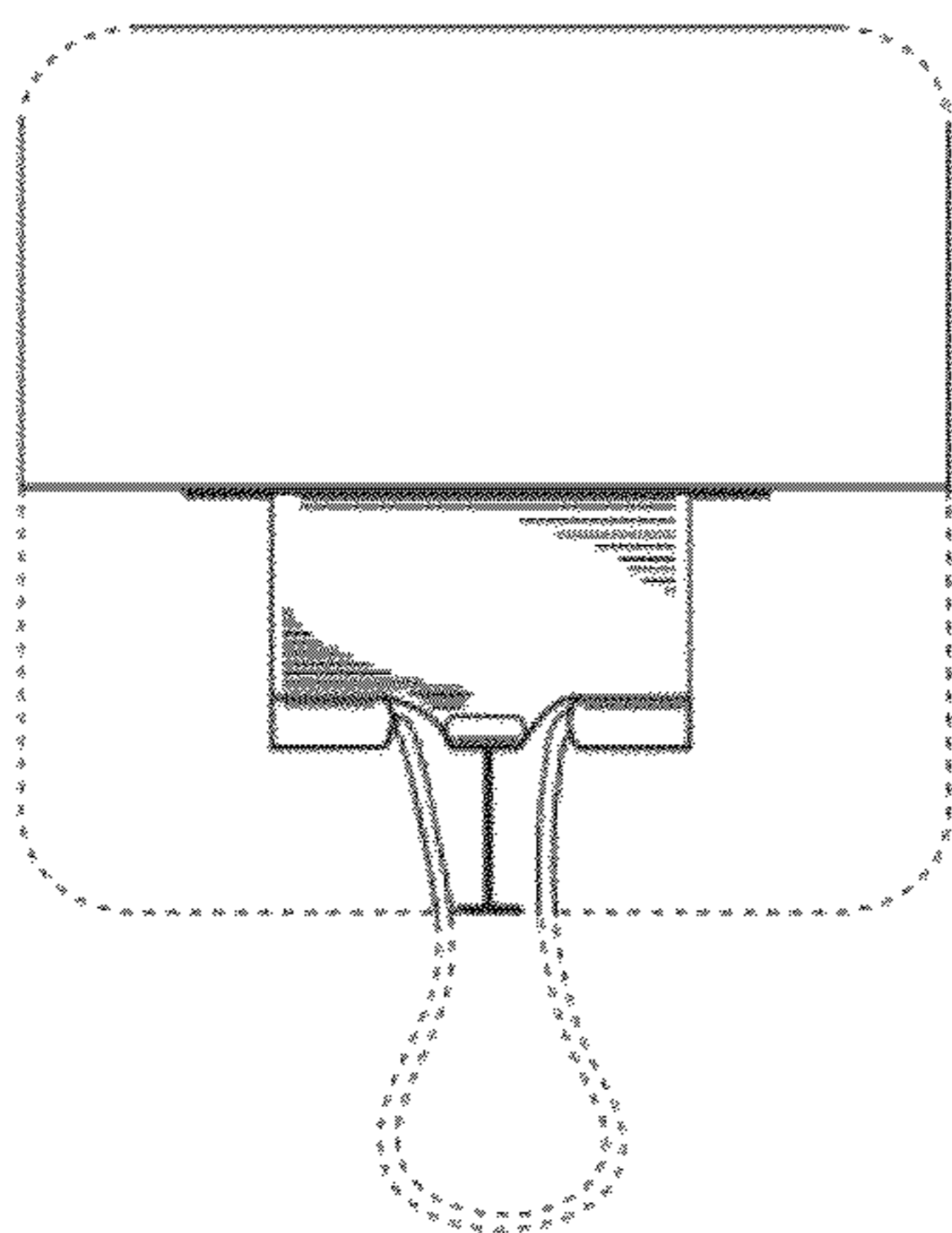


FIG. 36

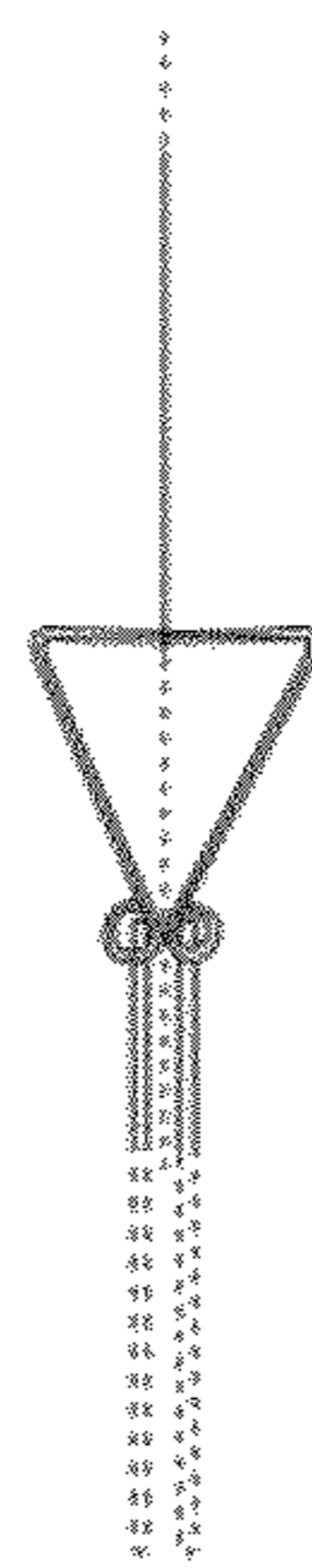


FIG. 37

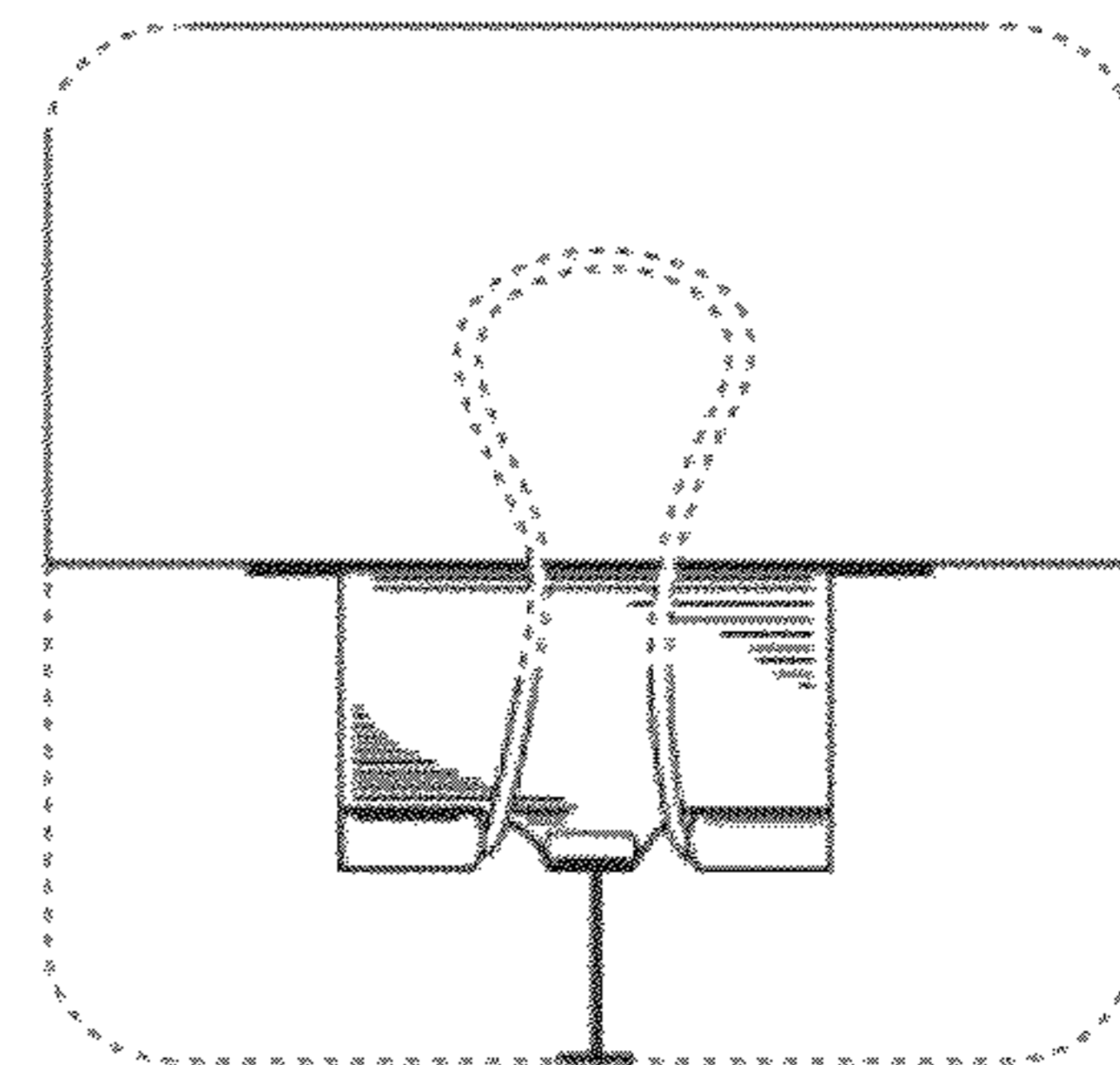


FIG. 38

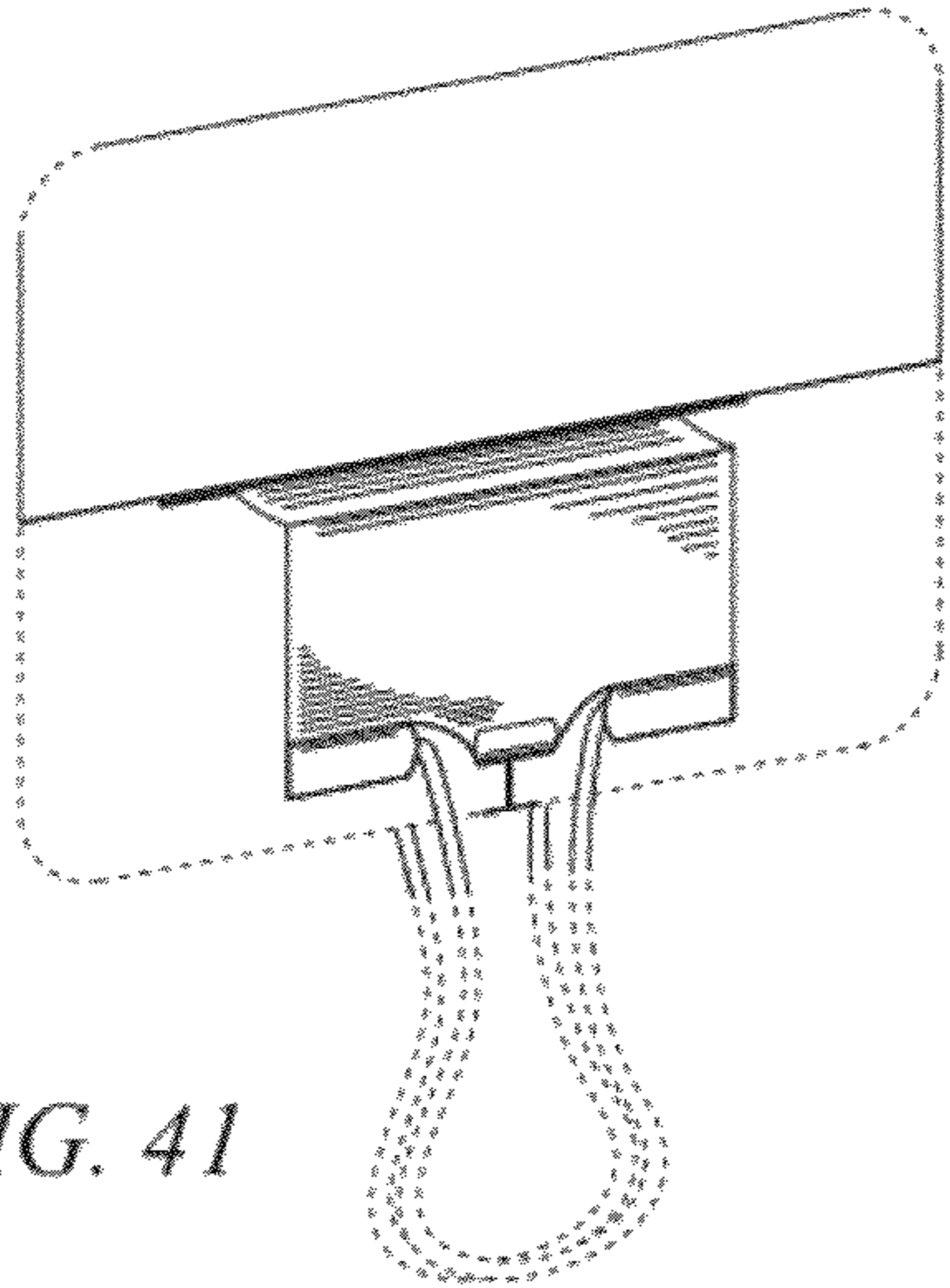


FIG. 41

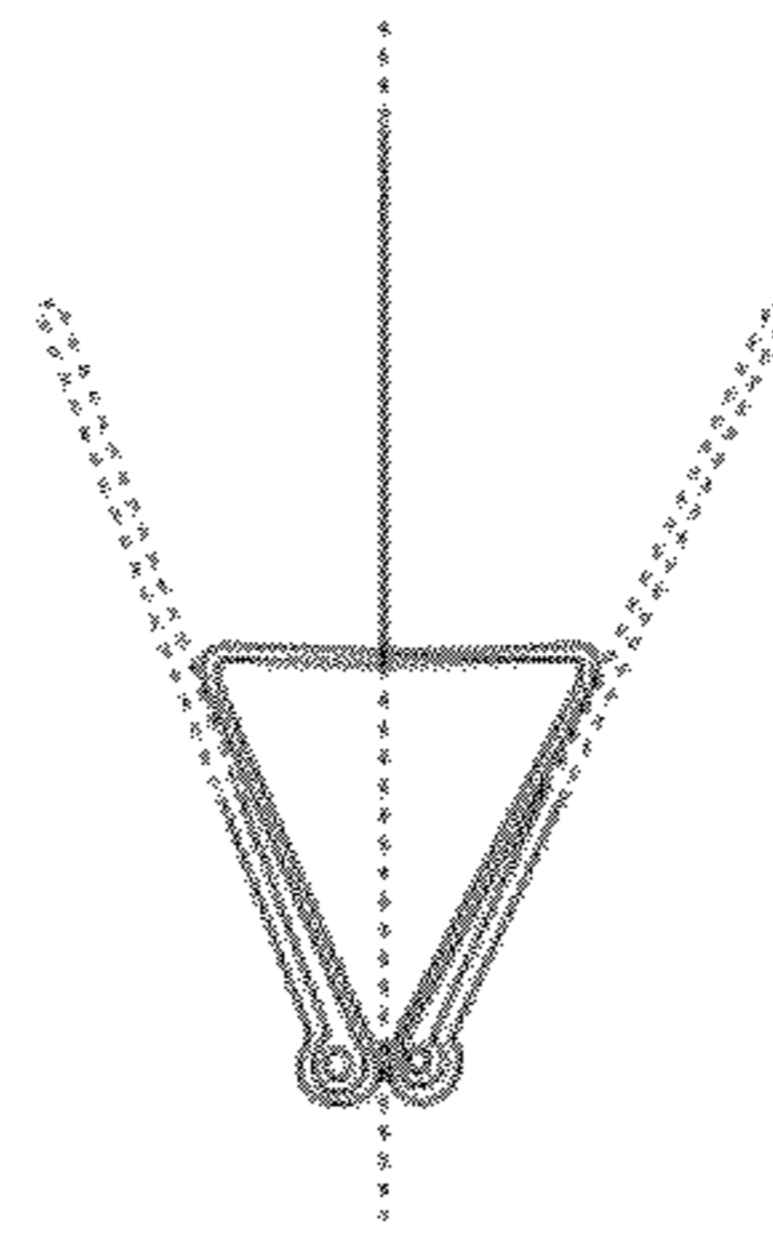


FIG. 42

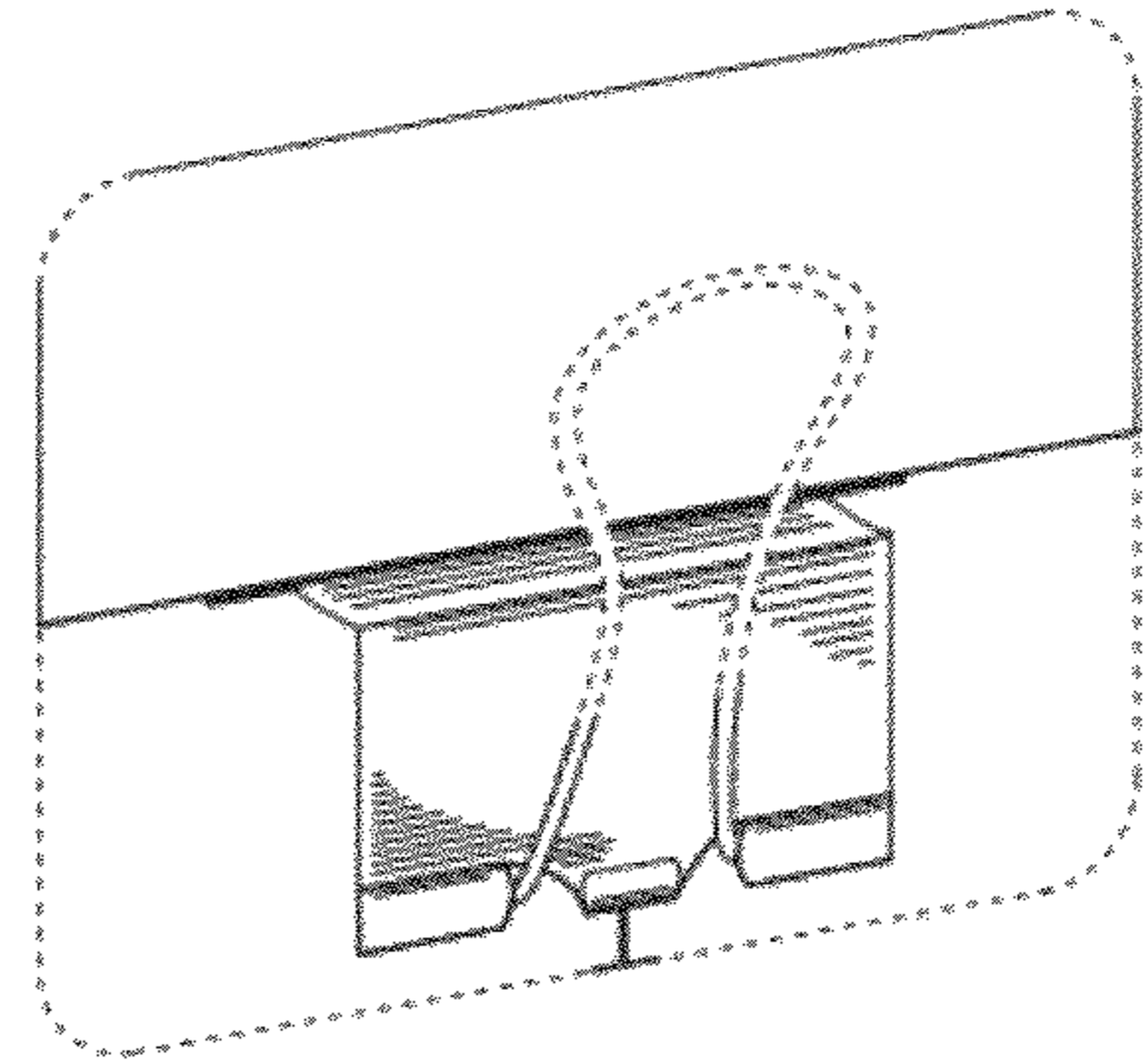


FIG. 43

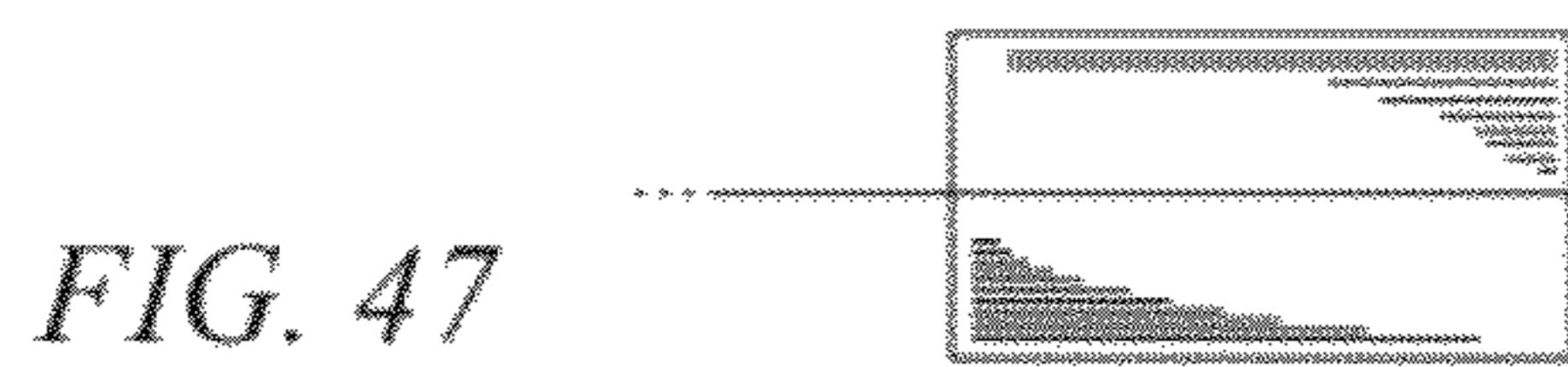


FIG. 47

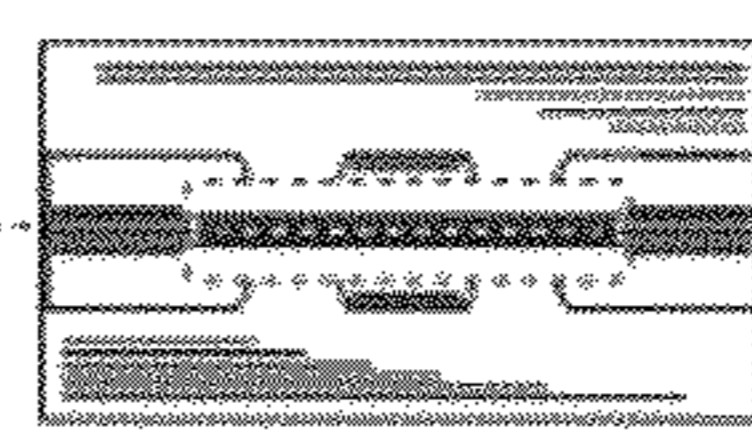


FIG. 48

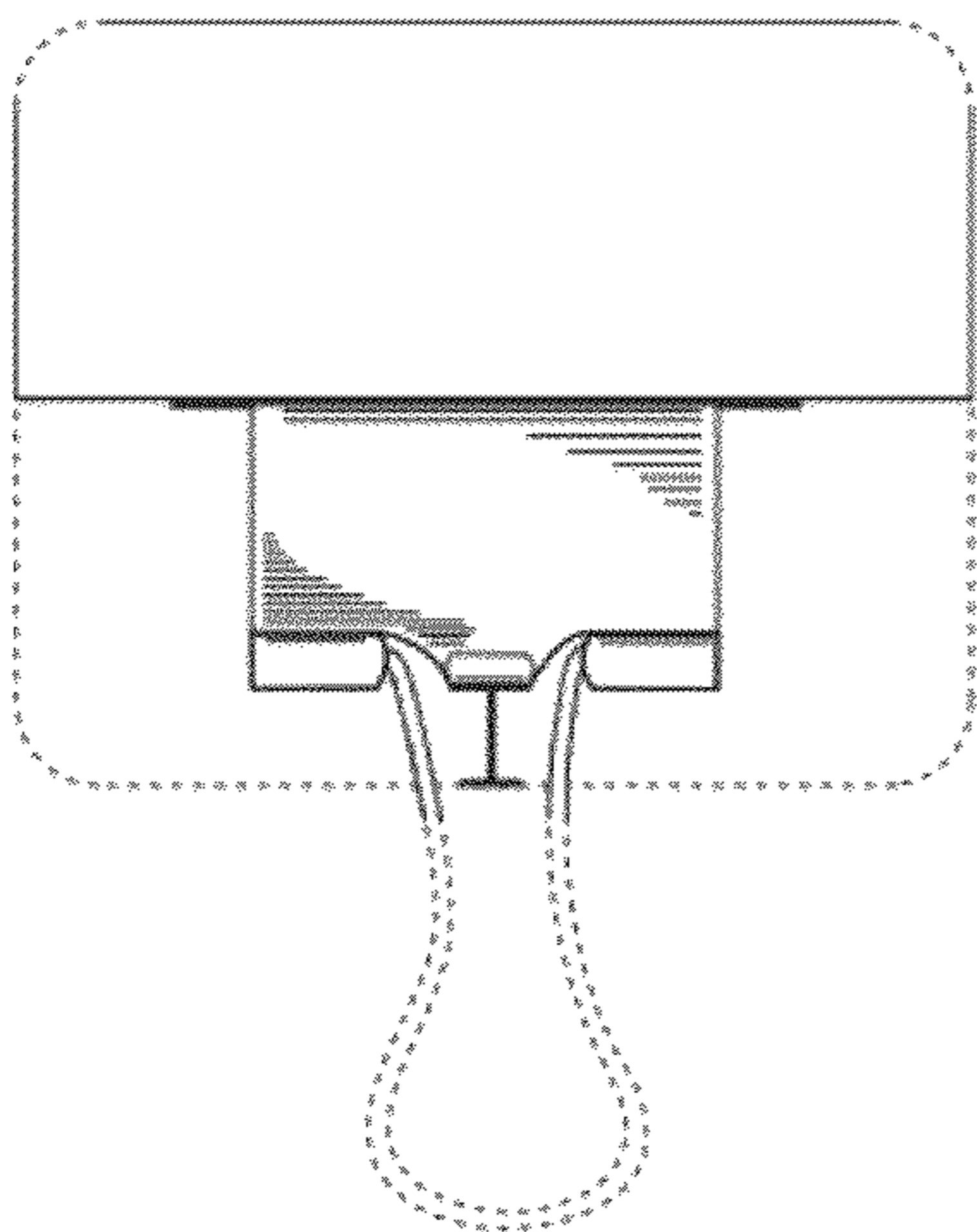


FIG. 44



FIG. 45

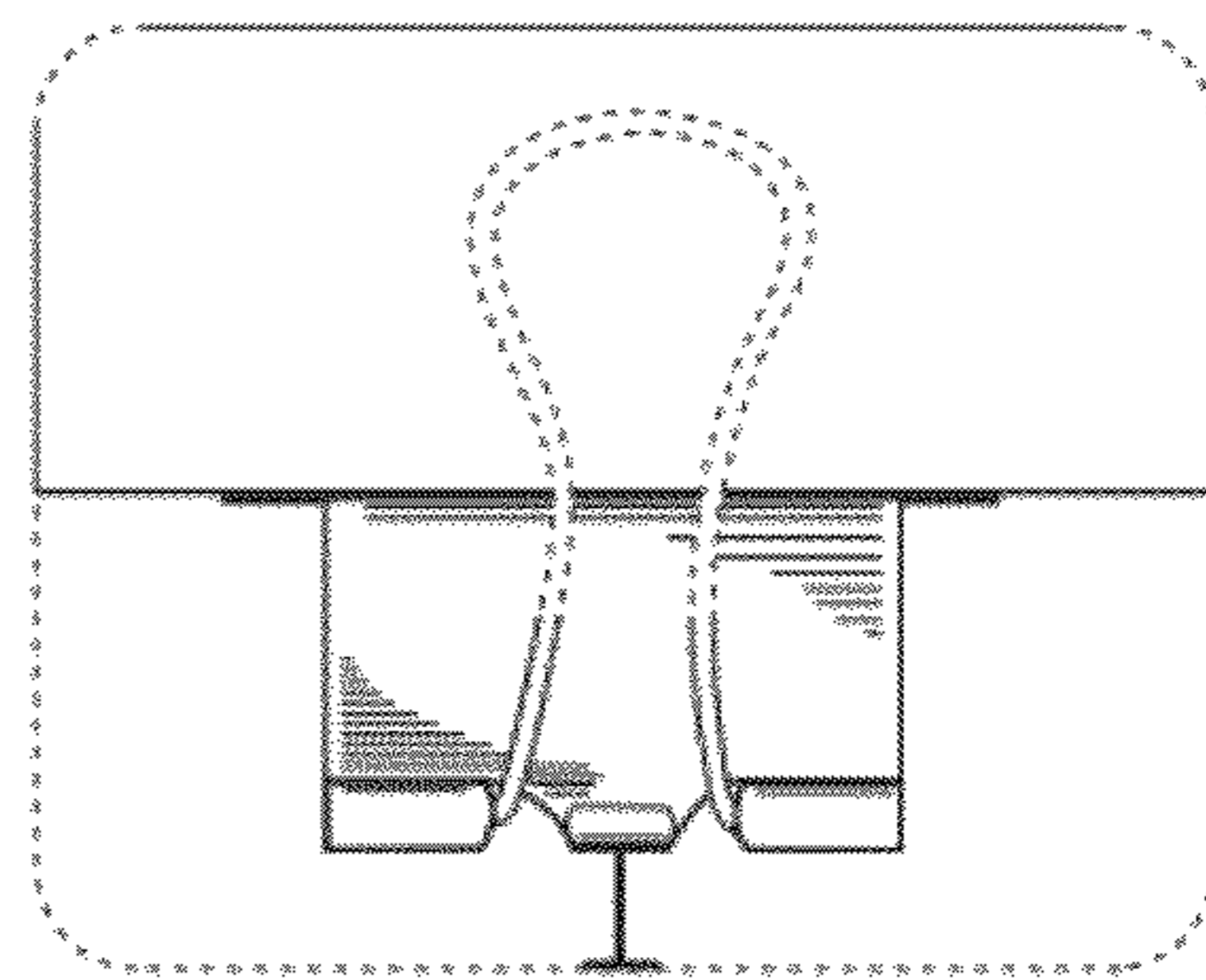


FIG. 46