

US00D664193S

(12) **United States Design Patent**
Larson et al.

(10) **Patent No.:** **US D664,193 S**
(45) **Date of Patent:** **** Jul. 24, 2012**

(54) **MULTI-FUNCTION IMAGING AND PRINTING DEVICE**

(75) Inventors: **David B. Larson**, Eagle, ID (US); **Kevin L. Falk**, Boise, ID (US); **Hao-Hua Zhu**, Shanghai (CN)

(73) Assignee: **Hewlett-Packard Development Company, L.P.**, Houston, TX (US)

(**) Term: **14 Years**

(21) Appl. No.: **29/376,866**

(22) Filed: **Oct. 13, 2010**

(51) **LOC (9) Cl.** **14-02**

(52) **U.S. Cl.** **D18/55**

(58) **Field of Classification Search** D14/420-425, D14/463-470; D18/14, 19, 36-37, 50, 54, D18/54.1, 55; 400/613, 613.1-613.4, 690, 400/690.1-690.4, 691-694

See application file for complete search history.

(56) **References Cited**

U.S. PATENT DOCUMENTS

D458,298 S * 6/2002 Katsuyama et al. D18/36
D459,752 S * 7/2002 Shiozaki D18/36
D473,587 S * 4/2003 Agata et al. D18/39

D526,351 S * 8/2006 Yamamoto et al. D18/55
D558,824 S * 1/2008 Alfonso et al. D18/55
D565,645 S * 4/2008 Kawamura et al. D18/39
D565,650 S * 4/2008 Tani D18/50
D607,050 S * 12/2009 Iritani D18/55

* cited by examiner

Primary Examiner — Cathy A MacCormac

(57) **CLAIM**

The ornamental design for a multi-function imaging and printing device, substantially as shown and described.

DESCRIPTION

FIG. 1 is a left-front perspective view of the design for the multi-function imaging and printing device with a control panel in a first position;

FIG. 2 is a front view thereof;

FIG. 3 is a rear view thereof;

FIG. 4 is a top view thereof;

FIG. 5 is a bottom view thereof;

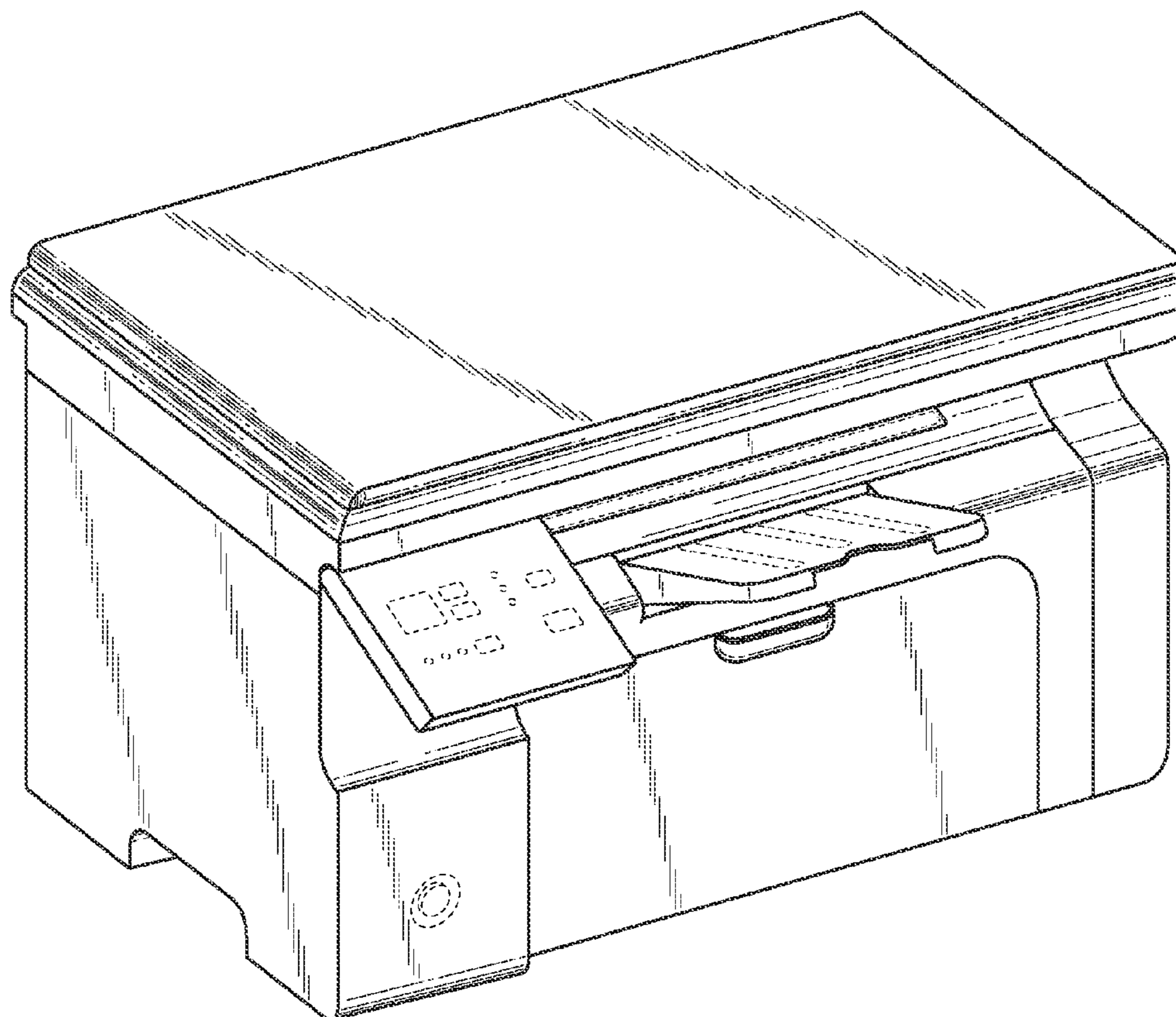
FIG. 6 is a left side view thereof;

FIG. 7 is a right side view thereof; and,

FIG. 8 is a left-front perspective view of the design for the multi-function imaging and printing device with the control panel in a second position.

The portions shown in broken lines are for illustrative purposes only and form no part of the claimed design.

1 Claim, 8 Drawing Sheets



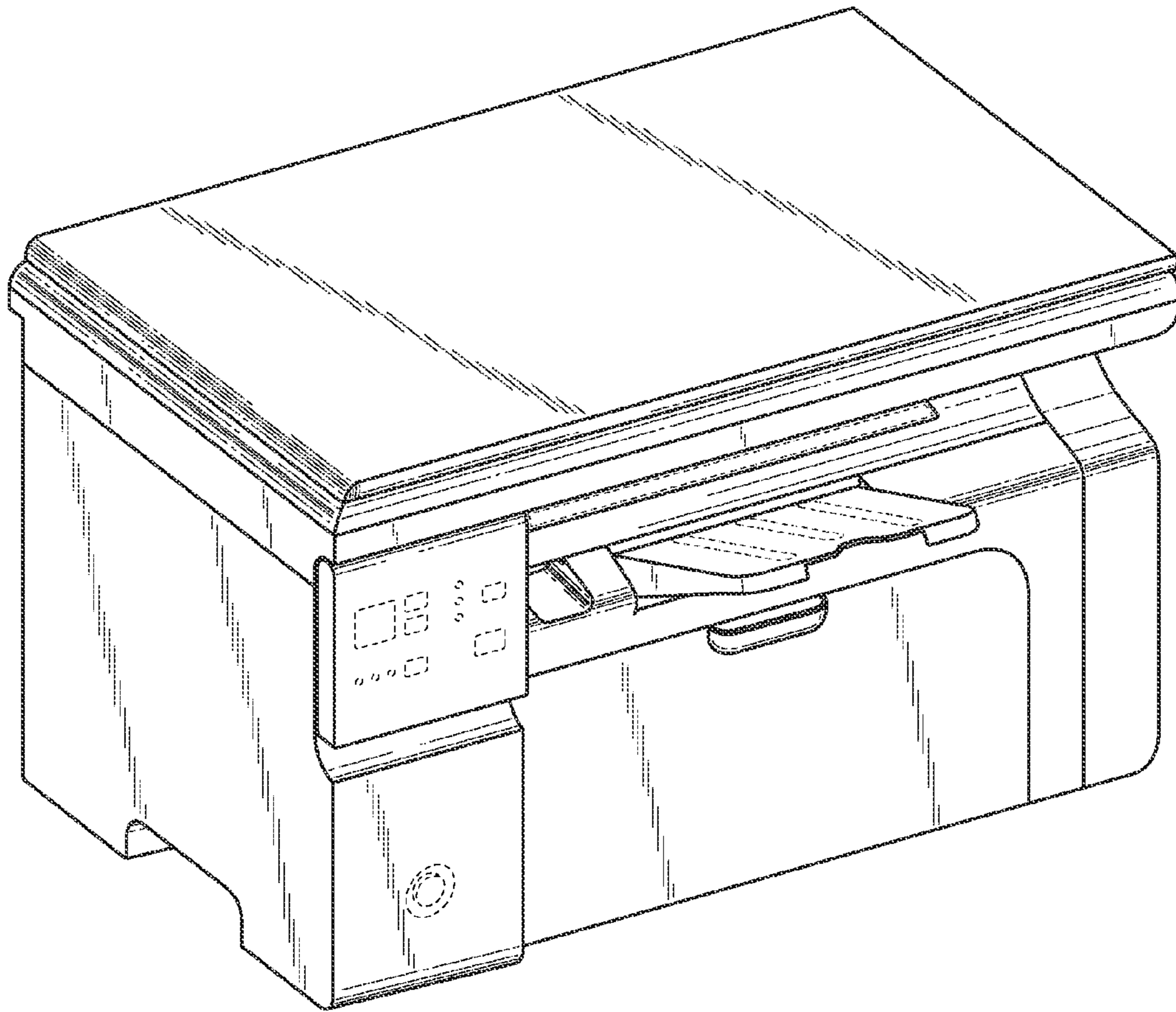


Fig. 1

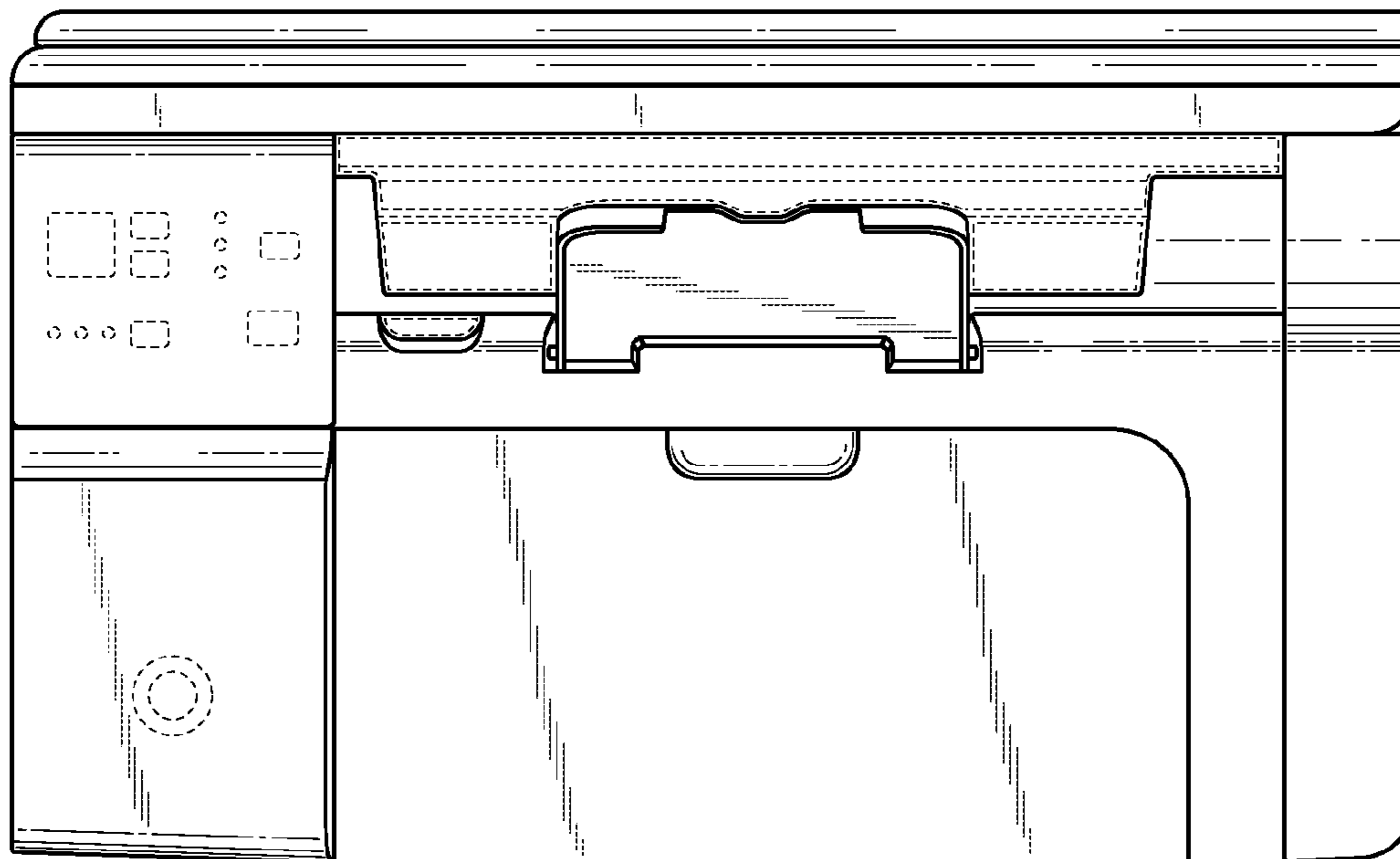


Fig. 2

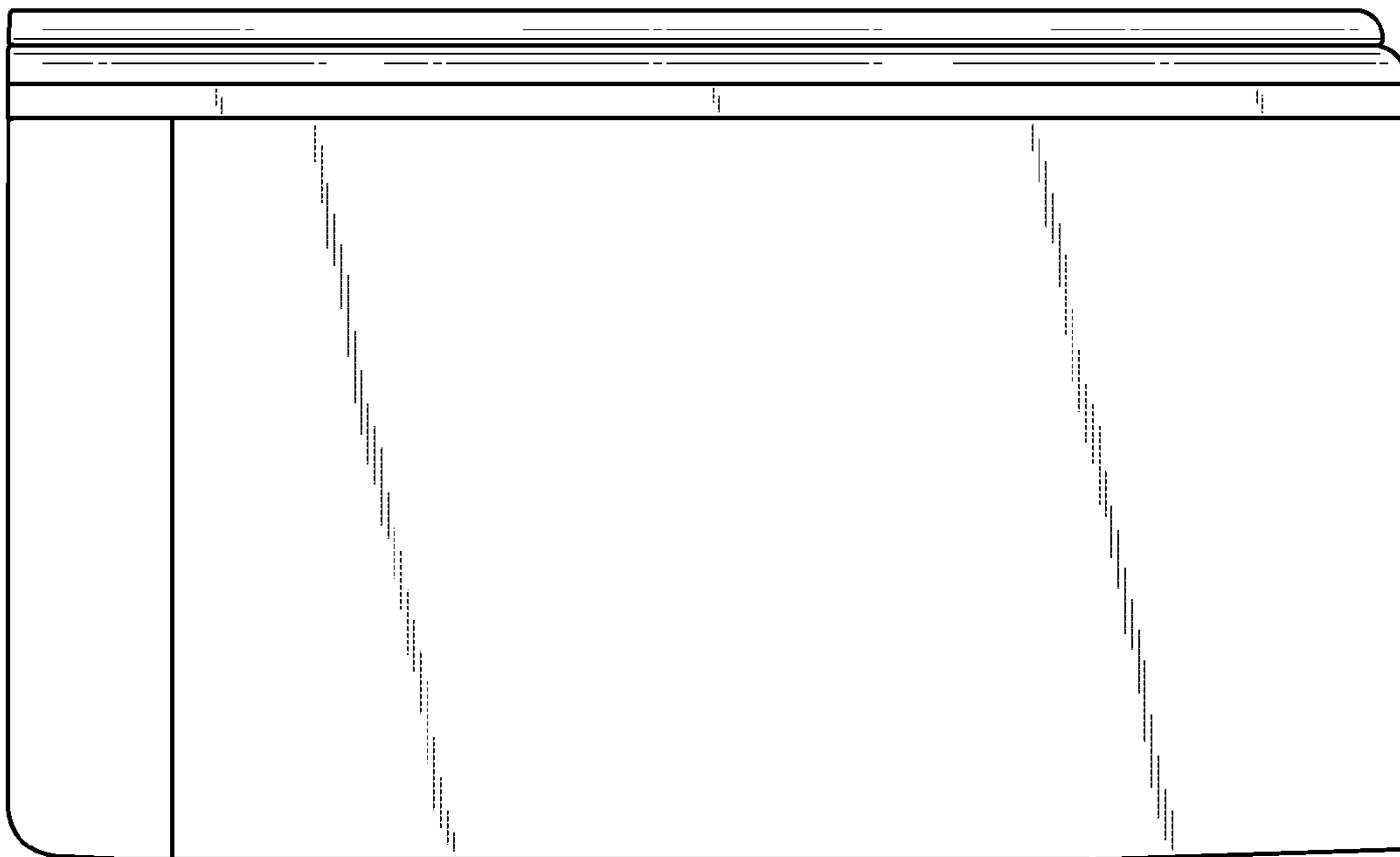


Fig. 3

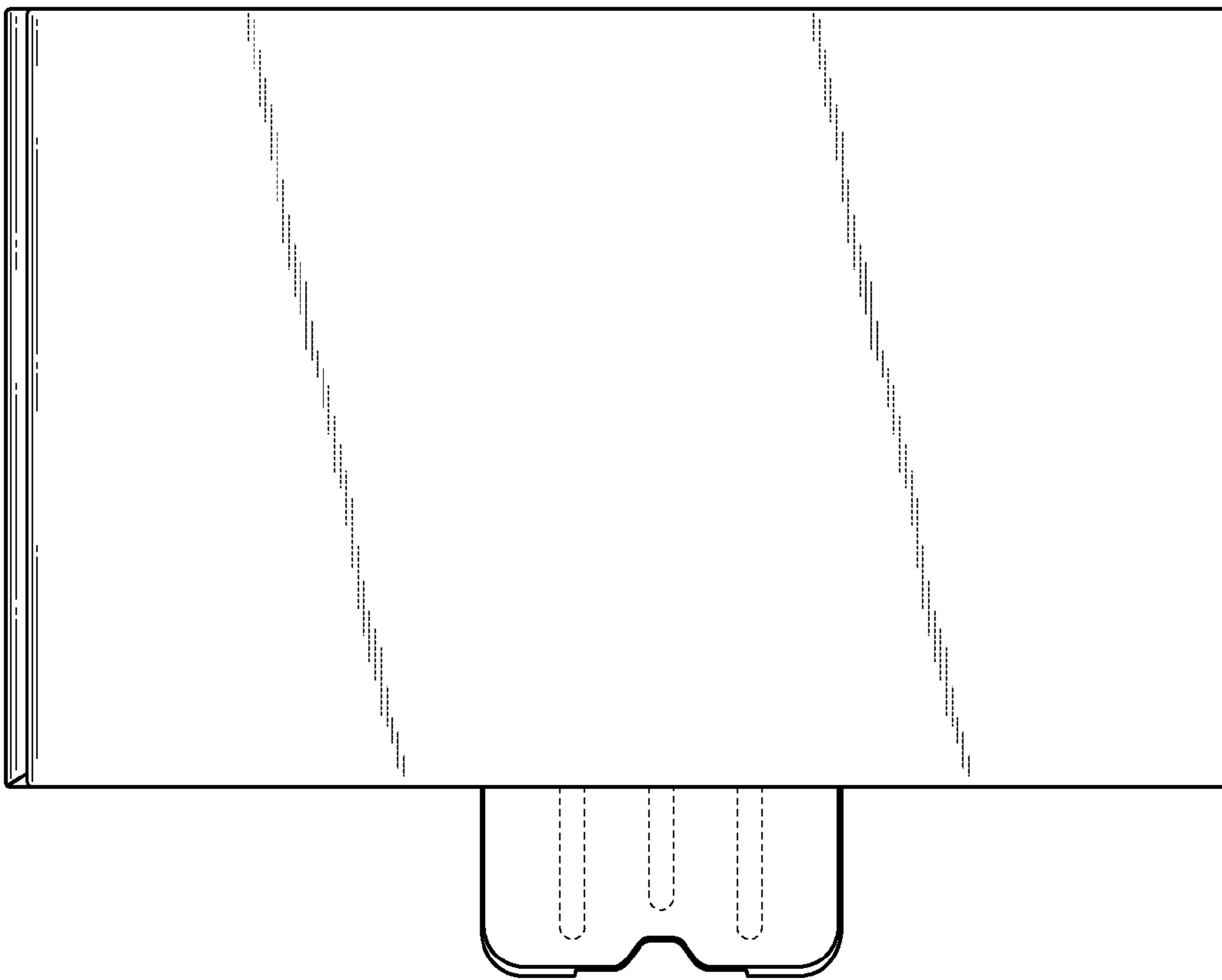


Fig. 4

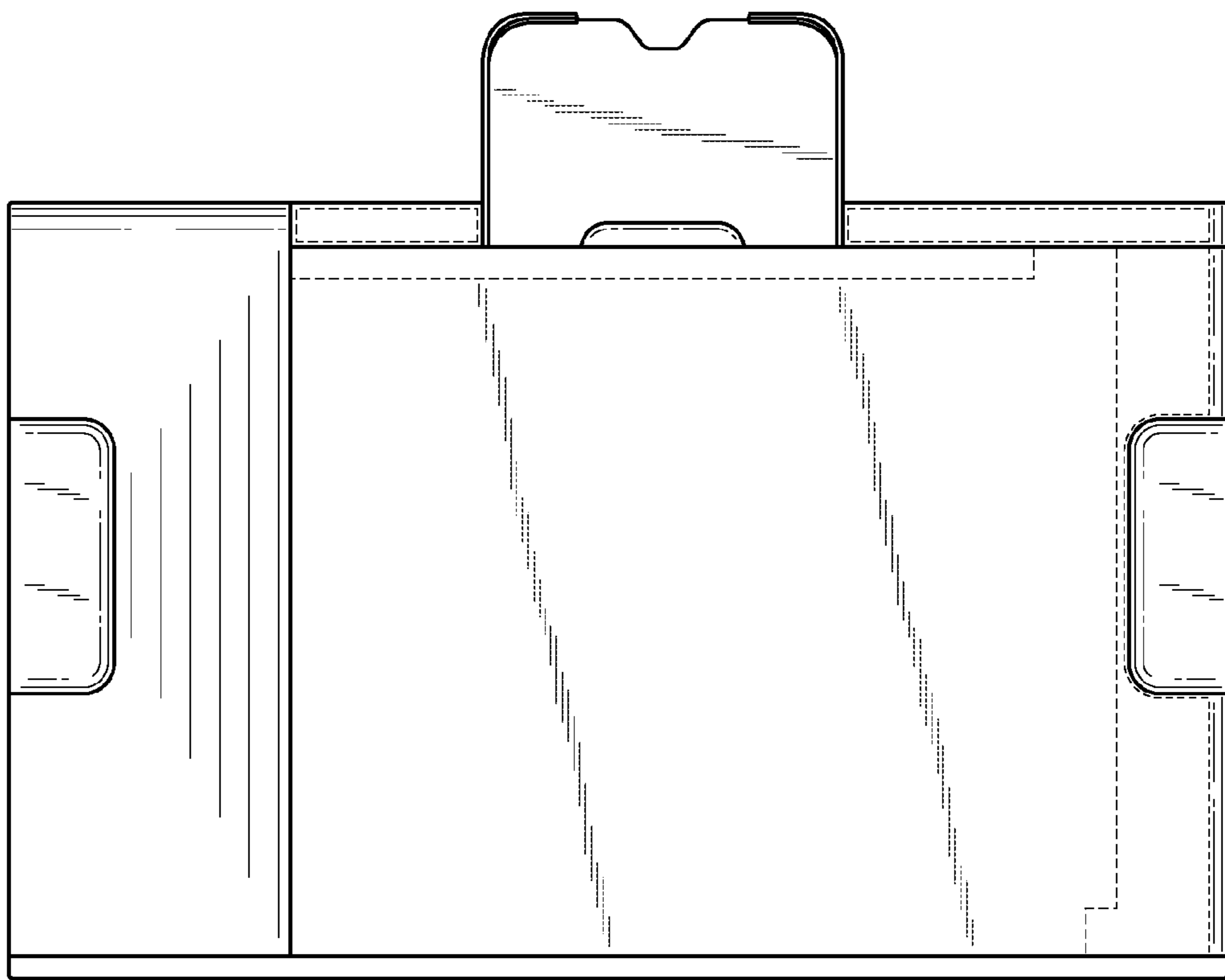


Fig. 5

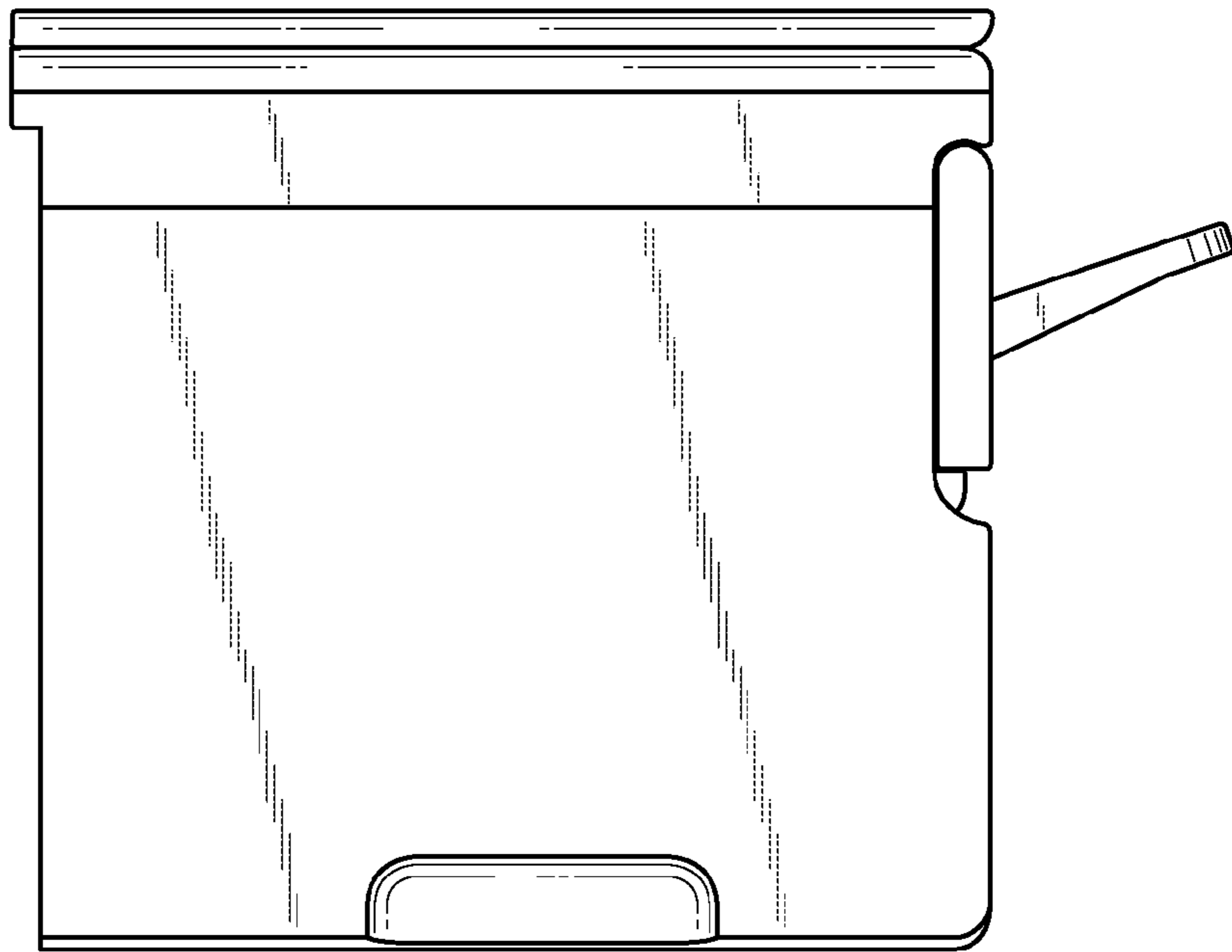


Fig. 6

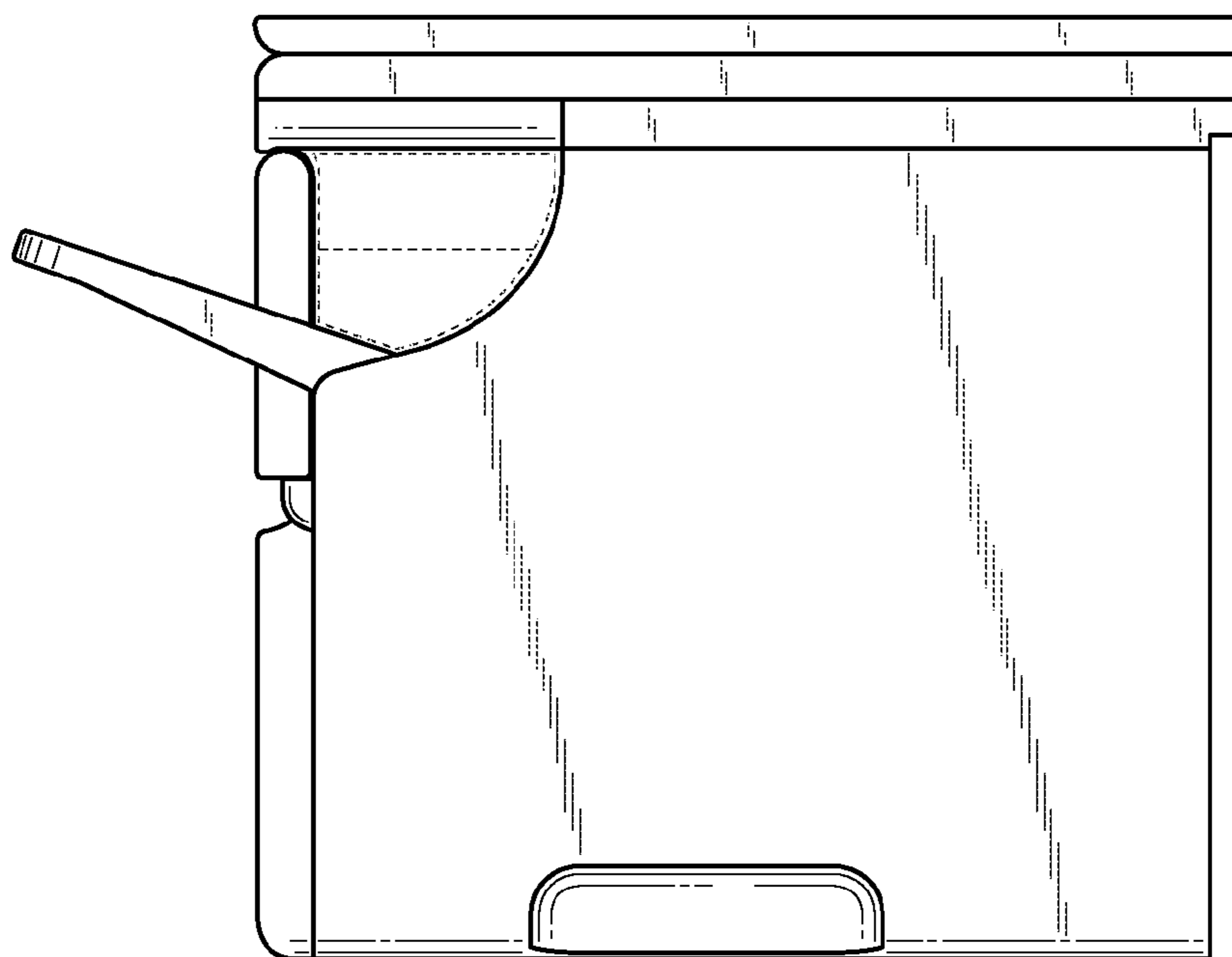


Fig. 7

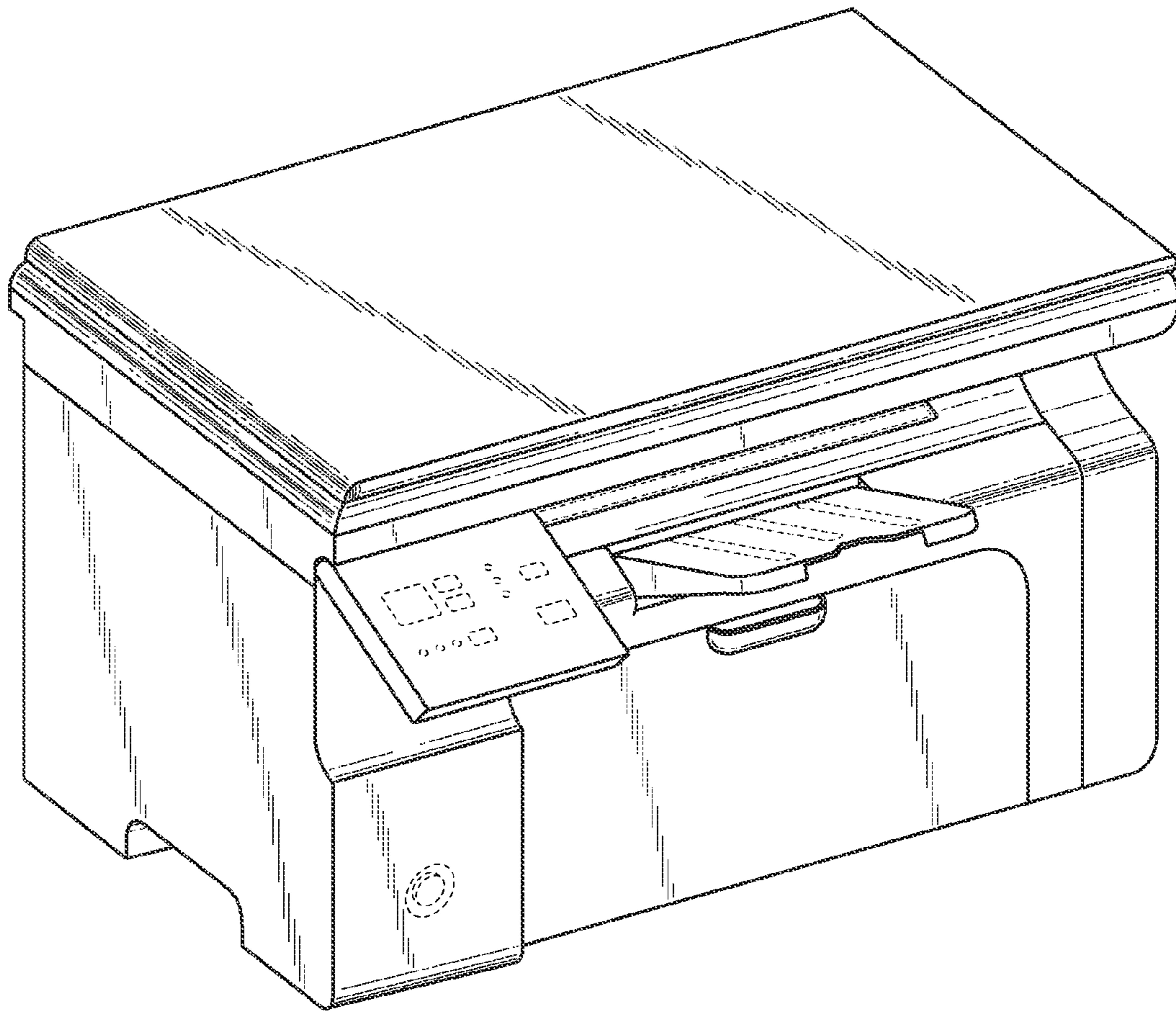


Fig. 8