

US00D664191S

(12) **United States Design Patent**
Saito et al.

(10) **Patent No.:** **US D664,191 S**
(45) **Date of Patent:** **** Jul. 24, 2012**

(54) **COPIER**

(75) Inventors: **Naoki Saito**, Osaka (JP); **Atsushi Kaseno**, Osaka (JP)

(73) Assignee: **Sharp Kabushiki Kaisha**, Osaka (JP)

(**) Term: **14 Years**

(21) Appl. No.: **29/385,527**

(22) Filed: **Feb. 15, 2011**

(30) **Foreign Application Priority Data**

Aug. 25, 2010 (JP) 2010-020495

(51) **LOC (9) Cl.** **16-03**

(52) **U.S. Cl.** **D18/39**

(58) **Field of Classification Search** D18/36-41,
D18/44-56; 222/DIG. 1; 271/3.14, 8.1,
271/226, 278; 355/97, 99; 358/1.1; 399/1-7,
399/16, 75, 81, 107, 130, 151, 361, 365,
399/367, 381-383, 388

See application file for complete search history.

(56) **References Cited**

U.S. PATENT DOCUMENTS

D257,984 S	1/1981	Kurozumi et al.	
D295,285 S	4/1988	Nishibori	
D296,901 S	7/1988	Kosako et al.	
D299,355 S	1/1989	Kosako et al.	
D315,363 S	3/1991	Kosako et al.	
D339,152 S	9/1993	Hirose et al.	
D423,040 S	4/2000	Ohta et al.	
D425,929 S *	5/2000	Imai	D18/36
D435,858 S	1/2001	Hatanaka et al.	
D447,765 S	9/2001	Hatanaka et al.	
D451,124 S *	11/2001	Isomoto	D18/39

D458,298 S *	6/2002	Katsuyama et al.	D18/36
D493,817 S	8/2004	Yoshida et al.	
D494,211 S	8/2004	Yoshida et al.	
D501,019 S	1/2005	Yoshida et al.	
D537,109 S	2/2007	Mizusugi et al.	
D537,866 S	3/2007	Matsuda et al.	
D538,330 S	3/2007	Hatanaka et al.	
D559,892 S *	1/2008	Horiguchi et al.	D18/39
D582,970 S	12/2008	Mizusugi et al.	
D626,588 S *	11/2010	Kim et al.	D18/39
2006/0159498 A1 *	7/2006	Takiguchi et al.	399/388

OTHER PUBLICATIONS

U.S. Appl. No. 29/385,520, filed Feb. 15, 2011. Pending.

U.S. Appl. No. 29/385,523, filed Feb. 15, 2011. Pending.

U.S. Appl. No. 29/385,960, filed Feb. 23, 2011. Pending.

* cited by examiner

Primary Examiner — Garth Rademaker

(74) *Attorney, Agent, or Firm* — Nixon & Vanderhye, P.C.

(57) **CLAIM**

The ornamental design for a “copier,” as shown and described.

DESCRIPTION

FIG. 1 is a right, top, front perspective view of a copier in accordance with our design;

FIG. 2 is a front elevation view thereof;

FIG. 3 is a rear elevation view thereof;

FIG. 4 is a top plan view thereof;

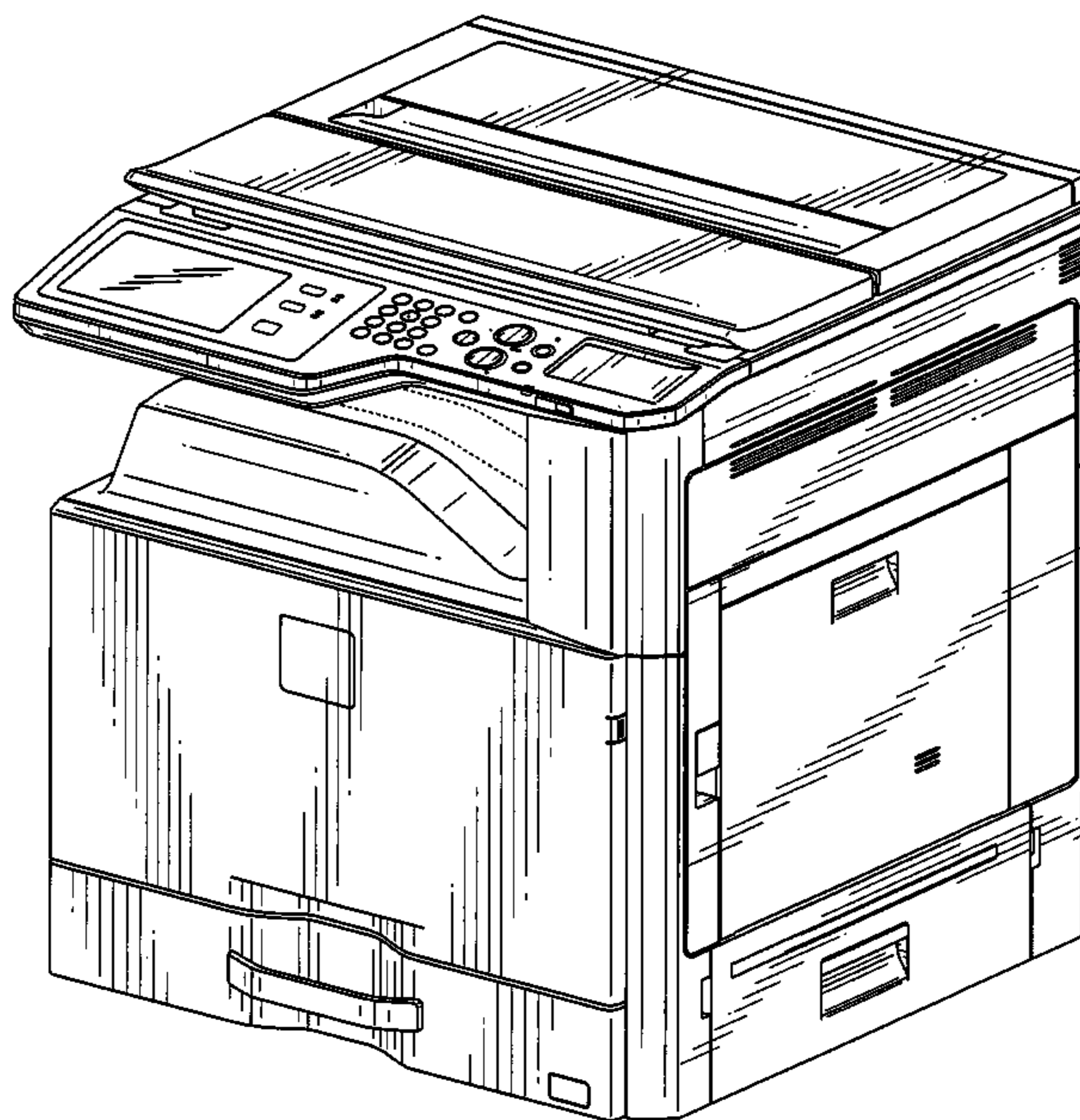
FIG. 5 is a bottom plan view thereof;

FIG. 6 is a right side elevation view thereof; and,

FIG. 7 is a left side elevation view thereof.

The broken lines depict environmental subject matter only and form no part of the claimed design.

1 Claim, 7 Drawing Sheets



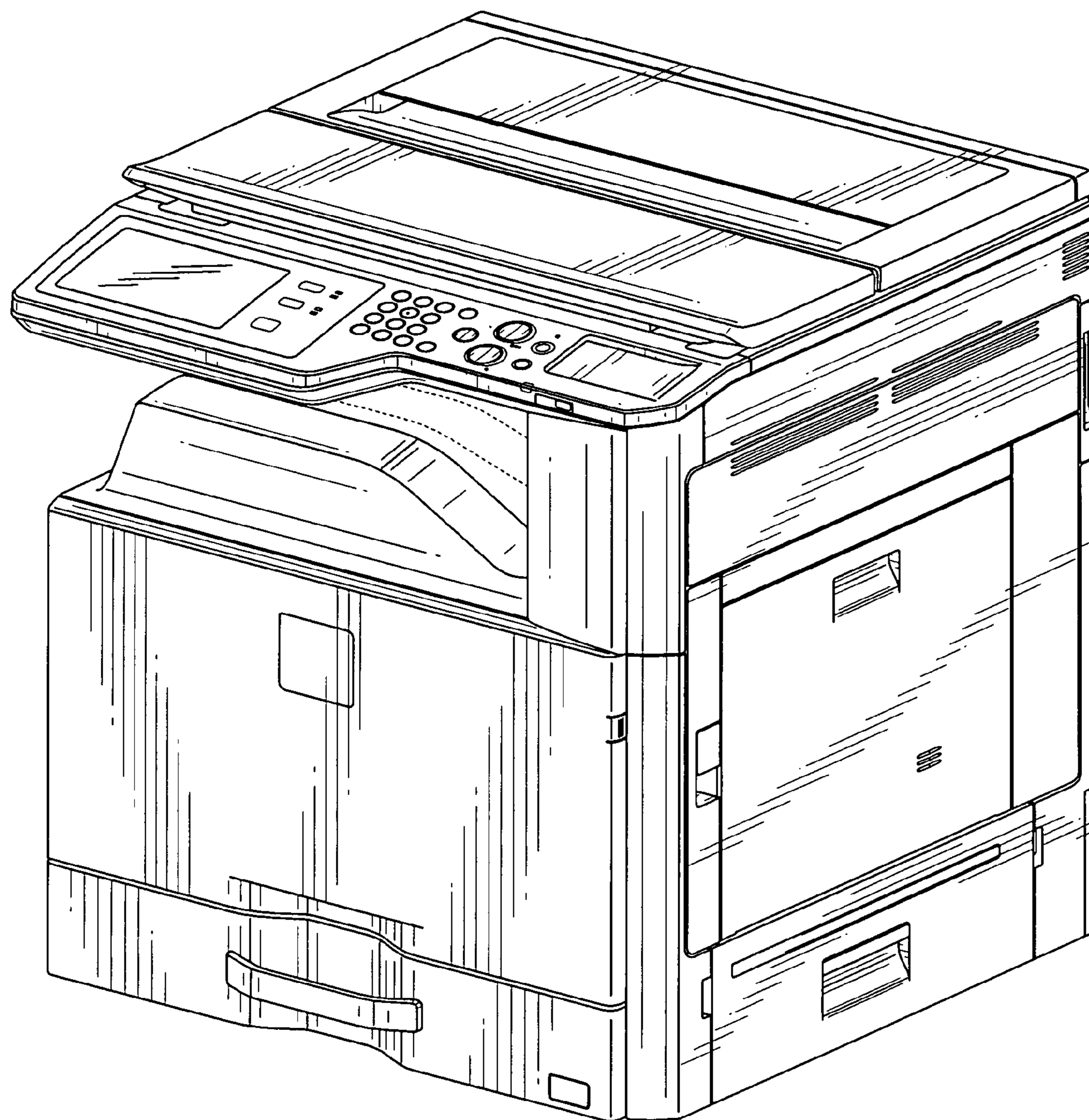


FIG. 1

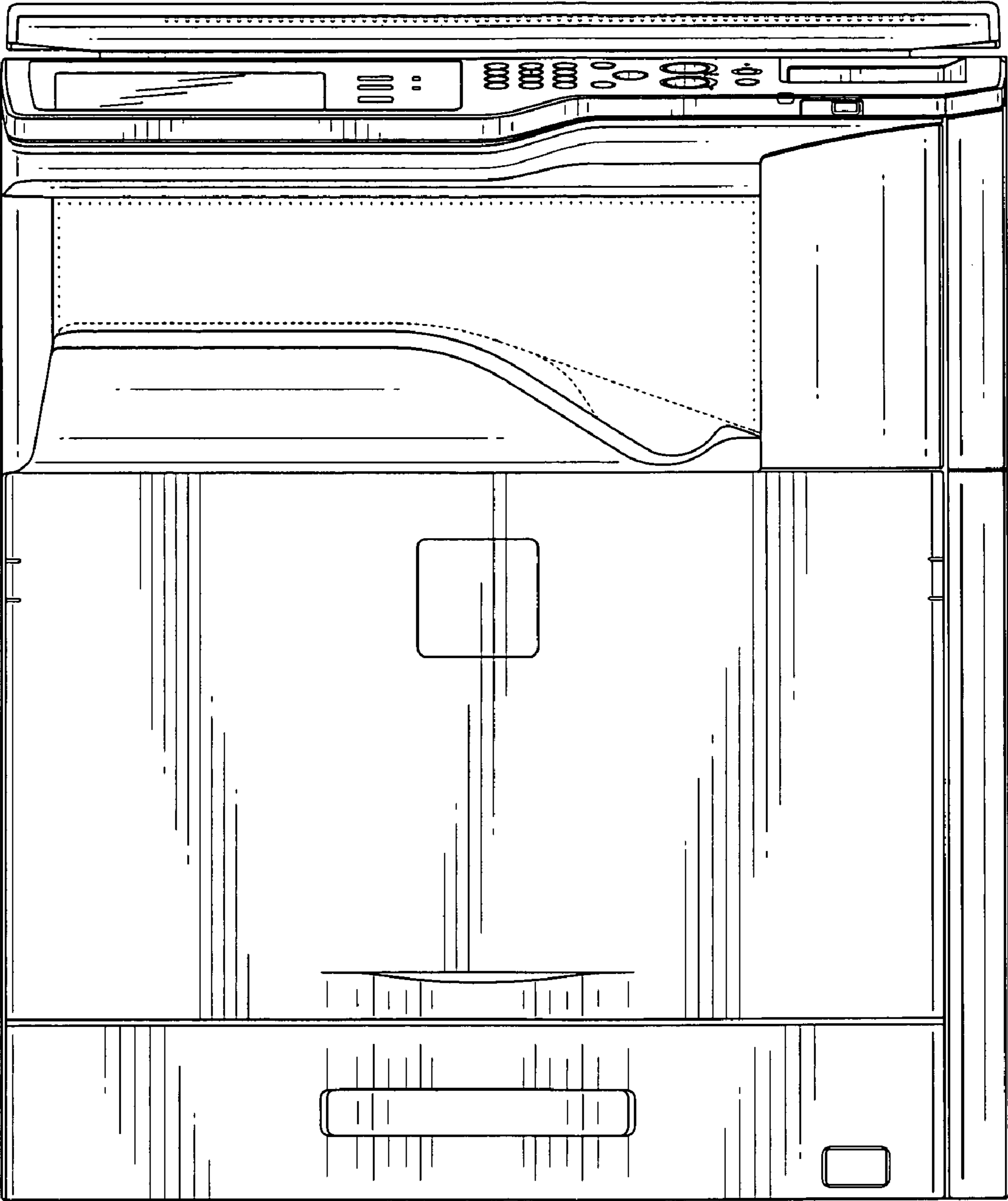


FIG. 2

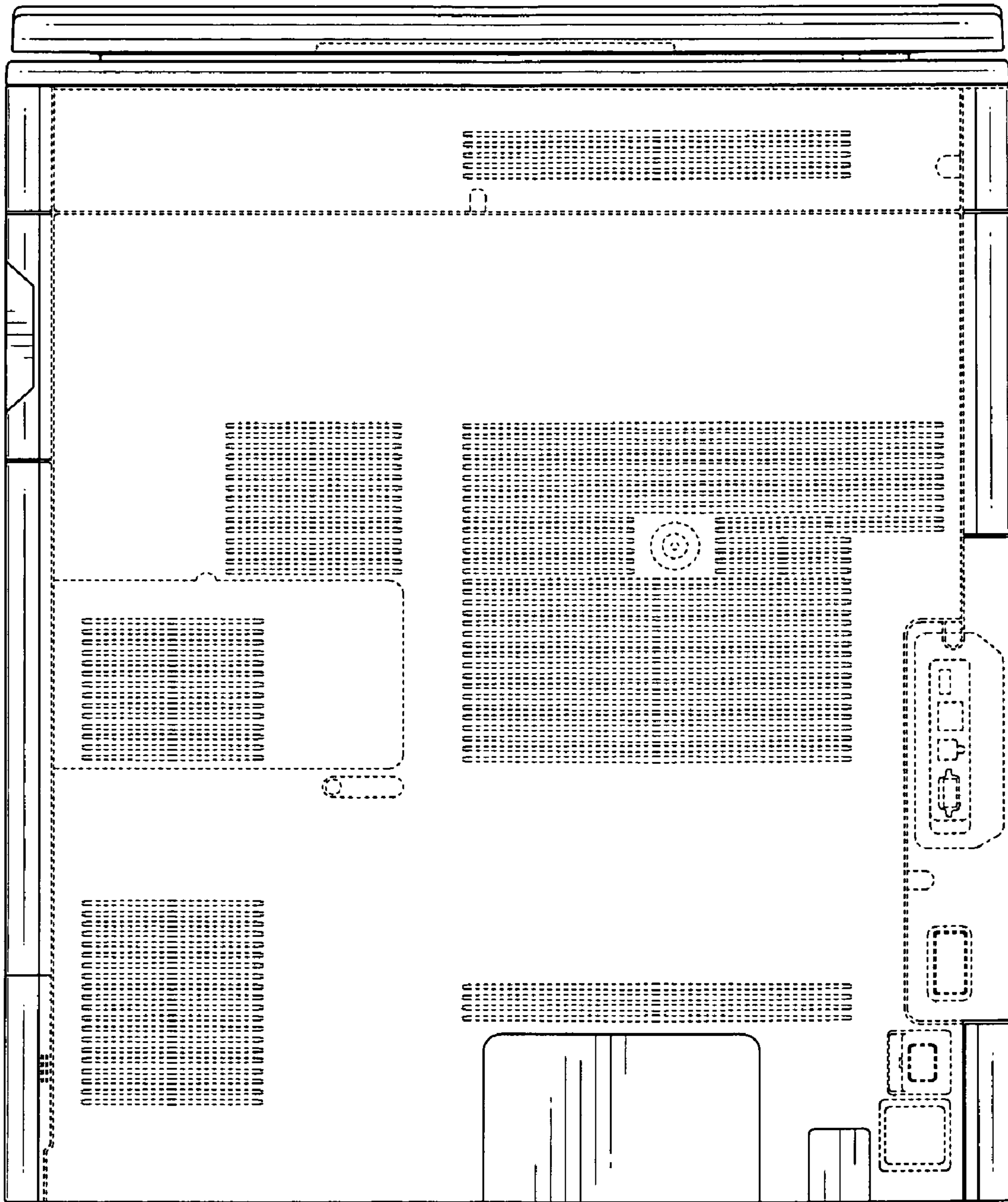


FIG. 3

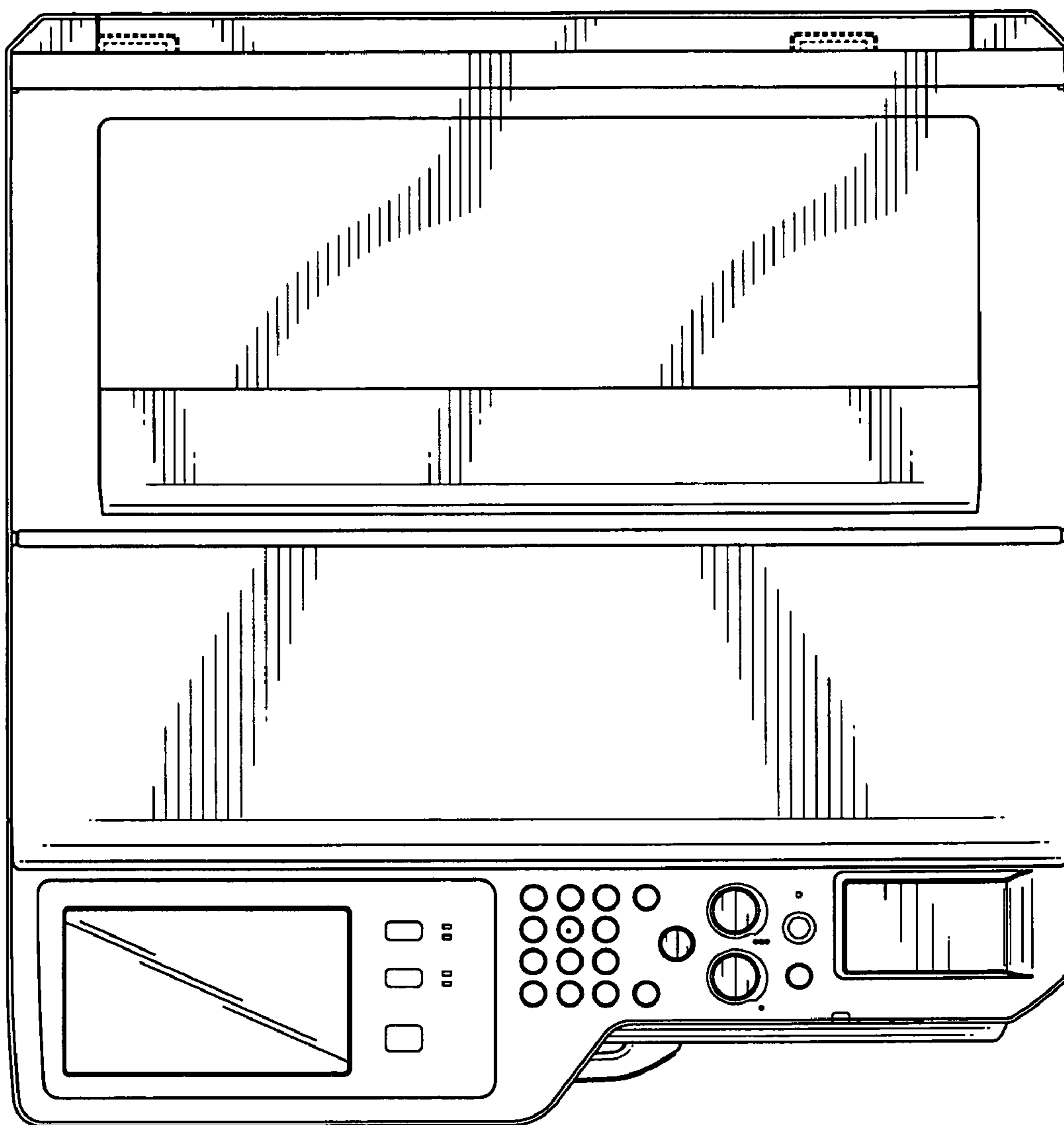


FIG. 4

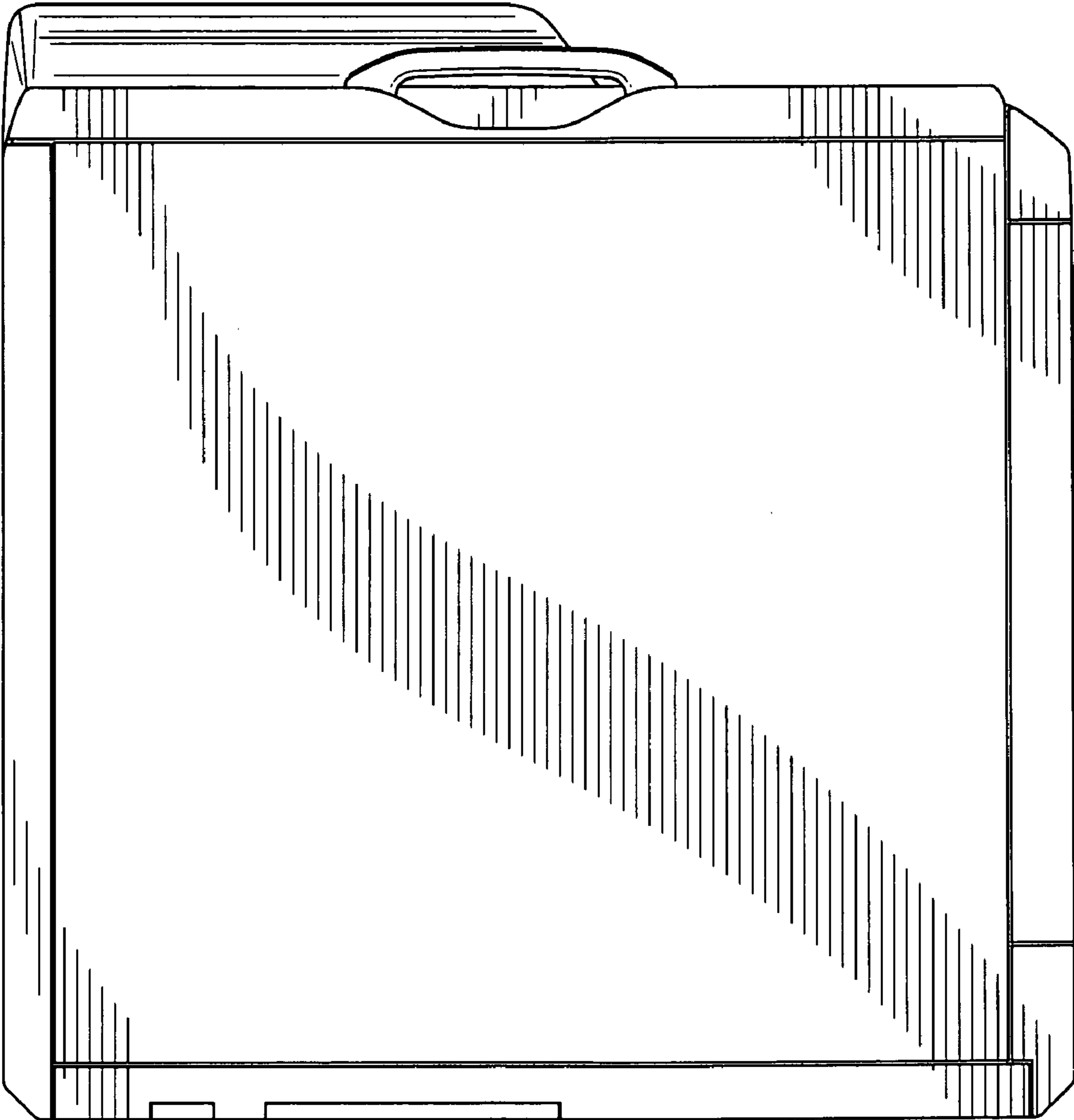


FIG. 5

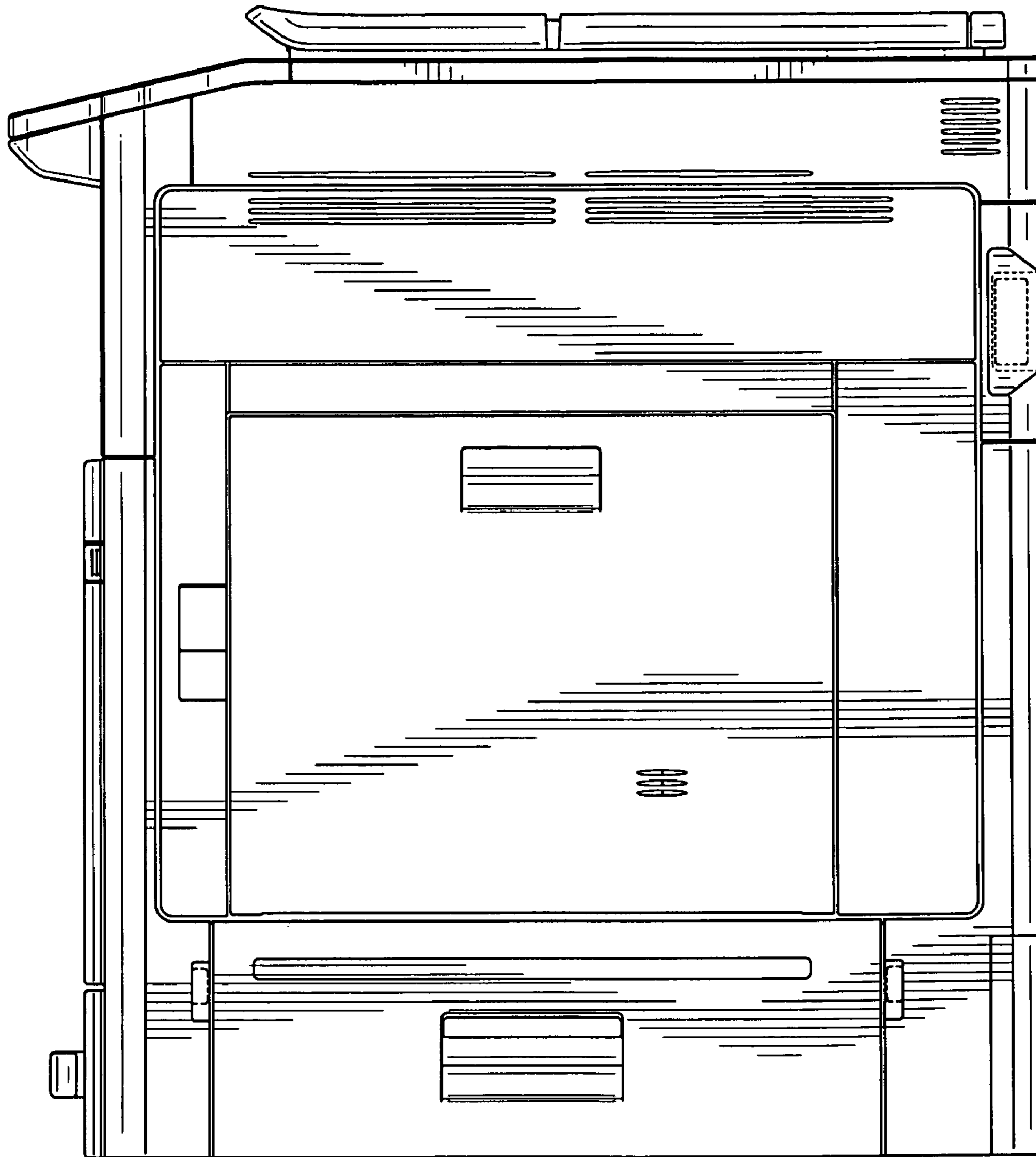


FIG. 6

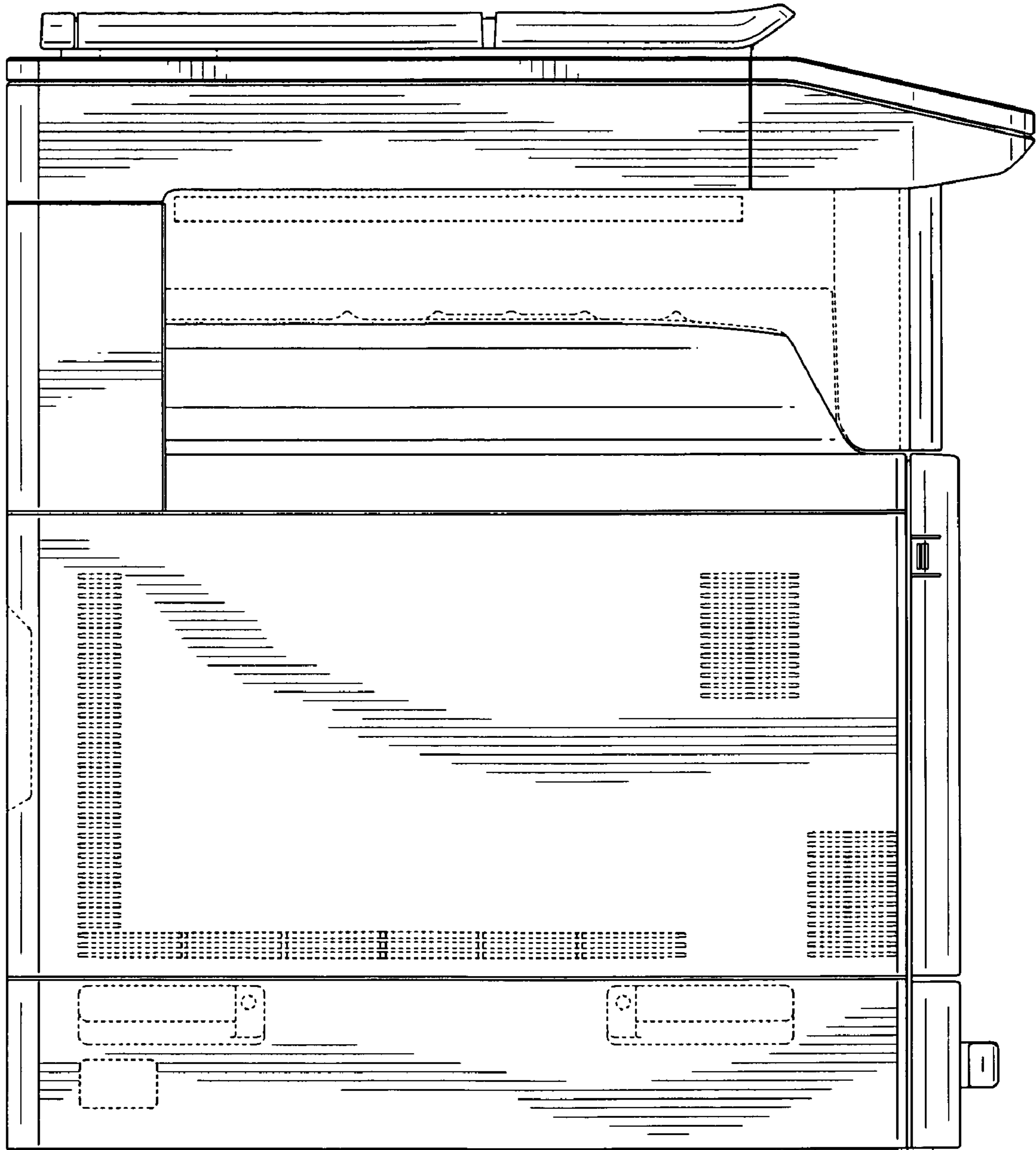


FIG. 7