



US00D664184S

(12) **United States Design Patent**
Olsson et al.

(10) **Patent No.:** **US D664,184 S**
(45) **Date of Patent:** **** Jul. 24, 2012**

- (54) **WEARABLE DISPLAY DEVICE SECTION**
- (75) Inventors: **Maj Isabelle Olsson**, San Francisco, CA (US); **Matthew Wyatt Martin**, Ross, CA (US)
- (73) Assignee: **Google Inc.**, Mountain View, CA (US)
- (**) Term: **14 Years**
- (21) Appl. No.: **29/412,245**
- (22) Filed: **Feb. 1, 2012**

D375,111 S	10/1996	Wielhouwer
5,729,321 A	3/1998	Wielhouwer
D402,651 S	12/1998	Depay et al.
D428,620 S	7/2000	Maturaporn
D431,042 S	9/2000	Lin
D436,960 S	1/2001	Budd et al.
D512,985 S	12/2005	Travers et al.
D533,893 S	12/2006	Canavan et al.
D559,250 S	1/2008	Pombo
D578,120 S	10/2008	Lowe et al.
D602,064 S	10/2009	Mitsui et al.
D647,123 S	10/2011	Cho

Primary Examiner — Raphael Barkai

(74) *Attorney, Agent, or Firm* — Lerner, David, Littenberg, Krumholz & Mentlik, LLP

Related U.S. Application Data

- (62) Division of application No. 29/404,885, filed on Oct. 26, 2011.
- (51) **LOC (9) Cl.** **16-06**
- (52) **U.S. Cl.** **D16/309; D16/300**
- (58) **Field of Classification Search** D16/101, D16/300-342, 900; D29/109-110; D24/110.2; 351/41, 44, 51-52, 62, 158, 92, 103-123, 351/140, 153, 45-46; 2/426-432, 447-449, 2/441, 434-437, 13, 15; D21/483, 659-661; D14/372
See application file for complete search history.

(56) **References Cited**

U.S. PATENT DOCUMENTS

D142,542 S	10/1945	Bachman
3,944,344 A	3/1976	Wichers
4,240,718 A	12/1980	Wichers
4,400,067 A	8/1983	Joffe
4,867,551 A	9/1989	Perera
D334,557 S	4/1993	Hunter et al.
D337,320 S	7/1993	Hunter et al.
D354,969 S	1/1995	Garcia
D354,974 S	1/1995	Wielhouwer
D366,888 S	2/1996	Locquiao

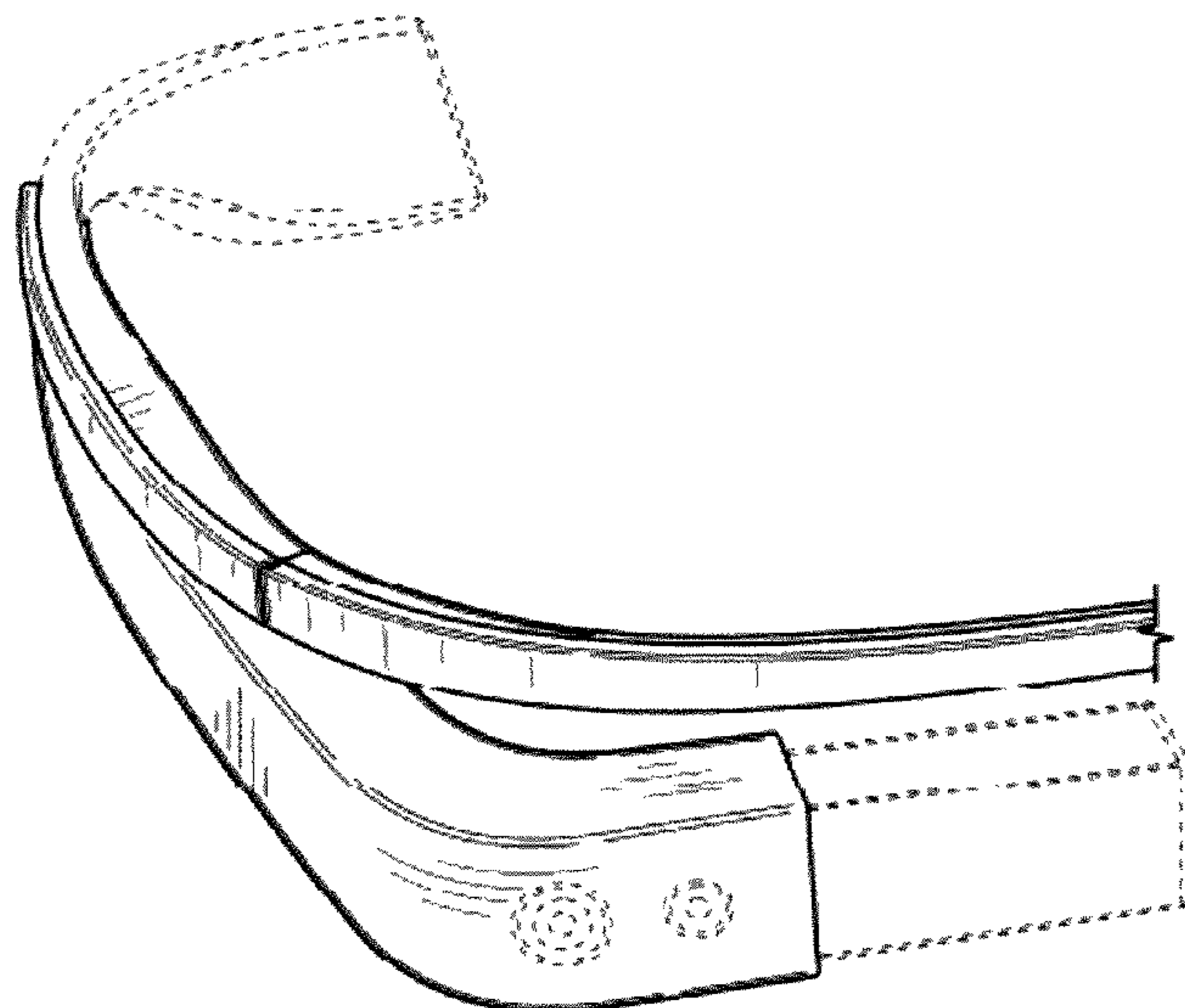
(57) **CLAIM**

The ornamental design for a wearable display device section, as shown and described.

DESCRIPTION

FIG. 1 is a front perspective view of a wearable display device section according to the design;
 FIG. 2 is a front elevation view of the wearable display device section of FIG. 1;
 FIG. 3 is a rear elevation view of the wearable display device section of FIG. 1;
 FIG. 4 is a left side elevation view of the wearable display device section of FIG. 1;
 FIG. 5 is a right side elevation view of the wearable display device section of FIG. 1;
 FIG. 6 is a top plan view of the wearable display device section of FIG. 1; and,
 FIG. 7 is a bottom plan view of the wearable display device section of FIG. 1.
 The appearance of elements presented in broken line format form no part of the claimed design.

1 Claim, 4 Drawing Sheets



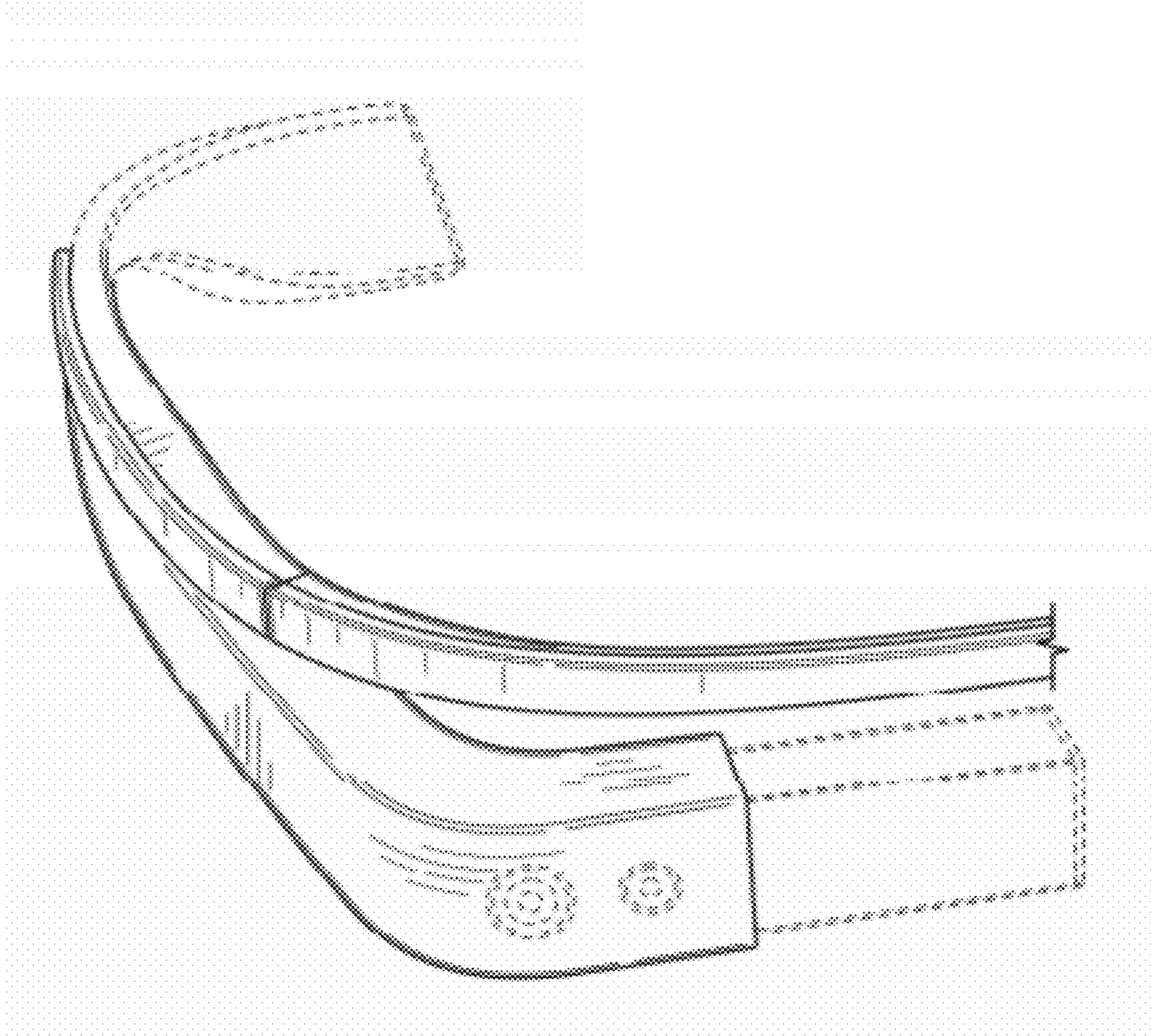


FIG. 1

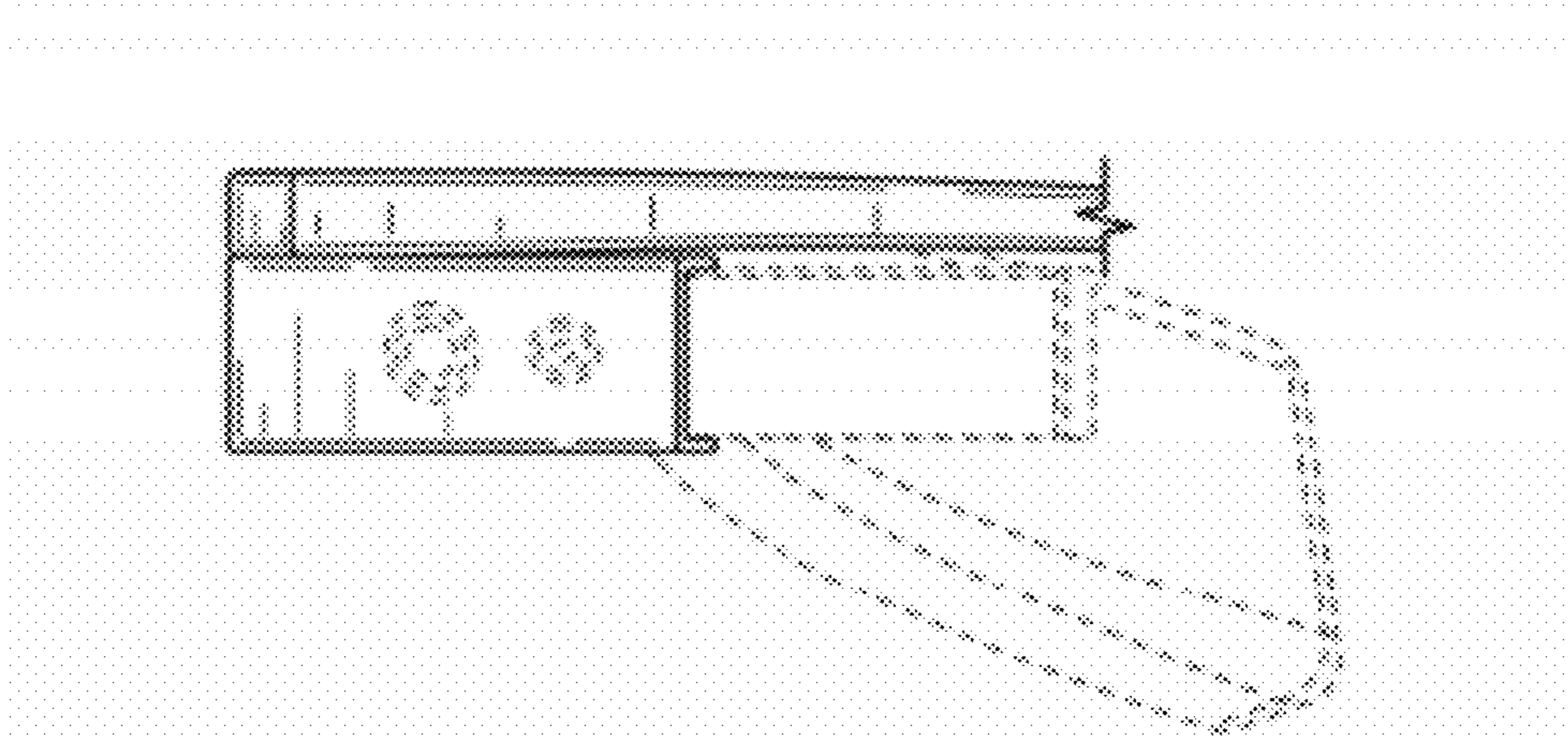


FIG. 2

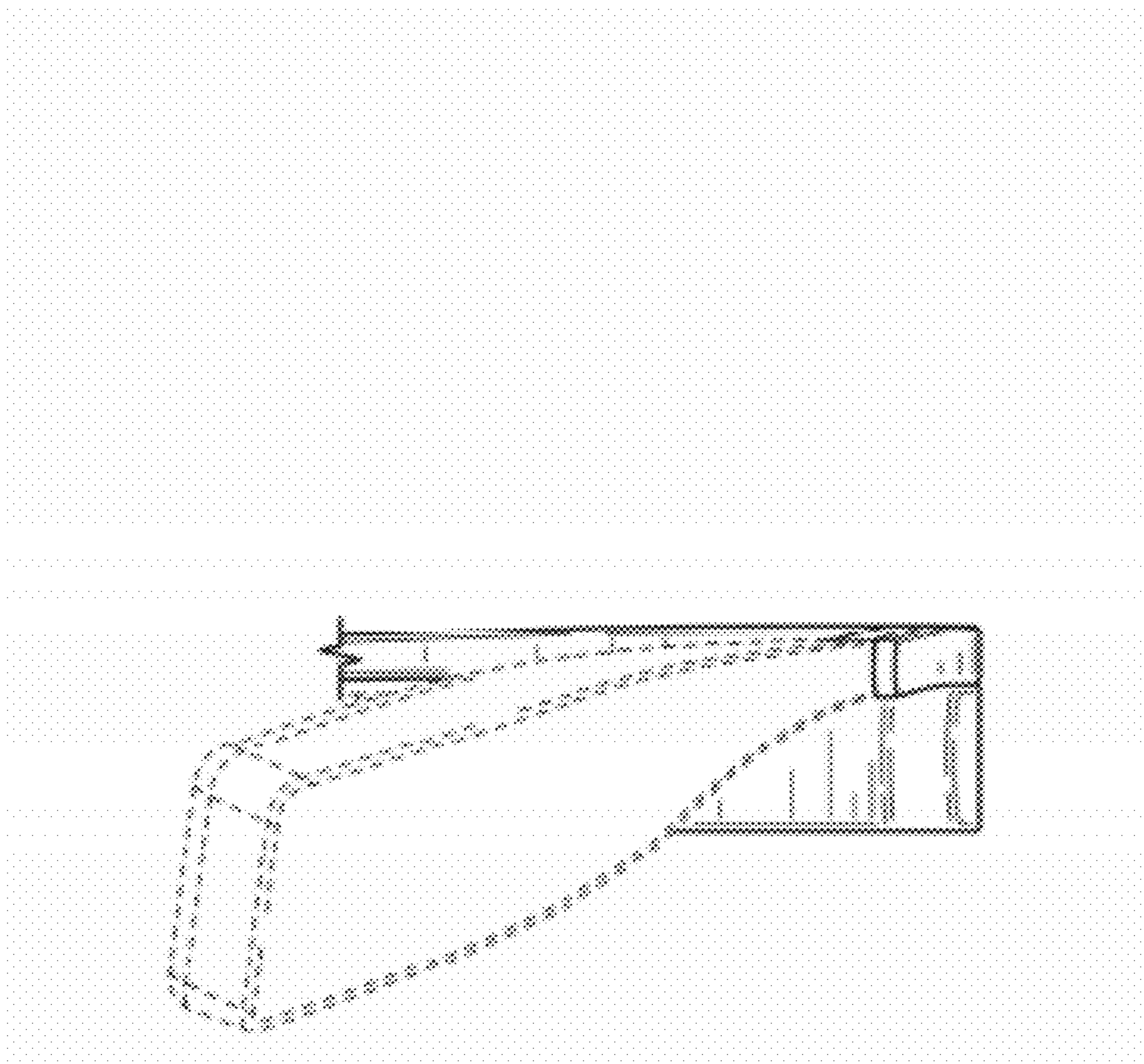


FIG. 3

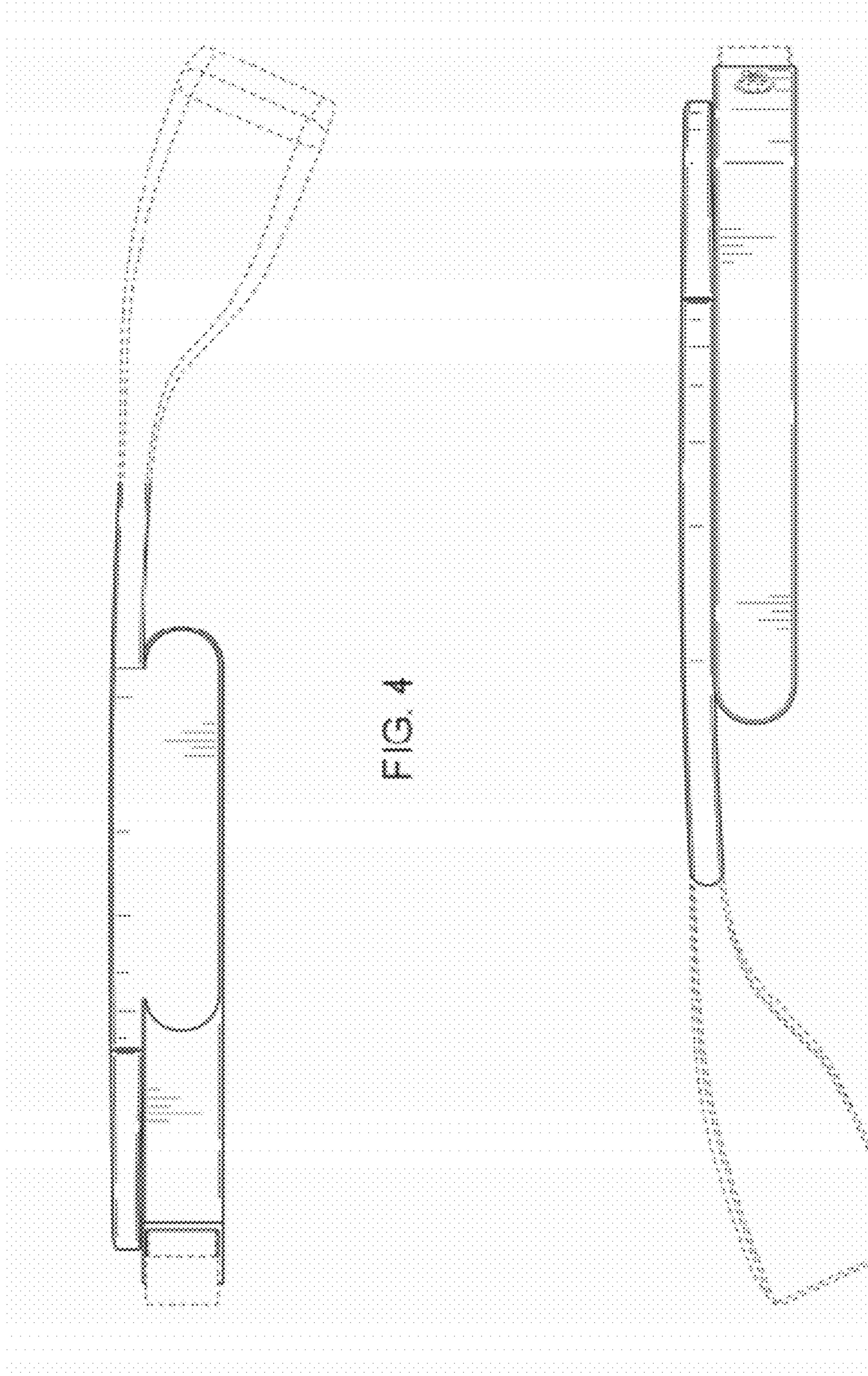


FIG. 4

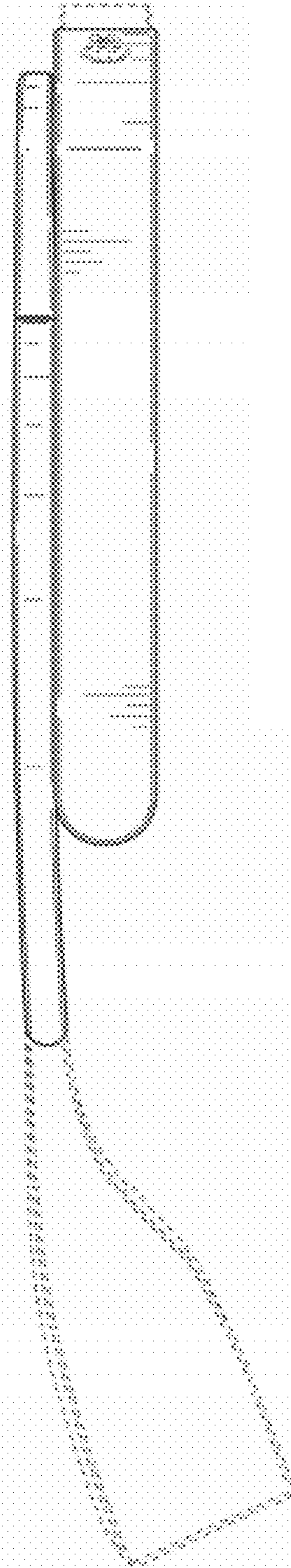


FIG. 5

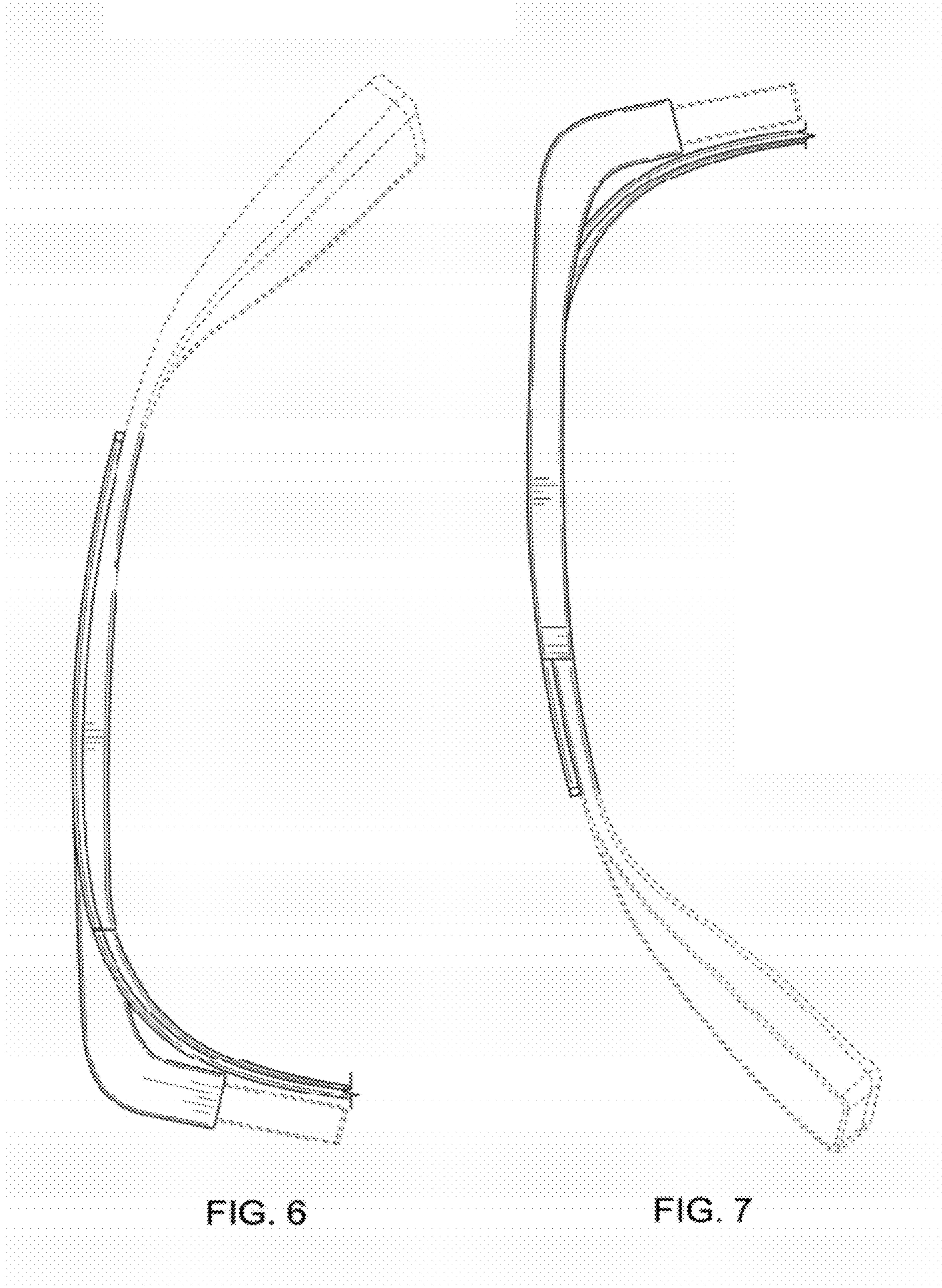


FIG. 6

FIG. 7