



US00D664182S

(12) **United States Design Patent**
Braunstein et al.

(10) **Patent No.:** **US D664,182 S**

(45) **Date of Patent:** **** Jul. 24, 2012**

(54) **TRIPOD FOR A CAMERA**

(75) Inventors: **Ariel Braunstein**, San Francisco, CA (US); **Gregory R. Cerny**, Palo Alto, CA (US); **William Webb**, San Francisco, CA (US); **Spencer James Nugent**, El Dorado Hills, CA (US)

(73) Assignee: **Cisco Technology, Inc.**, San Jose, CA (US)

(**) Term: **14 Years**

(21) Appl. No.: **29/375,292**

(22) Filed: **Sep. 20, 2010**

(51) **LOC (9) Cl.** **16-05**

(52) **U.S. Cl.** **D16/244; D16/242**

(58) **Field of Classification Search** D8/349, D8/355; D16/237, 242, 244, 245; 248/163.1, 248/171, 187.1; 396/419, 425, 428
See application file for complete search history.

(56) **References Cited**

U.S. PATENT DOCUMENTS

4,915,333 A * 4/1990 Bolondi 248/181.1
5,288,044 A * 2/1994 Chen 248/183.1
D366,887 S * 2/1996 Wood D16/242
6,007,259 A * 12/1999 Mori et al. 396/428

D532,436 S * 11/2006 Kruse et al. D16/244
D607,917 S * 1/2010 Darrow D16/244
2002/0109053 A1* 8/2002 Lemieux et al. 248/187.1

* cited by examiner

Primary Examiner — Adir Aronovich

(74) *Attorney, Agent, or Firm* — Patterson & Sheridan, LLP

(57) **CLAIM**

The ornamental design for a tripod for a camera, as shown and described.

DESCRIPTION

FIG. 1 is a front and right side perspective view of a tripod for a camera showing our new design.

FIG. 2 is a right side elevational view thereof.

FIG. 3 is a top plan view thereof.

FIG. 4 is a left side elevational view thereof.

FIG. 5 is a bottom plan view thereof.

FIG. 6 is a front elevational view thereof.

FIG. 7 is a rear elevational view thereof.

FIG. 8 is a right side perspective view of the tripod in an alternate position.

FIG. 9 is a right side elevational view thereof.

FIG. 10 is a top plan view thereof.

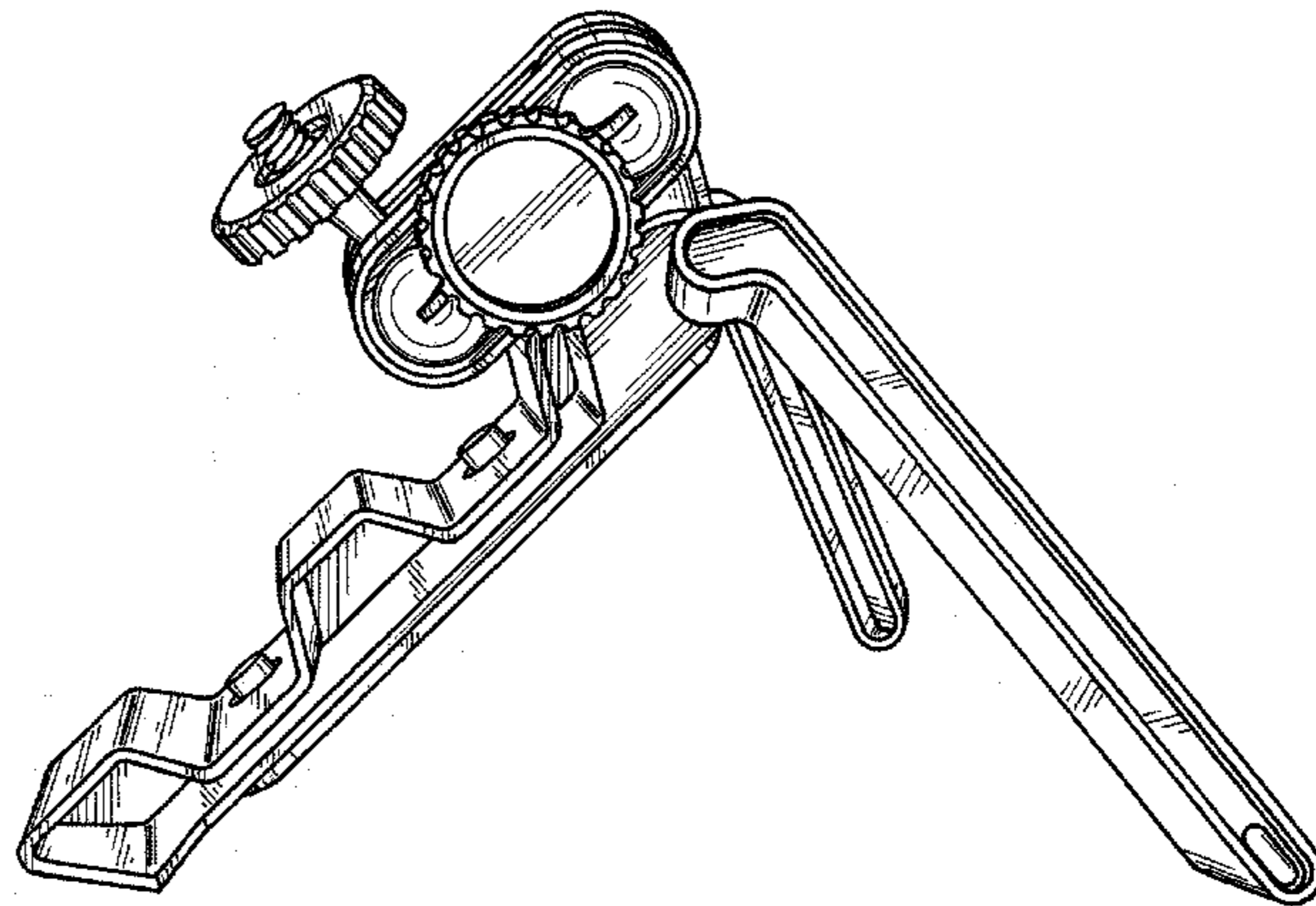
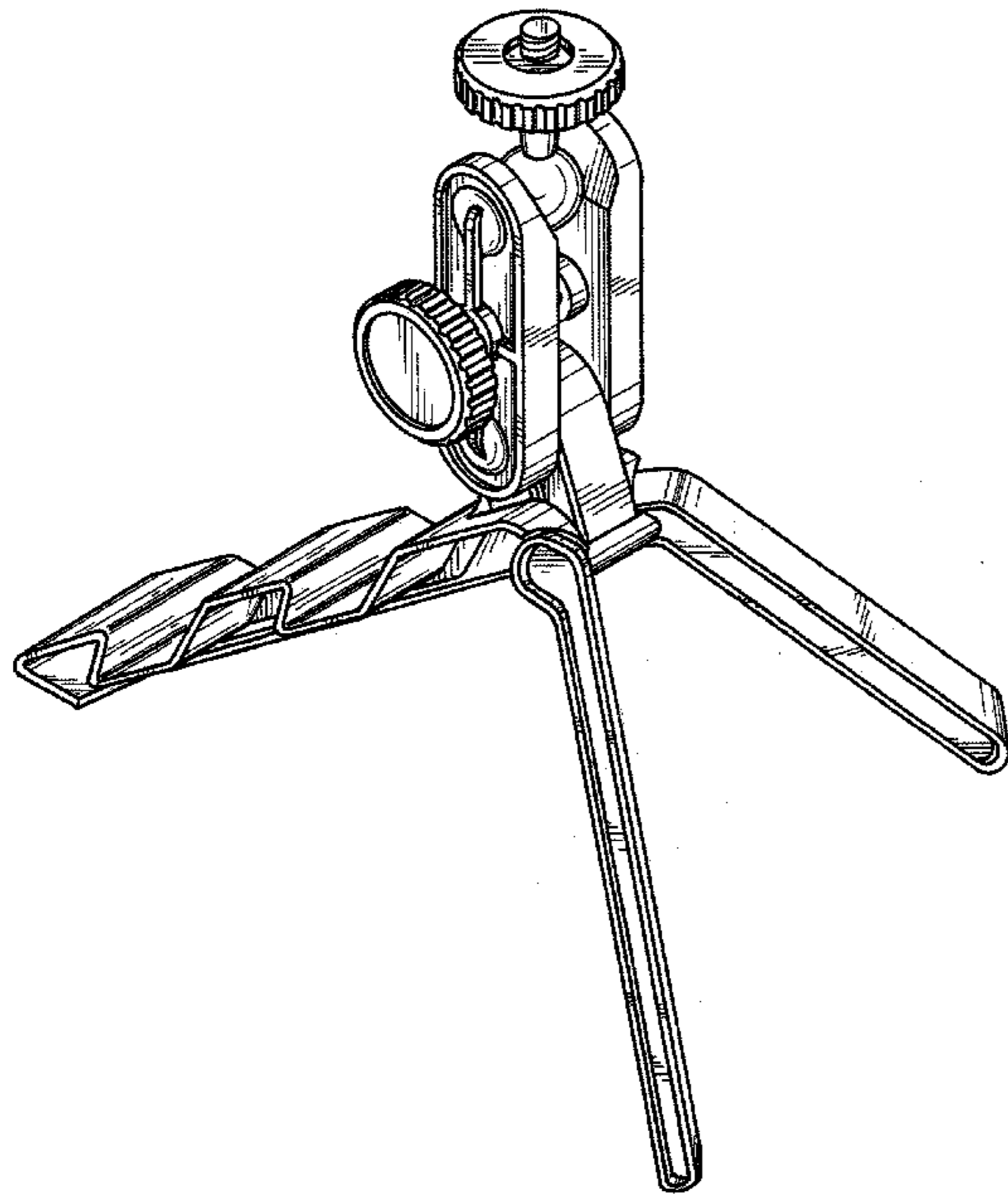
FIG. 11 is a left side elevational view thereof.

FIG. 12 is a bottom plan view thereof.

FIG. 13 is a front elevational view thereof; and,

FIG. 14 is a rear elevational view thereof.

1 Claim, 12 Drawing Sheets



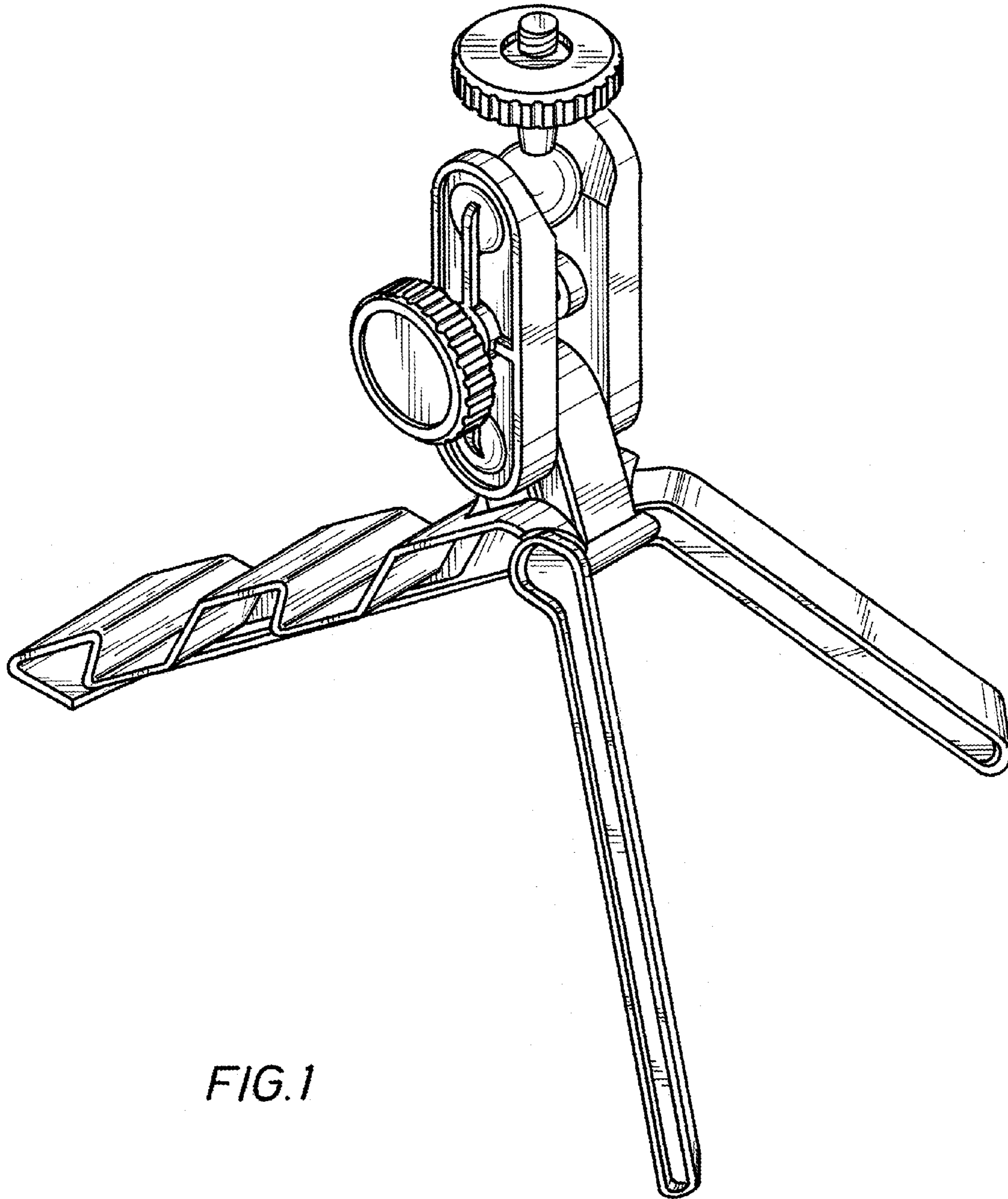


FIG. 1

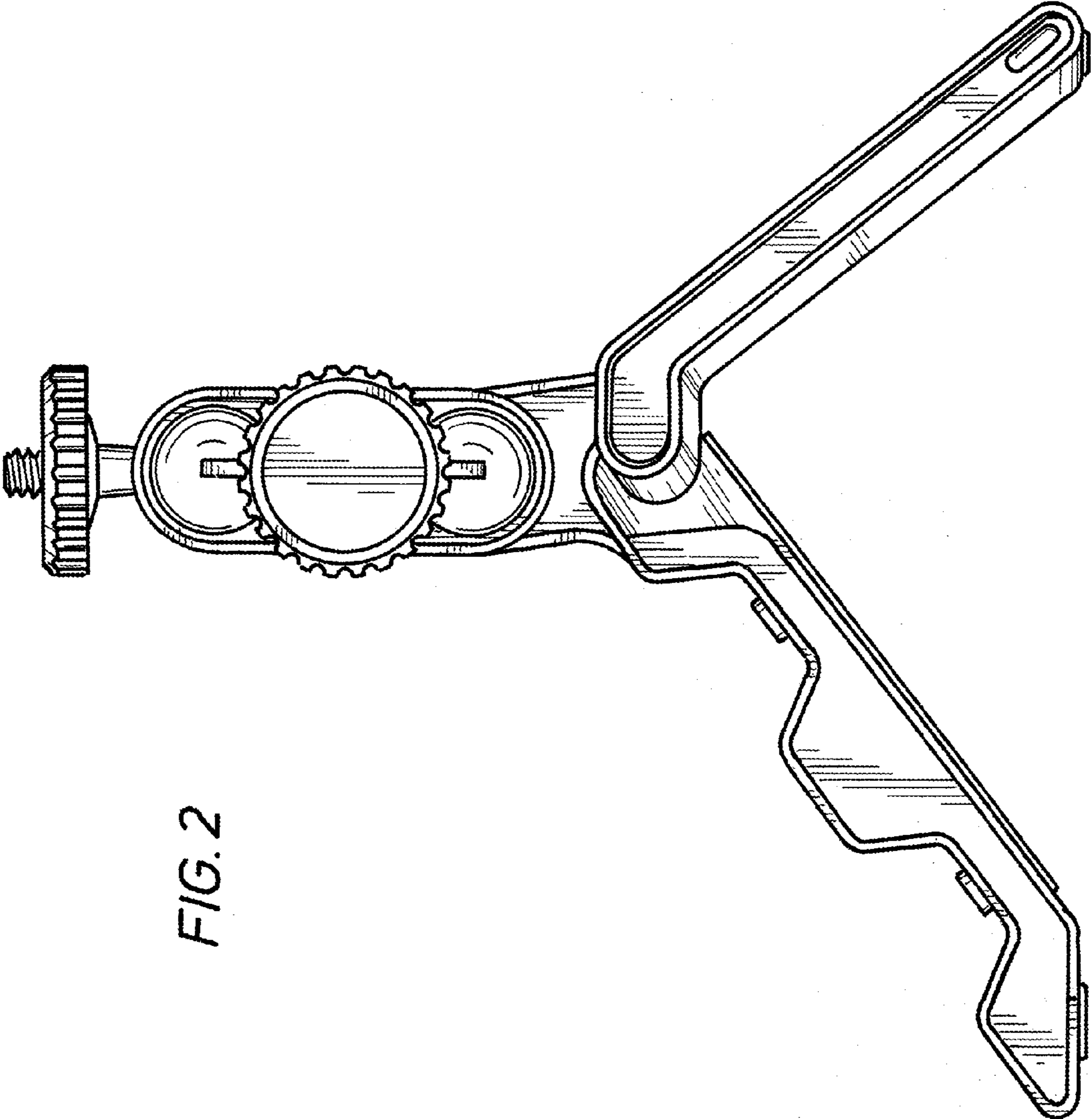


FIG. 2

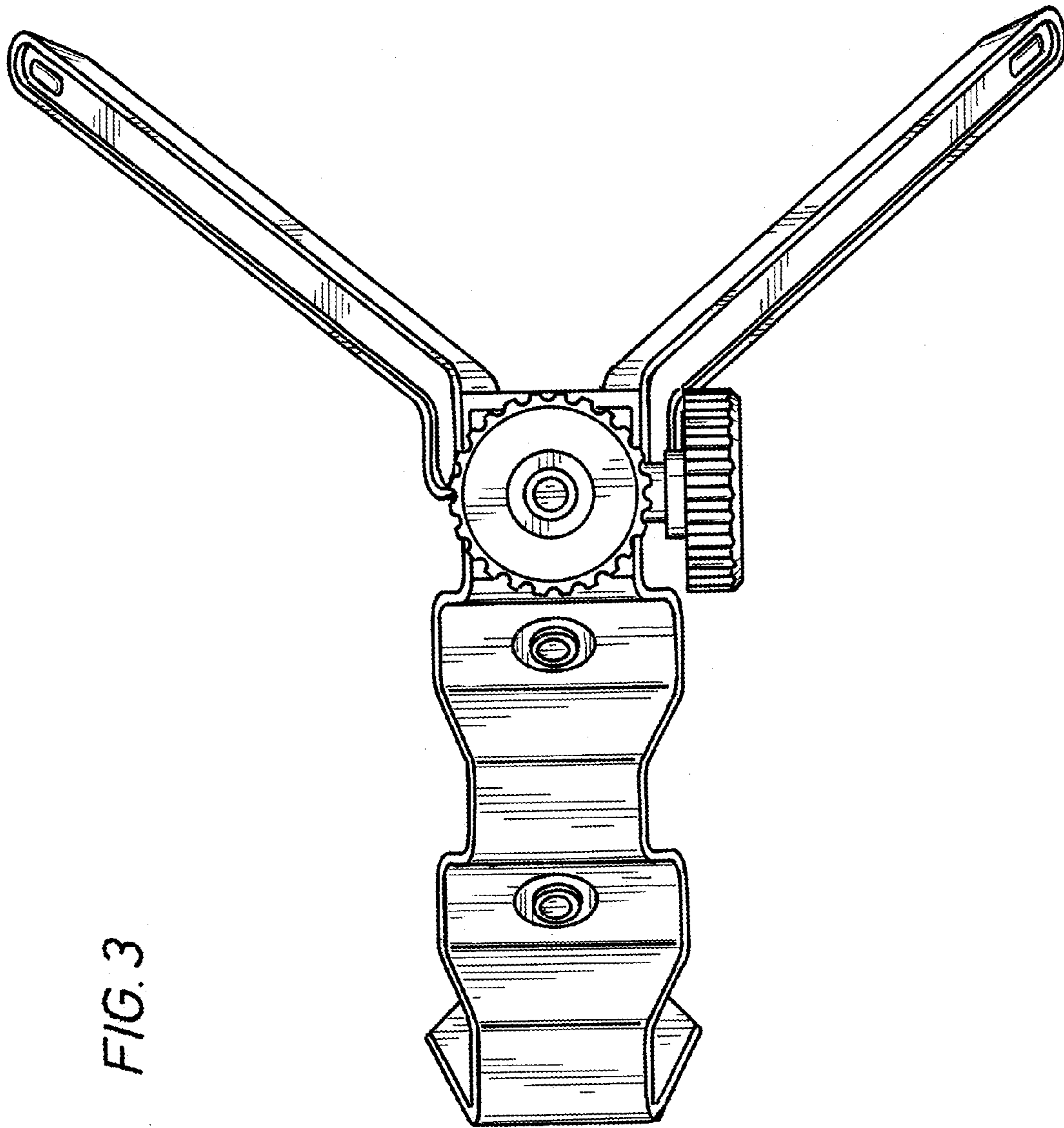
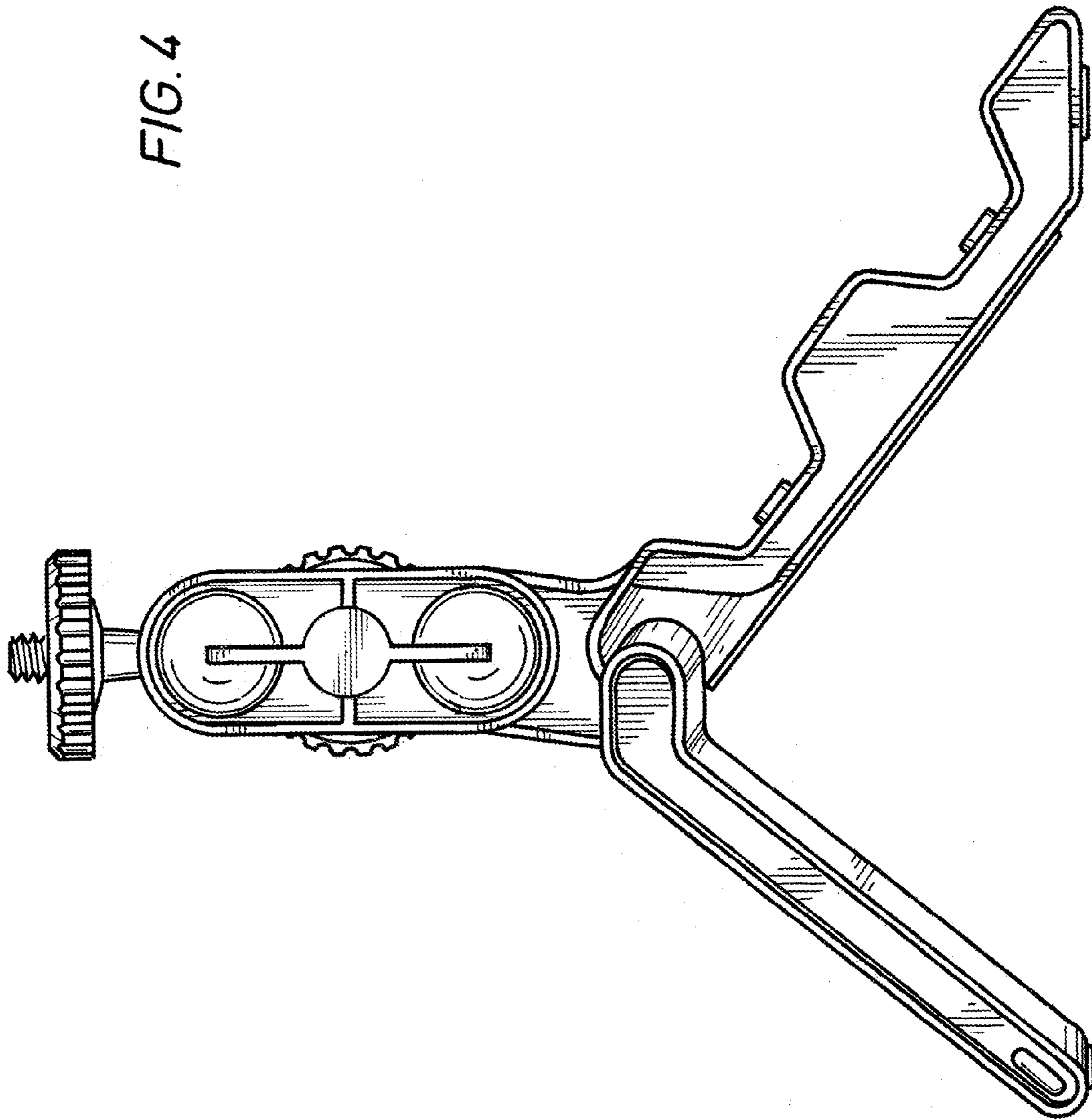


FIG. 3

FIG. 4



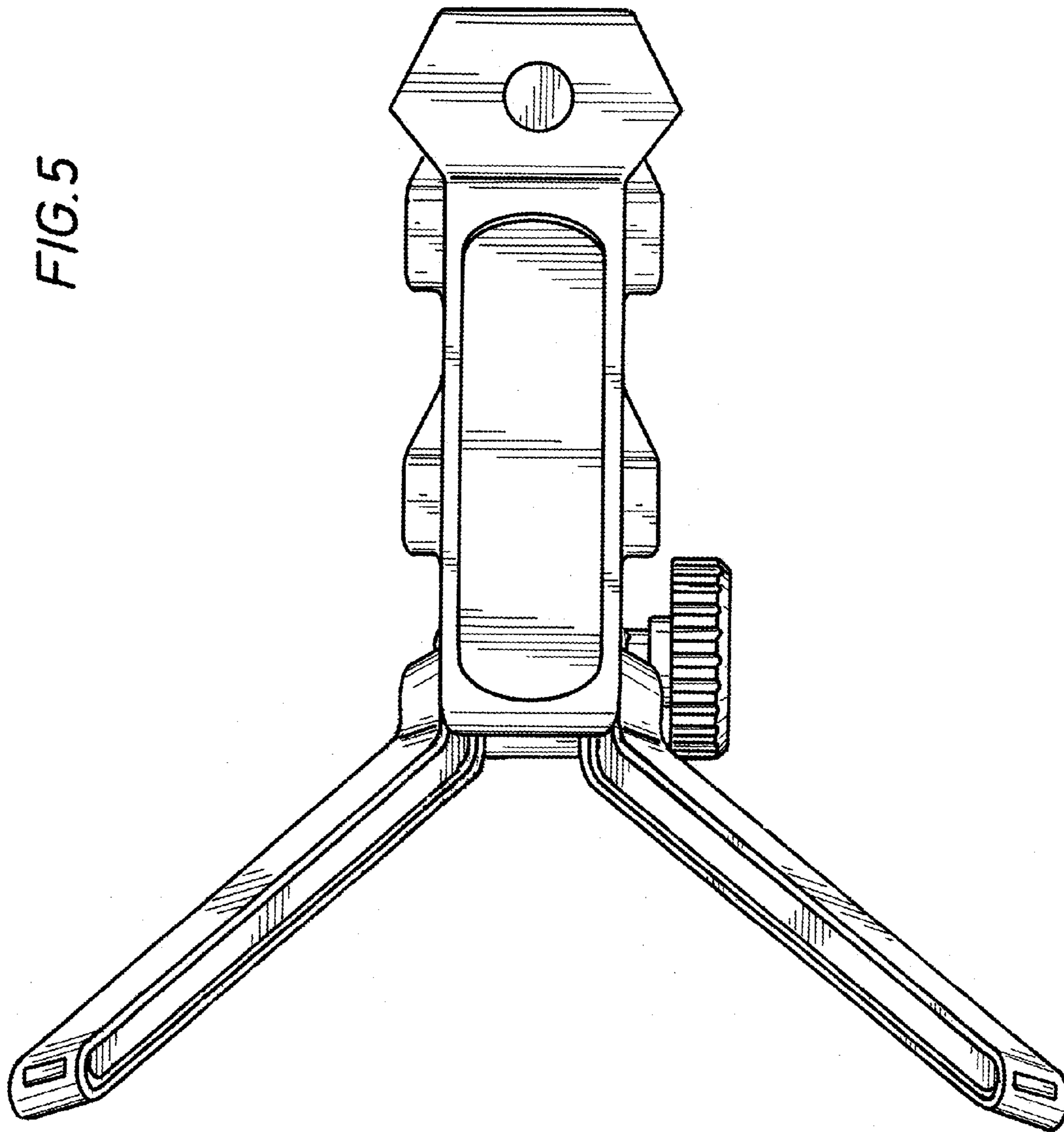


FIG. 6

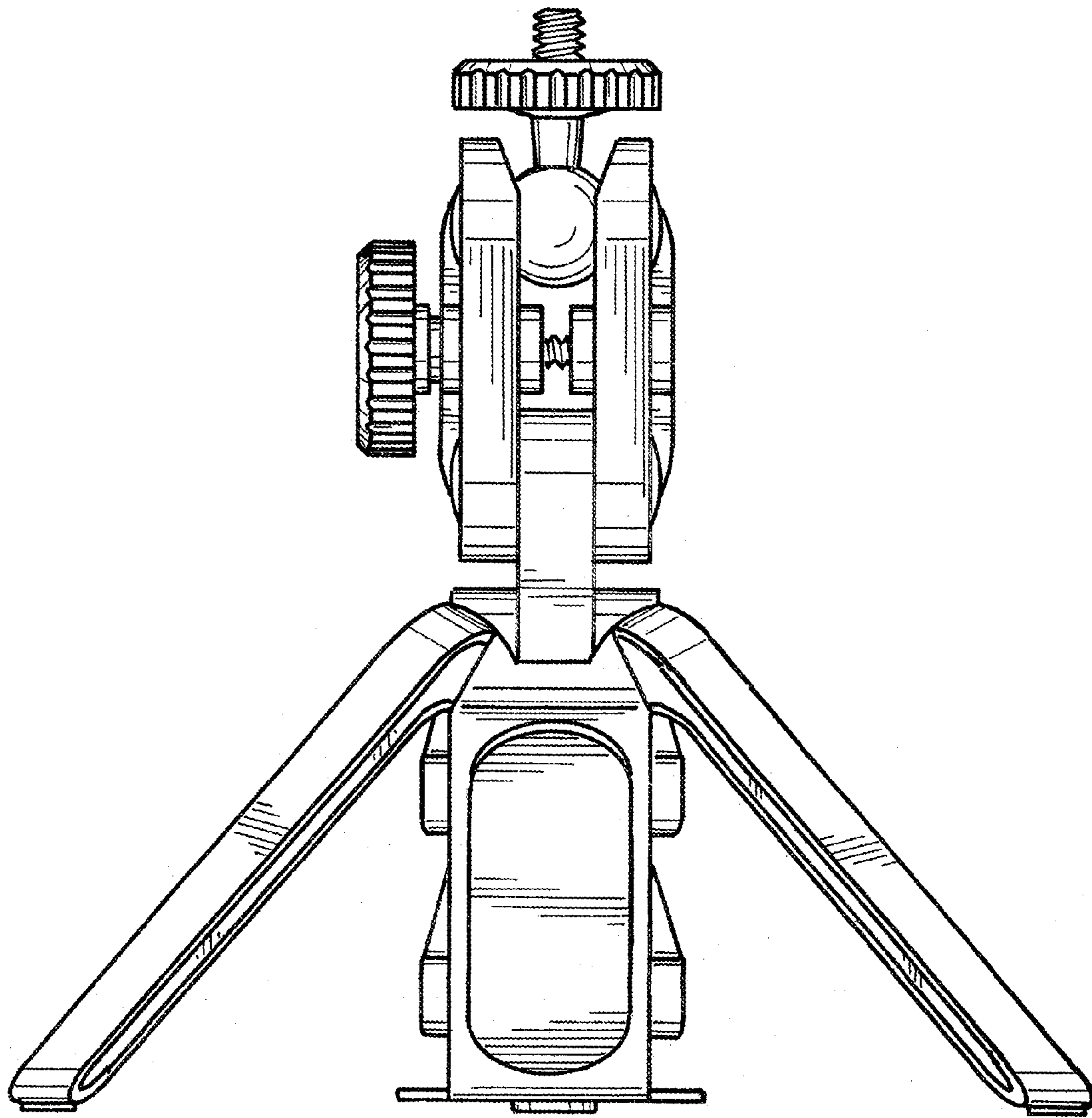


FIG. 7

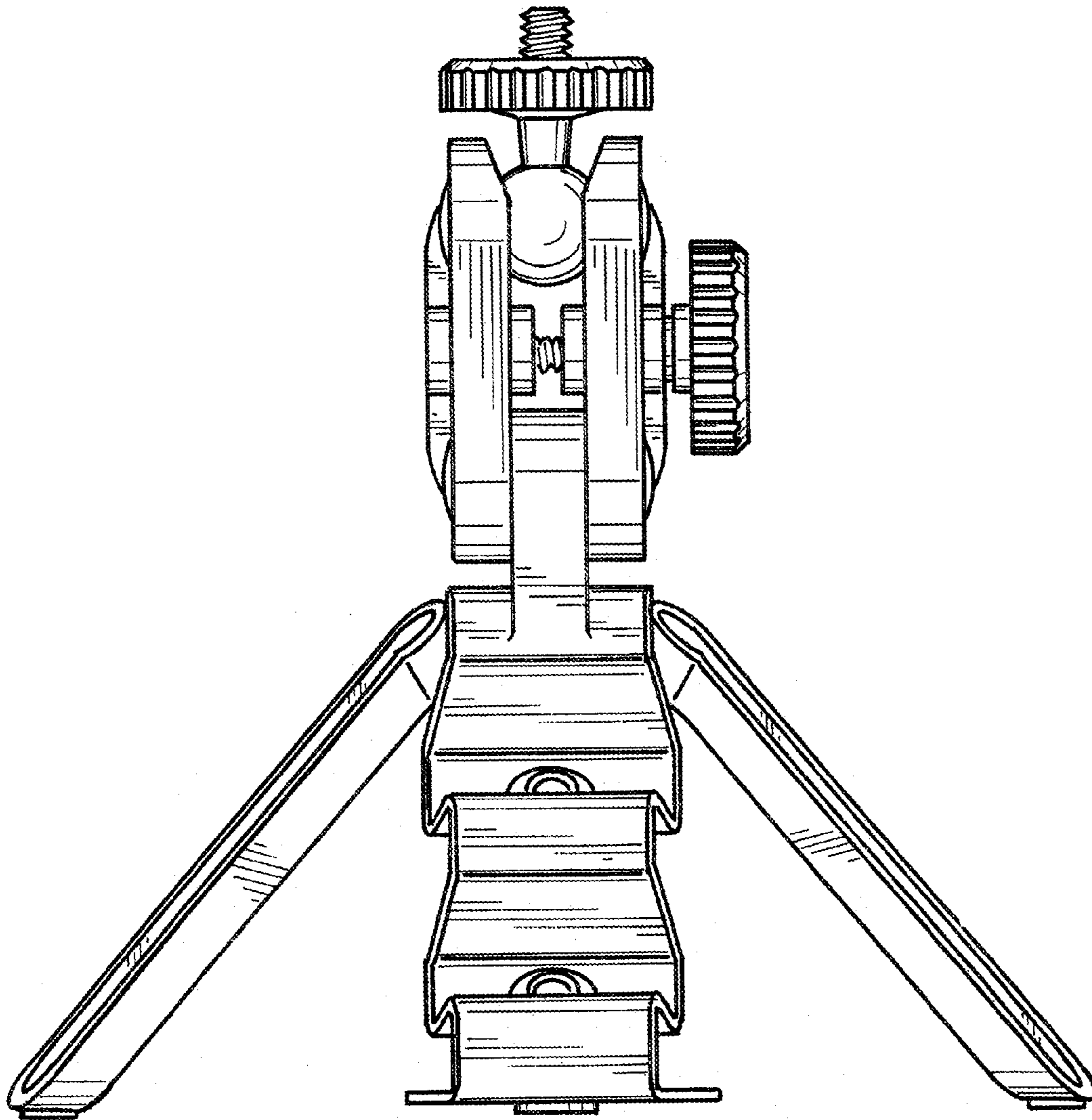
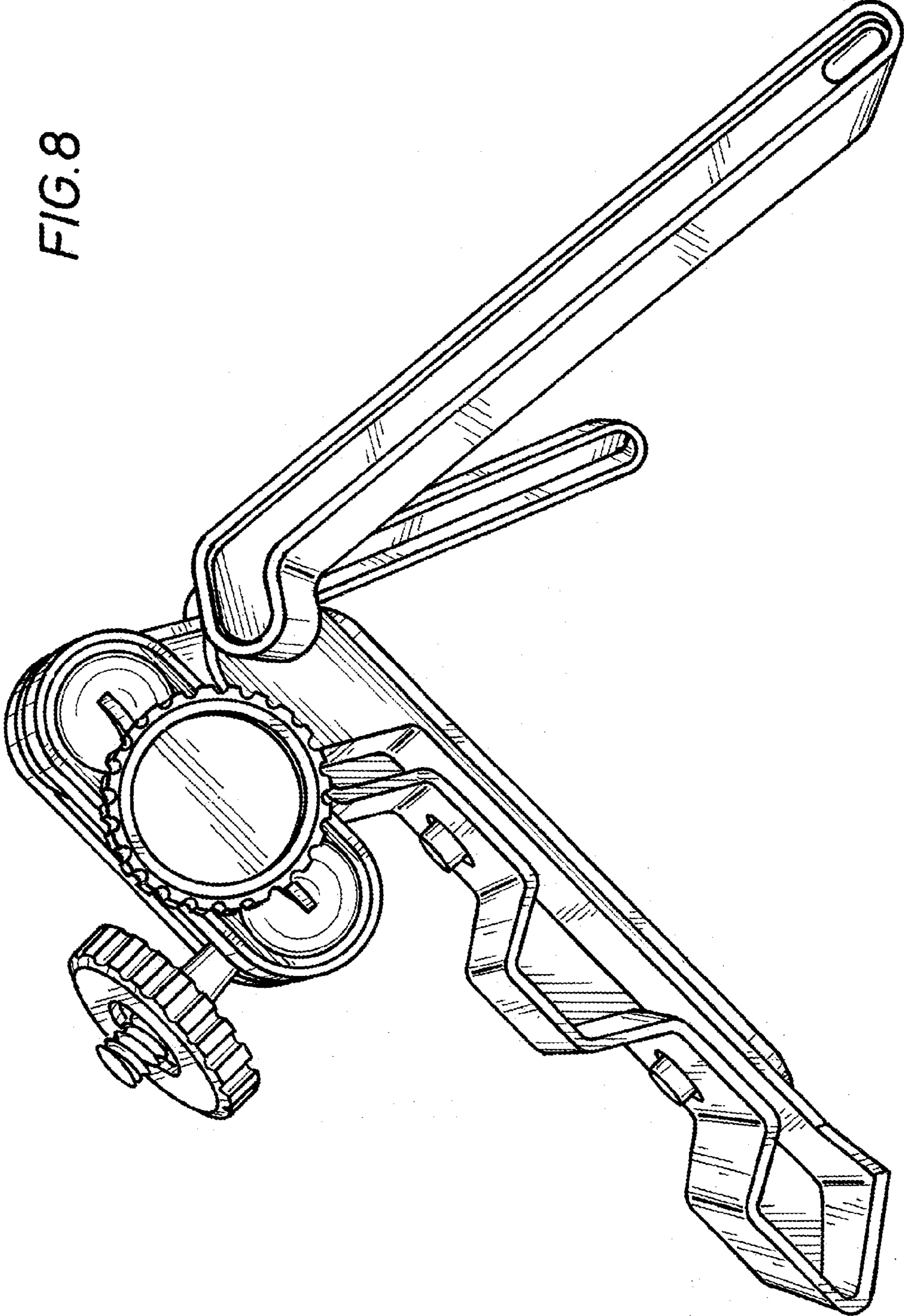
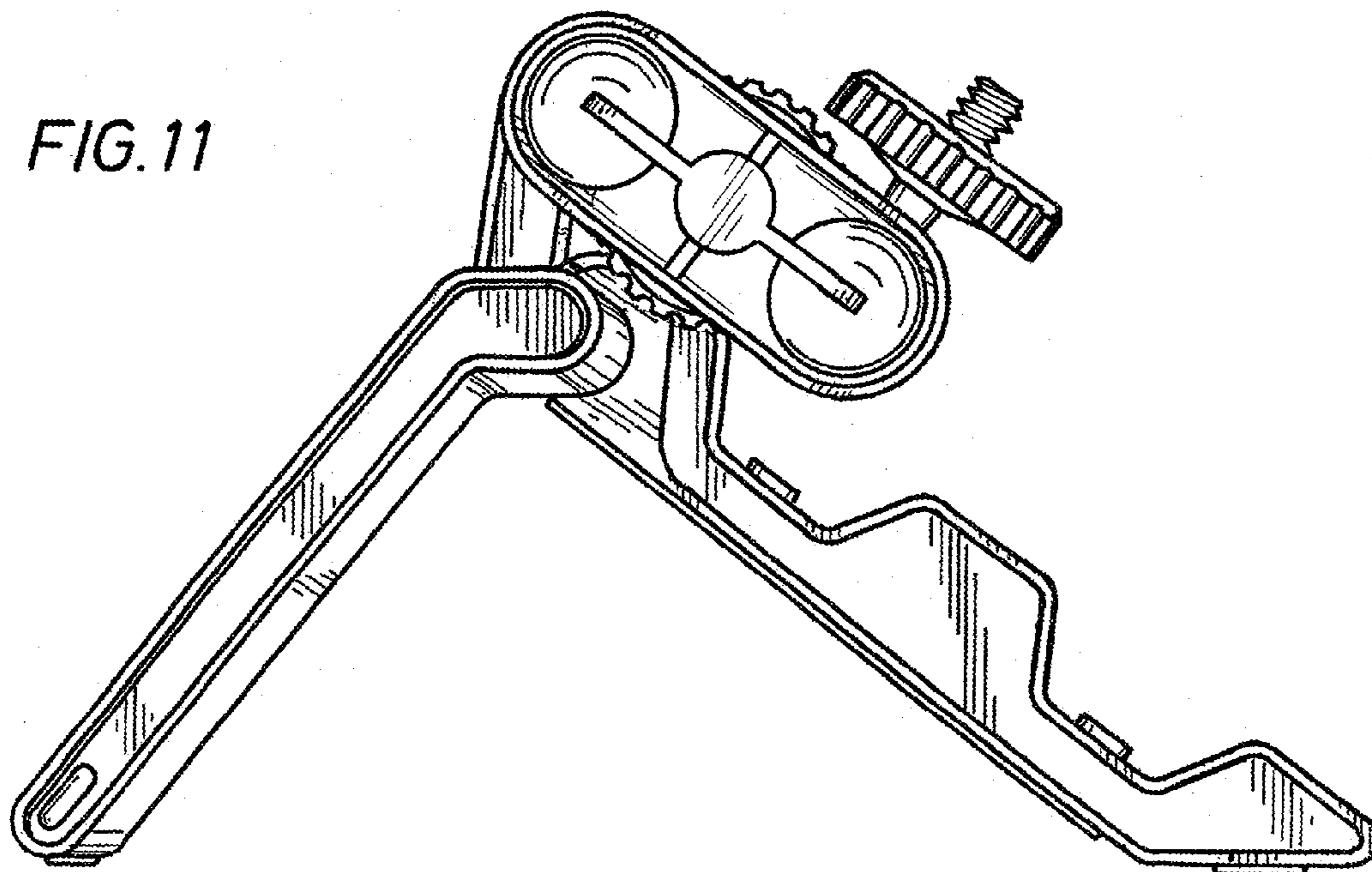
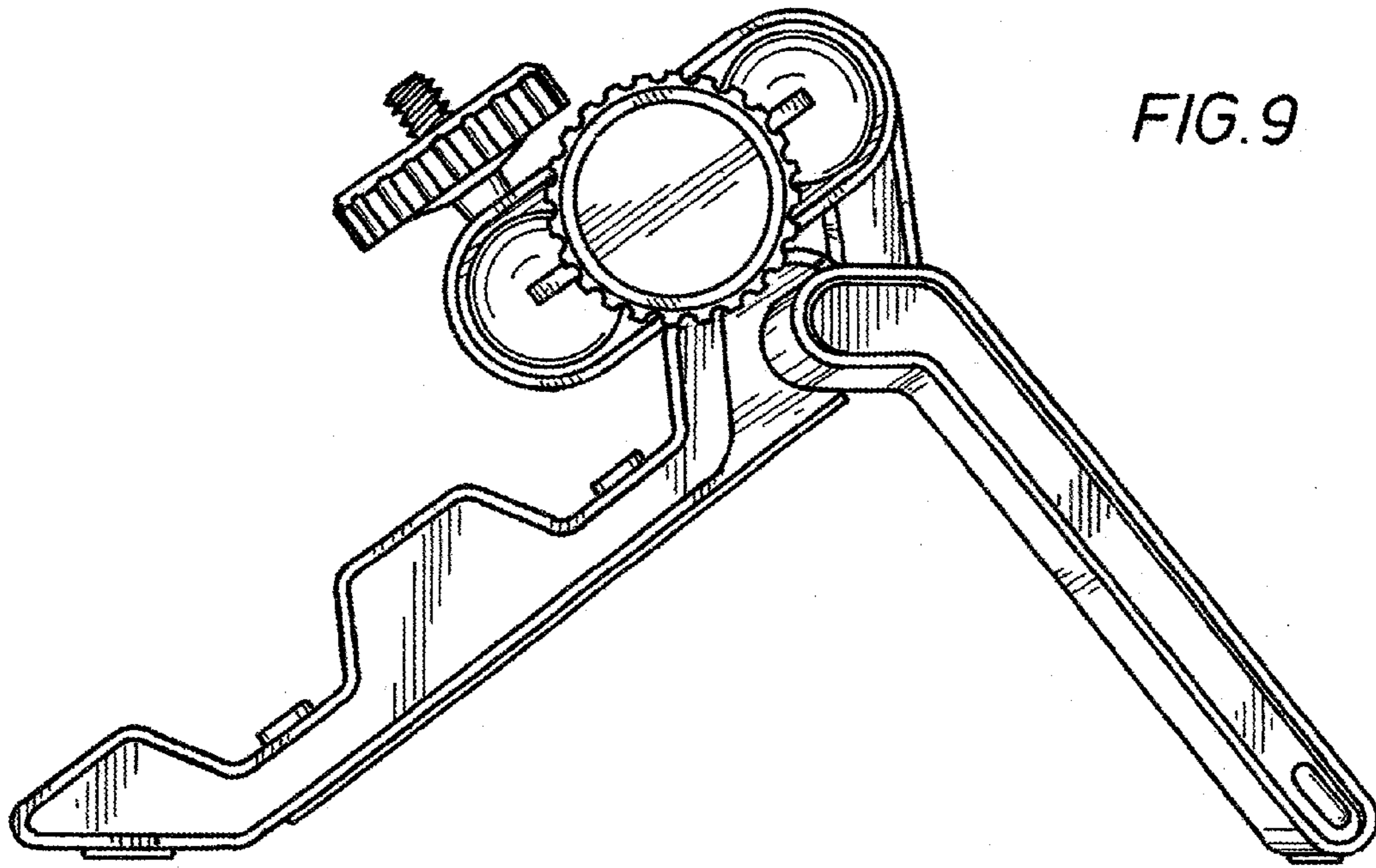


FIG. 8





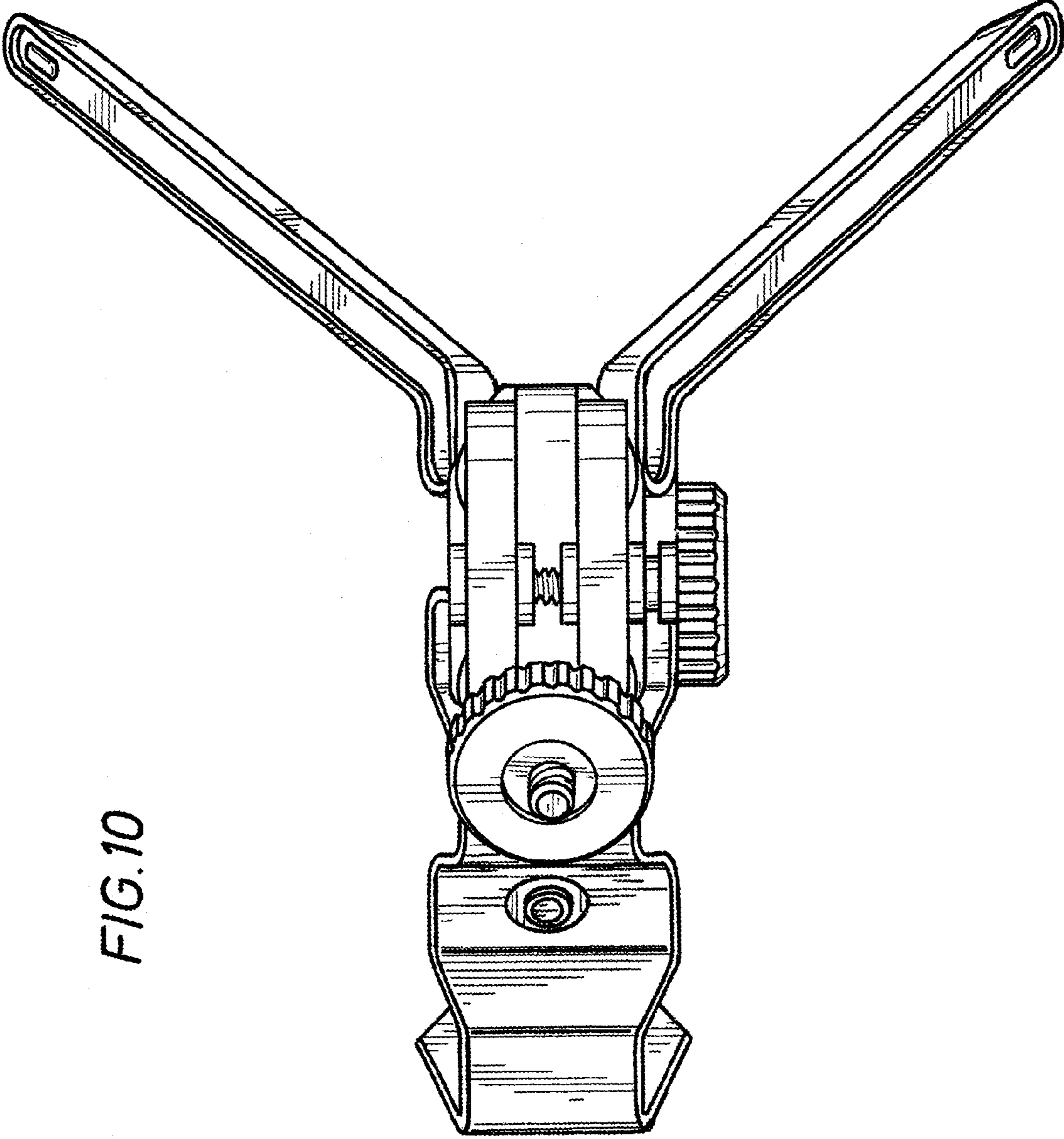


FIG.10

FIG.12

