



US00D664181S

(12) **United States Design Patent**  
**Braunstein et al.**

(10) **Patent No.:** **US D664,181 S**  
(45) **Date of Patent:** **\*\* Jul. 24, 2012**

(54) **TRIPOD FOR A CAMERA**

(75) Inventors: **Ariel Braunstein**, San Francisco, CA (US); **Gregory R. Cerny**, Palo Alto, CA (US); **William Webb**, San Francisco, CA (US); **Spencer James Nugent**, El Dorado Hills, CA (US)

(73) Assignee: **CISCO TECHNOLOGY, Inc.**, San Jose, CA (US)

(\*\*) Term: **14 Years**

(21) Appl. No.: **29/375,291**

(22) Filed: **Sep. 20, 2010**

(51) **LOC (9) Cl.** ..... **16-05**

(52) **U.S. Cl.** ..... **D16/244; D16/242**

(58) **Field of Classification Search** ..... D8/349, D8/355; D16/237, 242, 244, 245; 248/163.1, 248/171, 187.1; 396/419, 425, 428  
See application file for complete search history.

(56) **References Cited**

**U.S. PATENT DOCUMENTS**

4,915,333	A *	4/1990	Bolondi	.....	248/181.1
D344,970	S *	3/1994	Hanke	.....	D16/245
D366,887	S *	2/1996	Wood	.....	D16/242
7,185,862	B1 *	3/2007	Yang	.....	248/187.1

8,021,060 B2 \* 9/2011 Sudhana et al. .... 396/428  
2002/0109053 A1 \* 8/2002 Lemieux et al. .... 248/187.1

\* cited by examiner

*Primary Examiner* — Adir Aronovich

(74) *Attorney, Agent, or Firm* — Patterson & Sheridan, LLP

(57) **CLAIM**

The ornamental design for a tripod for a camera, as shown and described.

**DESCRIPTION**

FIG. 1 is a left side perspective view of a tripod for a camera showing our new design.

FIG. 2 is a left side elevational view thereof.

FIG. 3 is a top plan view thereof.

FIG. 4 is a right side elevational view thereof.

FIG. 5 is a bottom plan view thereof.

FIG. 6 is a front elevational view thereof.

FIG. 7 is a rear elevational view thereof.

FIG. 8 is a left side perspective view of the tripod in an alternate position;

FIG. 9 is a left side elevational view thereof.

FIG. 10 is a top plan view thereof.

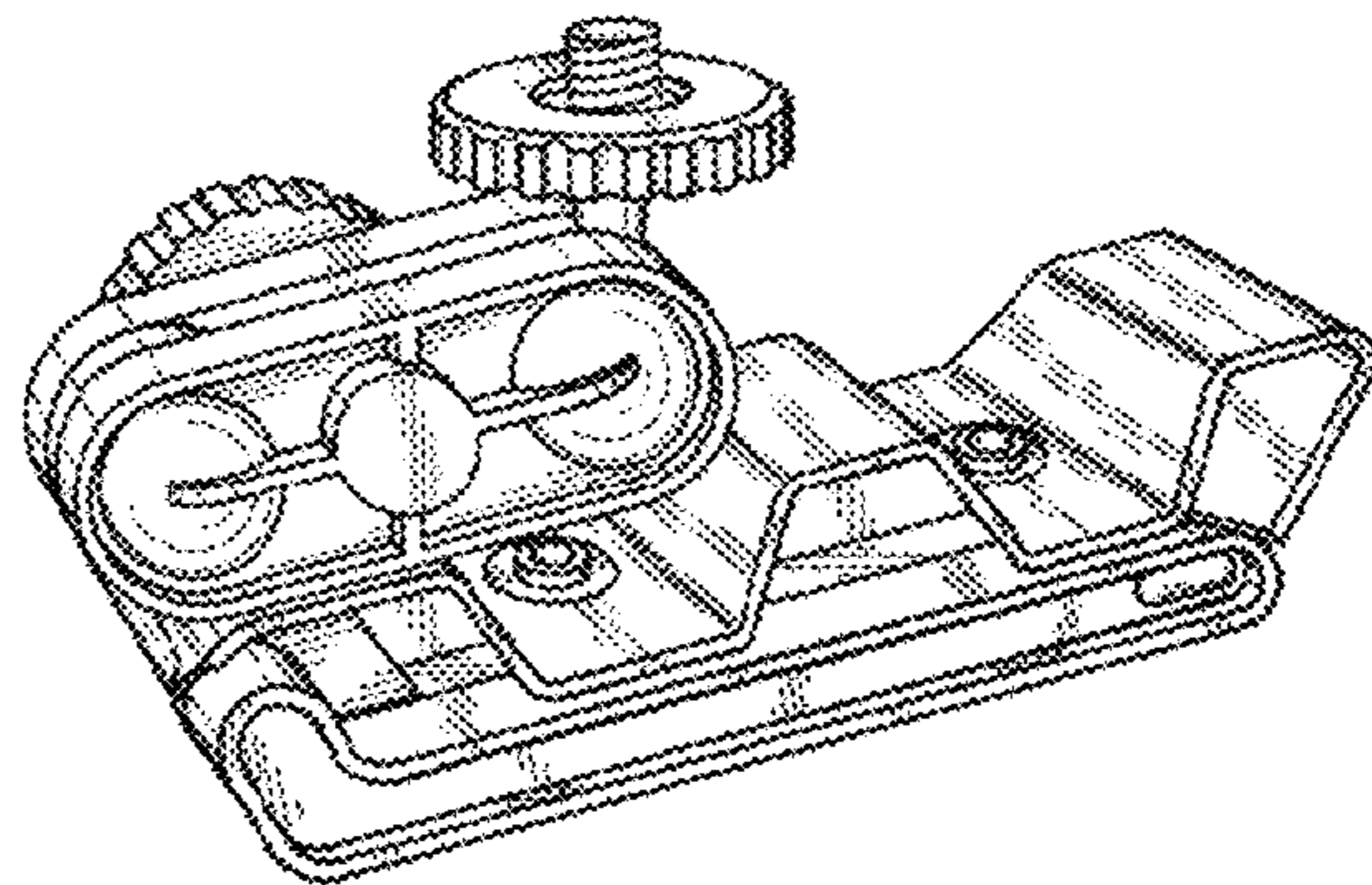
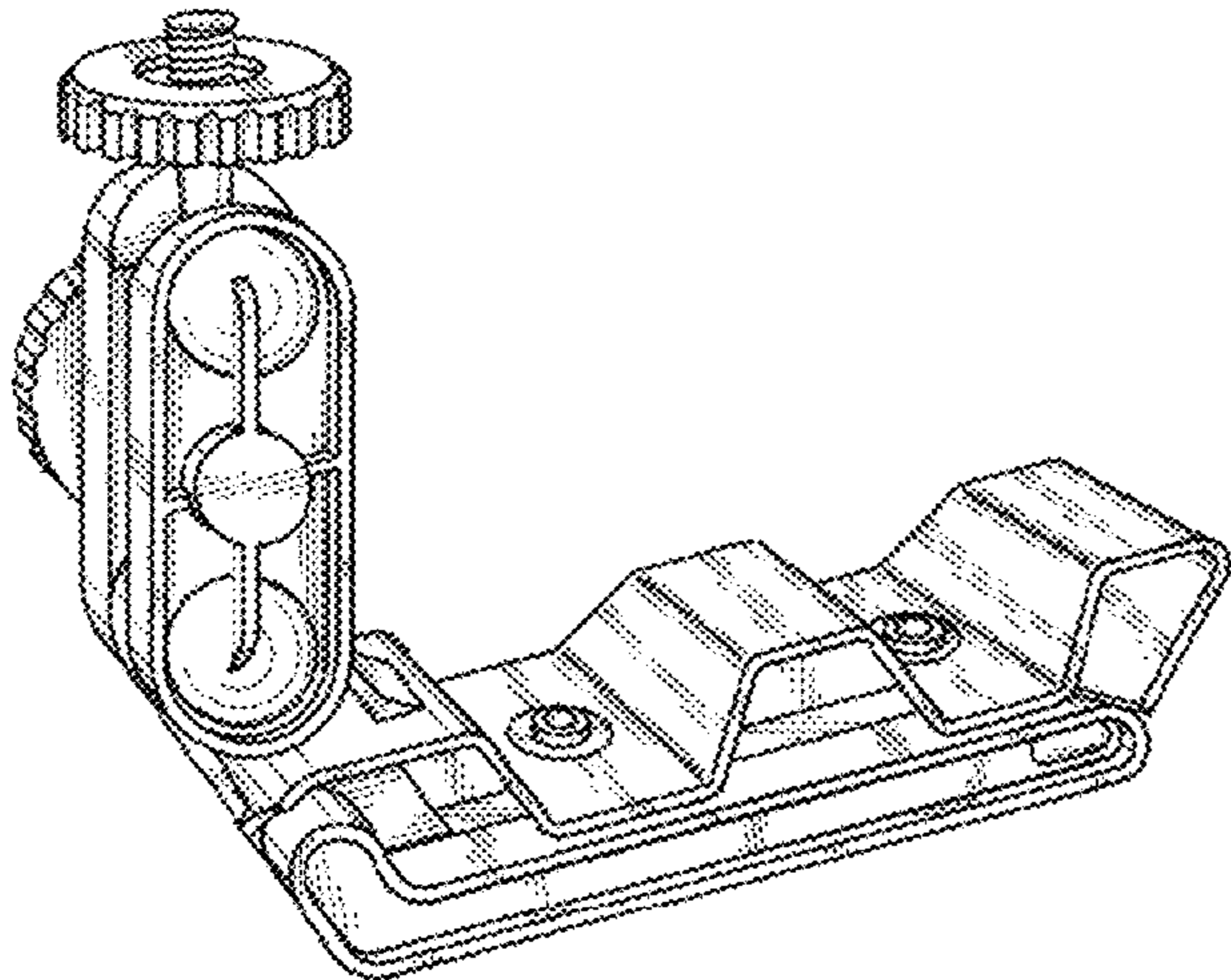
FIG. 11 is a right side elevational view thereof.

FIG. 12 is a bottom plan view thereof.

FIG. 13 is a front elevational view thereof; and,

FIG. 14 is a rear elevational view thereof.

**1 Claim, 8 Drawing Sheets**



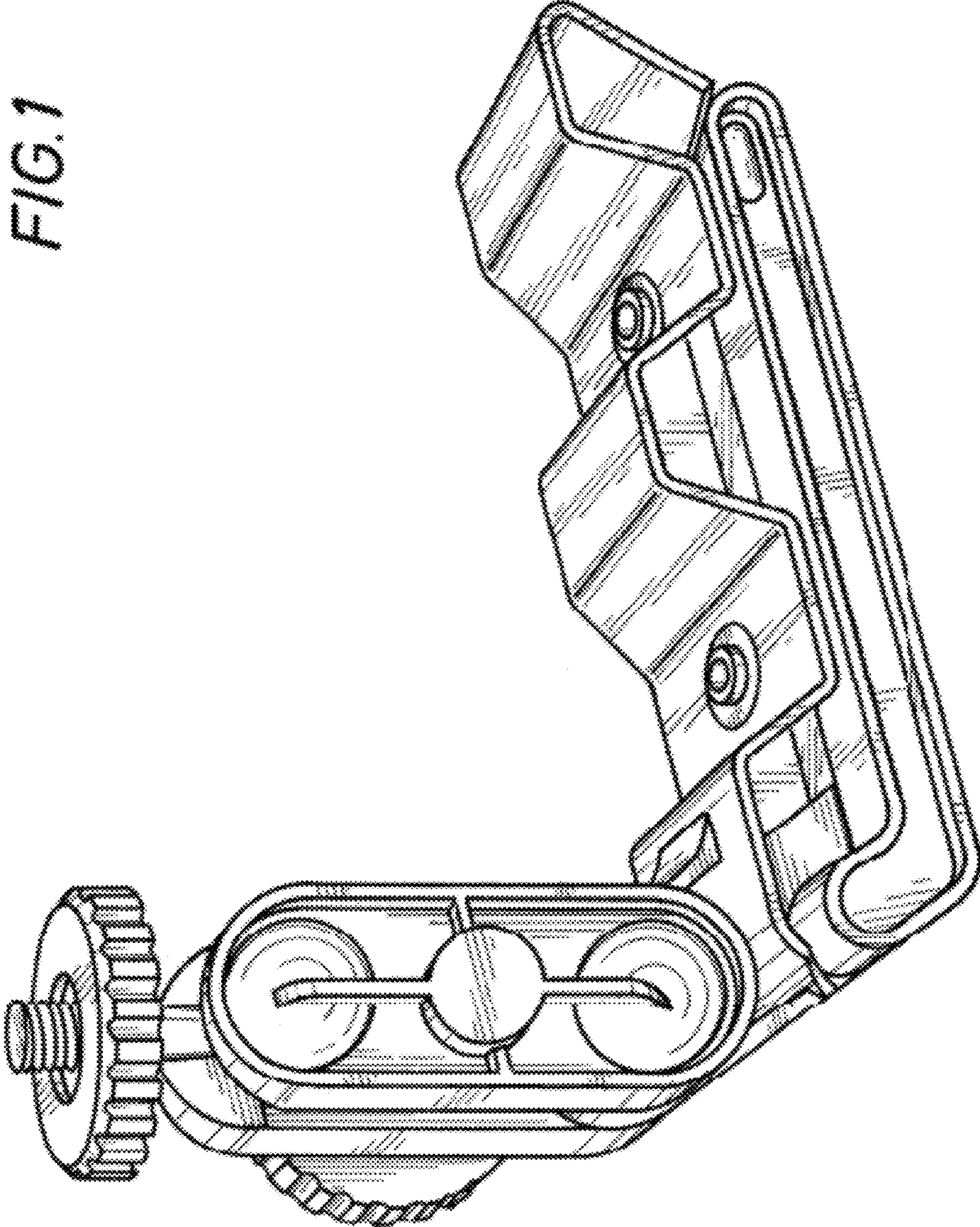


FIG. 1



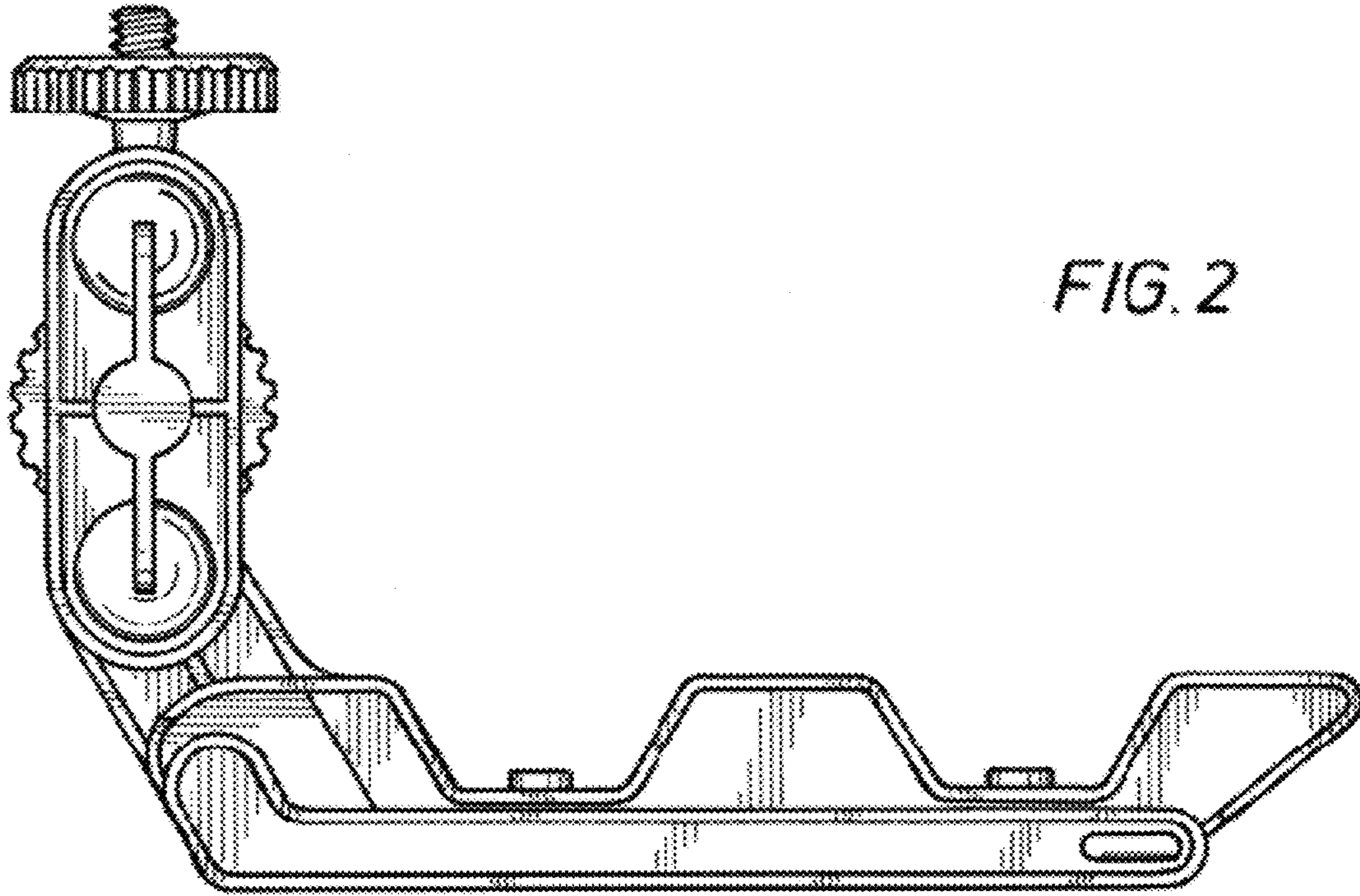


FIG. 2

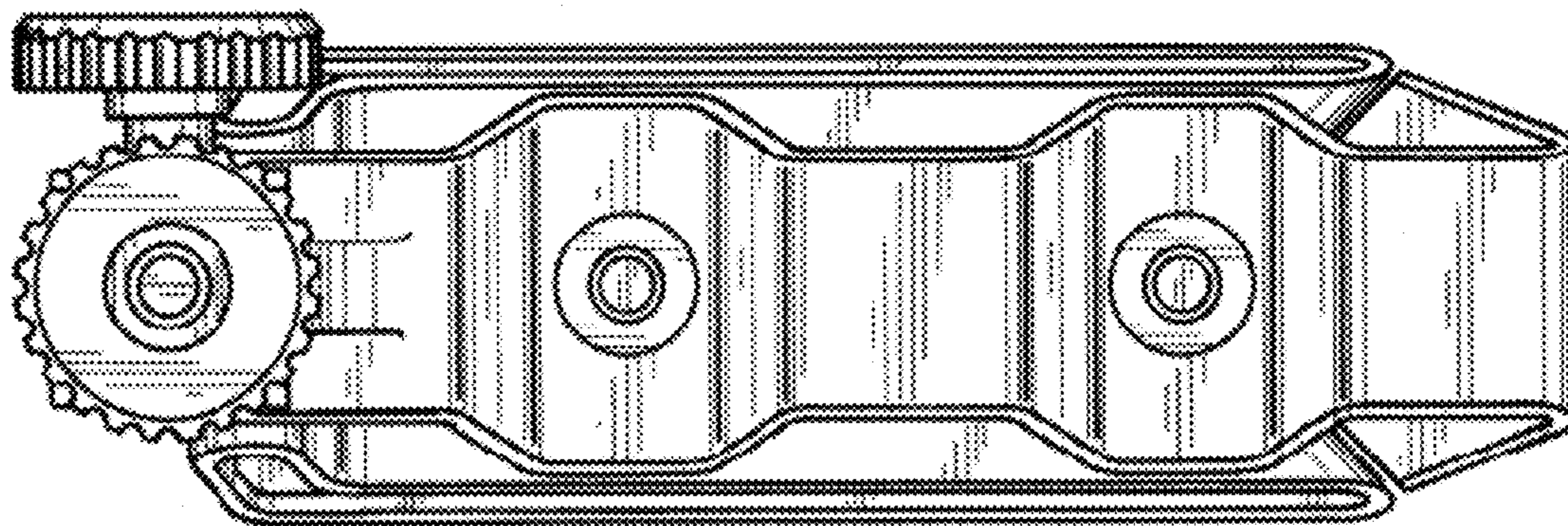


FIG. 3

FIG. 4

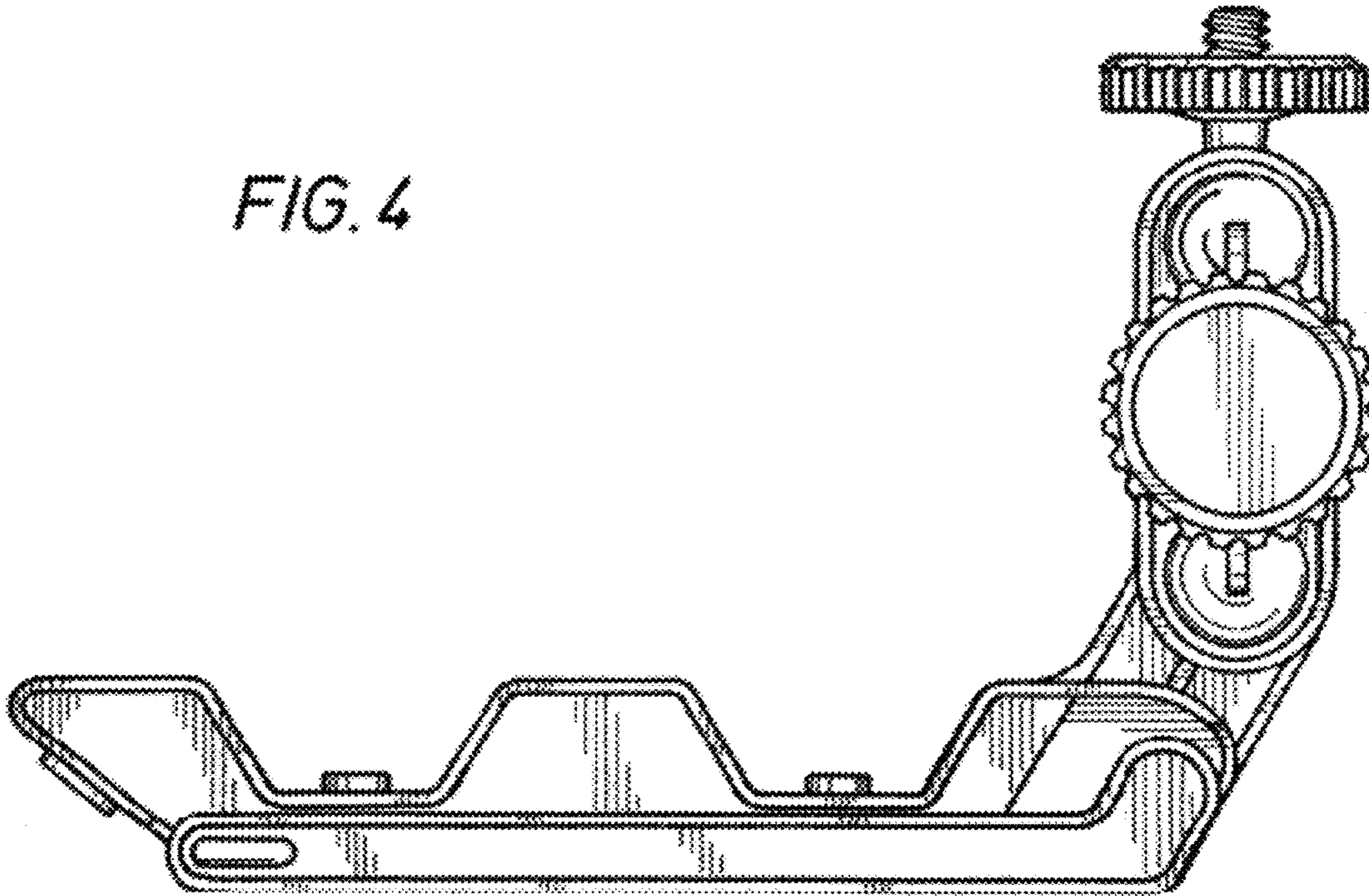
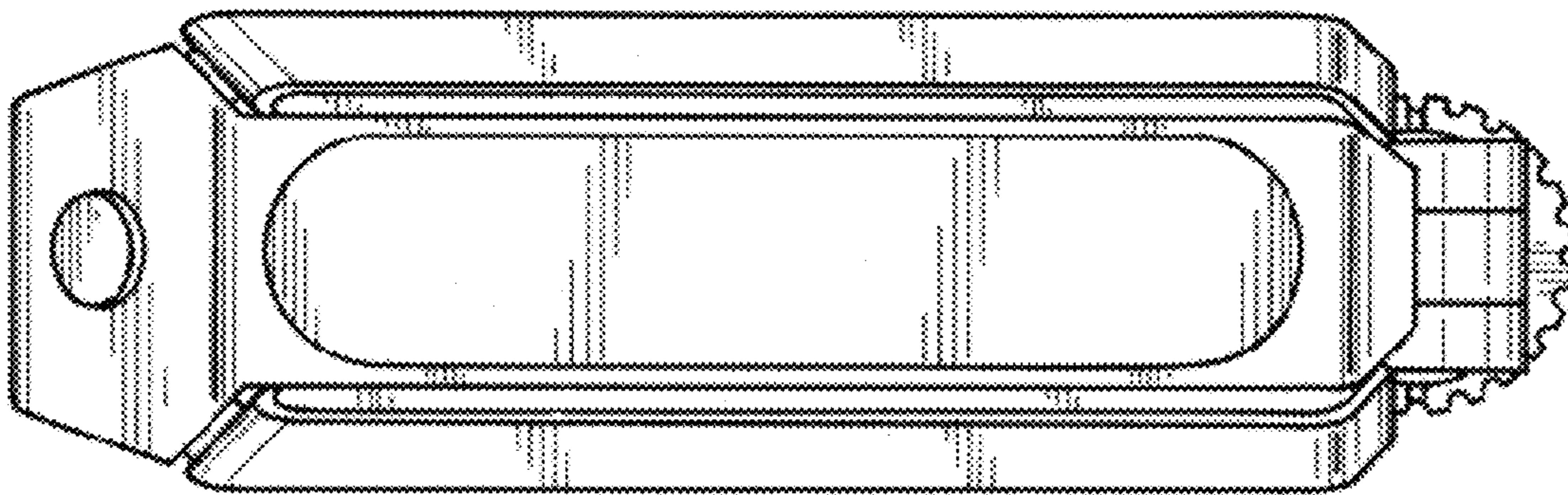


FIG. 5





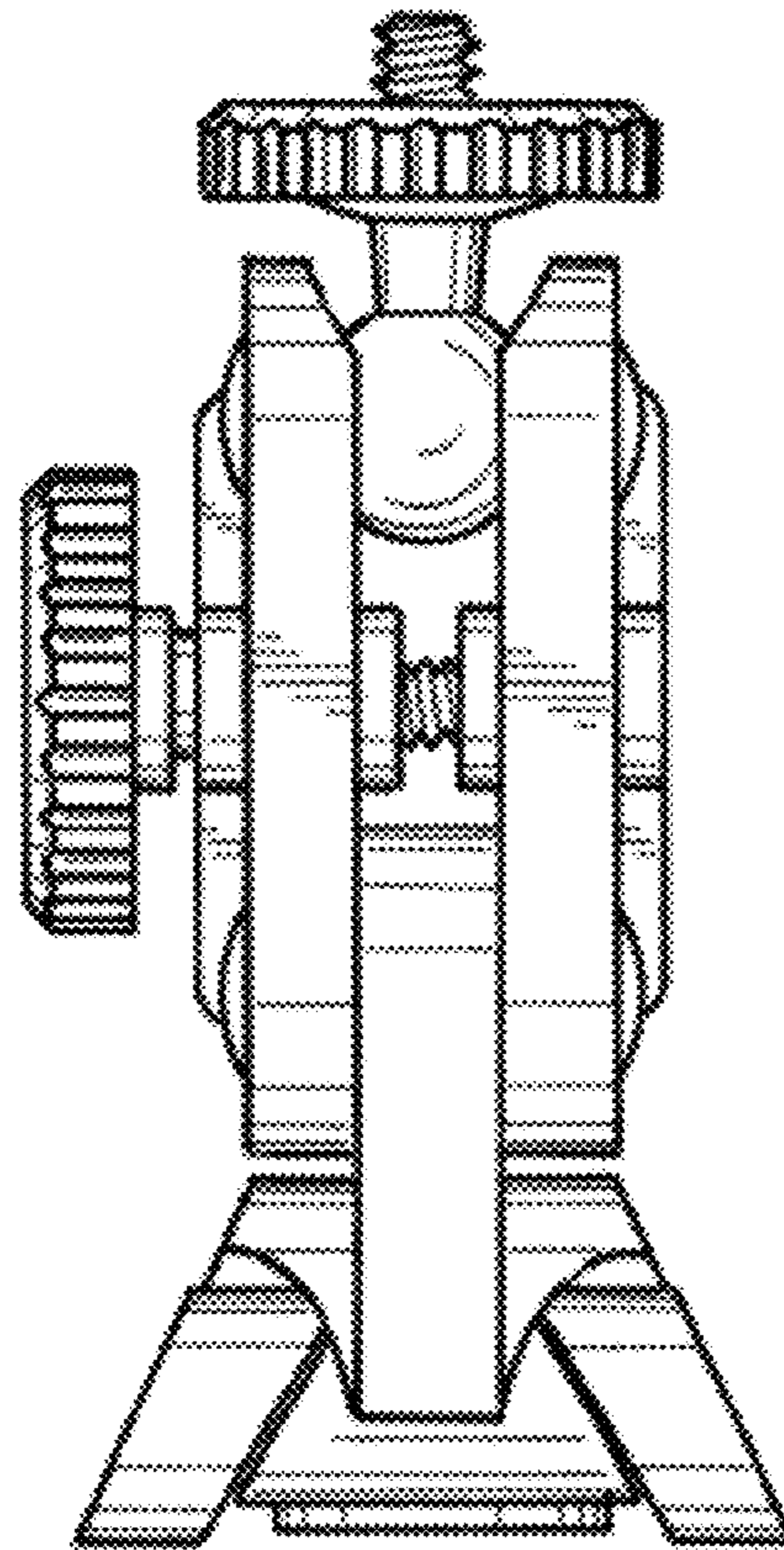


FIG. 6

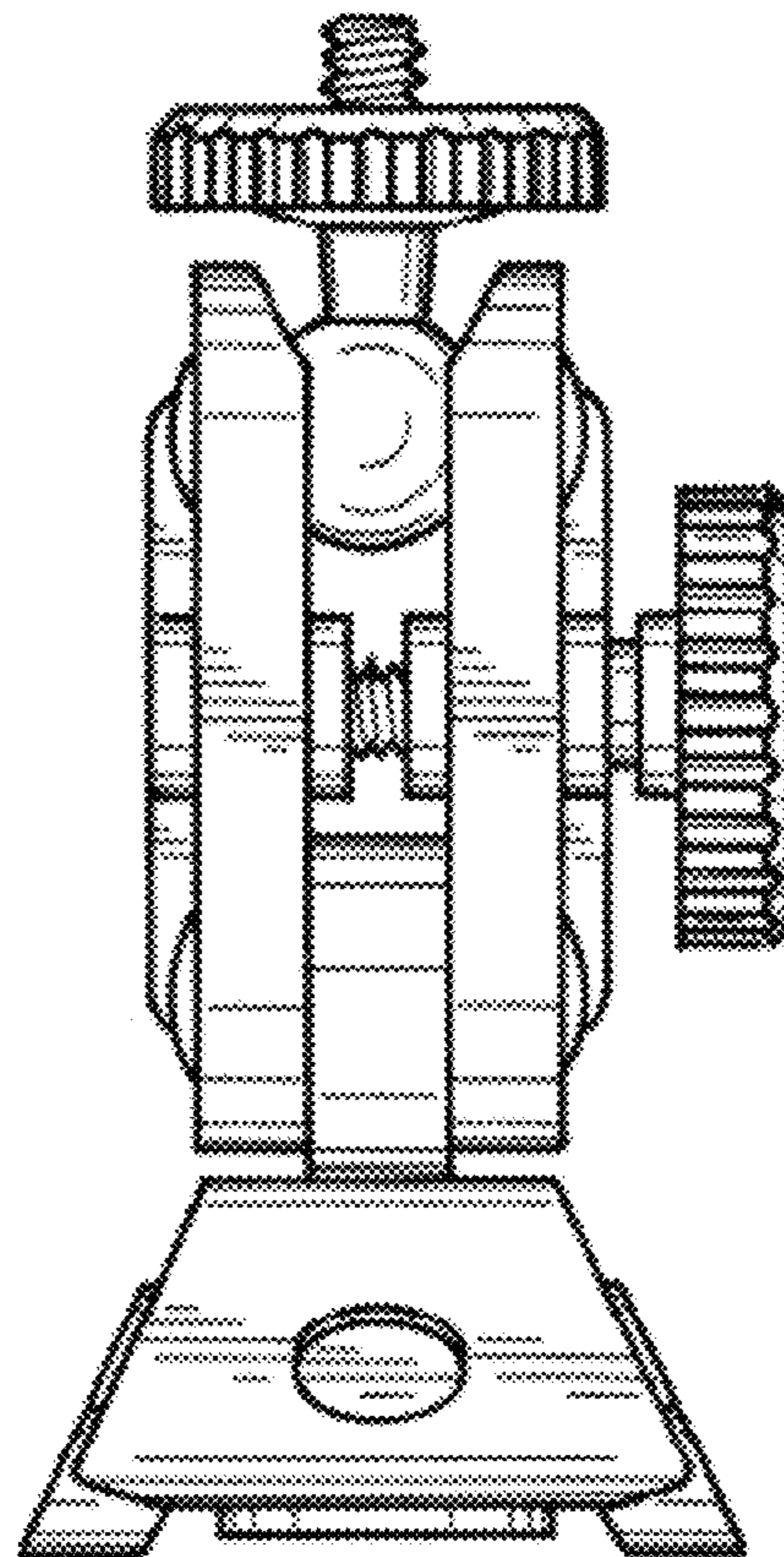


FIG. 7



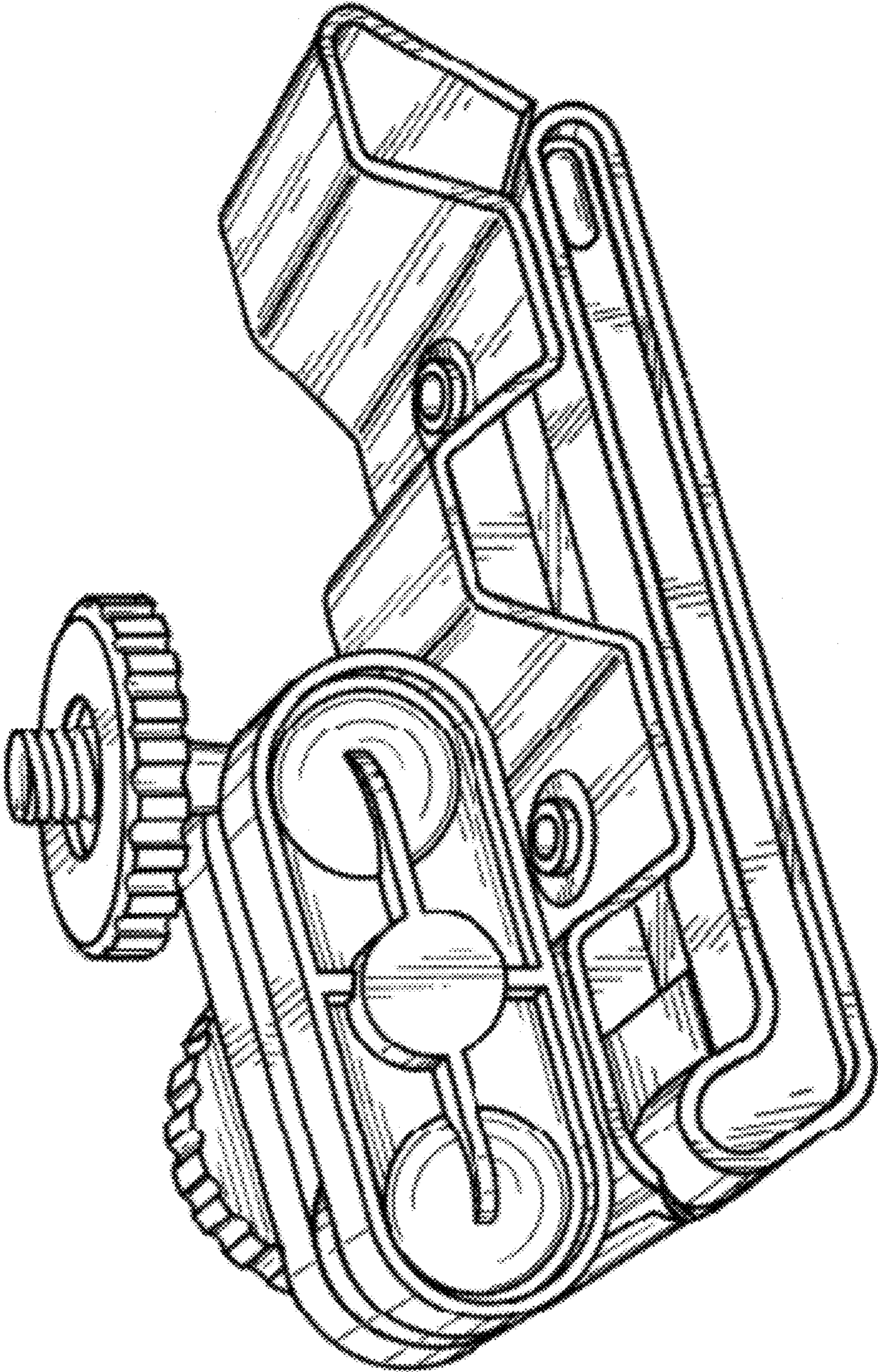


FIG. 8



FIG. 9

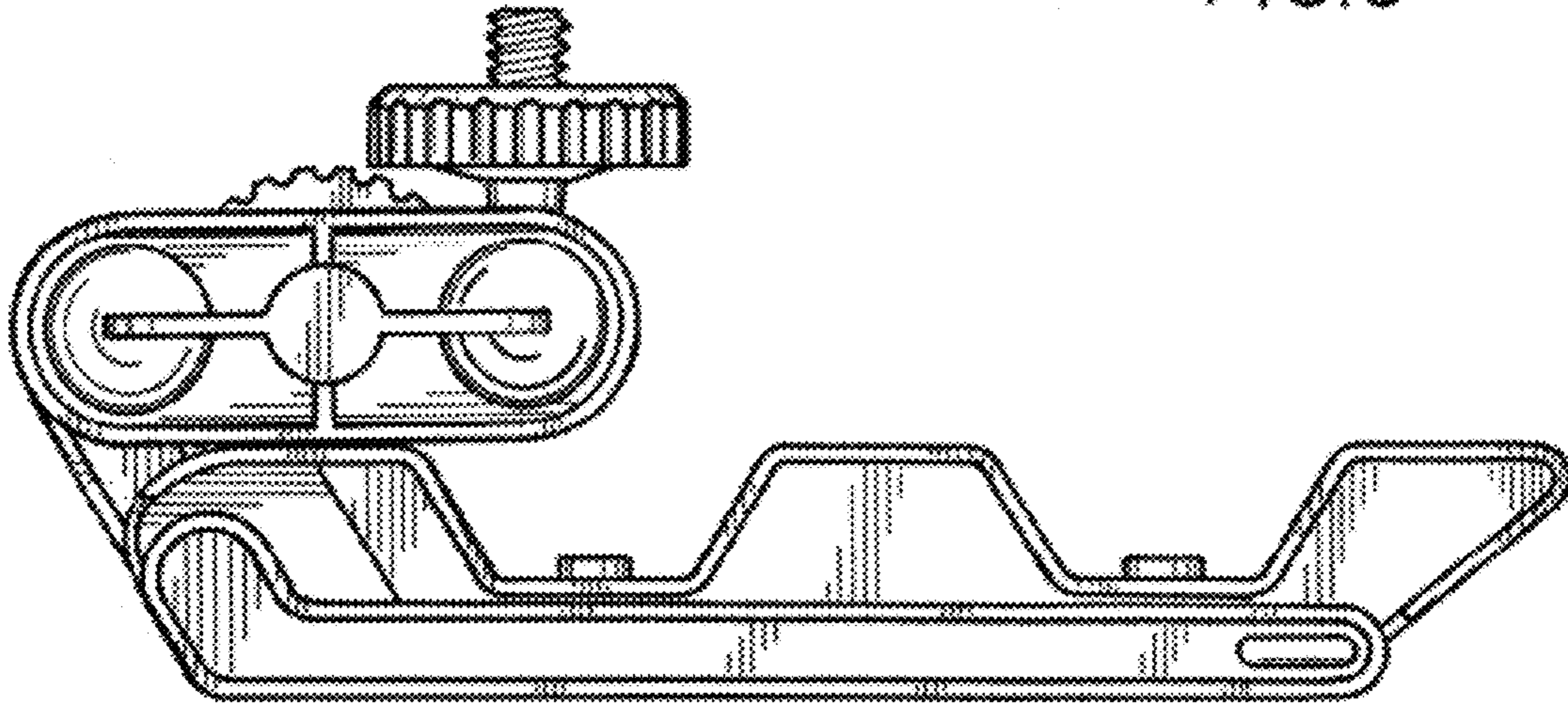


FIG. 10

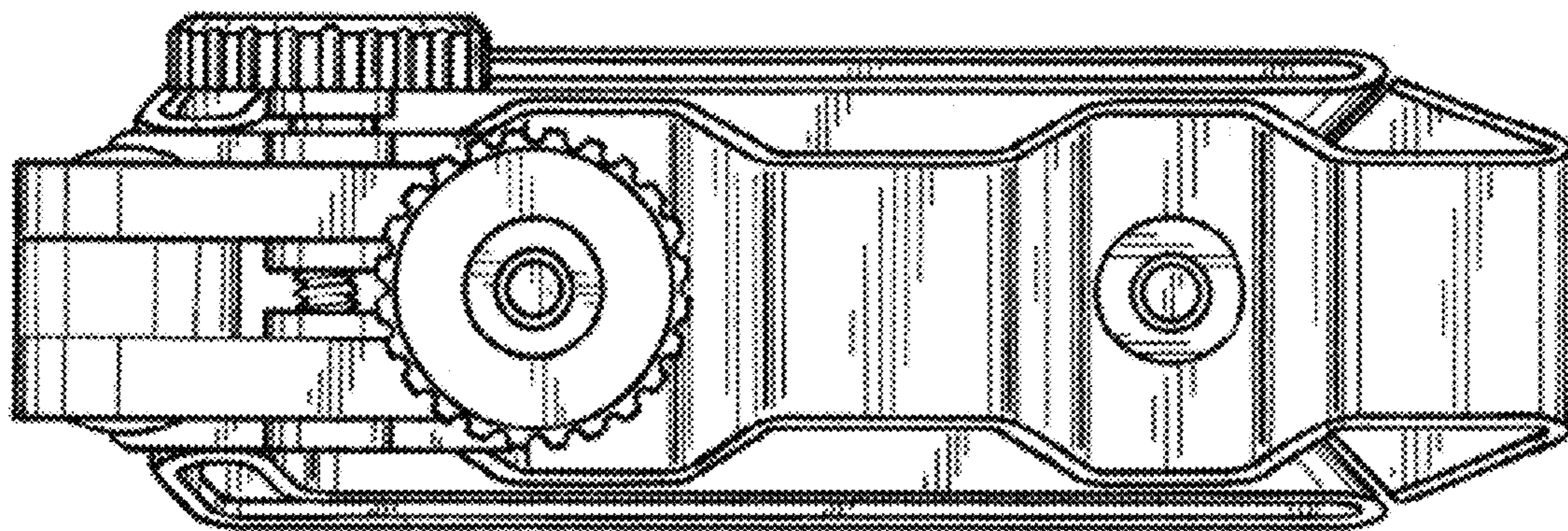


FIG. 11

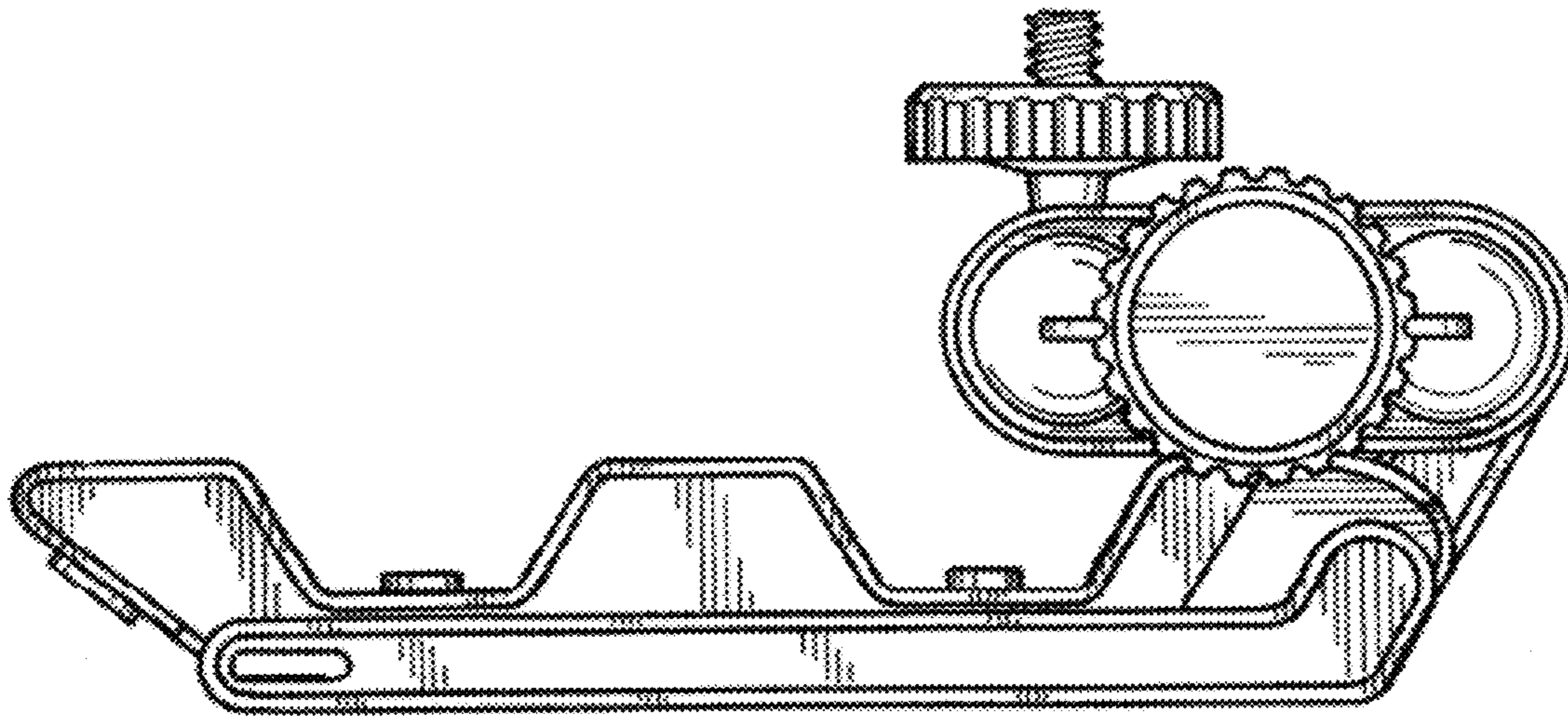
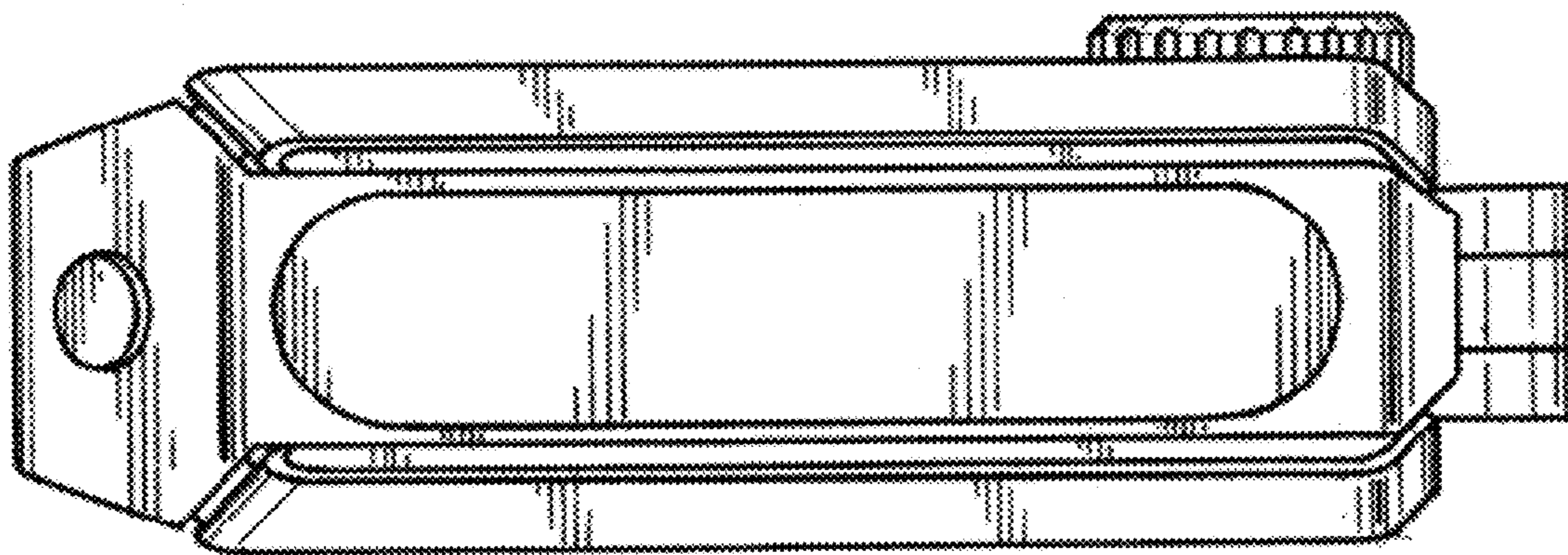
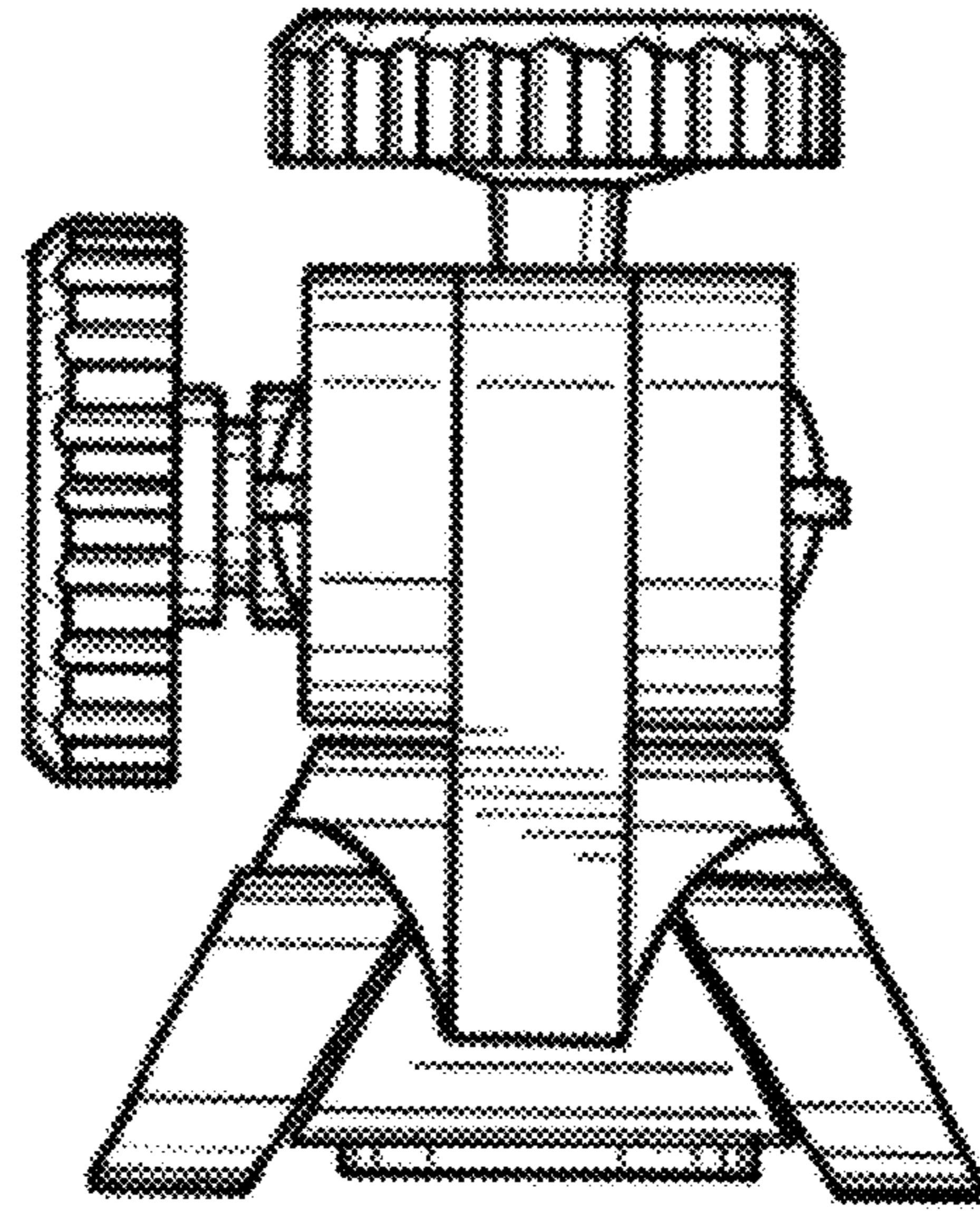


FIG. 12







*FIG. 13*

*FIG. 14*

