



US00D664177S

(12) **United States Design Patent**
Oikawa et al.

(10) **Patent No.:** **US D664,177 S**

(45) **Date of Patent:** **** Jul. 24, 2012**

(54) **VIDEO CAMCORDER**

(75) Inventors: **Yuji Oikawa**, Marina Del Rey, CA (US);
Isamu Arie, San Diego, CA (US)

(73) Assignee: **Sony Corporation**, Tokyo (JP)

(**) Term: **14 Years**

(21) Appl. No.: **29/389,453**

(22) Filed: **Apr. 12, 2011**

Related U.S. Application Data

(63) Continuation of application No. 29/365,659, filed on Jul. 13, 2010, now Pat. No. Des. 638,457.

(51) **LOC (9) Cl.** **16-01**

(52) **U.S. Cl.** **D16/202**

(58) **Field of Classification Search** D16/200–204,
D16/208, 218, 219; 348/373–376; 358/909.1;
396/535–541

See application file for complete search history.

(56) **References Cited**

U.S. PATENT DOCUMENTS

6,950,142	B2 *	9/2005	Soumi et al.	348/375
D527,403	S *	8/2006	Byun et al.	D16/202
D542,820	S *	5/2007	Depay	D16/202
7,605,862	B2 *	10/2009	Hou	348/373
D618,265	S *	6/2010	Wozniak	D16/202

D619,155	S *	7/2010	Kim et al.	D16/202
D627,380	S *	11/2010	Sheppard et al.	D16/202
D638,458	S *	5/2011	Miyamori et al.	D16/202
D641,771	S *	7/2011	Sasaki et al.	D16/202

* cited by examiner

Primary Examiner — Adir Aronovich

(74) *Attorney, Agent, or Firm* — John L. Rogitz

(57) **CLAIM**

The ornamental design for a video camcorder, as shown and described.

DESCRIPTION

FIG. 1 is a front and top perspective of a video camcorder showing the new design;

FIG. 2 is a front, bottom, and right side perspective view thereof;

FIG. 3 is a rear, bottom, and left side perspective view thereof;

FIG. 4 is a rear elevational view thereof;

FIG. 5 is a front elevational view thereof;

FIG. 6 is a left side elevational view thereof;

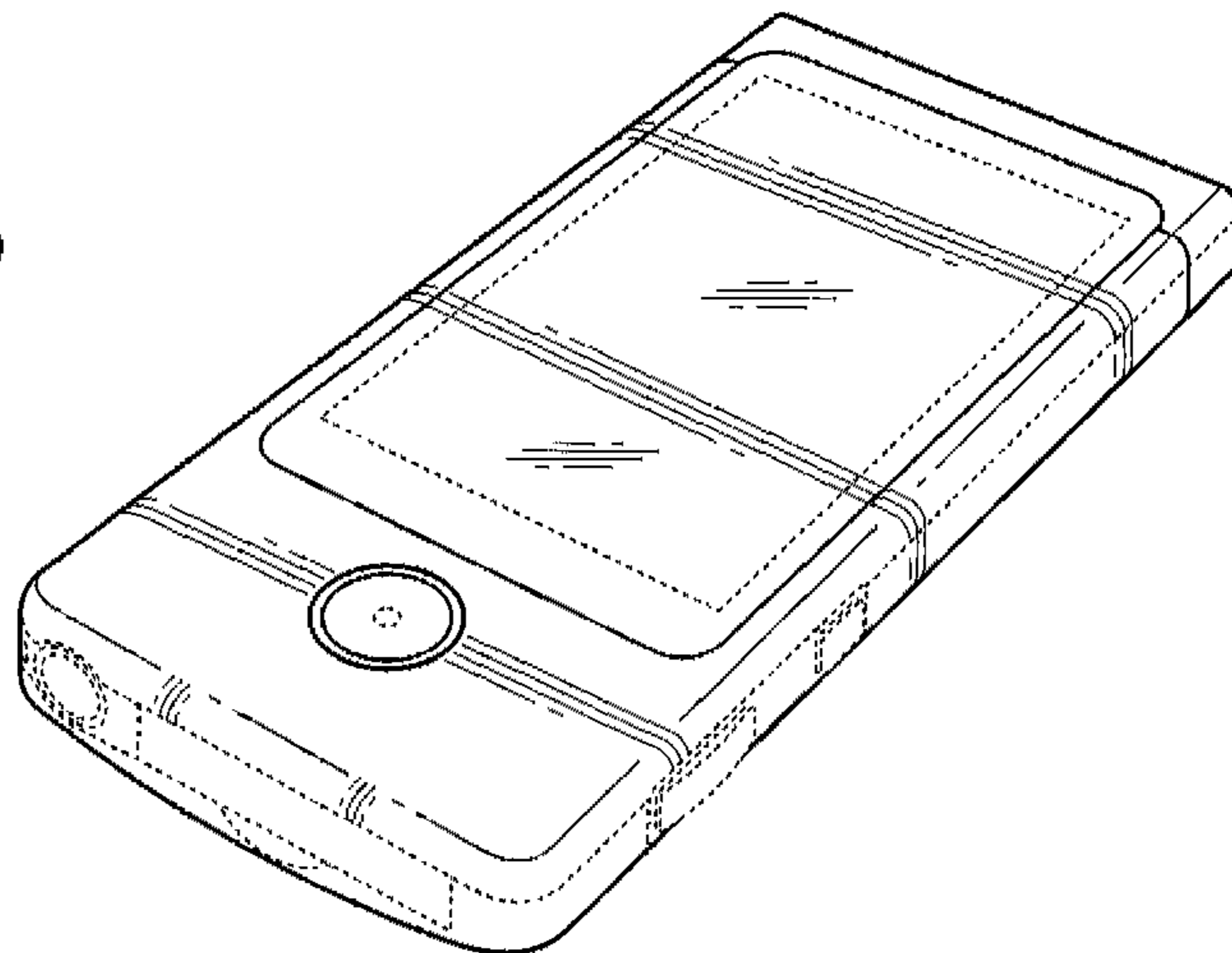
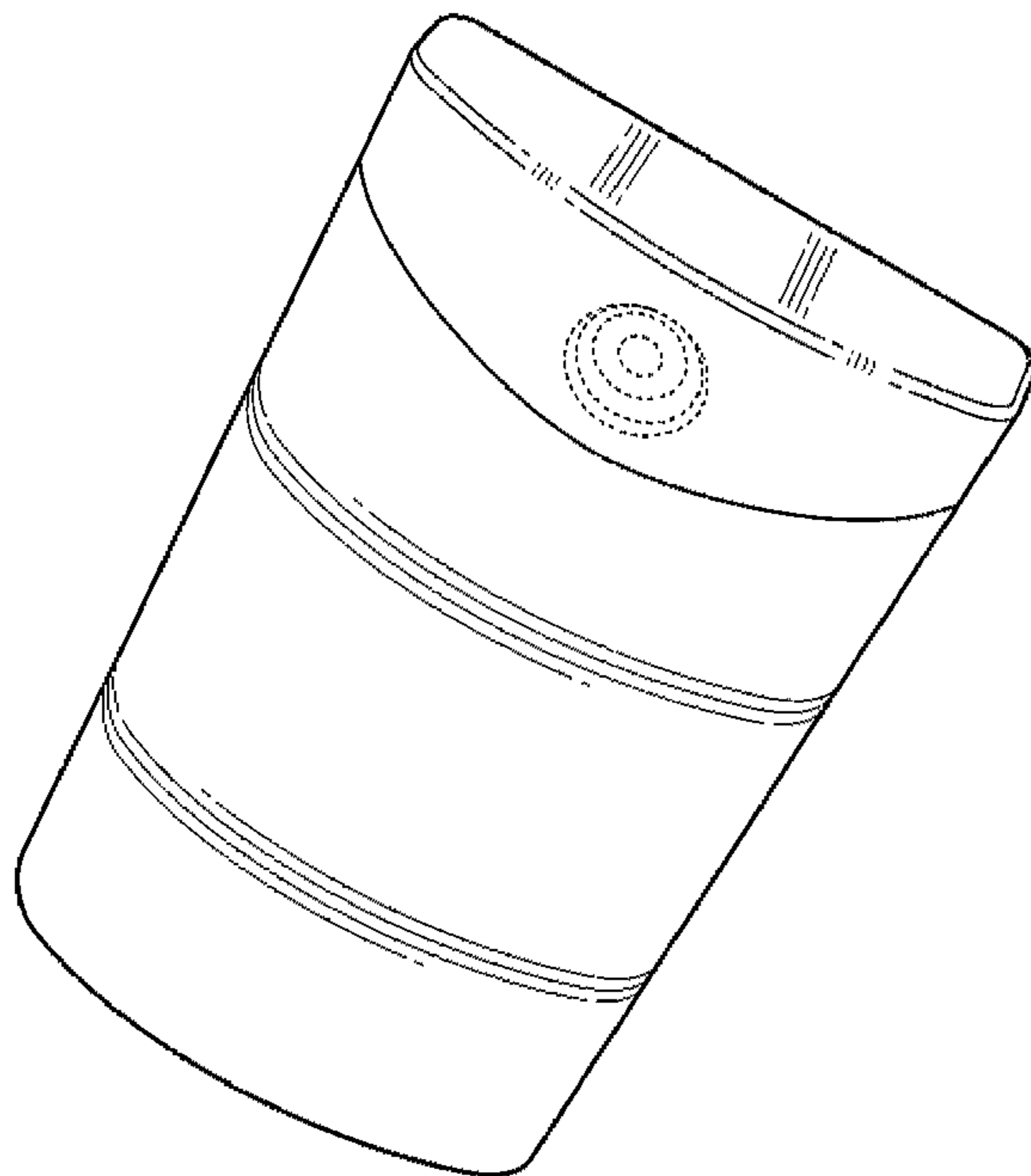
FIG. 7 is a right side elevational view thereof;

FIG. 8 is a top plan view thereof; and,

FIG. 9 is a bottom plan view thereof.

The portions of a video camcorder in broken lines are shown for illustrative purposes only and form no part of the claimed design.

1 Claim, 4 Drawing Sheets



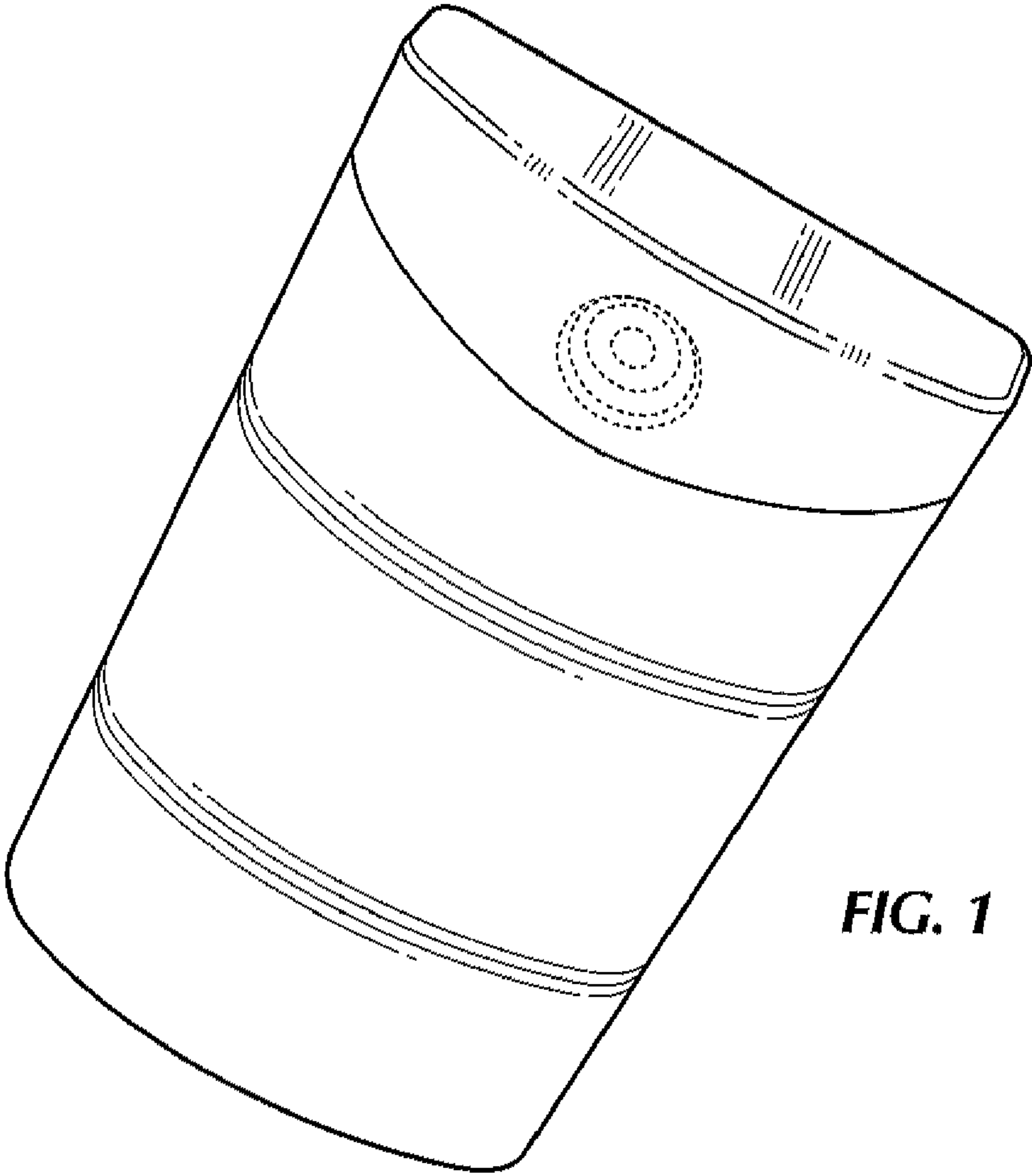


FIG. 1

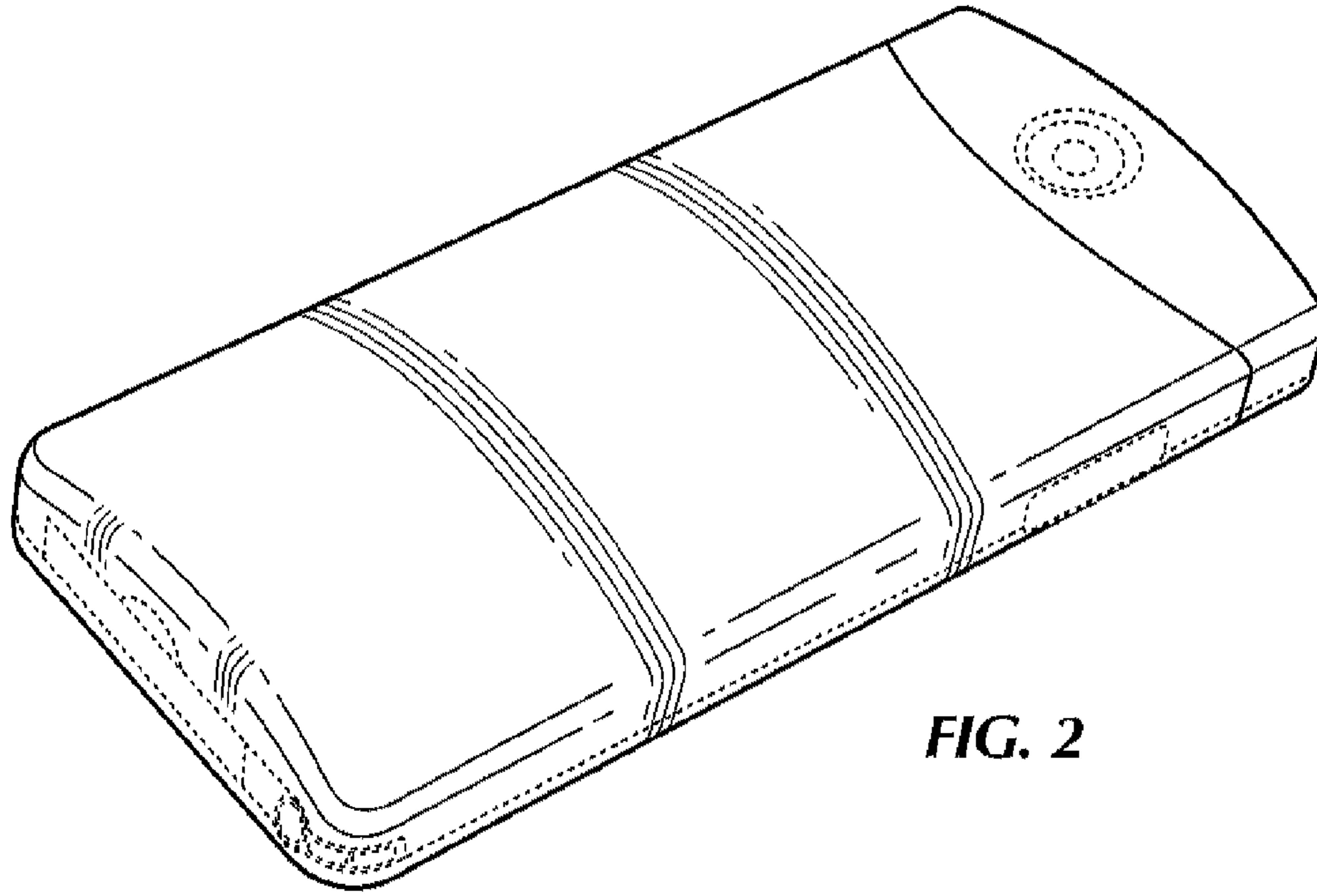


FIG. 2

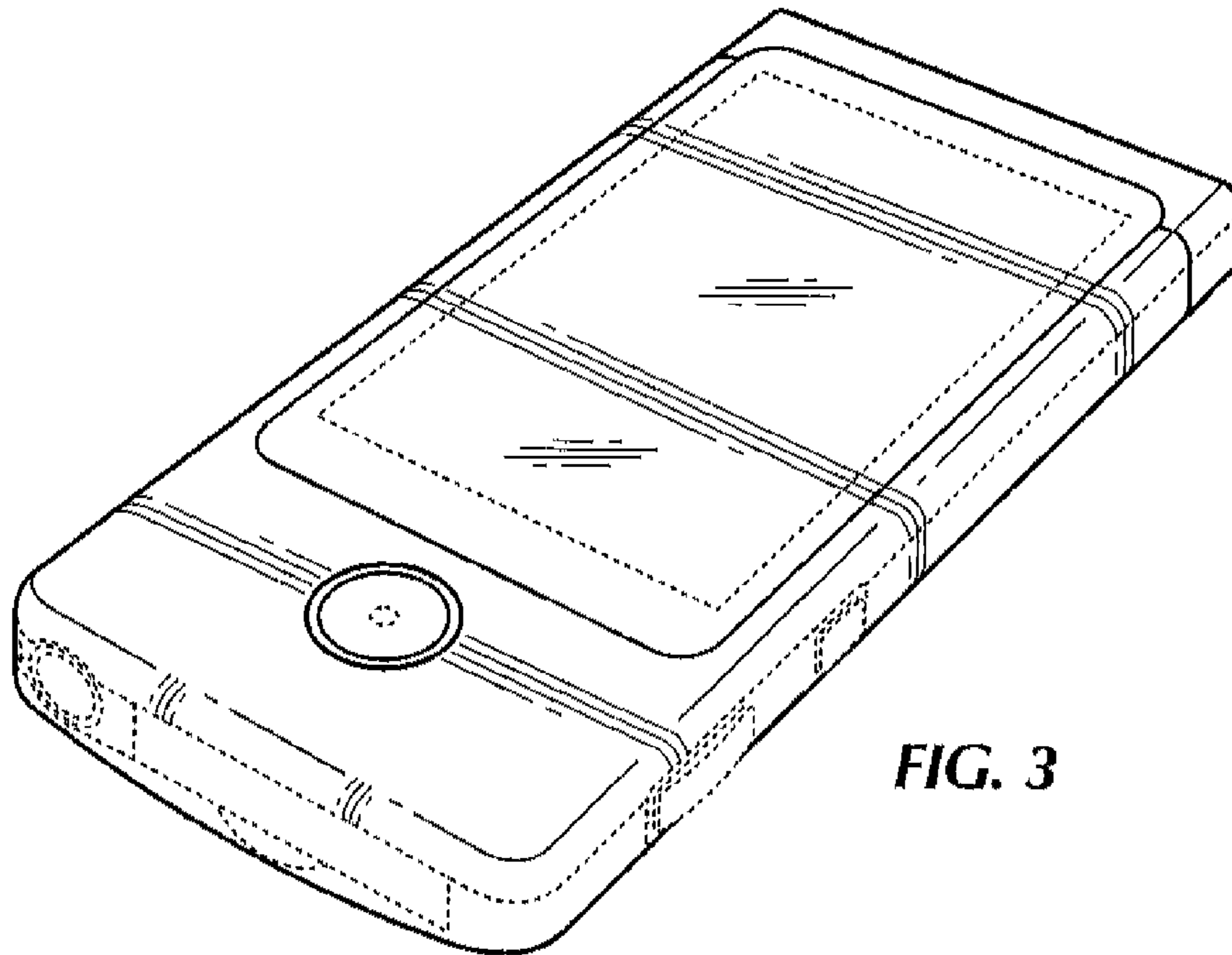


FIG. 3

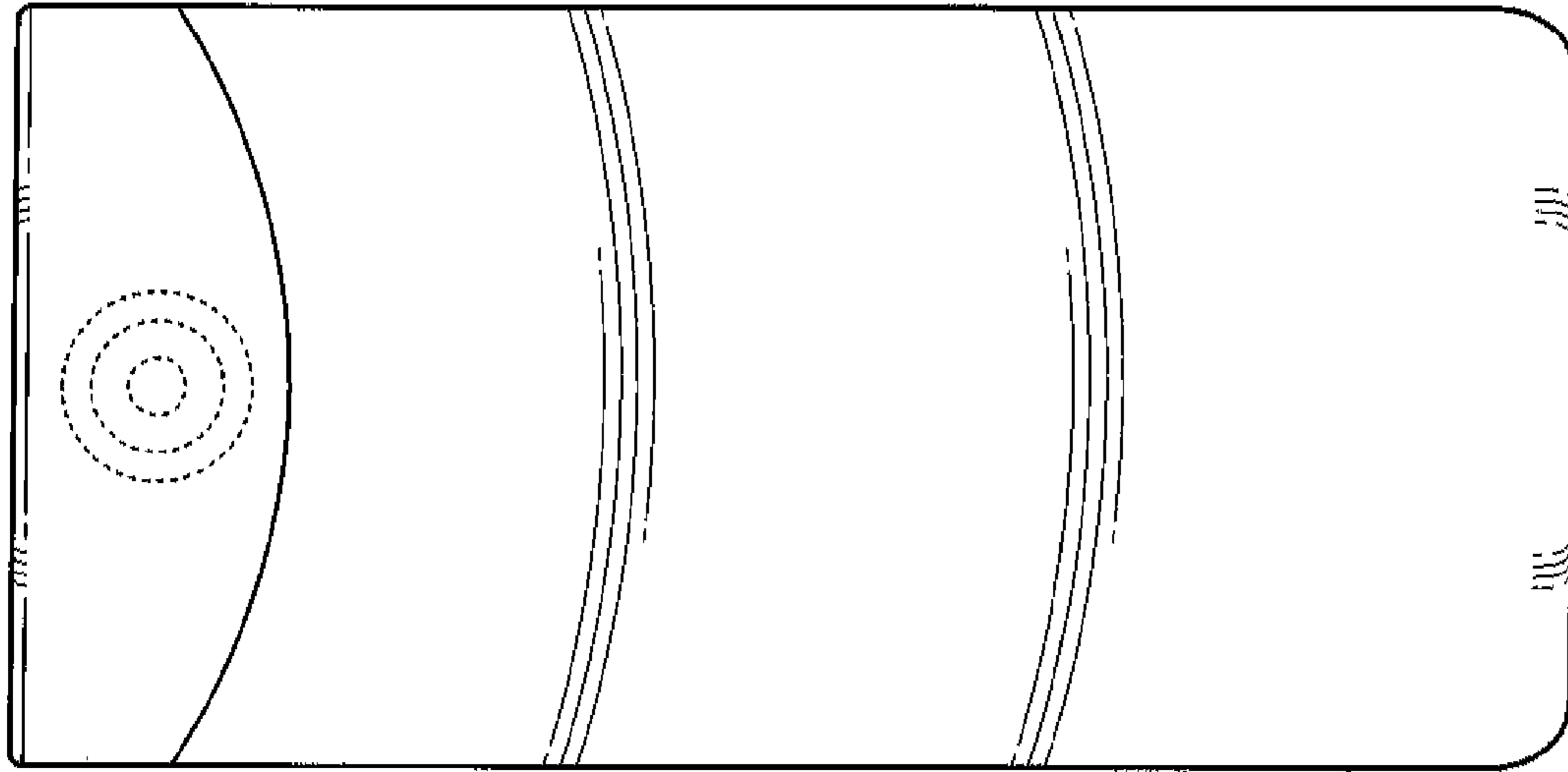


FIG. 4

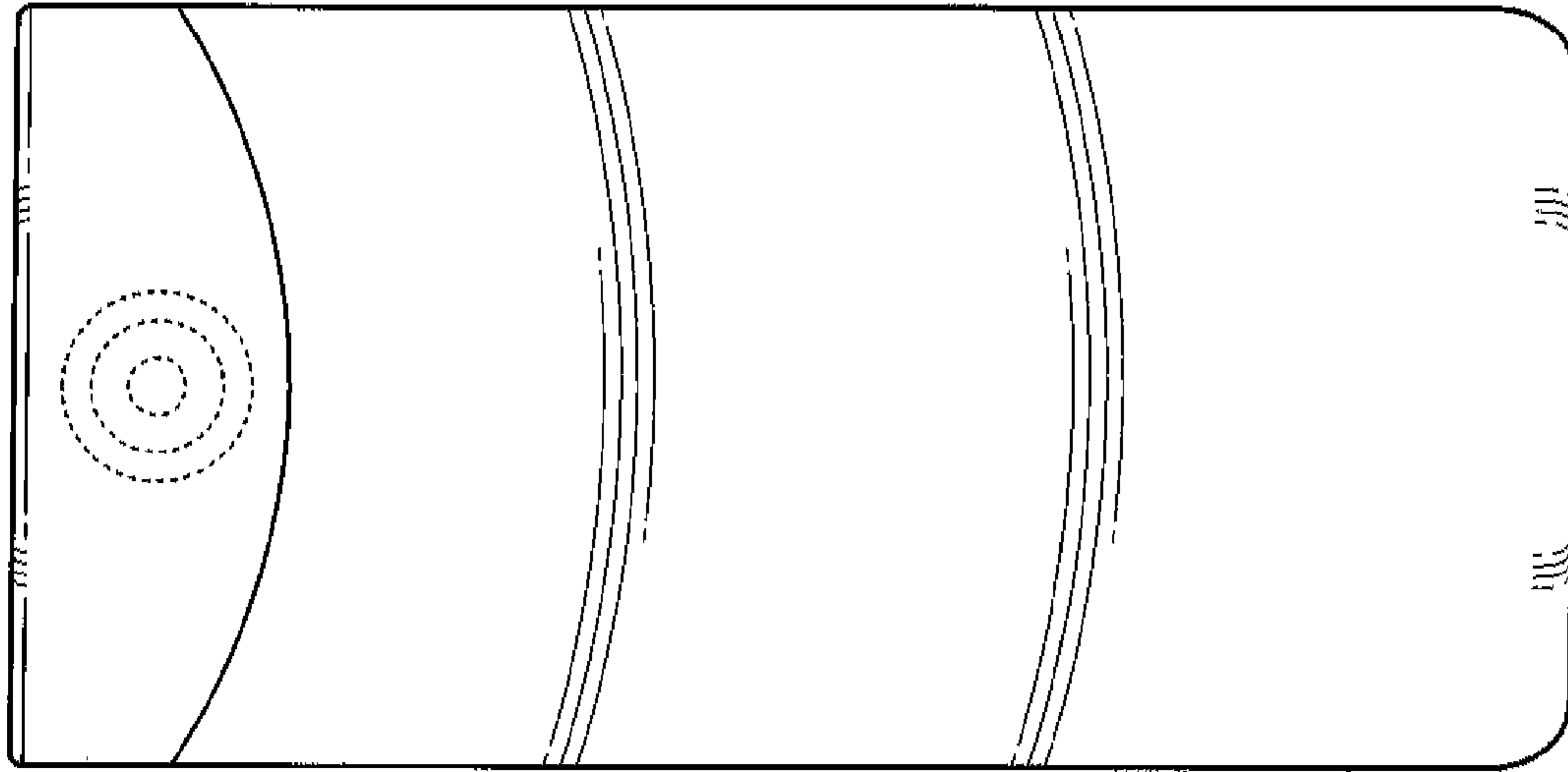


FIG. 5

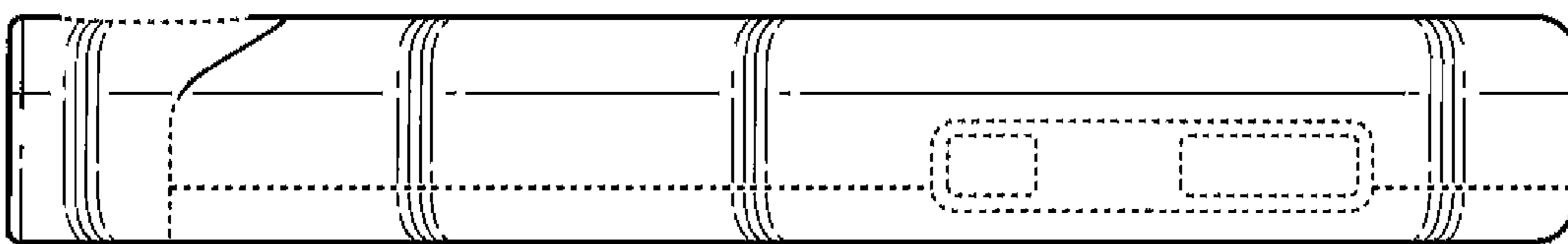


FIG. 6

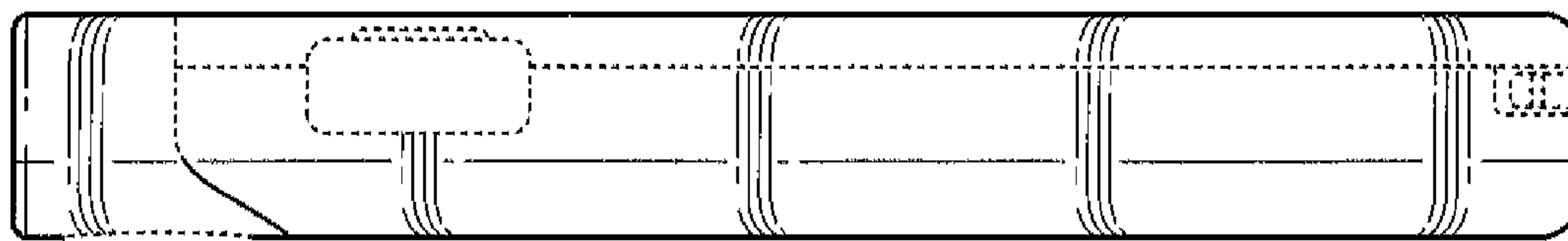


FIG. 7

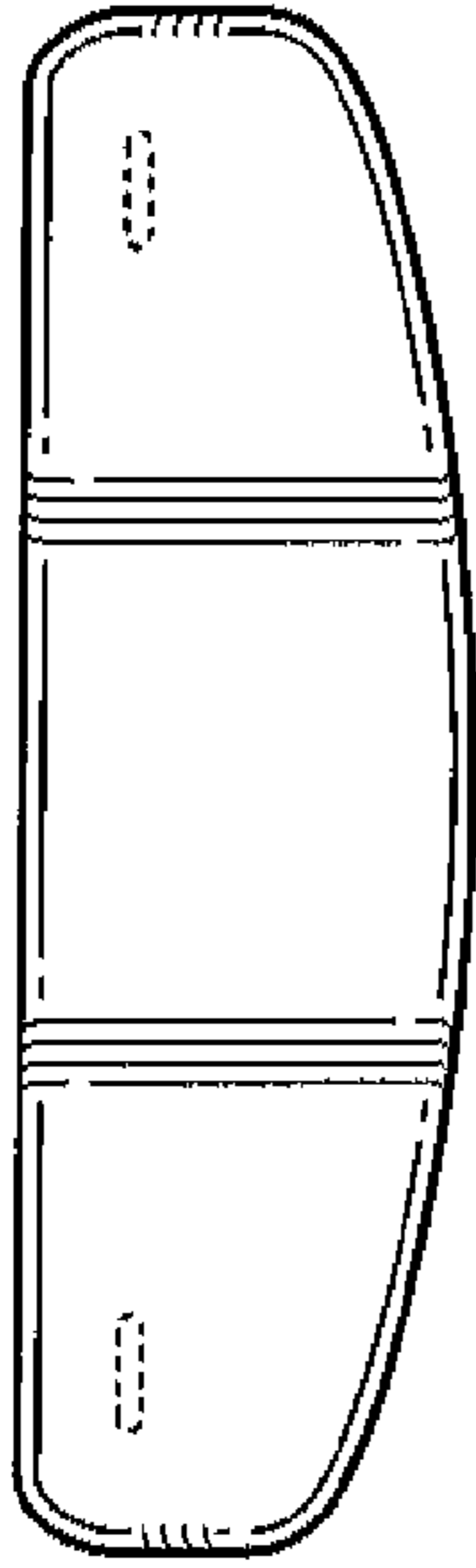


FIG. 8

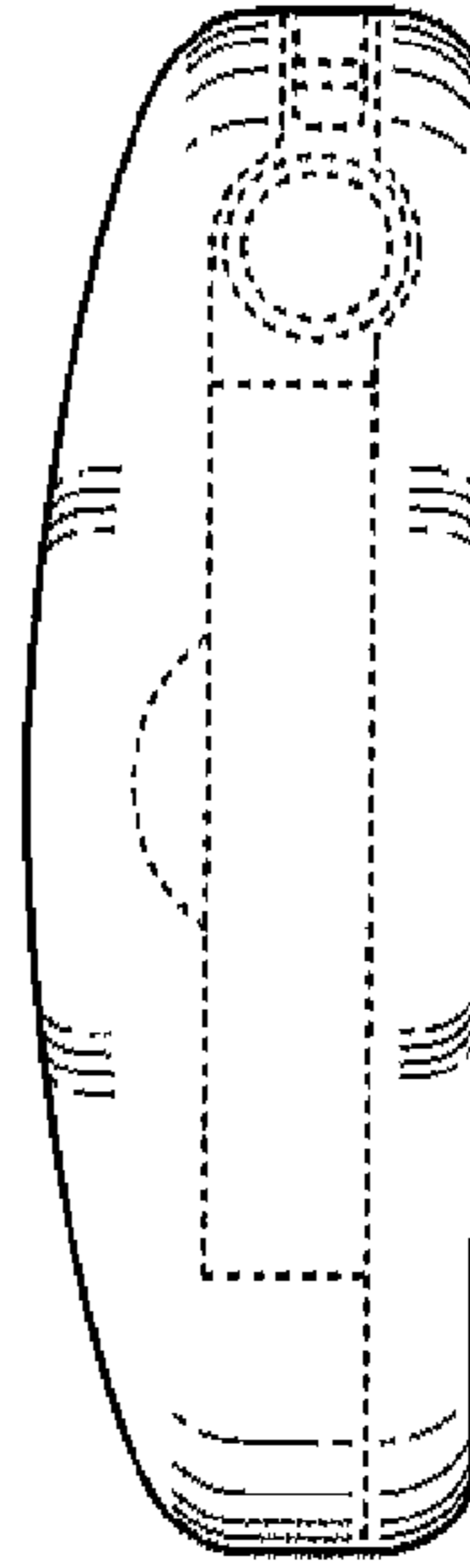


FIG. 9