



US00D664176S

(12) **United States Design Patent**  
**Naoya**

(10) **Patent No.:** **US D664,176 S**  
(45) **Date of Patent:** **\*\* Jul. 24, 2012**

(54) **CAMCORDER**

(75) Inventor: **Nishizawa Naoya**, Tokyo (JP)

(73) Assignee: **Samsung Electronics Co., Ltd.**,  
Suwon-si (KR)

(\*\*) Term: **14 Years**

(21) Appl. No.: **29/385,468**

(22) Filed: **Feb. 15, 2011**

(51) **LOC (9) Cl.** ..... **16-01**

(52) **U.S. Cl.** ..... **D16/202**

(58) **Field of Classification Search** ..... D16/200,  
D16/202, 203, 204, 208, 218; 348/373-376;  
396/535-541

See application file for complete search history.

(56) **References Cited**

**U.S. PATENT DOCUMENTS**

4,394,692	A *	7/1983	Randmae et al.	.....	348/374
6,683,654	B1 *	1/2004	Haijima	.....	348/374
6,728,480	B1 *	4/2004	Maeda et al.	.....	396/427
D529,063	S *	9/2006	Cheng	.....	D16/203
7,221,402	B2 *	5/2007	Cheng	.....	348/375
D592,231	S *	5/2009	Schnell	.....	D16/202

D613,323	S *	4/2010	Jang et al.	.....	D16/202
D614,222	S *	4/2010	Yamakawa	.....	D16/203
7,859,592	B2 *	12/2010	Takahashi et al.	.....	348/373
D637,222	S *	5/2011	Jang et al.	.....	D16/203

\* cited by examiner

*Primary Examiner* — Adir Aronovich

(74) *Attorney, Agent, or Firm* — Ladas & Parry LLP

(57) **CLAIM**

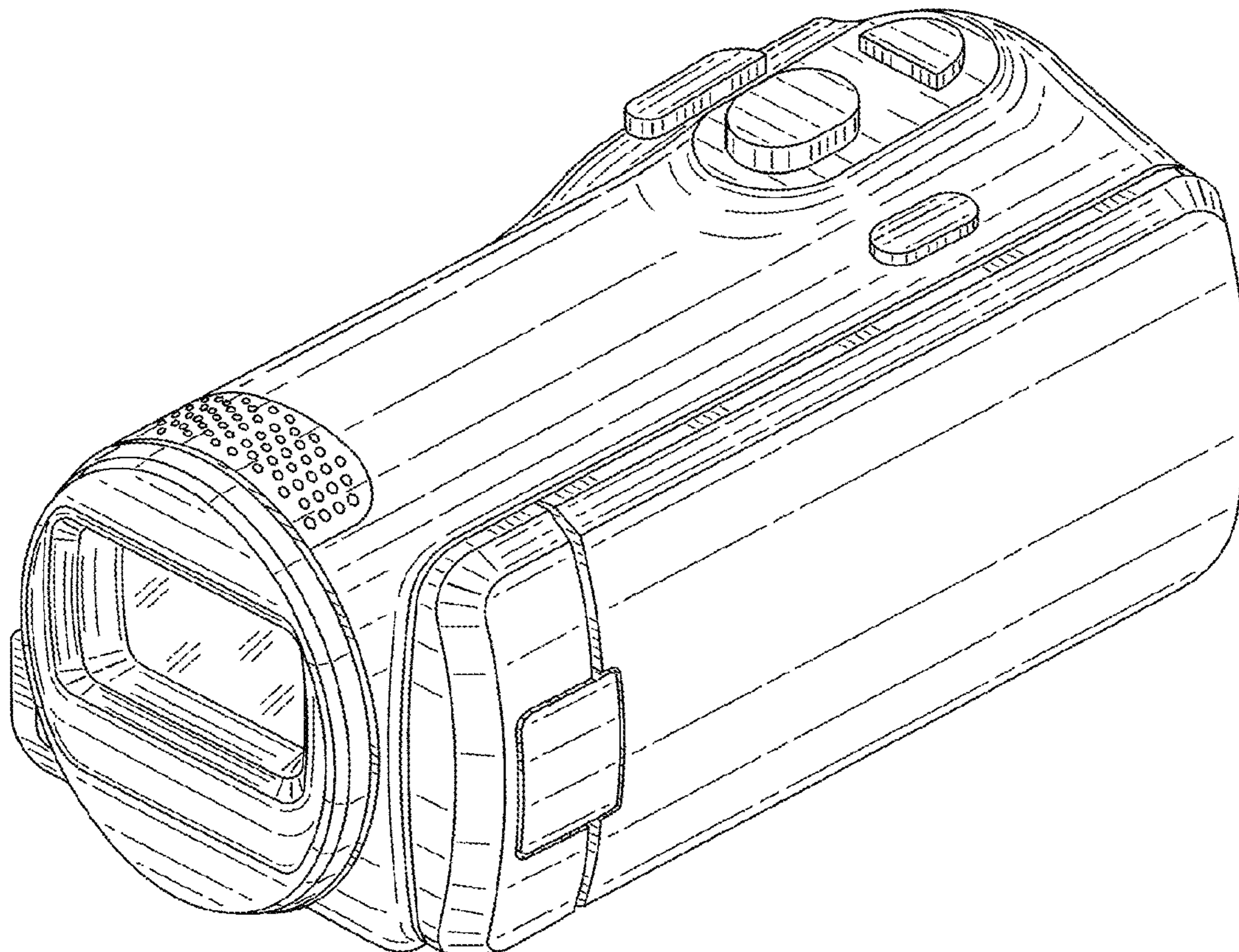
The ornamental design for a camcorder, as shown and described.

**DESCRIPTION**

FIG. 1 is a top, front and right side perspective view of a camcorder showing my new design;  
FIG. 2 is a front elevational view thereof;  
FIG. 3 is a rear elevational view thereof;  
FIG. 4 is a left side elevational view thereof;  
FIG. 5 is a right side elevational view thereof;  
FIG. 6 is a top plan view thereof; and,  
FIG. 7 is a bottom plan view thereof.

The portions of the camcorder in broken lines are shown for illustrative purposes only and form no part of the claimed design.

**1 Claim, 7 Drawing Sheets**



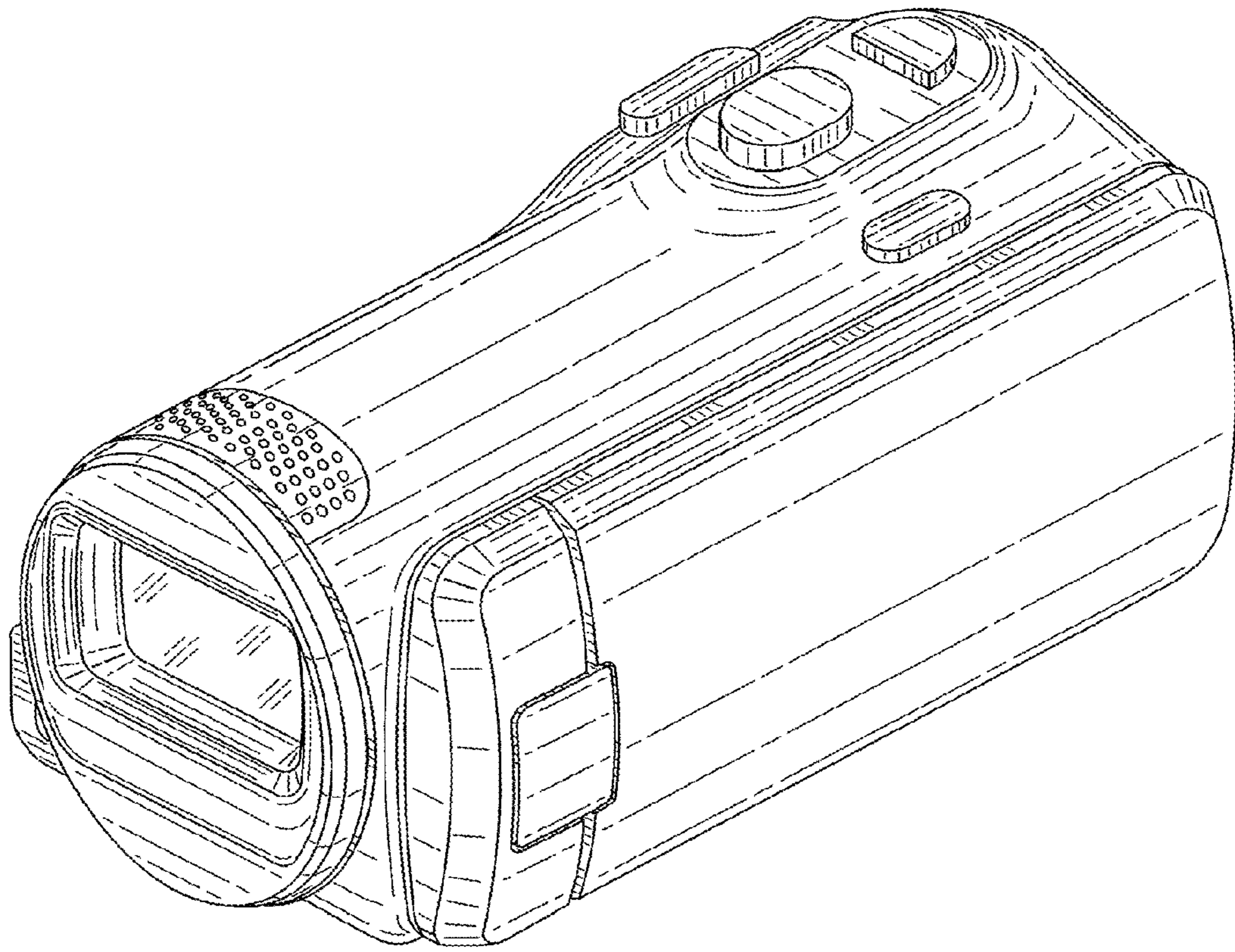


FIG. 1

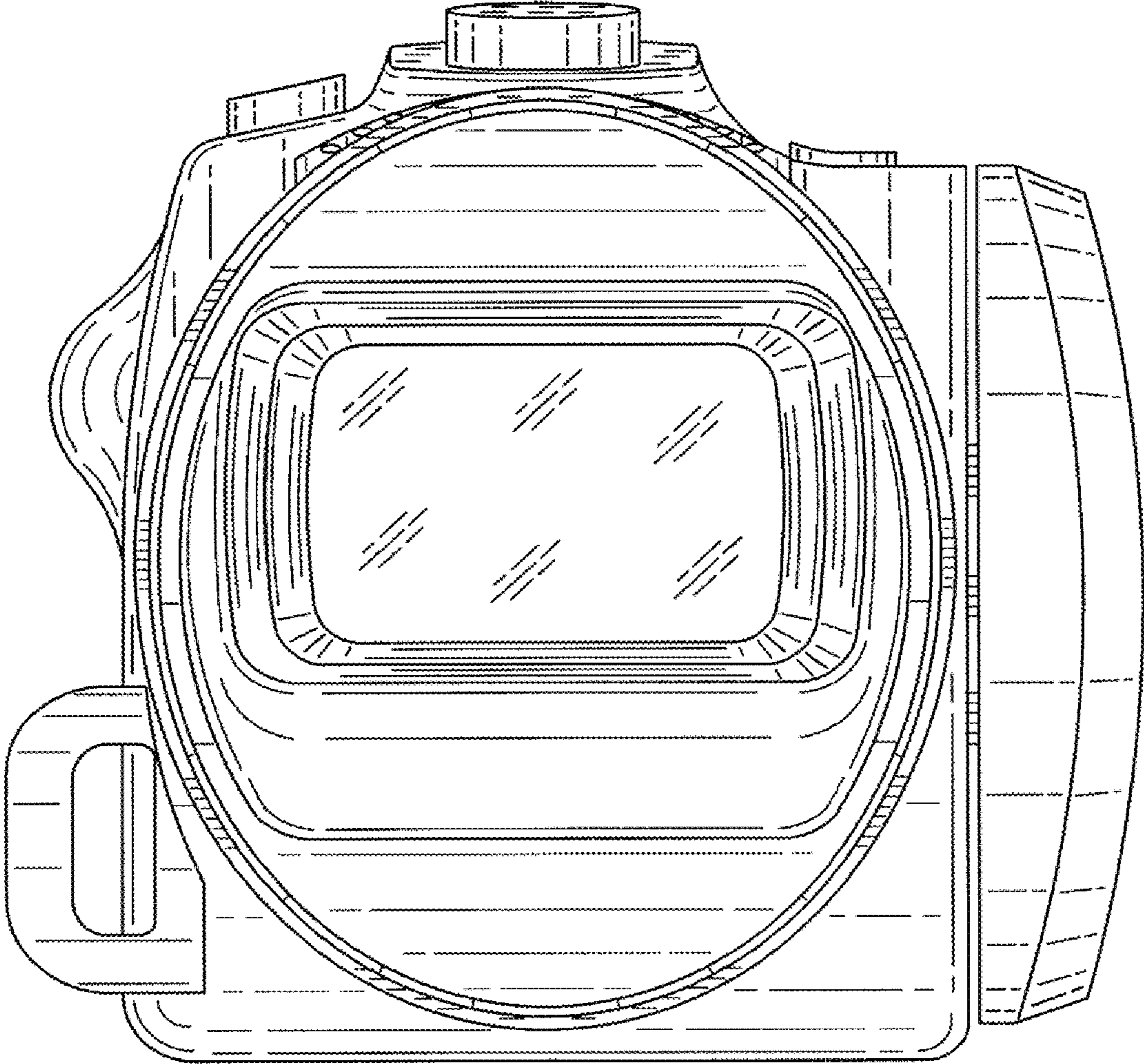


FIG. 2

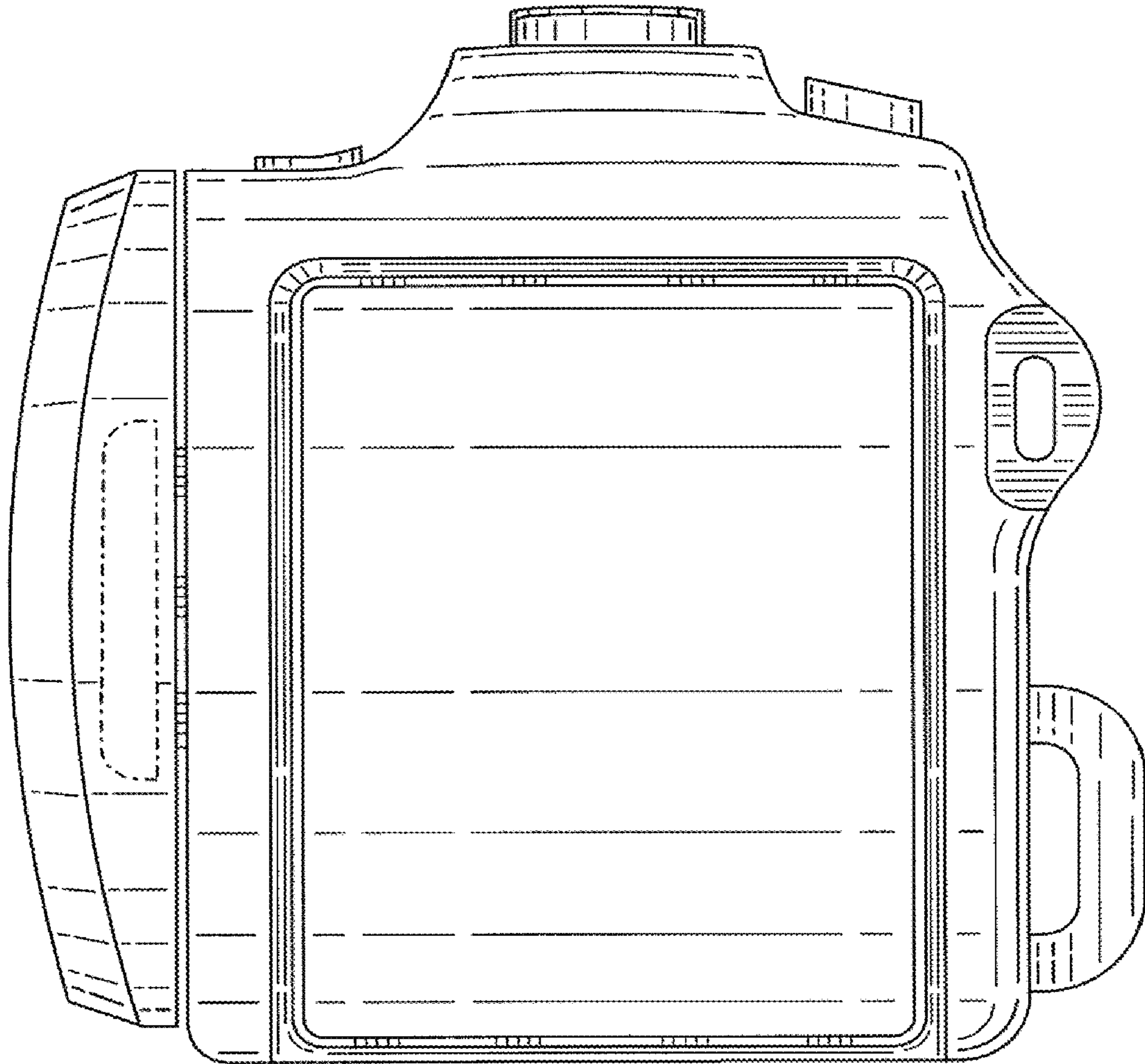


FIG. 3

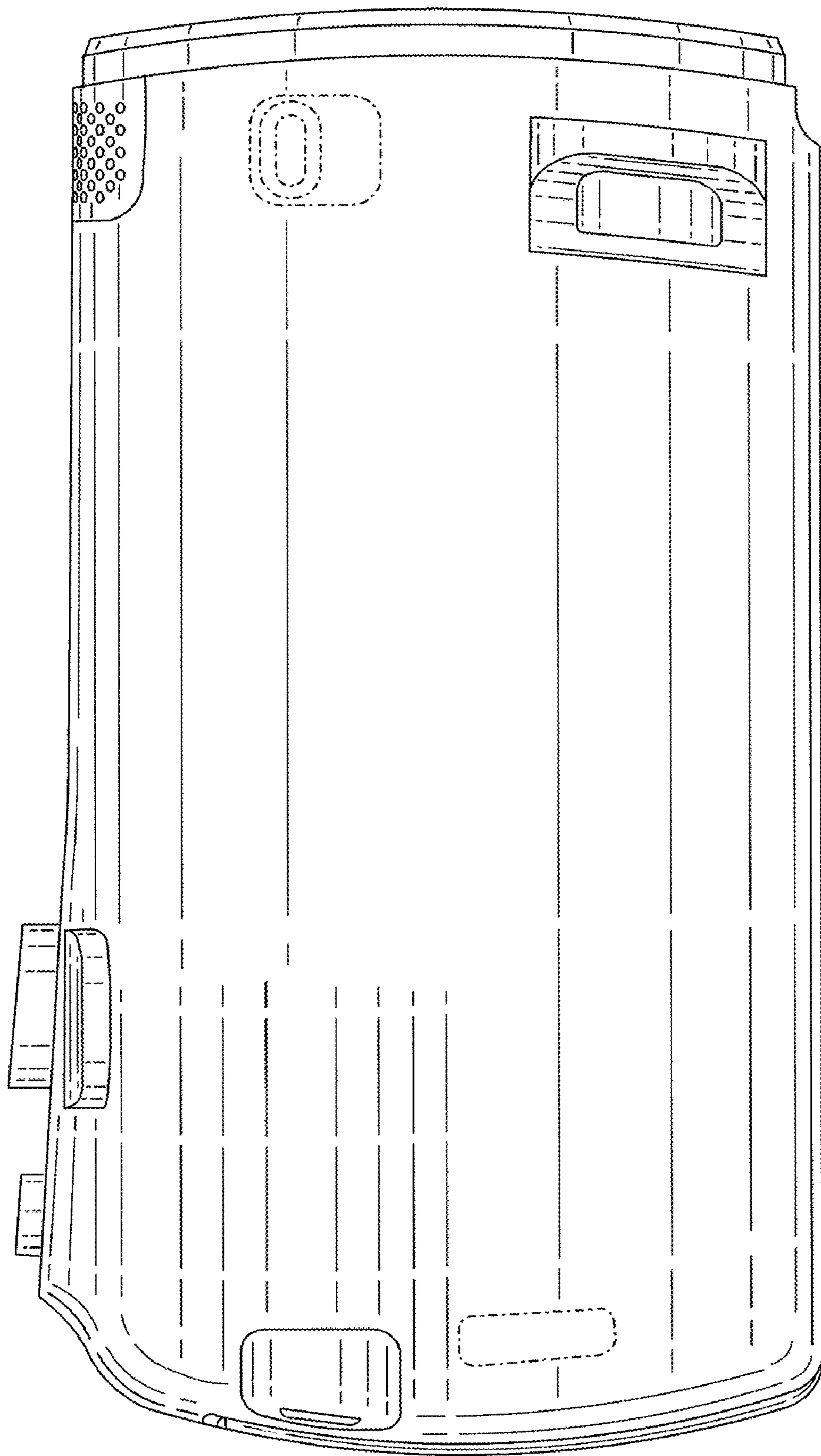


FIG. 4

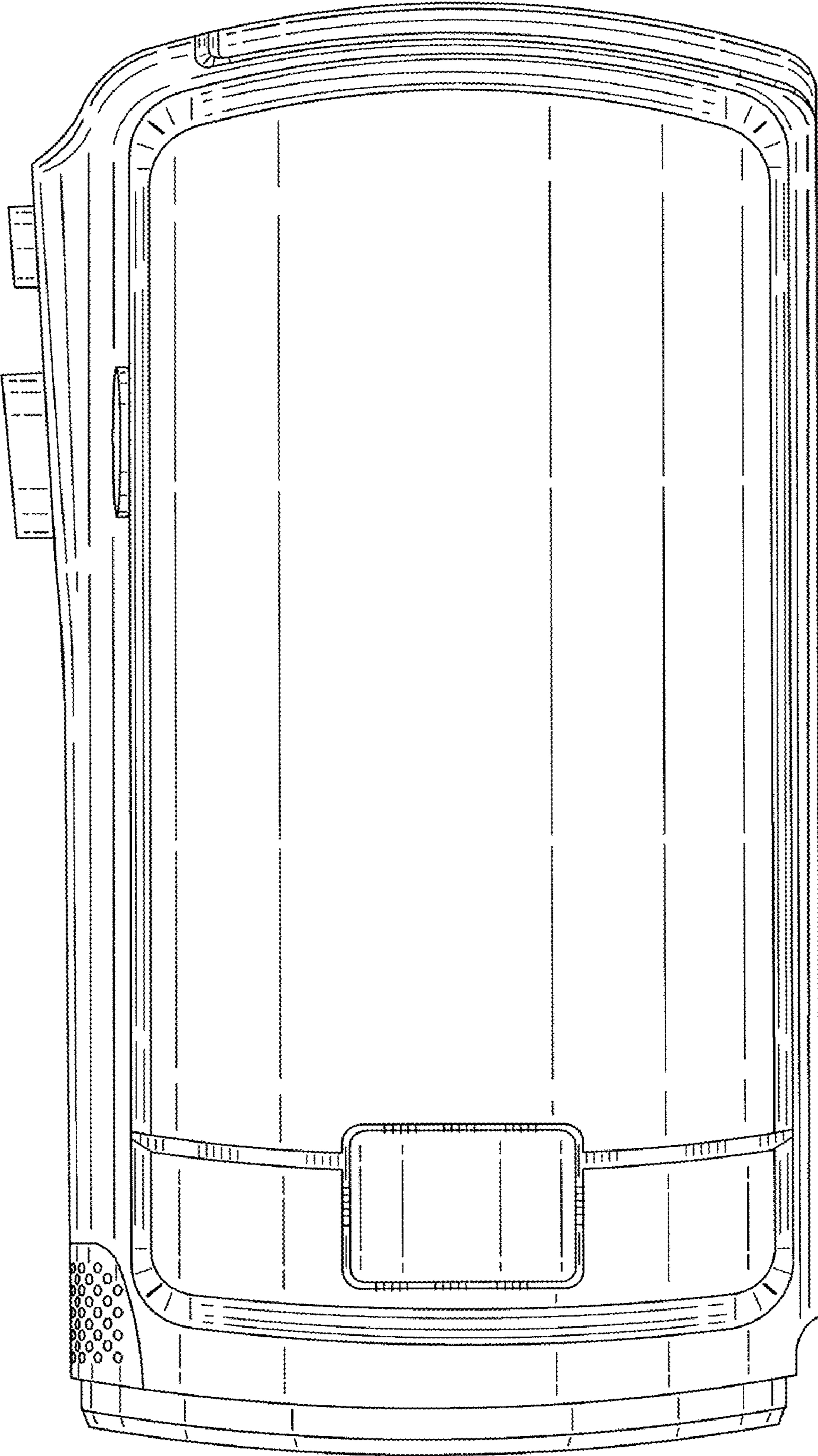


FIG. 5

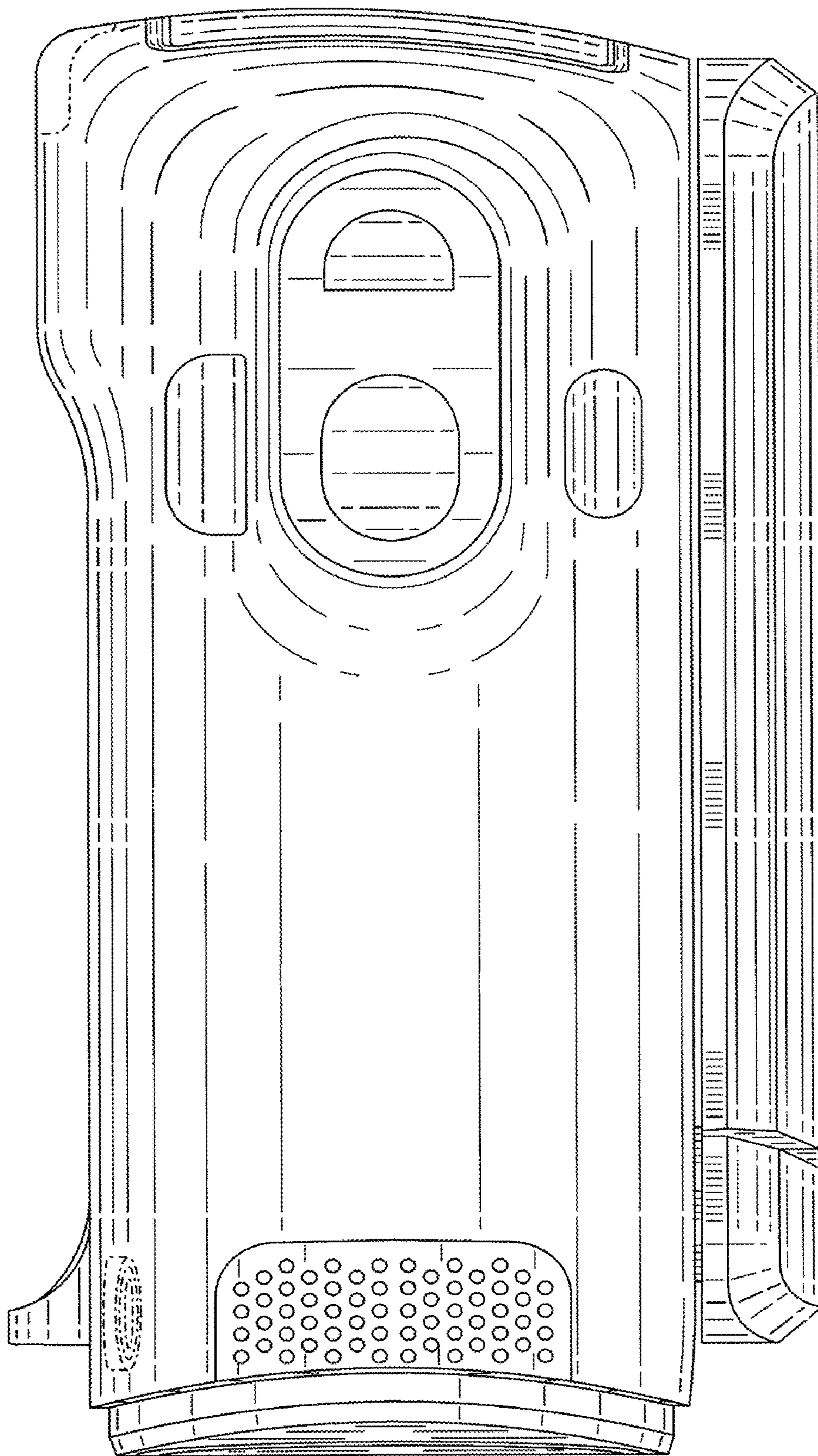


FIG. 6

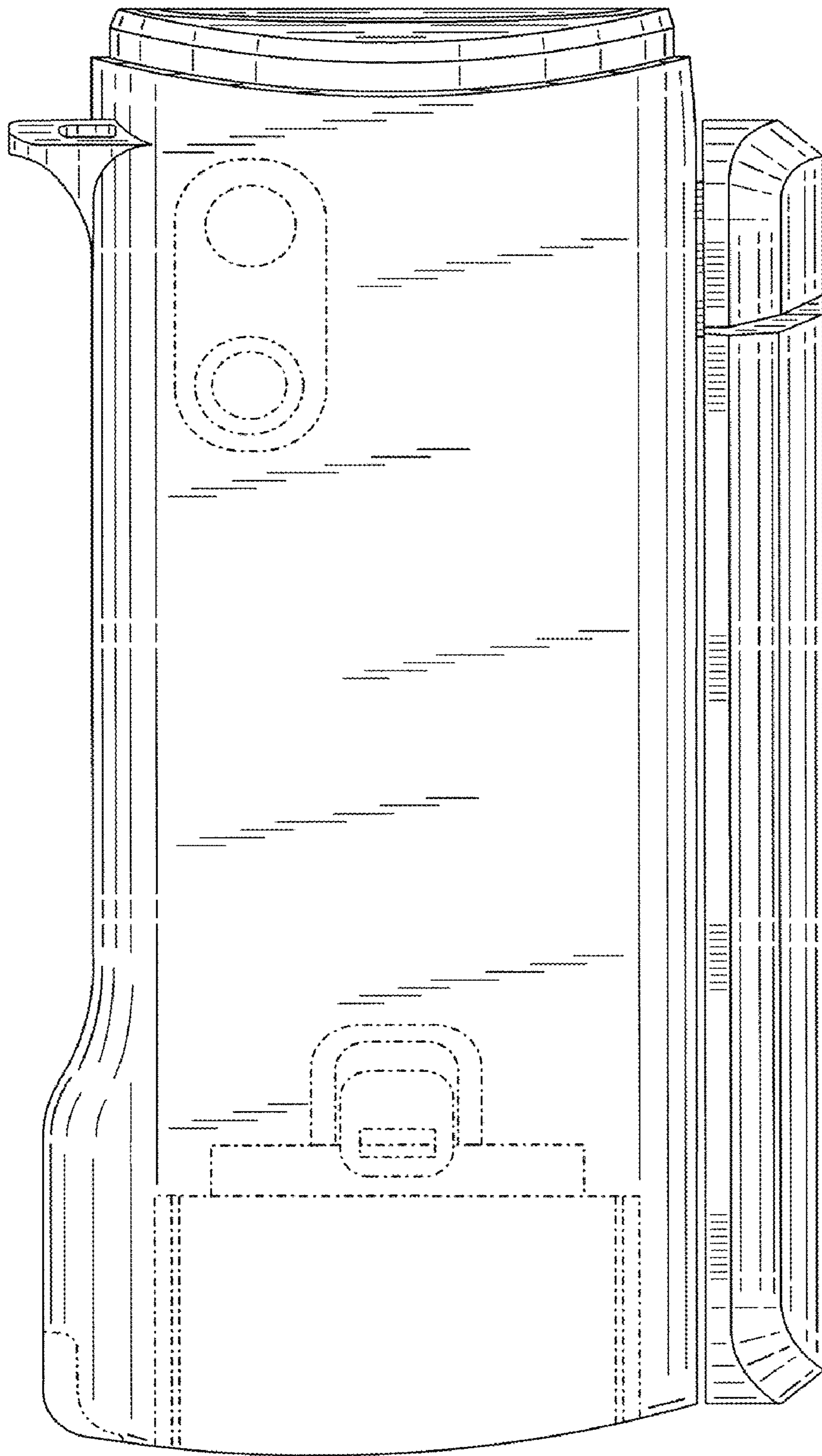


FIG. 7