



US00D664174S

(12) **United States Design Patent**
Tanaka

(10) **Patent No.:** **US D664,174 S**
(45) **Date of Patent:** **** Jul. 24, 2012**

(54) **MICROSCOPE STAND**

(75) **Inventor:** **Ted Tokio Tanaka**, Los Angeles, CA
(US)

(73) **Assignee:** **Edge 3D, LLC**, Paia, HI (US)

(**) **Term:** **14 Years**

(21) **Appl. No.:** **29/395,372**

(22) **Filed:** **Jan. 9, 2012**

(51) **LOC (9) Cl.** **16-06**

(52) **U.S. Cl.** **D16/131**

(58) **Field of Classification Search** D16/130,
D16/131, 136; D24/224, 227, 232; 359/368,
359/376, 381, 382, 383, 384, 385, 388, 390,
359/393; D21/484, 505, 591.1; 446/125
See application file for complete search history.

(56) **References Cited**

U.S. PATENT DOCUMENTS

D252,276	S	*	7/1979	Griffith	D16/131
D260,402	S	*	8/1981	Hodgson	D16/131
4,573,772	A	*	3/1986	Endo et al.	359/370
4,589,742	A	*	5/1986	Schindl	359/513
D291,702	S	*	9/1987	Kahute	D16/131
5,450,233	A	*	9/1995	Yamamoto et al.	359/368
D400,548	S	*	11/1998	Komatsuzaki	D16/131
6,088,155	A	*	7/2000	Tandler et al.	359/381
D445,813	S	*	7/2001	Asaka et al.	D16/131

D446,233	S	*	8/2001	Naito	D16/136
D464,068	S	*	10/2002	Asaka et al.	D16/131
D516,595	S	*	3/2006	Apotheloz et al.	D16/131
D518,841	S	*	4/2006	Apotheloz et al.	D16/131
D626,162	S	*	10/2010	Suzuki et al.	D16/131
D630,660	S	*	1/2011	Stoiakine	D16/131
D647,551	S	*	10/2011	Lawson et al.	D16/131

* cited by examiner

Primary Examiner — Paula Greene

(74) *Attorney, Agent, or Firm* — H. Michael Brucker

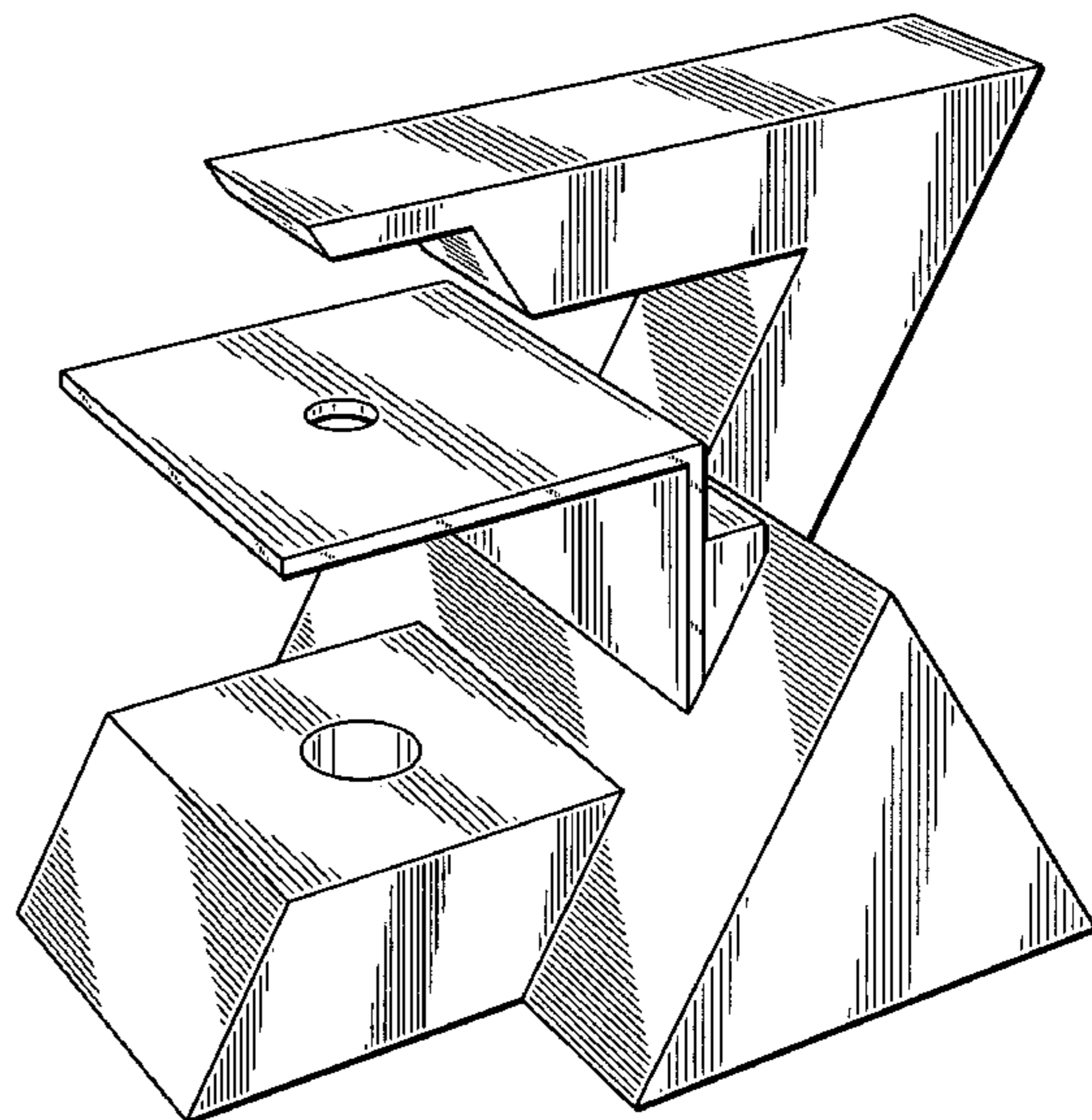
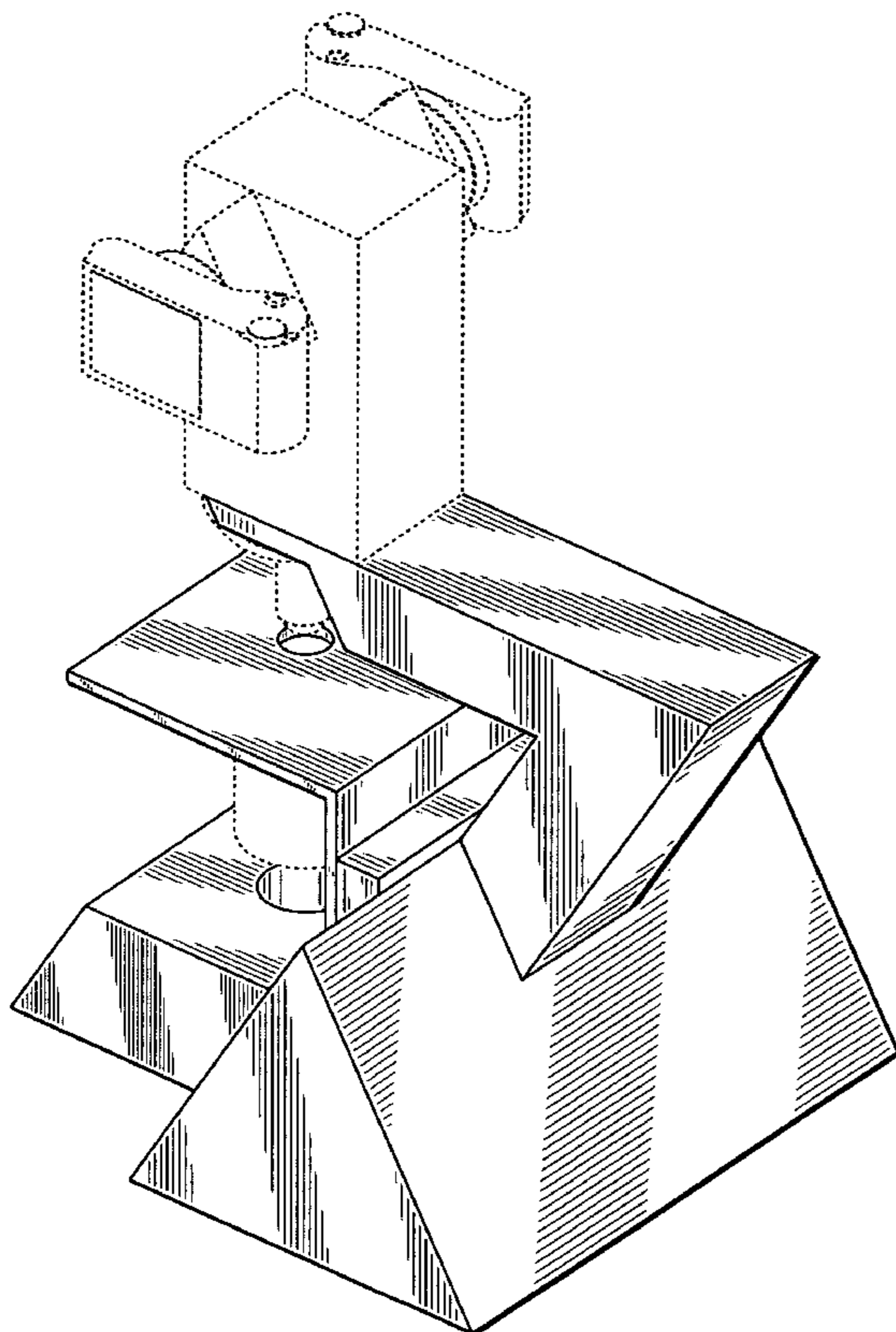
(57) **CLAIM**

The ornamental design for a microscope stand, as shown and described.

DESCRIPTION

FIG. 1 is an upper right perspective view of a microscope stand showing my new design, the broken lines are not part of the claimed design;
 FIG. 2 is an upper right rear perspective view thereof;
 FIG. 3 is an upper right front perspective view thereof;
 FIG. 4 is a front elevational view thereof;
 FIG. 5 is a rear elevational view thereof;
 FIG. 6 is a right side elevational view thereof; the left side is a mirror image thereof;
 FIG. 7 is a top plan view thereof; and,
 FIG. 8 is a bottom plan view thereof, the dashed region is flat, unornamented and not claimed as part of my design.

1 Claim, 8 Drawing Sheets



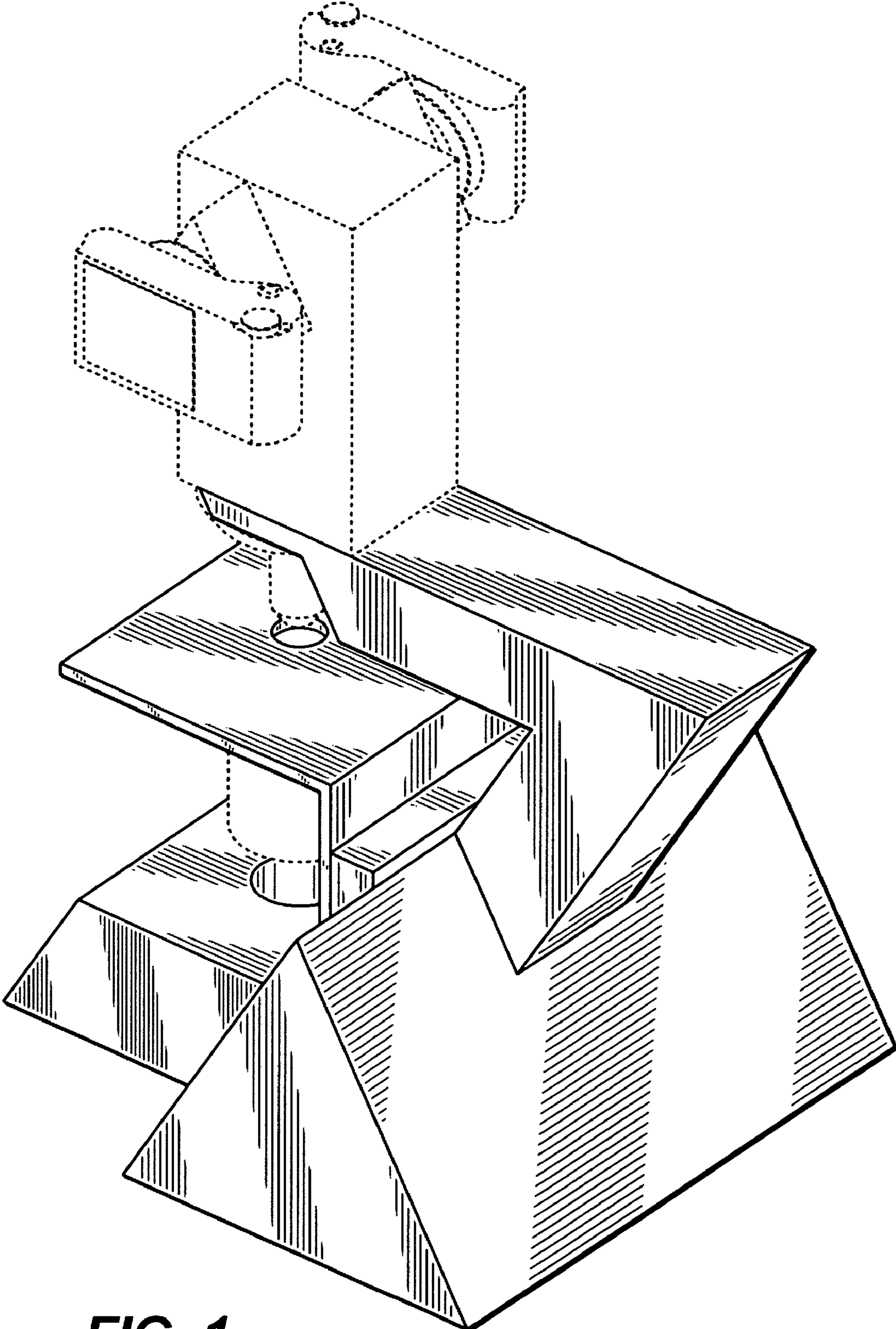


FIG. 1

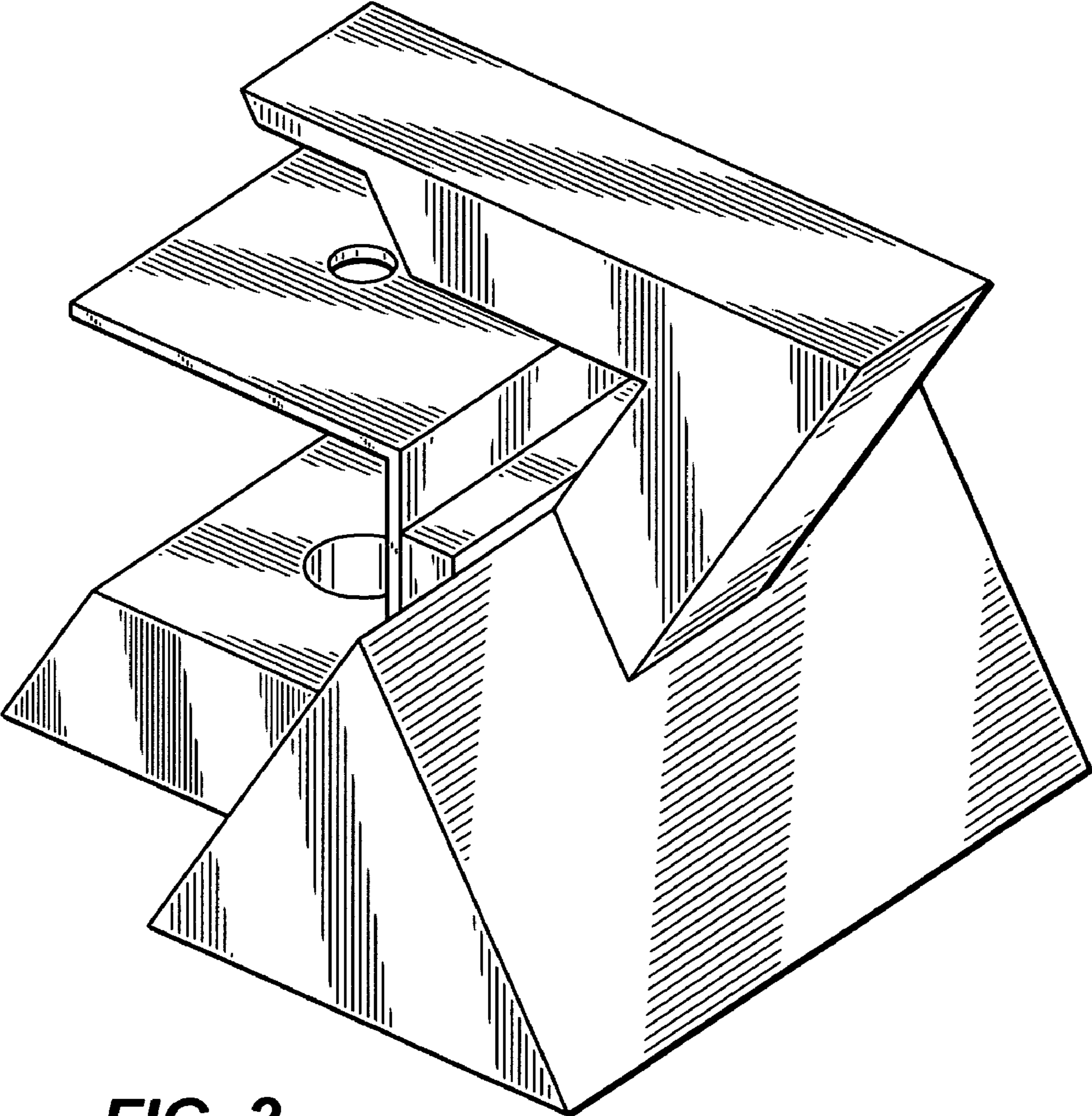


FIG. 2

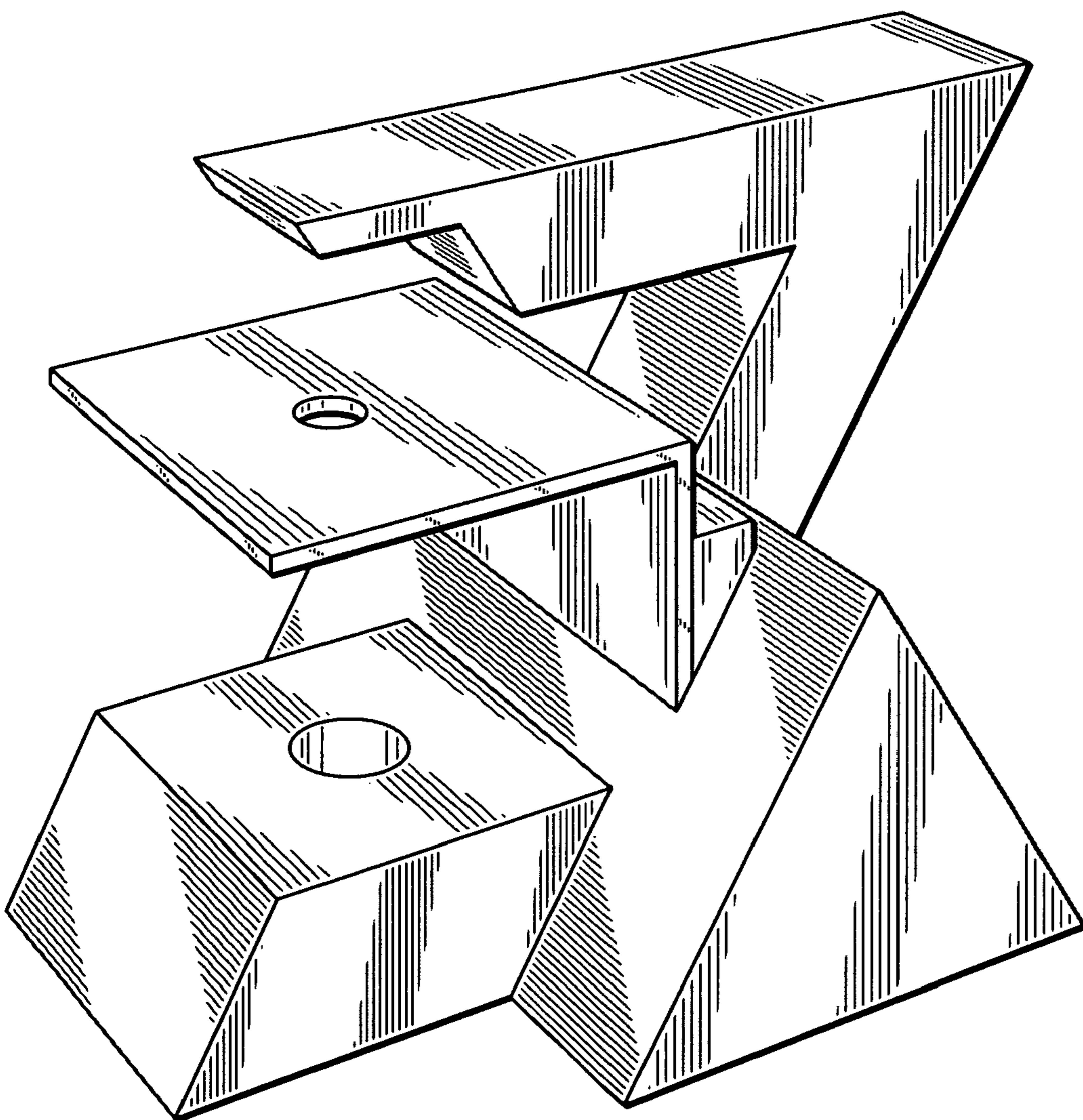


FIG. 3

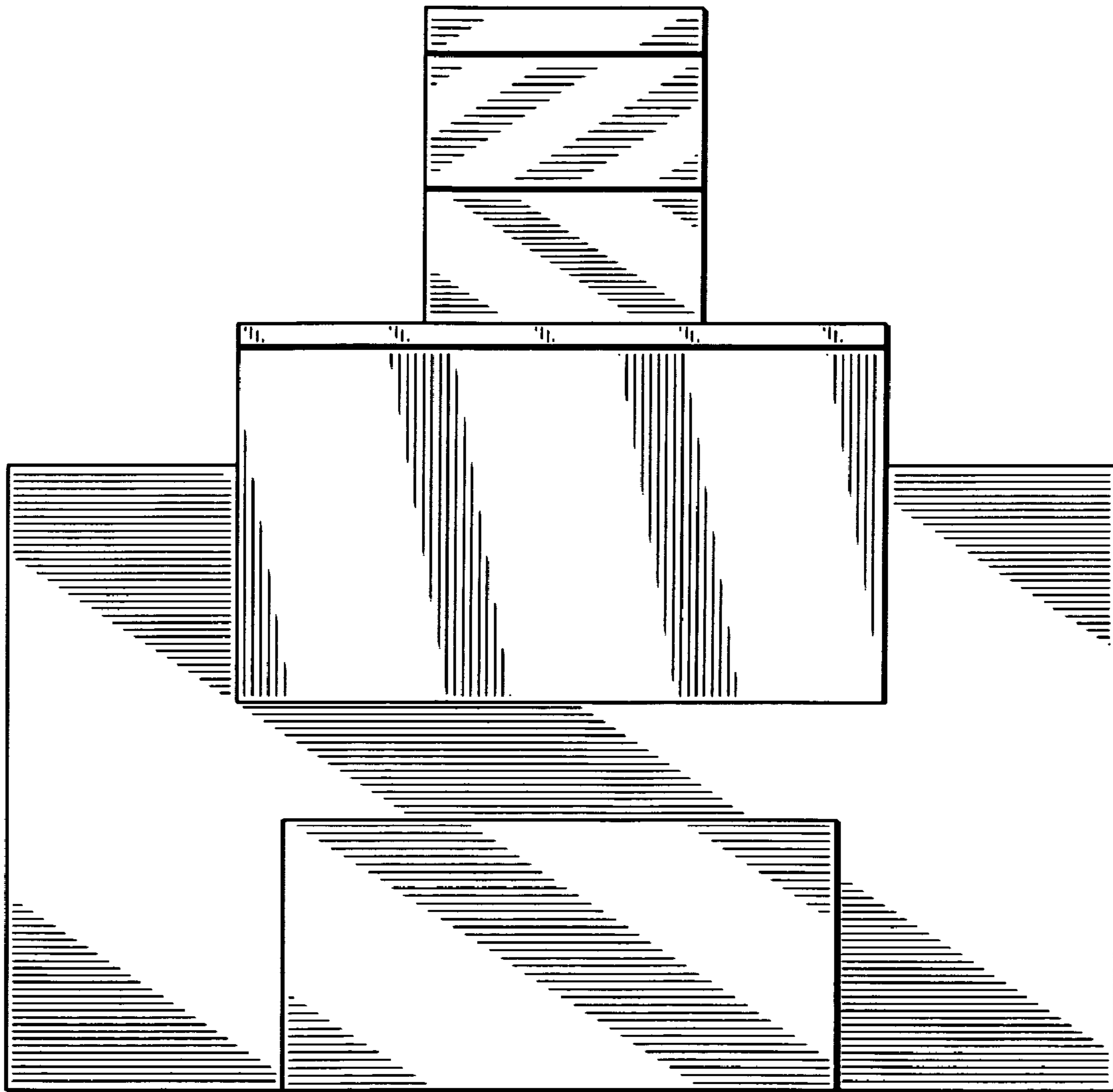


FIG. 4

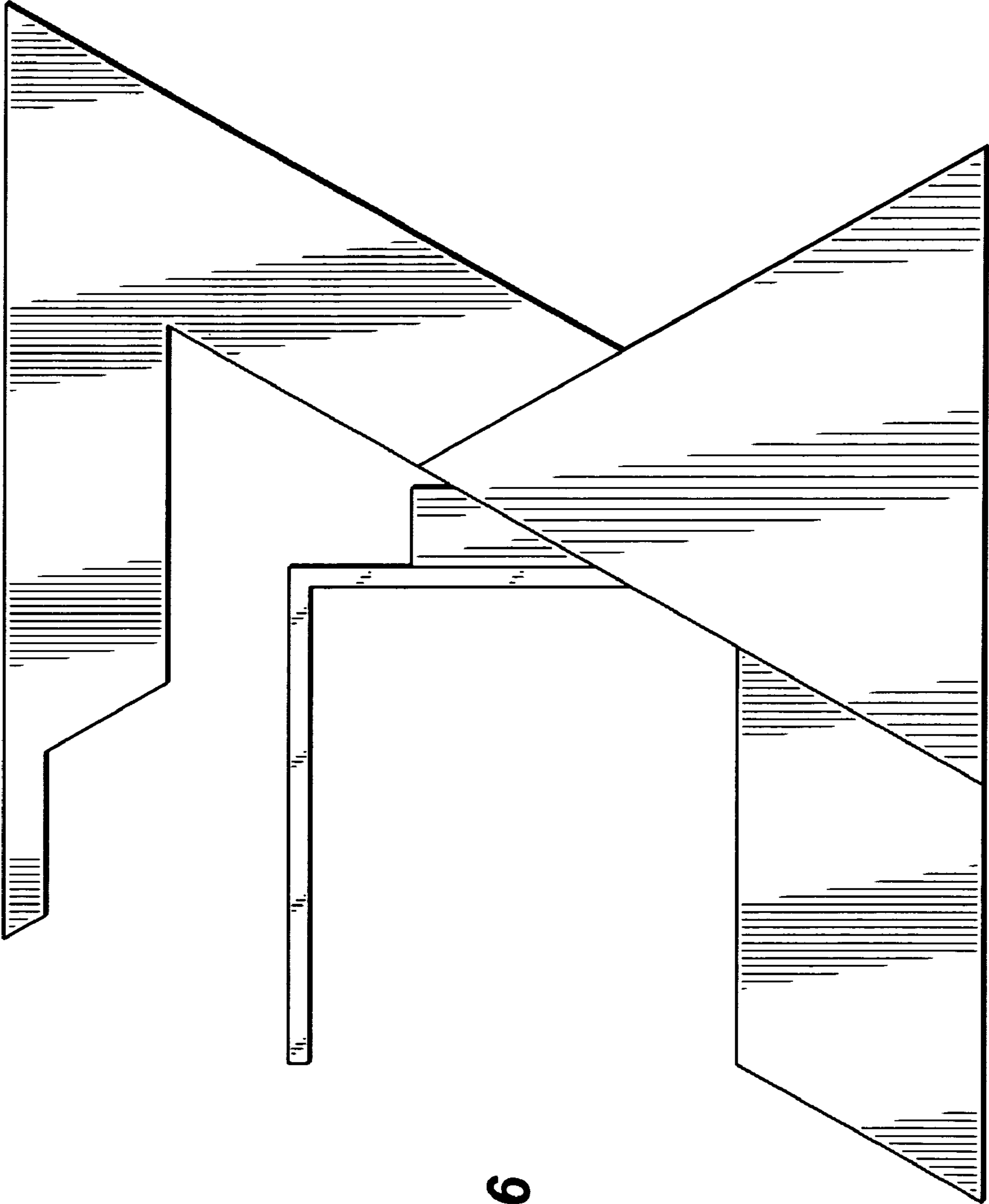


FIG. 6

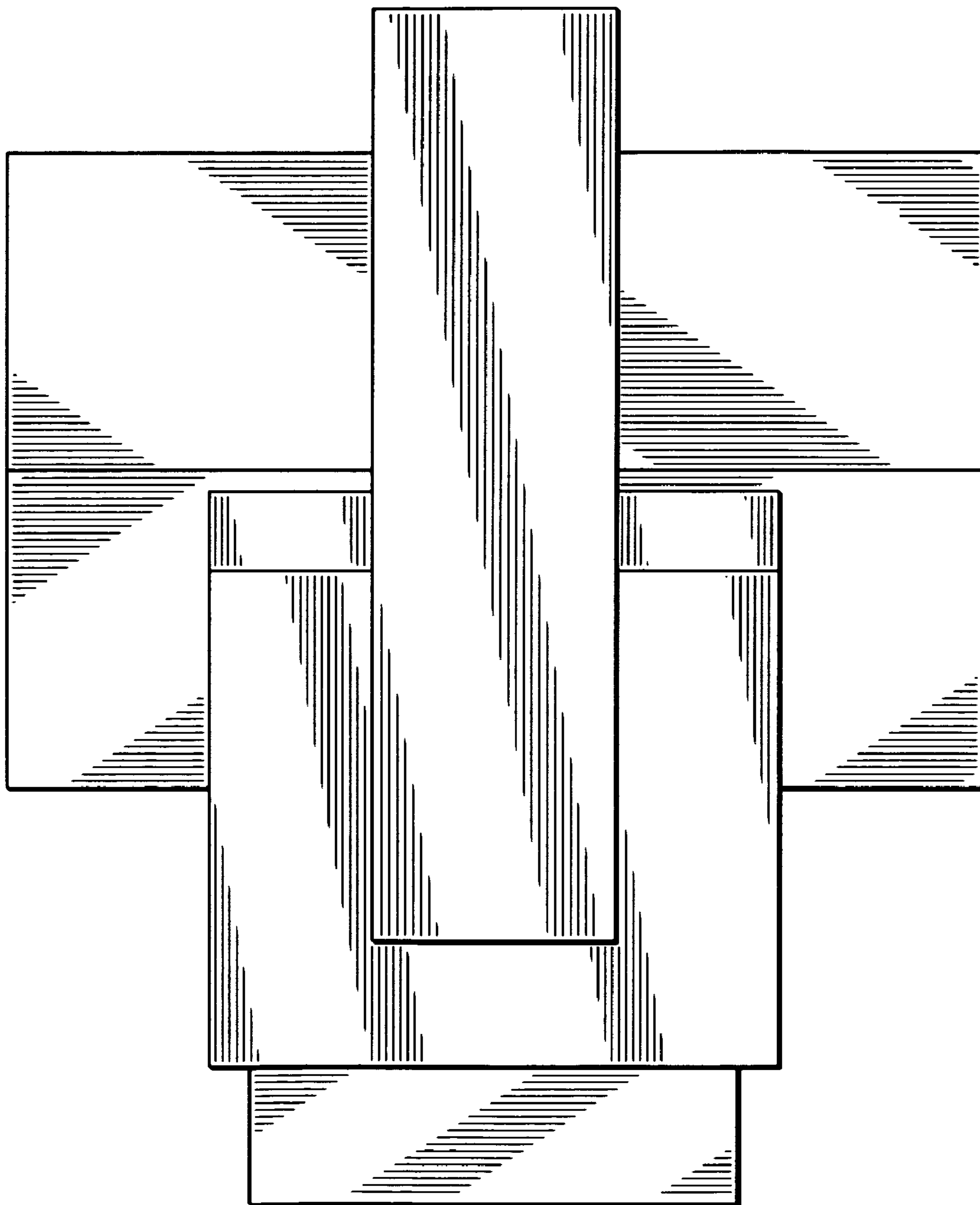


FIG. 7

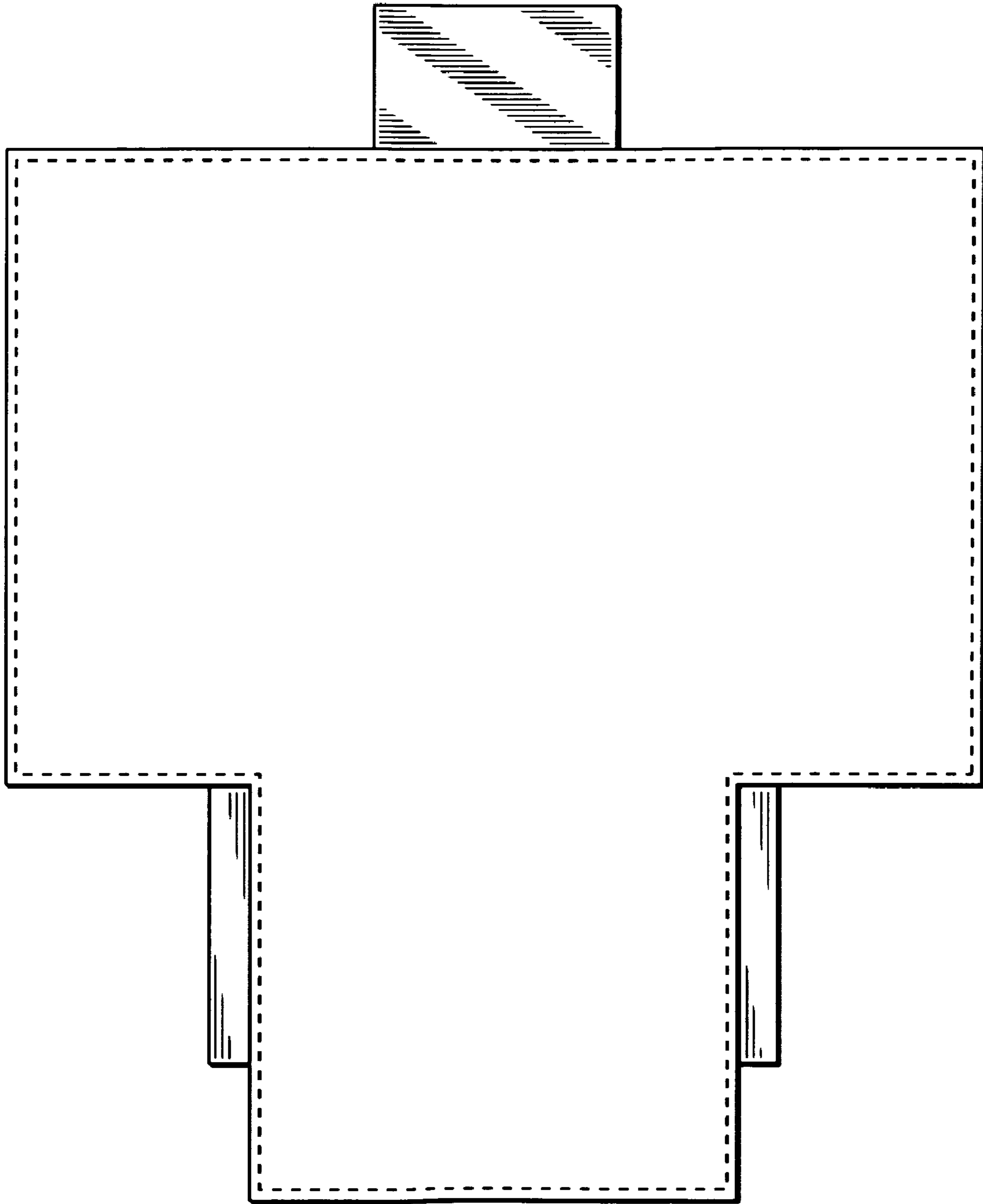


FIG. 8