



US00D664169S

(12) **United States Design Patent**
Shirai et al.

(10) **Patent No.:** **US D664,169 S**
(45) **Date of Patent:** **** Jul. 24, 2012**

(54) **LINEAR ACTUATOR**

(75) Inventors: **Takeki Shirai**, Tokyo (JP); **Katsuya Iida**, Tokyo (JP); **Soshi Miyahara**, Tokyo (JP); **Ryuji Furusawa**, Tokyo (JP)

(73) Assignee: **THK Co., Ltd.**, Tokyo (JP)

(**) Term: **14 Years**

(21) Appl. No.: **29/305,180**

(22) Filed: **Mar. 14, 2008**

(30) **Foreign Application Priority Data**

Sep. 14, 2007 (JP) 2007-025002

(51) **LOC (9) Cl.** **15-09**

(52) **U.S. Cl.** **D15/143**

(58) **Field of Classification Search** D13/118;
D15/1-5, 143, 148, 149, 199; 74/89.15,
74/90.15, 490.09, 411.5; 297/325, 327; 310/20,
310/20.8, 80

See application file for complete search history.

(56) **References Cited**

U.S. PATENT DOCUMENTS

D333,666	S	*	3/1993	Kawashima et al.	D15/142
5,273,381	A		12/1993	Shirai		
D360,424	S	*	7/1995	Bauer	D15/199
D361,338	S	*	8/1995	Bauer	D15/199
D361,580	S	*	8/1995	Bauer	D15/138
D375,508	S	*	11/1996	Shiino et al.	D15/5

D407,409	S	*	3/1999	Masuda et al.	D15/199
D412,917	S	*	8/1999	Nagai et al.	D15/199
D413,129	S	*	8/1999	Nagai et al.	D15/199
D428,617	S	*	7/2000	Hariwara	D15/7
6,344,718	B1	*	2/2002	Nagai et al.	318/14
D456,826	S	*	5/2002	Nagai et al.	D15/143
D487,902	S	*	3/2004	Nielsen et al.	D15/143
D524,335	S	*	7/2006	Klinke et al.	D15/143
D554,164	S	*	10/2007	Naruse et al.	D15/143
D576,646	S	*	9/2008	Liao et al.	D15/143
D587,733	S	*	3/2009	Niedermeyer	D15/143
2007/0144282	A1		6/2007	Shirai et al.		

* cited by examiner

Primary Examiner — Patricia Palasik

(74) *Attorney, Agent, or Firm* — Westerman, Hattori, Daniels & Adrian, LLP

(57) **CLAIM**

The ornamental design for a linear actuator, as shown and described.

DESCRIPTION

FIG. 1 is a front elevational view of the linear actuator, in which the separation, bracket and dot-dot-dash lines indicate that the claimed design is of no particular length;

FIG. 2 is a rear elevational view thereof;

FIG. 3 is a right side elevational view thereof;

FIG. 4 is a left side elevational view thereof;

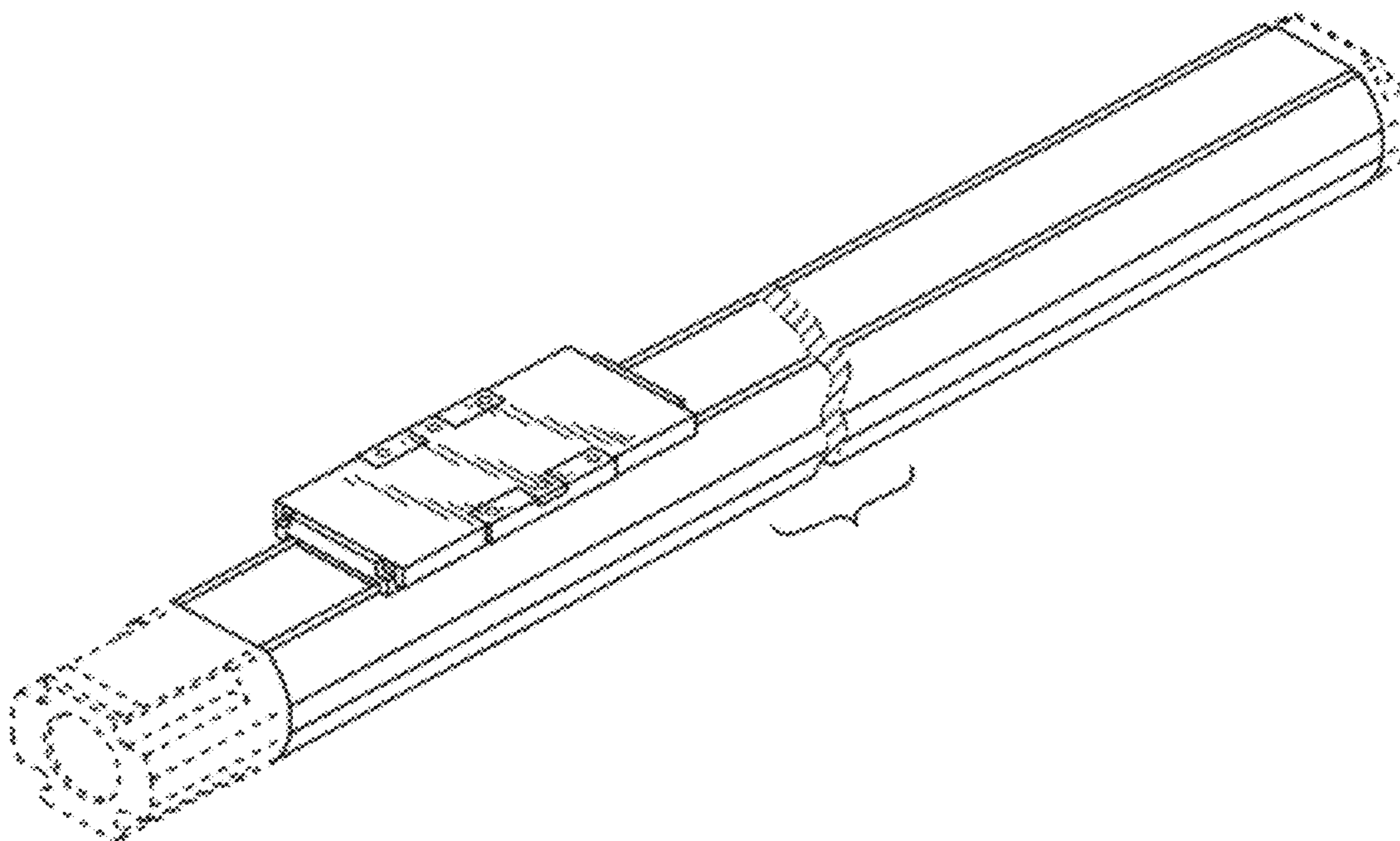
FIG. 5 is a top plan view thereof;

FIG. 6 is a bottom plan view thereof; and,

FIG. 7 is a left, front perspective view thereof.

The broken lines in the drawings depict unclaimed environmental subject matter.

1 Claim, 7 Drawing Sheets



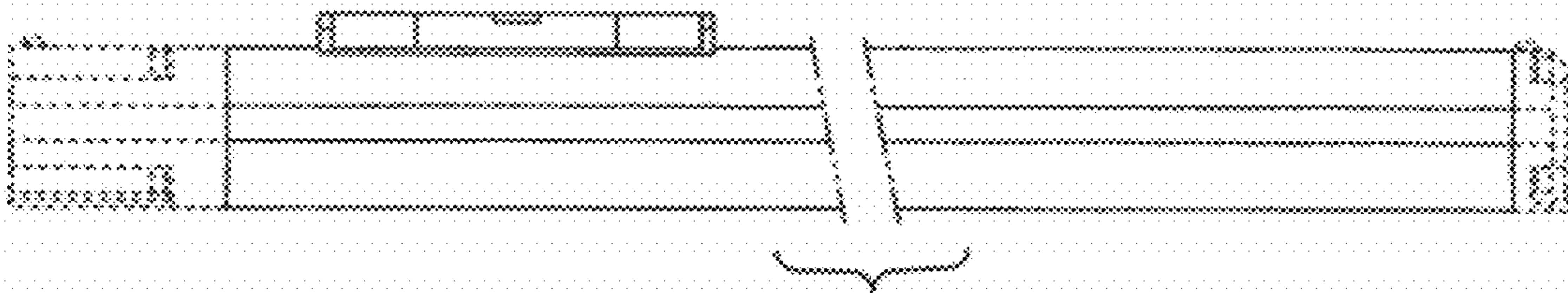


FIG. 1

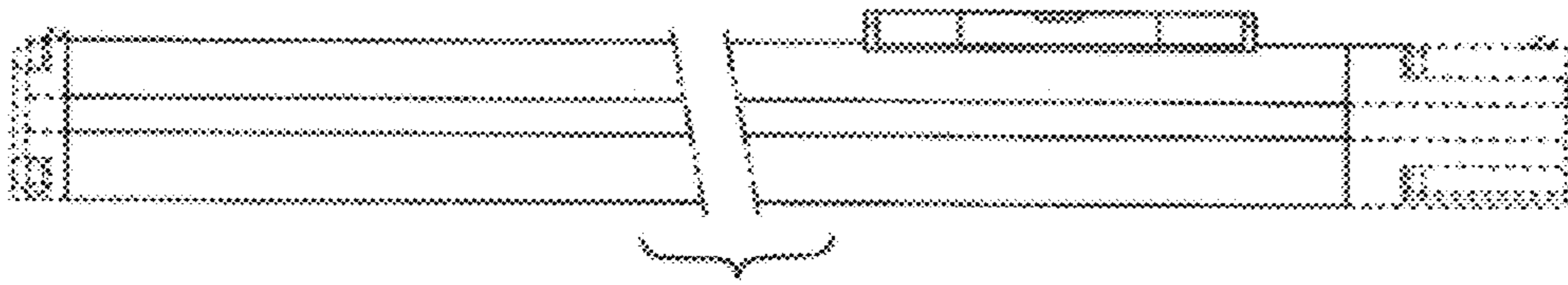


FIG. 2

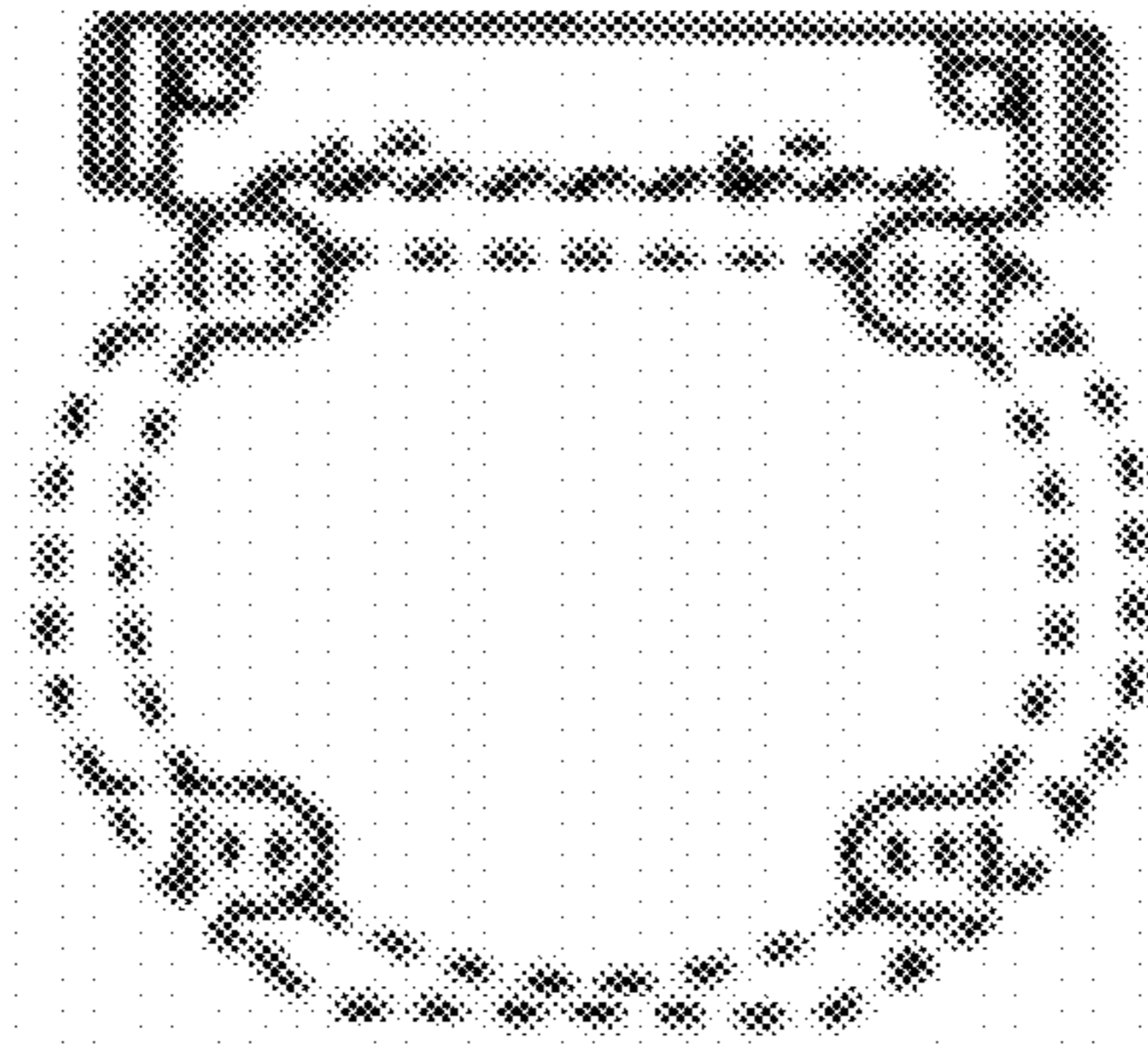


FIG. 3

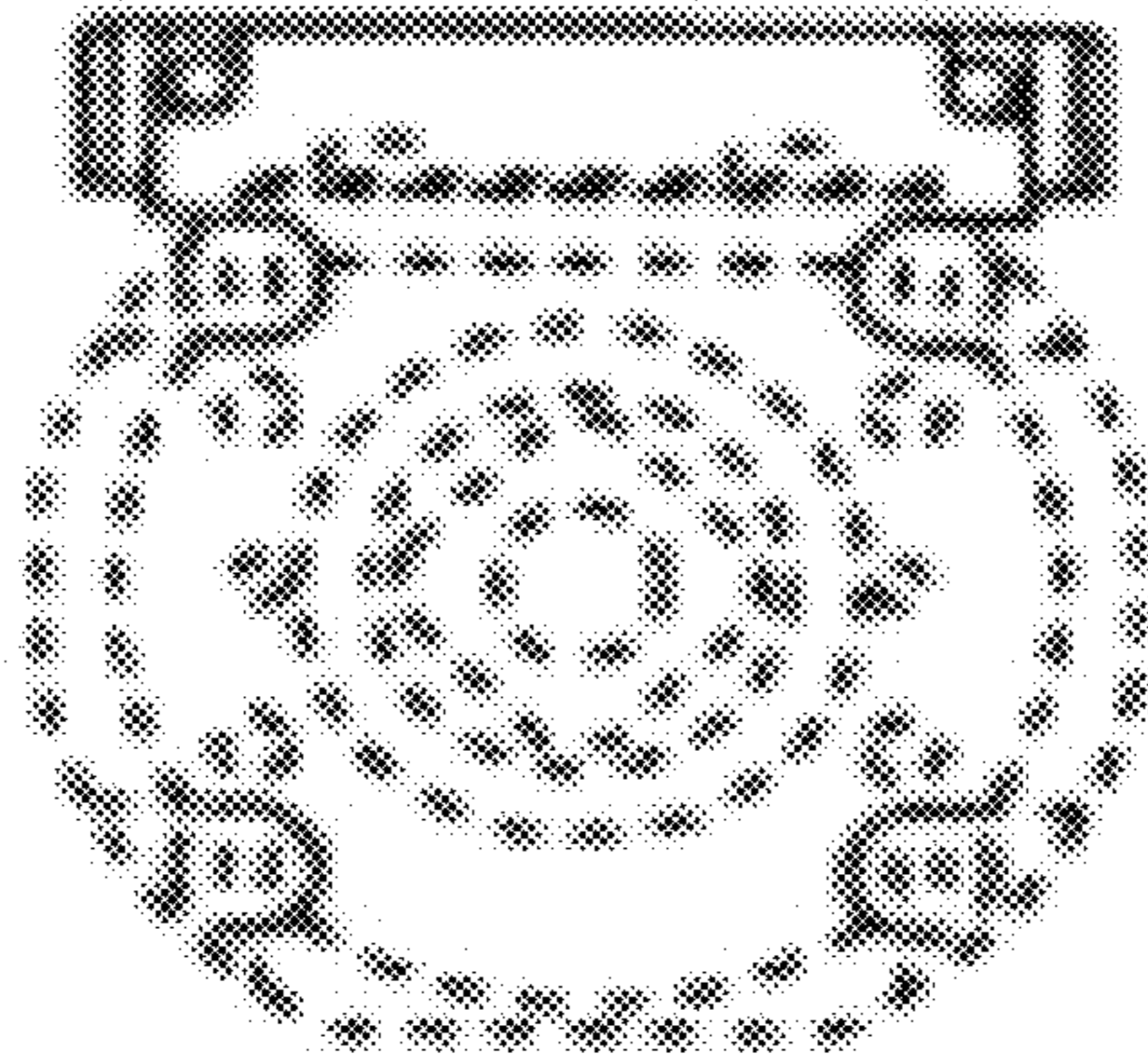


FIG. 4

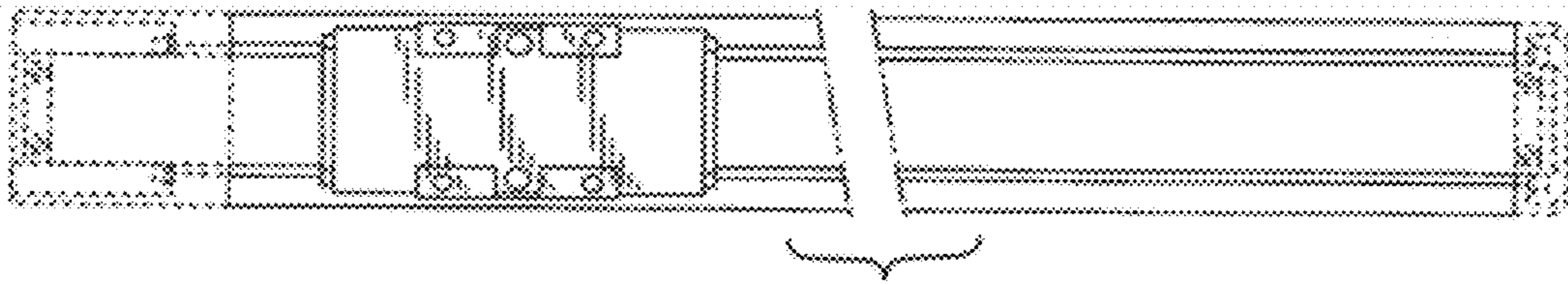


FIG. 5

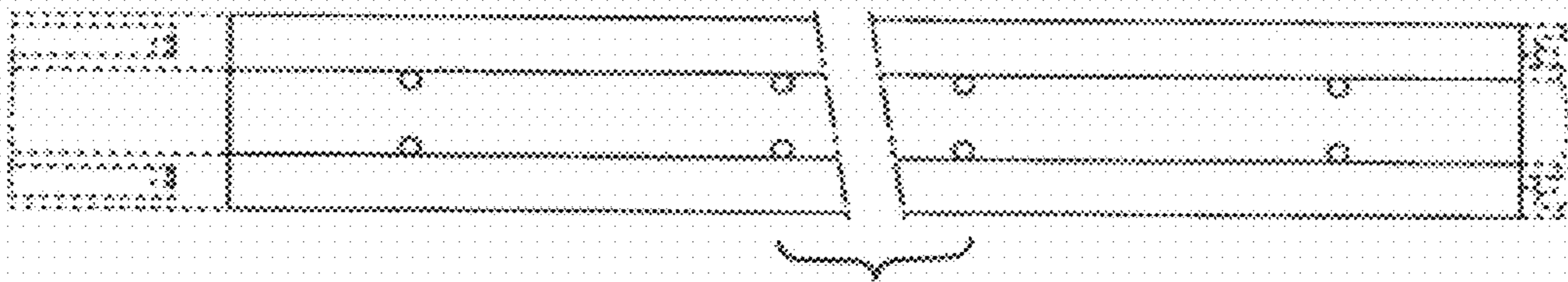


FIG.6

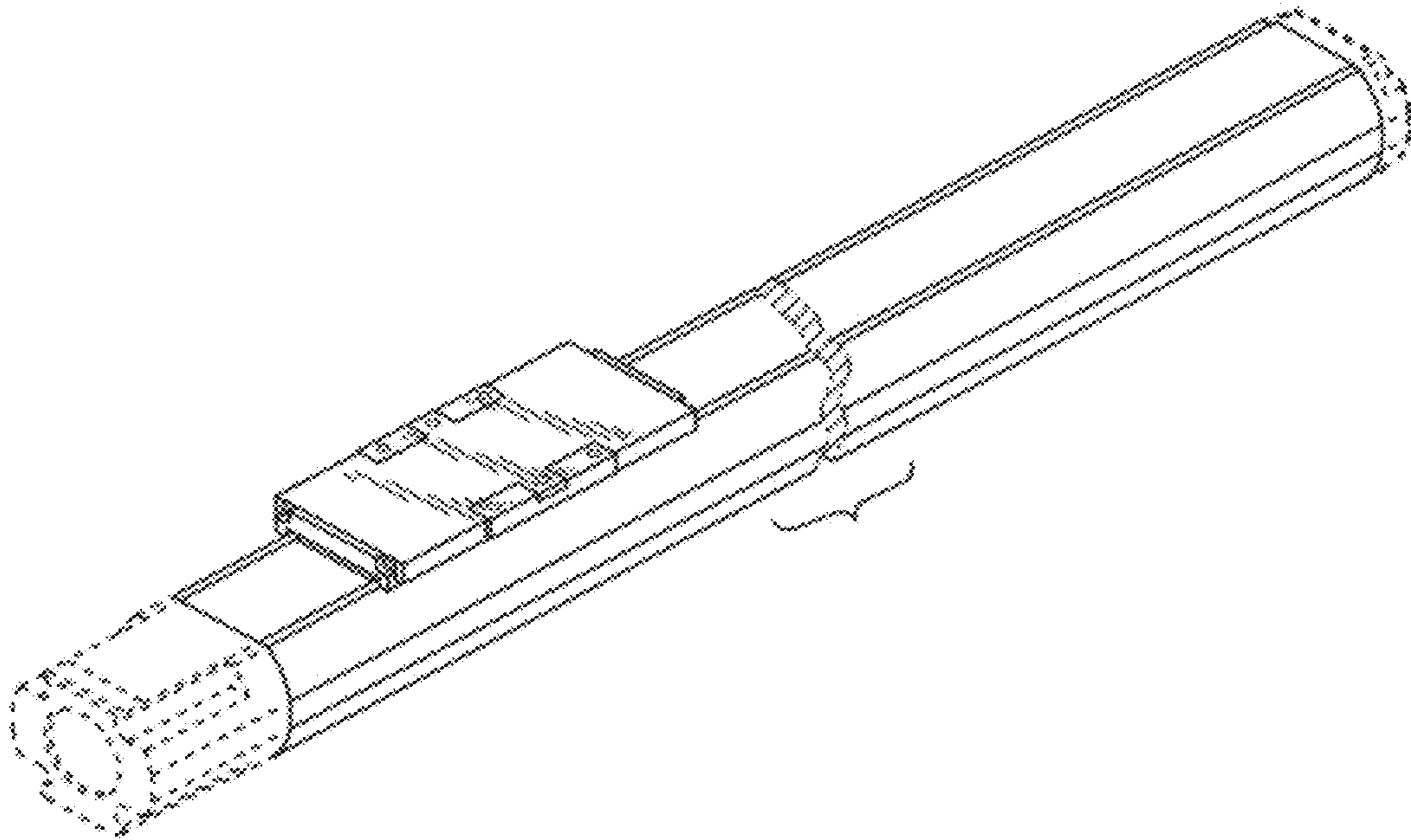


FIG. 7