

US00D664167S

(12) **United States Design Patent**
Lampe

(10) **Patent No.:** **US D664,167 S**

(45) **Date of Patent:** **** Jul. 24, 2012**

(54) **HEAD PORTION OF ROCK DRILL**

(75) Inventor: **Rainer Lampe**, Dinklage (DE)

(73) Assignee: **Illinois Tool Works Inc.**, Glenview, IL (US)

(**) Term: **14 Years**

(21) Appl. No.: **29/384,431**

(22) Filed: **Jan. 31, 2011**

(30) **Foreign Application Priority Data**

Aug. 2, 2010 (EP) I 001738956-0001
Aug. 2, 2010 (EP) I 0017389956-0002
Aug. 2, 2010 (EP) I 0017389956-0003

(51) **LOC (9) Cl.** **15-09**

(52) **U.S. Cl.** **D15/139**

(58) **Field of Classification Search** D8/70;
D15/139; 83/845; 403/331, 381; 407/9,
407/33, 34, 42, 54, 63, 110, 113, 114, 115;
408/210-214, 219, 224, 226-230, 240
See application file for complete search history.

(56) **References Cited**

U.S. PATENT DOCUMENTS

6,089,337 A * 7/2000 Kleine et al. 175/394
D559,874 S * 1/2008 Kobayashi et al. D15/139
D629,027 S * 12/2010 Kersten et al. D15/139
2009/0311060 A1 * 12/2009 Frejd 408/200

2010/0135741 A1 * 6/2010 Probst et al. 408/230
2010/0296887 A1 * 11/2010 Moseley et al. 408/227
2011/0013999 A1 * 1/2011 Moseley et al. 408/226

* cited by examiner

Primary Examiner — Antoine D Davis

(74) *Attorney, Agent, or Firm* — Lowe Hauptman Ham & Berner LLP

(57) **CLAIM**

The ornamental design for a head portion of a rock drill, as shown and described.

DESCRIPTION

FIG. 1 is an overall, front view of a rock drill having a head portion bearing the design;

FIG. 2 is a right view of the head portion of the rock drill of FIG. 1;

FIG. 3 is a left view of the head portion of the rock drill of FIG. 1;

FIG. 4 is a front view of the head portion of the rock drill of FIG. 1;

FIG. 5 is a back view of the head portion of the rock drill of FIG. 1;

FIG. 6 is a bottom view of the head portion of the rock drill of FIG. 1; and,

FIG. 7 is a top view of the head portion of the rock drill of FIG. 1.

The portions inside the broken-line frames form no part of the claimed design.

1 Claim, 7 Drawing Sheets





FIG. 1

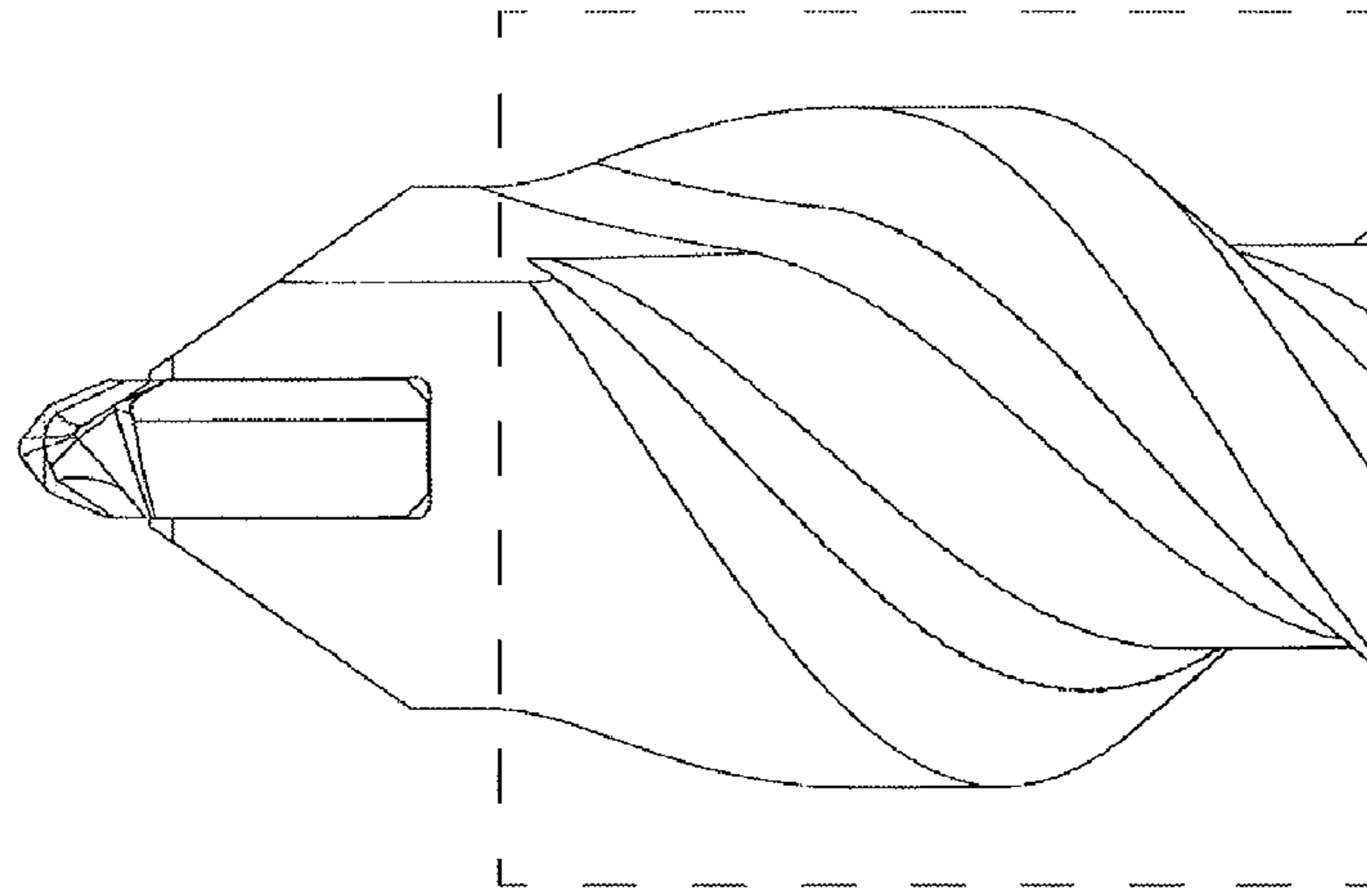


FIG. 2

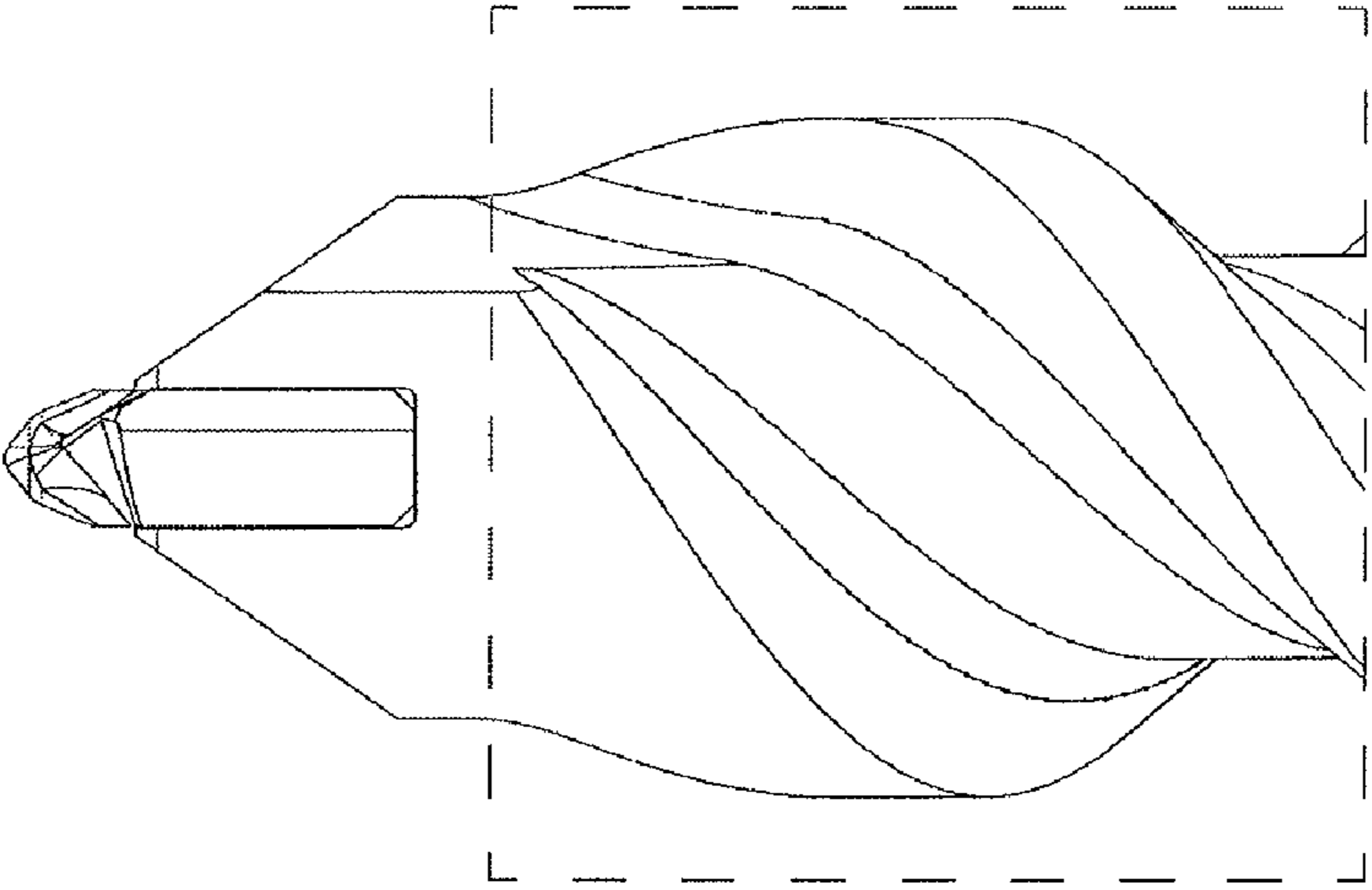


FIG. 3

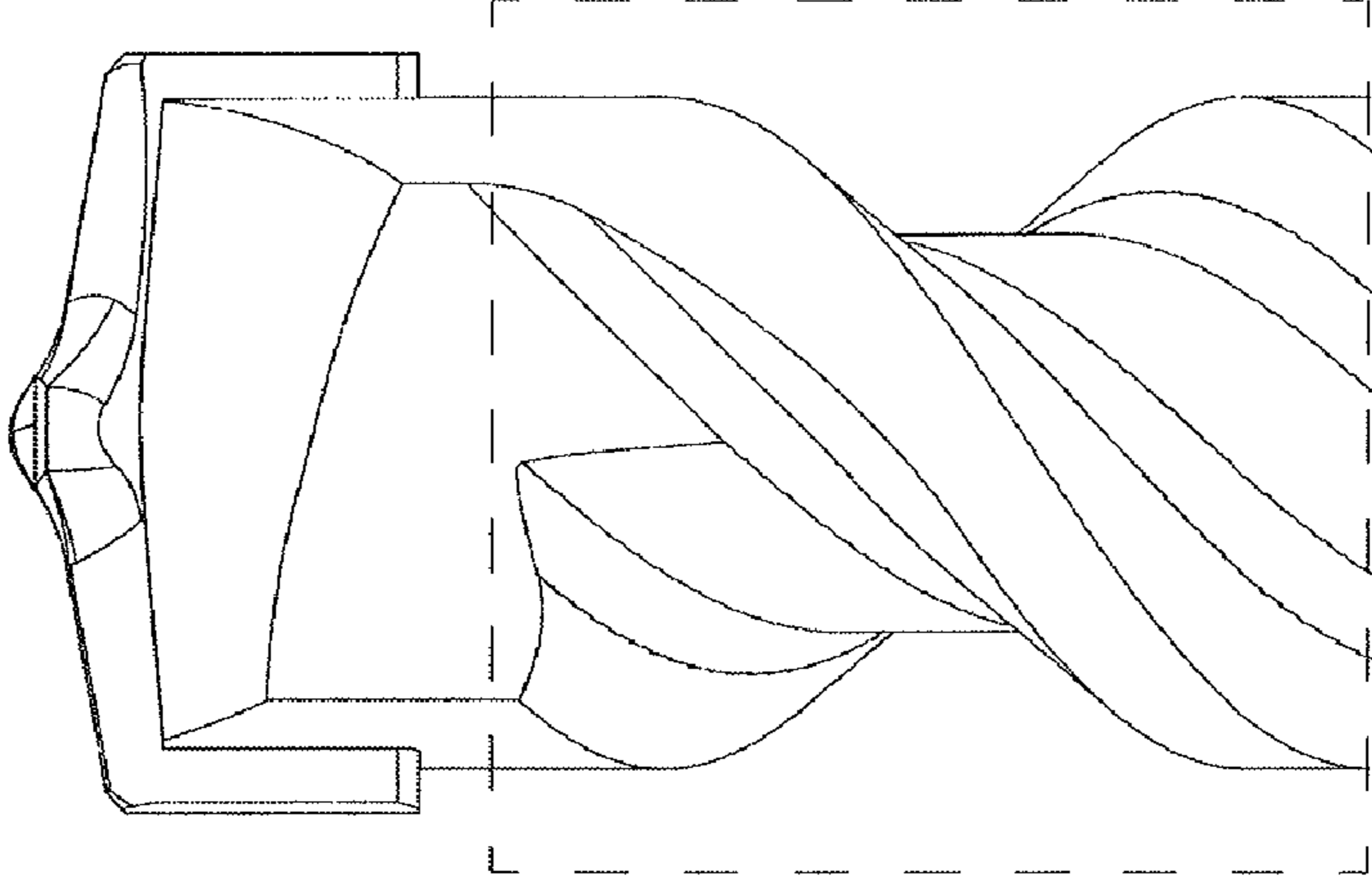


FIG. 4

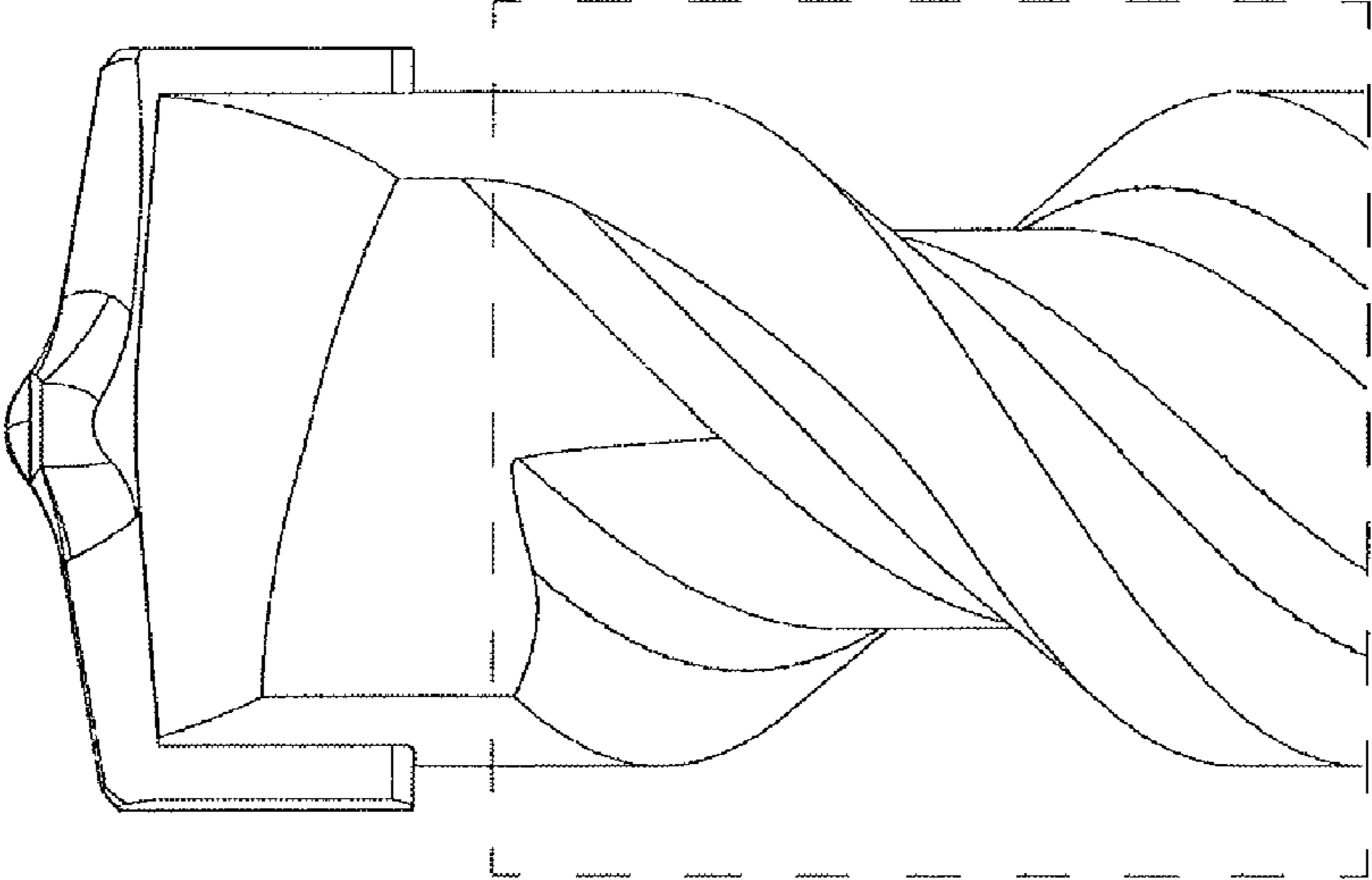


FIG. 5

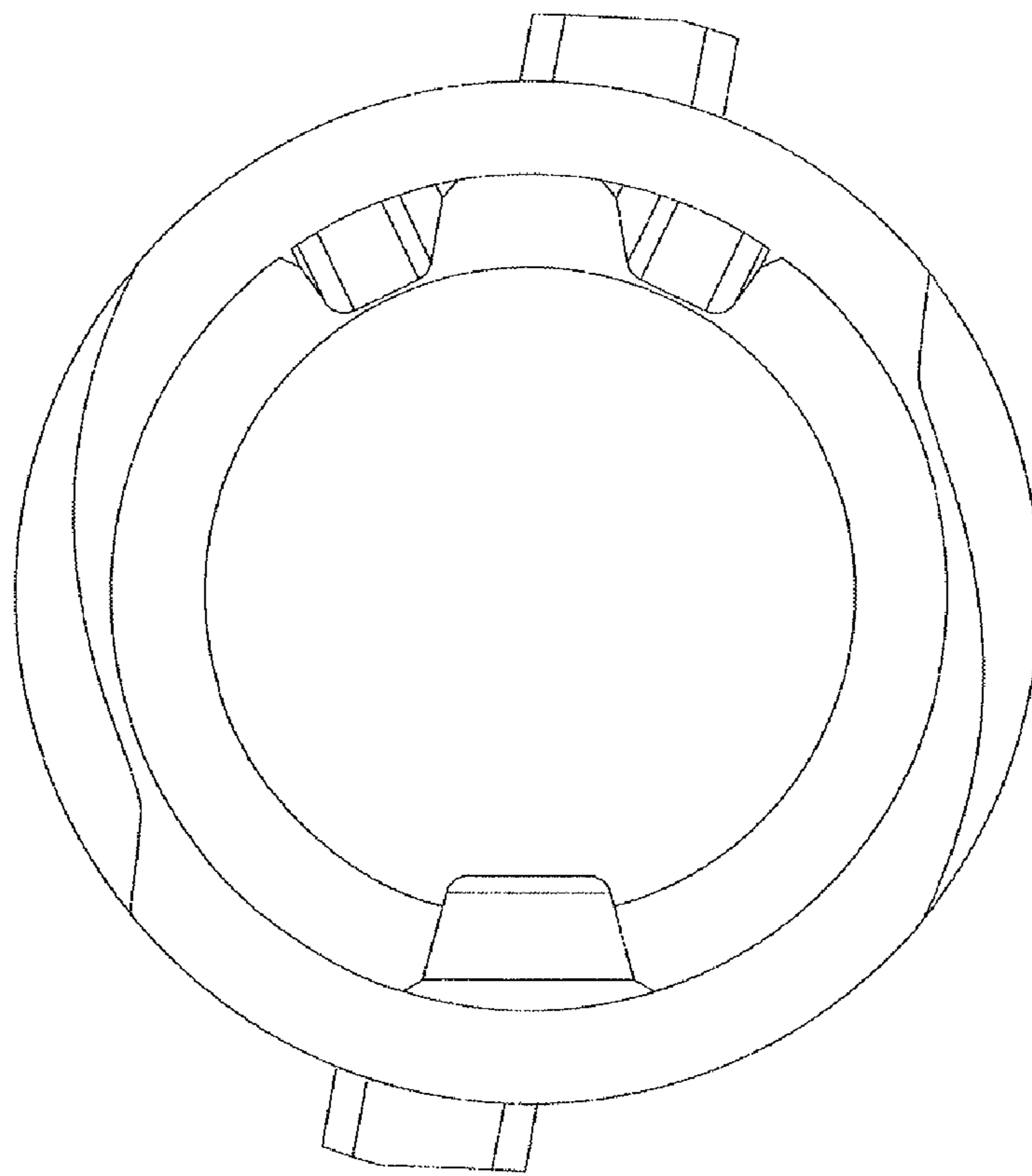


FIG. 6

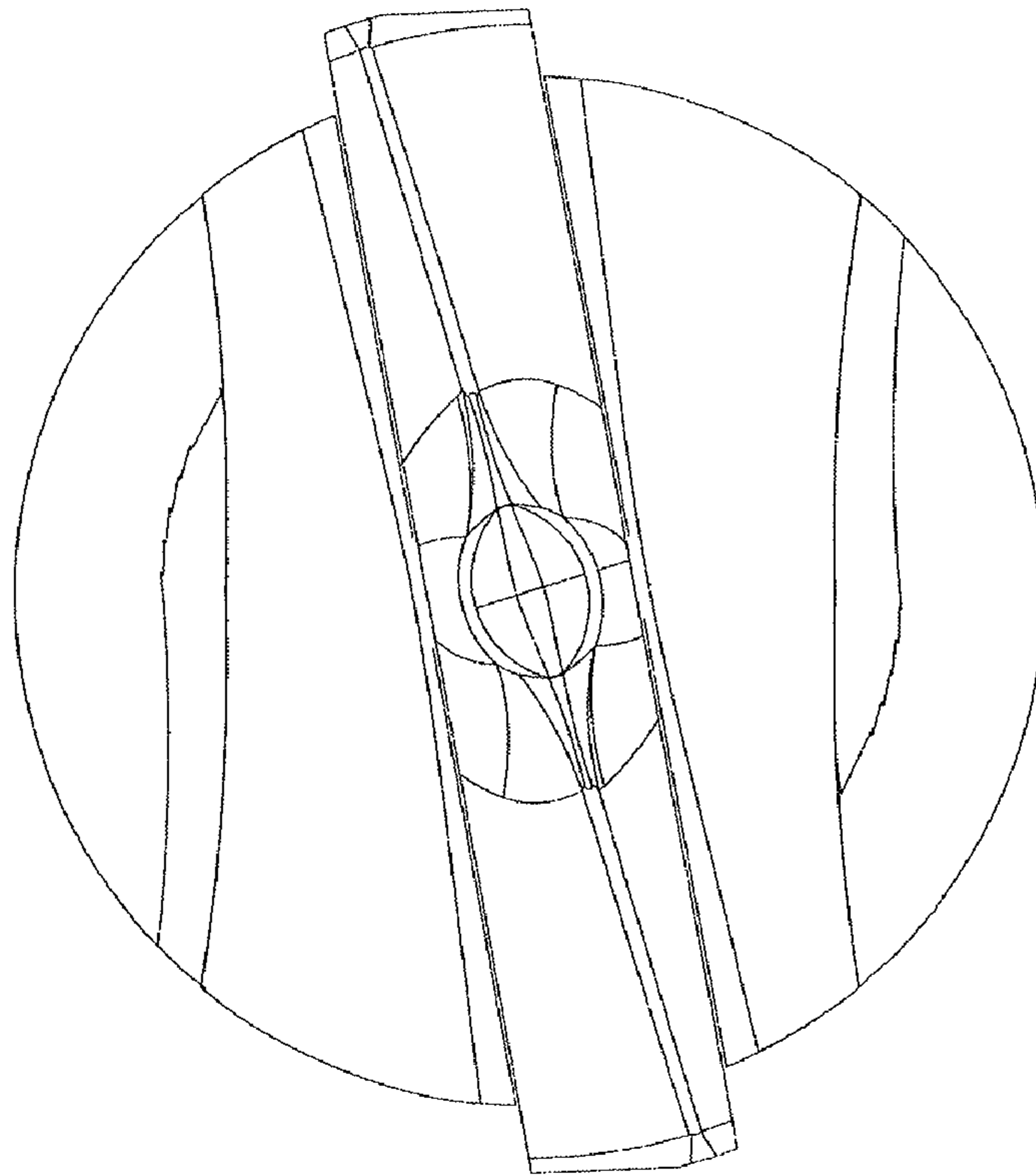


FIG. 7