



US00D664166S

(12) **United States Design Patent**
Hall

(10) **Patent No.:** **US D664,166 S**

(45) **Date of Patent:** **** Jul. 24, 2012**

(54) **ARTICLE HANDLING APPARATUS**

(75) **Inventor:** **Jamie Vincent Clarke Hall**, Thornlie (AU)

(73) **Assignee:** **Austin Engineering Ltd.**, Kewdale (AU)

(**) **Term:** **14 Years**

(21) **Appl. No.:** **29/399,383**

(22) **Filed:** **Aug. 12, 2011**

(51) **LOC (9) Cl.** **15-09**

(52) **U.S. Cl.** **D15/138**

(58) **Field of Classification Search** D15/138,
D15/199; 214/1 BT, 730; 294/3, 65.5, 106,
294/115; 414/426, 621, 661, 783, 785; 901/2,
901/27, 30, 38, 39

See application file for complete search history.

(56) **References Cited**

U.S. PATENT DOCUMENTS

3,830,382	A *	8/1974	Nagamori	414/618
3,834,559	A *	9/1974	Schaffer	414/753.1
5,073,080	A *	12/1991	Blum	414/739
5,108,140	A *	4/1992	Bartholet	294/106
5,188,501	A *	2/1993	Tomita et al.	414/416.08
5,938,259	A *	8/1999	Sawdon et al.	294/116
6,918,622	B2 *	7/2005	Kim et al.	294/106
D547,643	S *	7/2007	Ratajczek et al.	D8/395
D552,138	S *	10/2007	Kondo et al.	D15/199
D639,323	S *	6/2011	Yoshino	D15/199
2004/0004362	A1 *	1/2004	Love	294/3
2009/0155032	A1 *	6/2009	Hedley et al.	414/426
2009/0159368	A1 *	6/2009	Ziaylek	182/127
2011/0268547	A1 *	11/2011	Doll	414/661
2012/0034059	A1 *	2/2012	Hedley et al.	414/621

* cited by examiner

Primary Examiner — Patricia Palasik

(74) *Attorney, Agent, or Firm* — Rothwell, Figg, Ernst & Manbeck, P.C.

(57) **CLAIM**

The ornamental design for an article handling apparatus, as shown and described.

DESCRIPTION

FIG. 1 shows a front perspective view (contracted) of the invention;

FIG. 2 shows a rear perspective view (contracted) thereof;

FIG. 3 shows a front view (contracted) thereof;

FIG. 4 shows a top side view (contracted) thereof;

FIG. 5 shows a bottom side view (contracted) thereof;

FIG. 6 shows a left side view (contracted) thereof;

FIG. 7 shows a right side view (contracted) thereof;

FIG. 8 shows a rear view (contracted) thereof;

FIG. 9 shows a rear view (extended) thereof;

FIG. 10 shows a front perspective view (open and extended) thereof;

FIG. 11 shows a rear perspective view (open and extended) thereof;

FIG. 12 shows a bottom side view (open and extended) thereof;

FIG. 13 shows a top side view (open and extended) thereof;

FIG. 14 shows a left hand side view (open and extended) thereof;

FIG. 15 shows a right hand side view (open and extended) thereof;

FIG. 16 shows a front view (closed and extended) thereof;

FIG. 17 shows a top side view (closed and extended) thereof;

FIG. 18 shows a bottom side view (closed and extended) thereof;

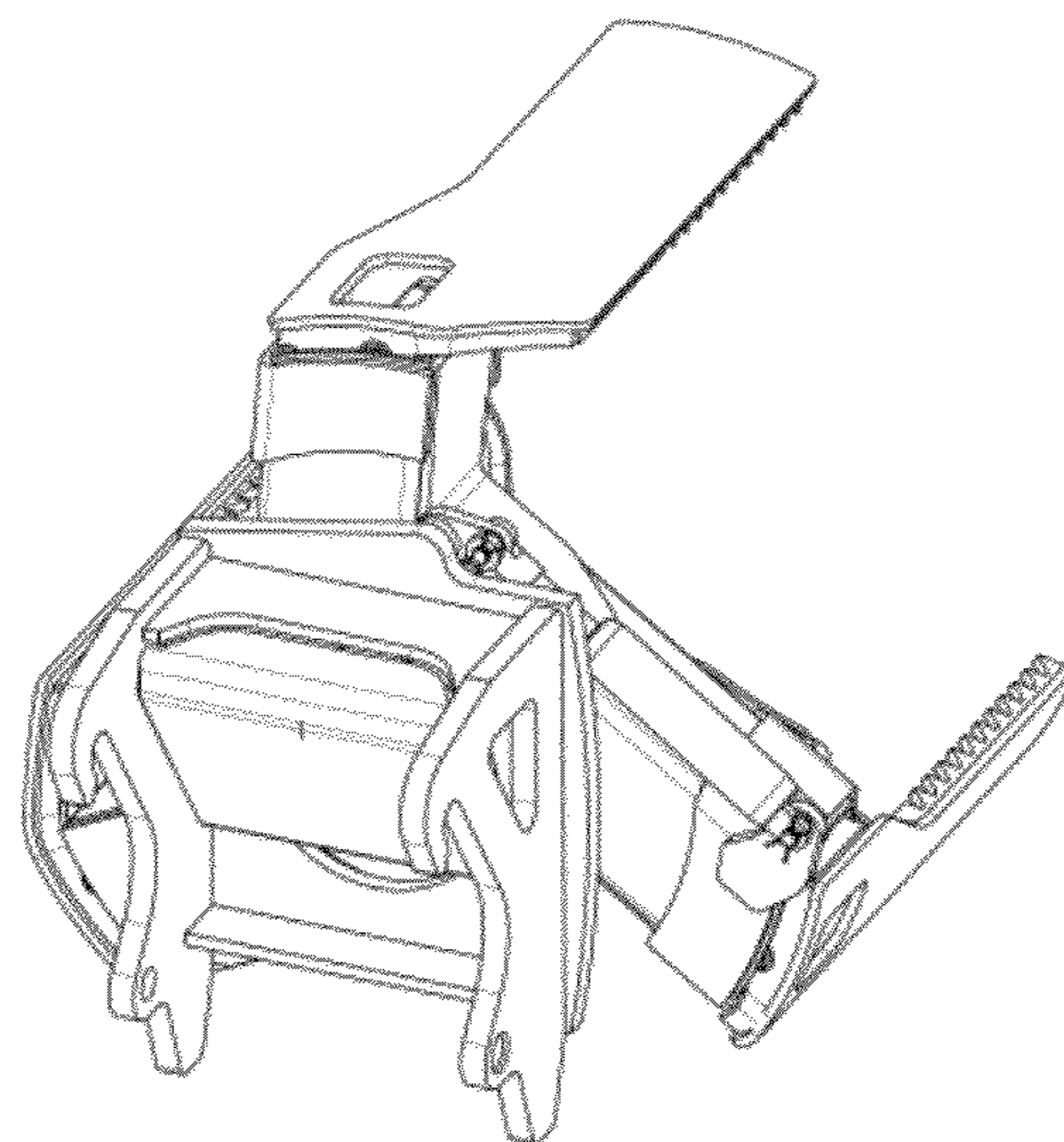
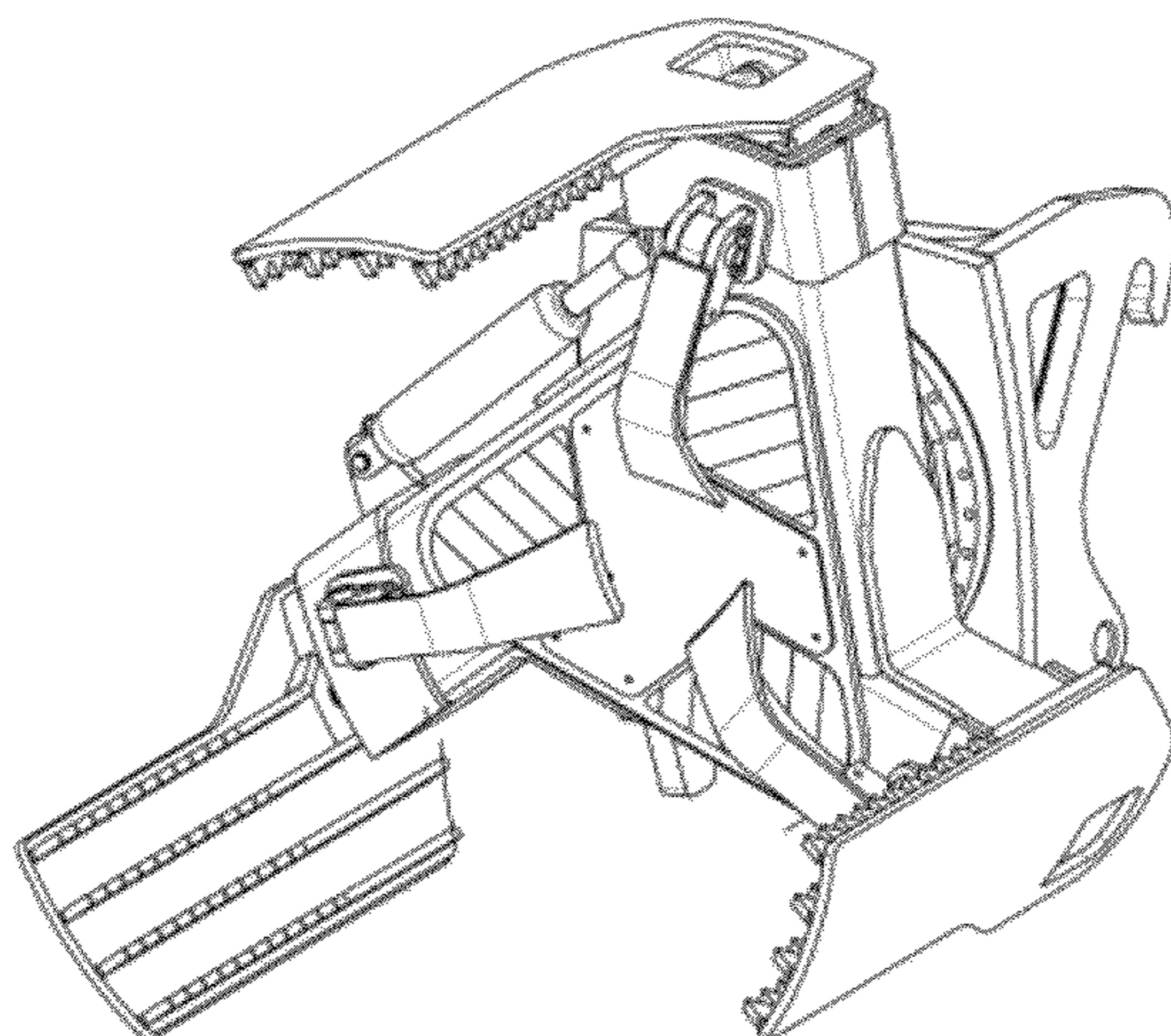
FIG. 19 shows a right side view (closed and extended) thereof;

FIG. 20 shows a left side view (closed and extended) thereof;

FIG. 21 shows a front perspective view (closed and extended) thereof; and,

FIG. 22 shows a rear perspective view (closed and extended) thereof.

1 Claim, 12 Drawing Sheets



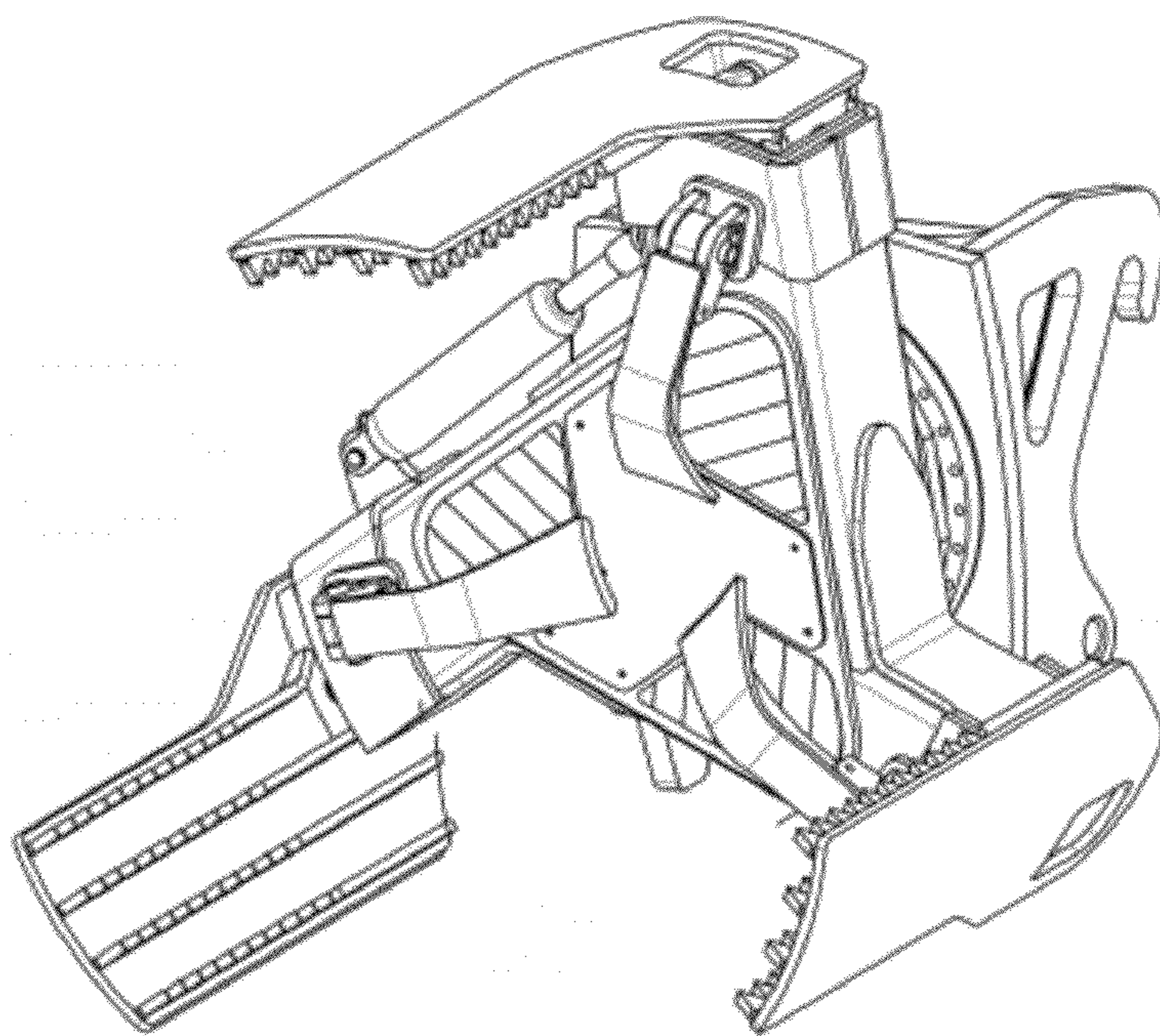


Fig. 1

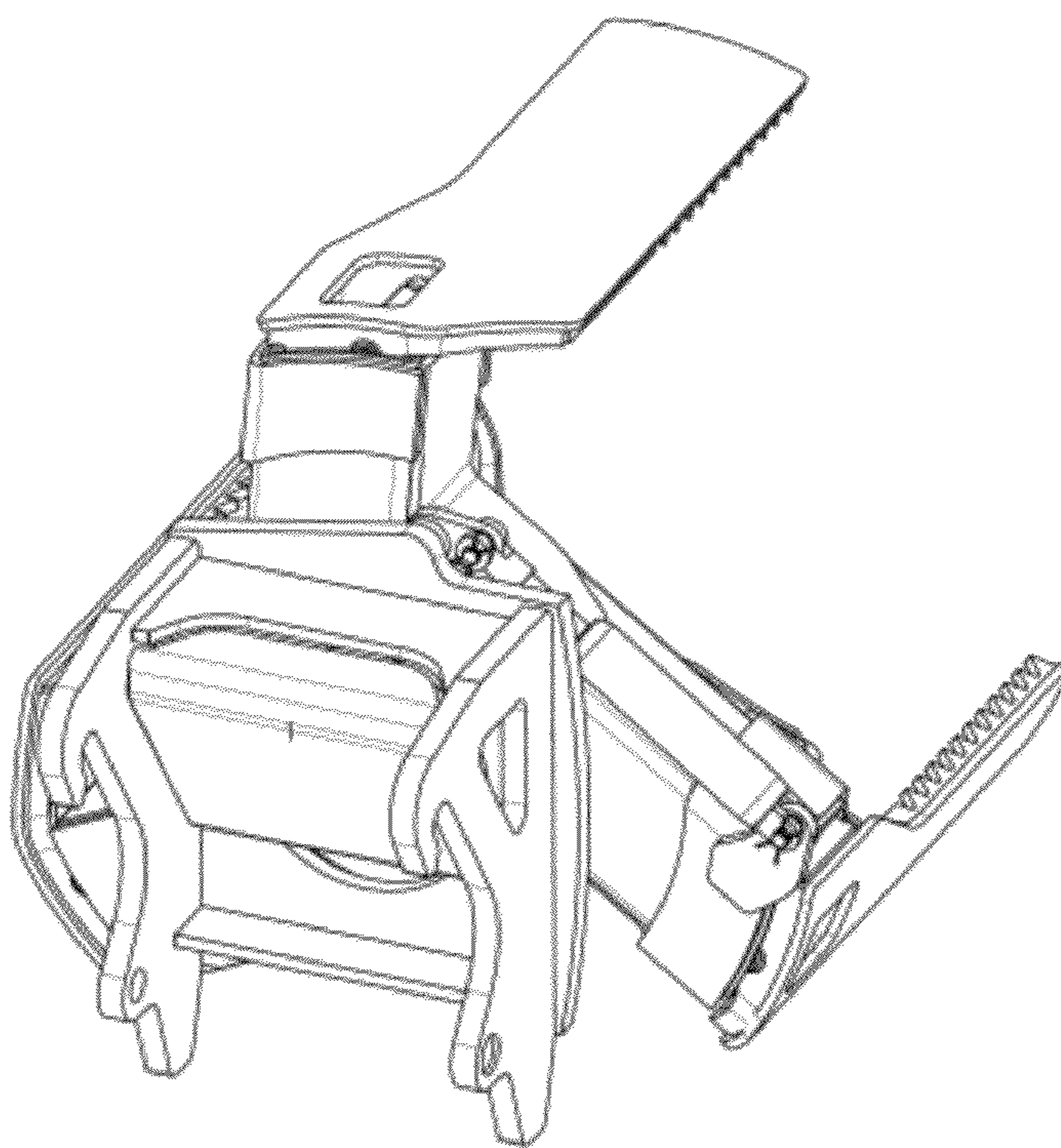


Fig. 2

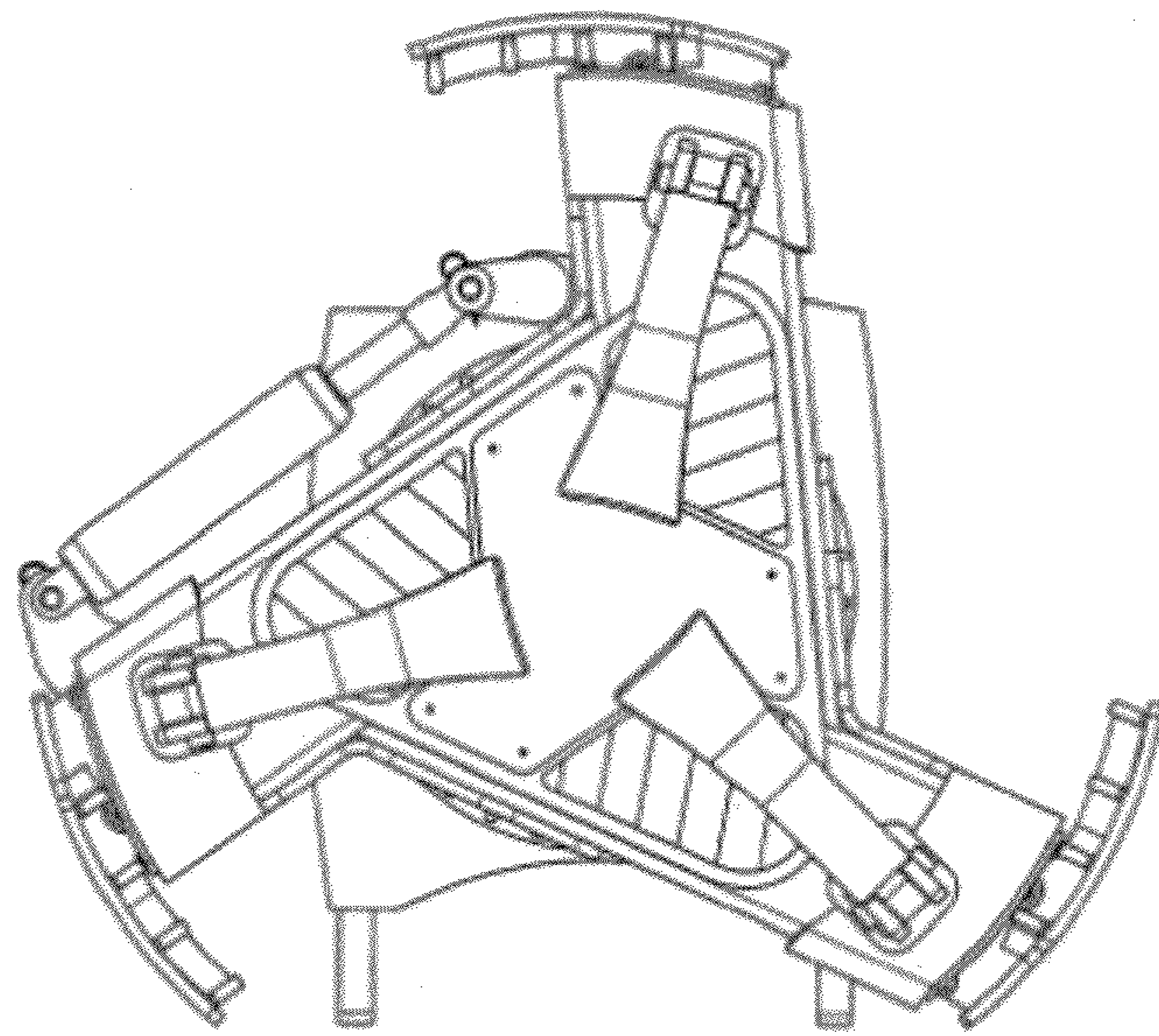


Fig. 3

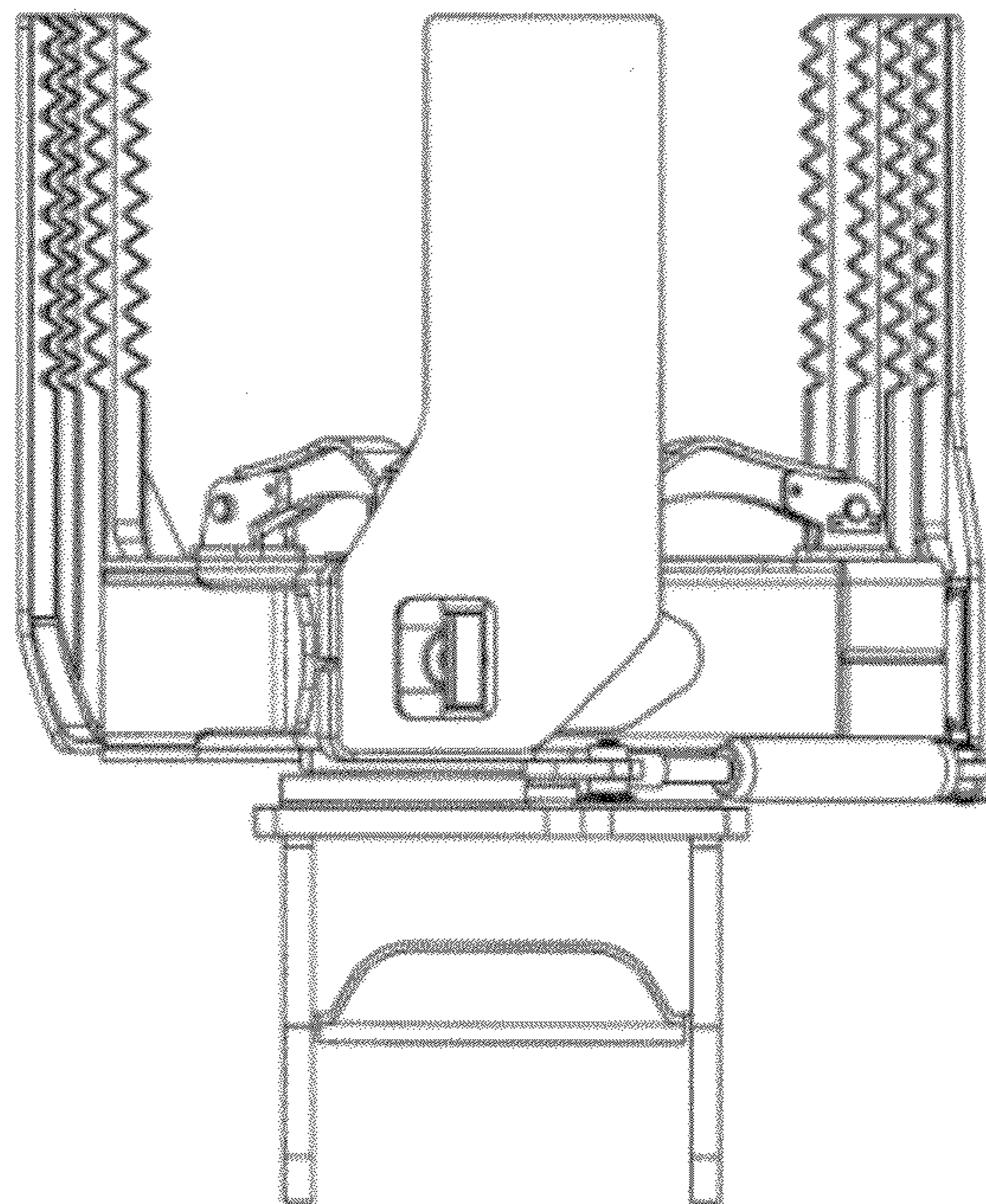


Fig. 4

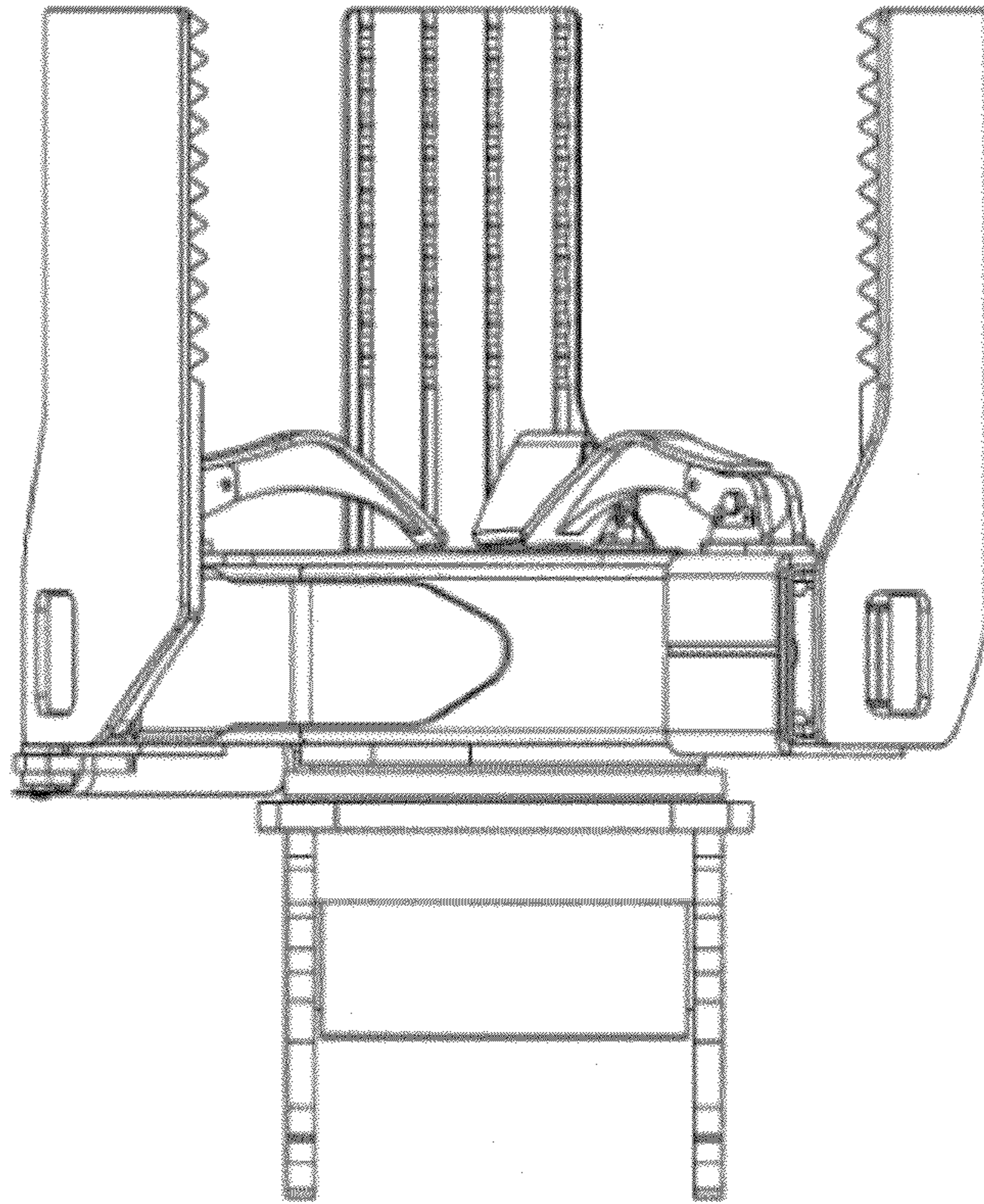


Fig. 5

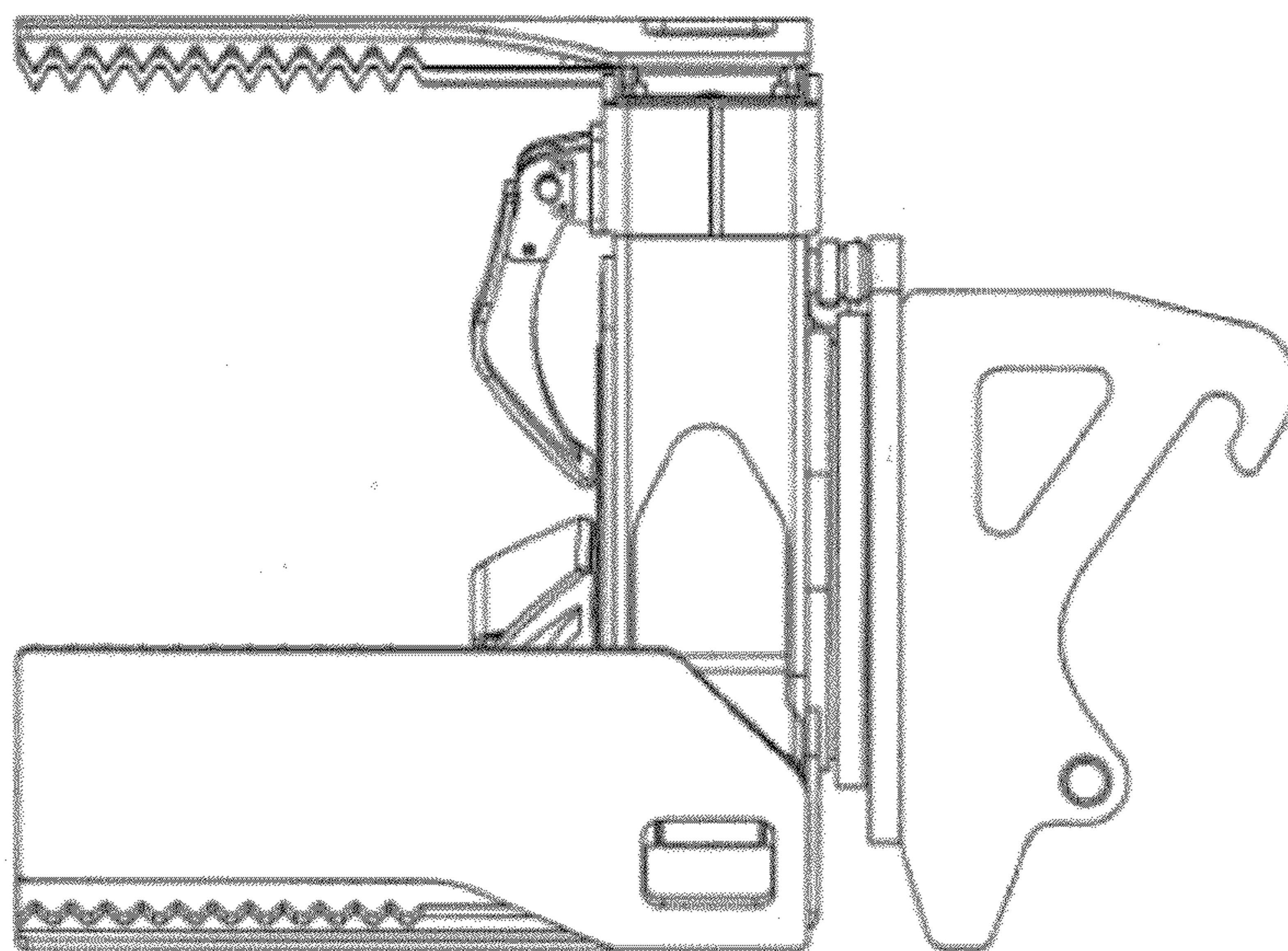


Fig. 6

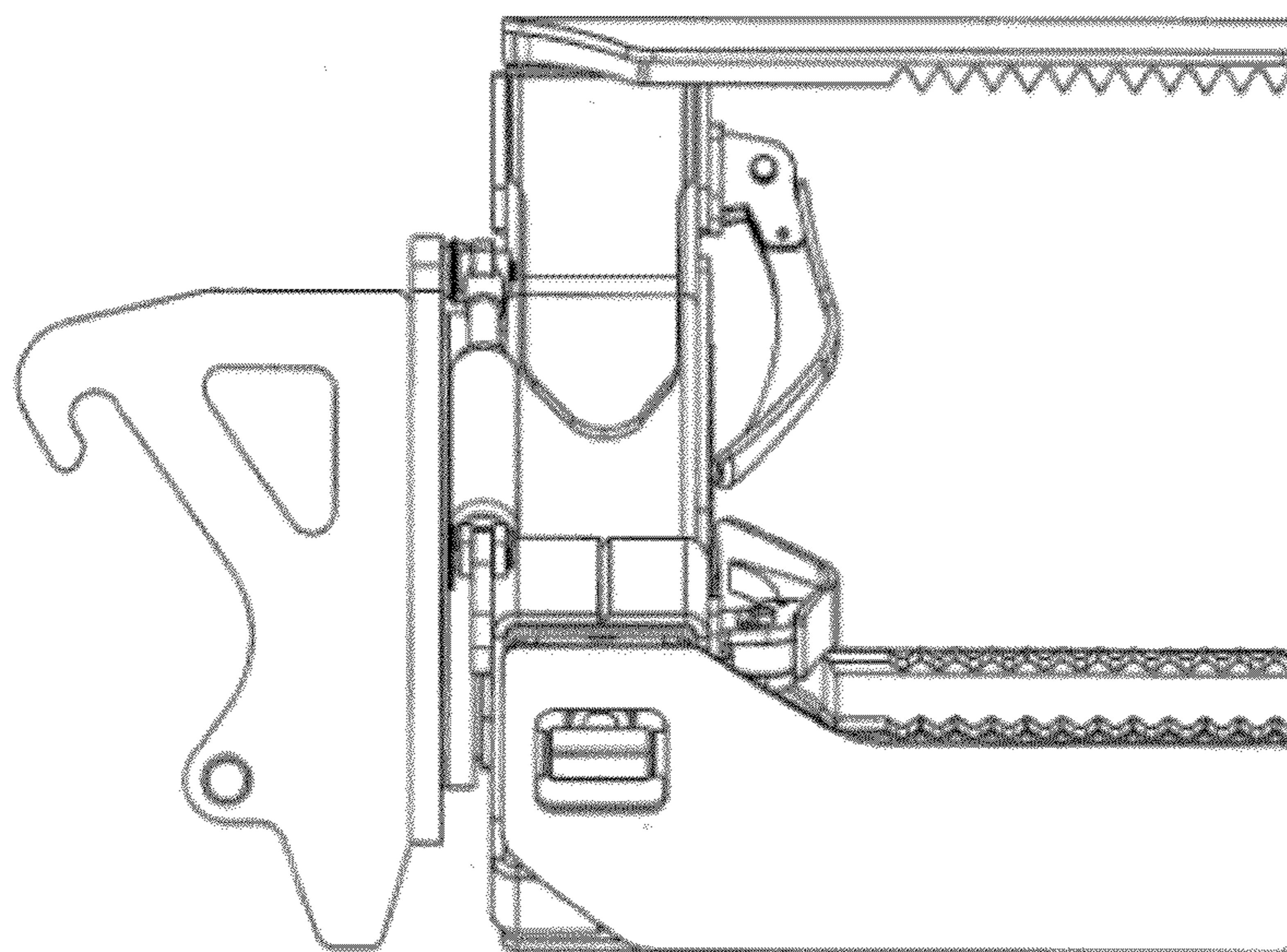


Fig. 7

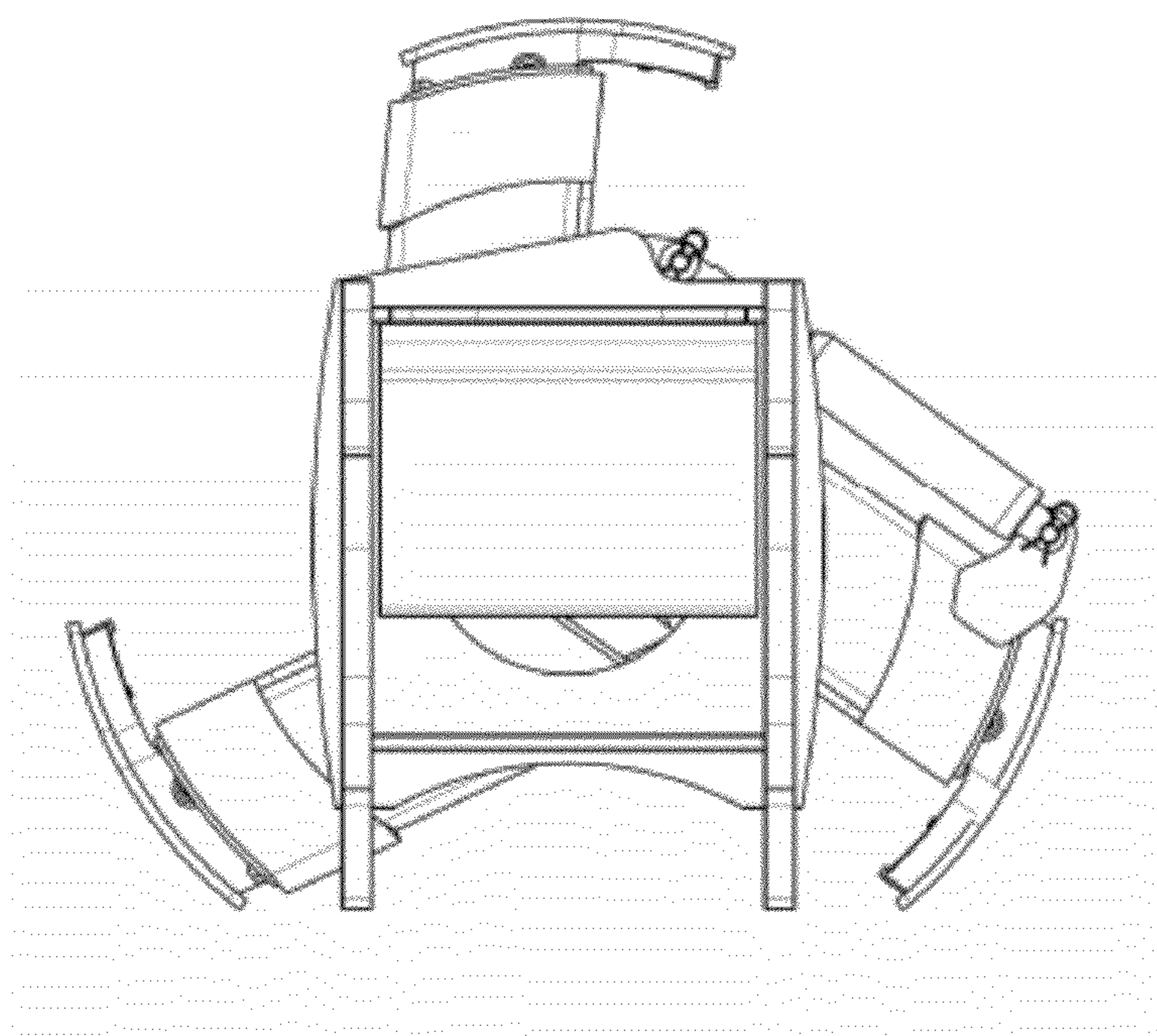


Fig. 8

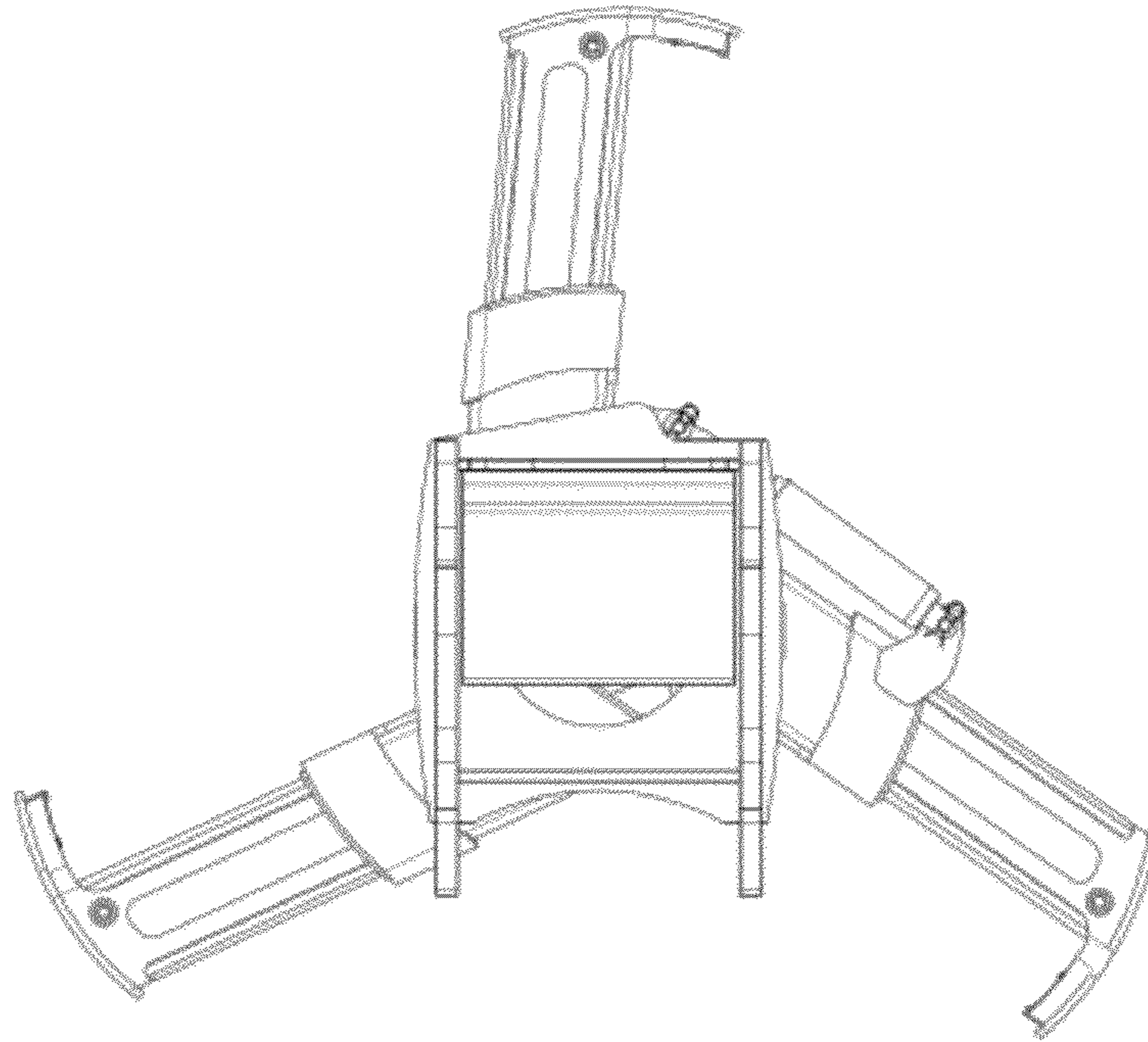


Fig. 9

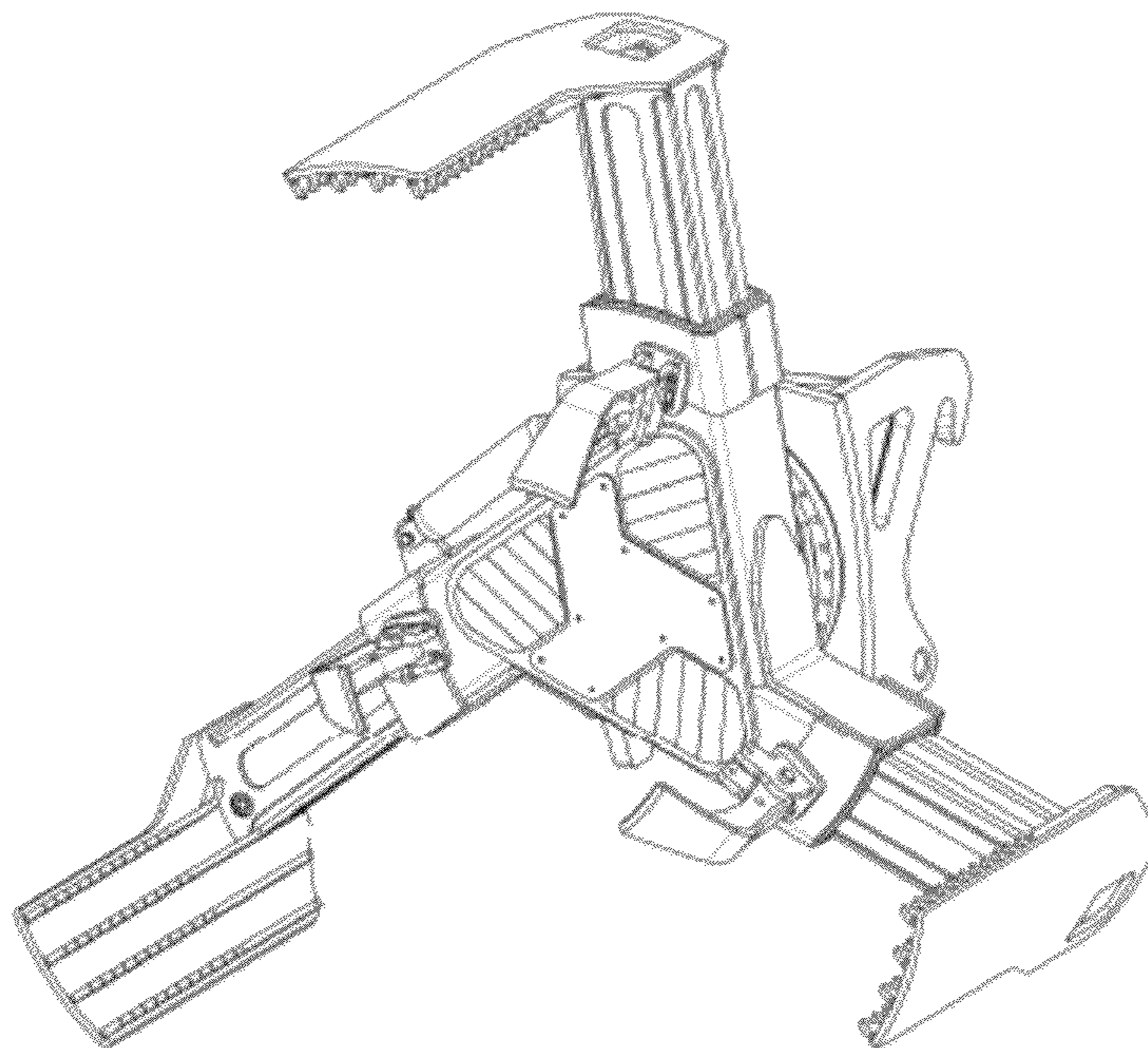


Fig. 10

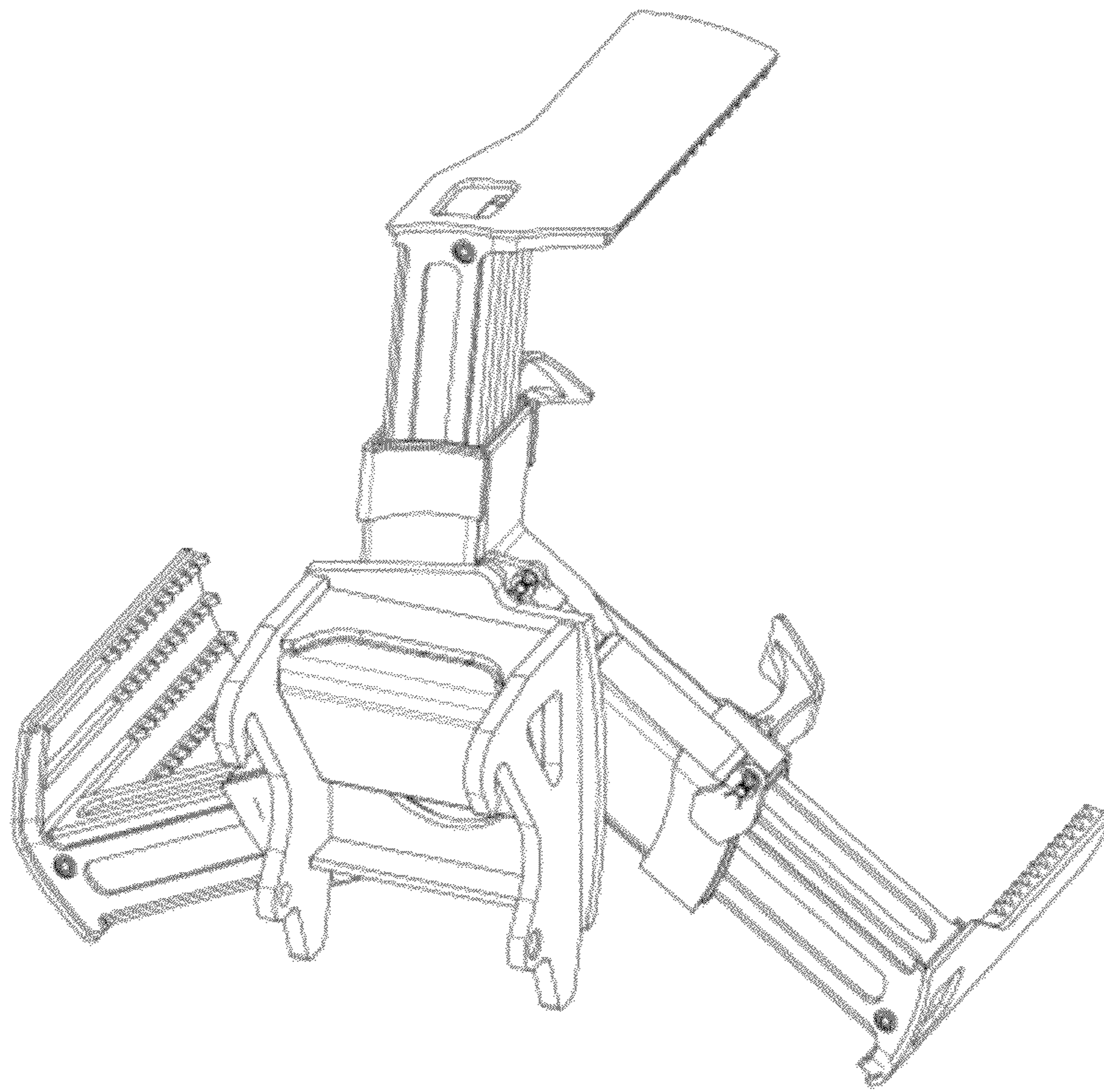


Fig. 11

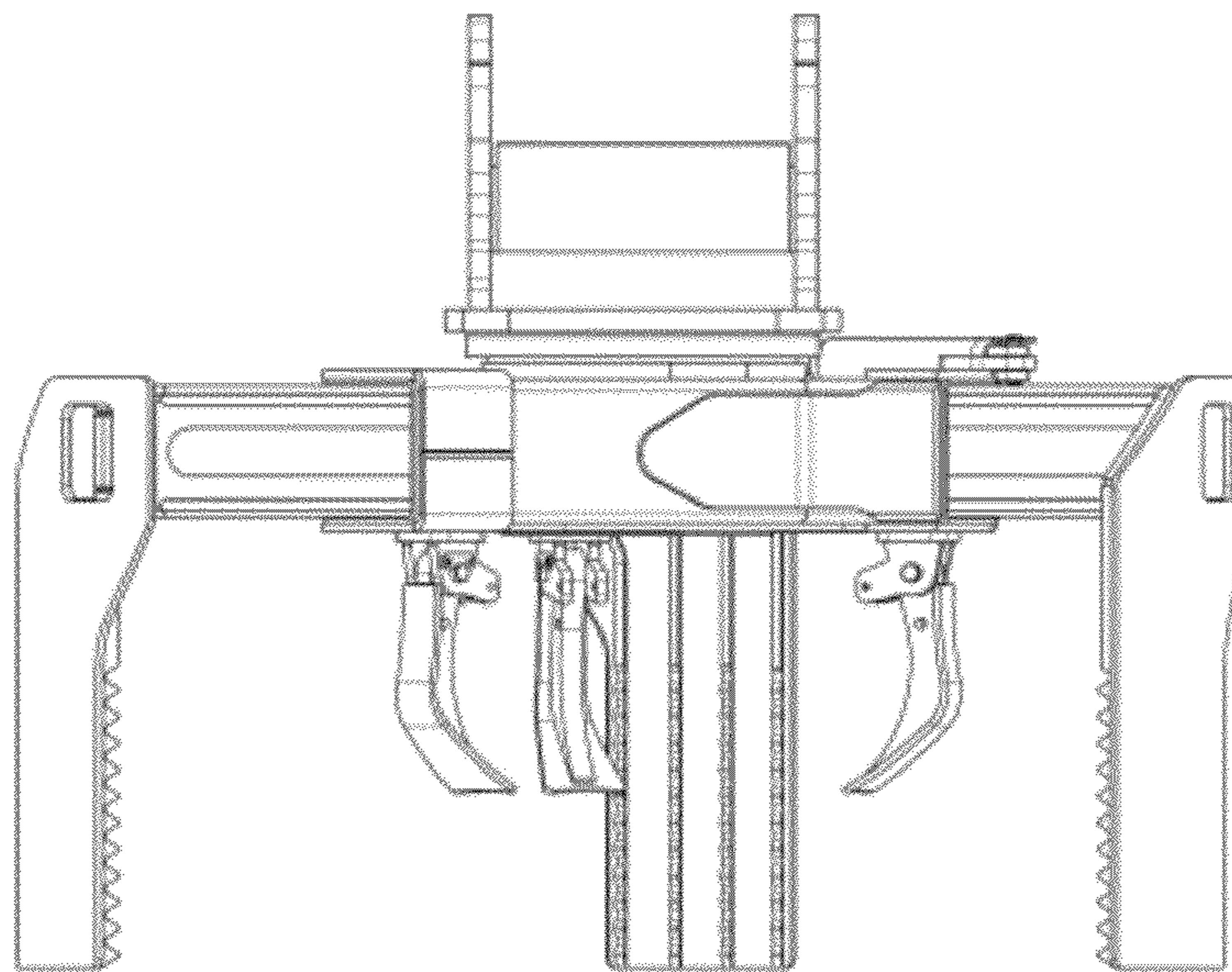


Fig. 12

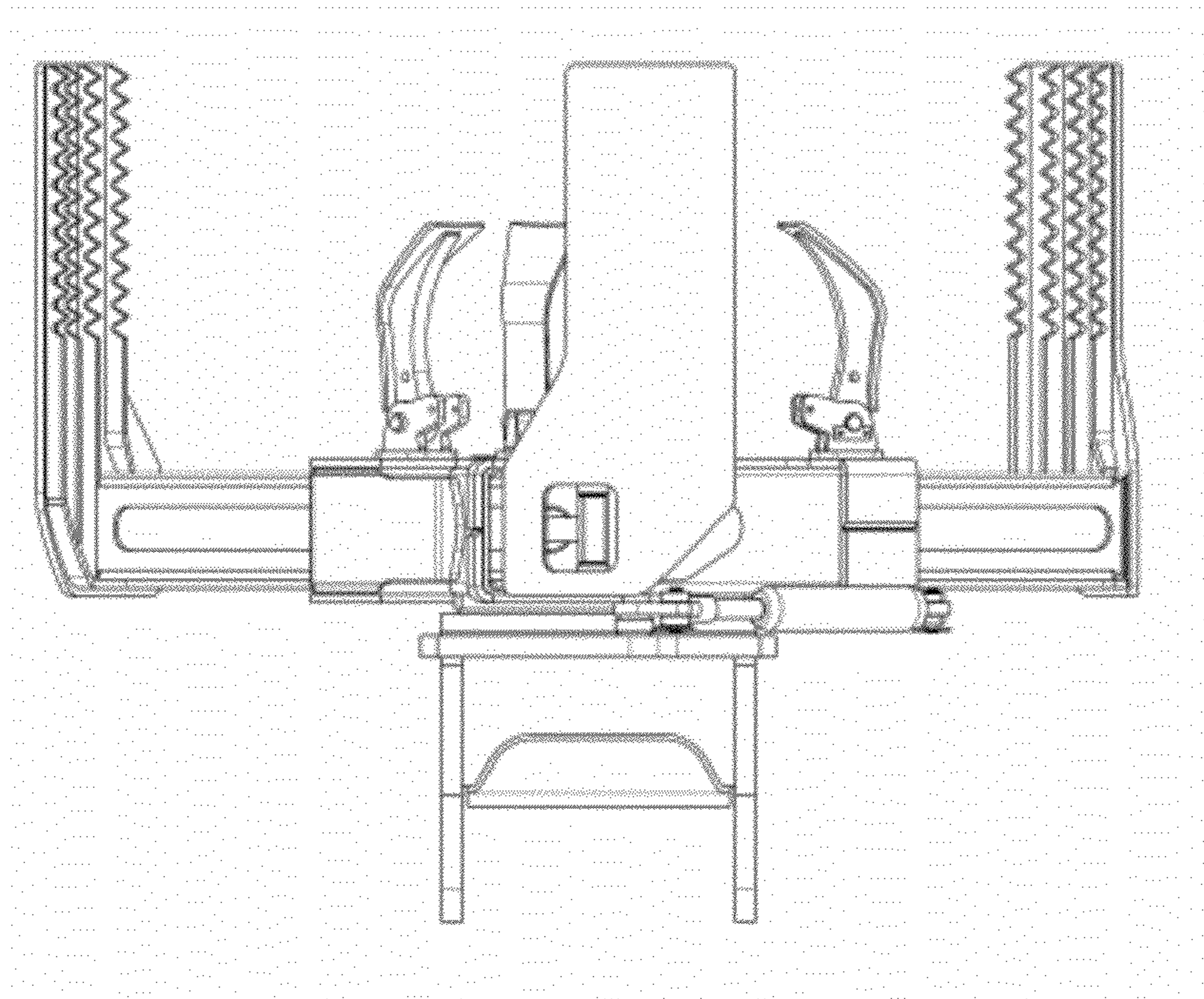


Fig. 13

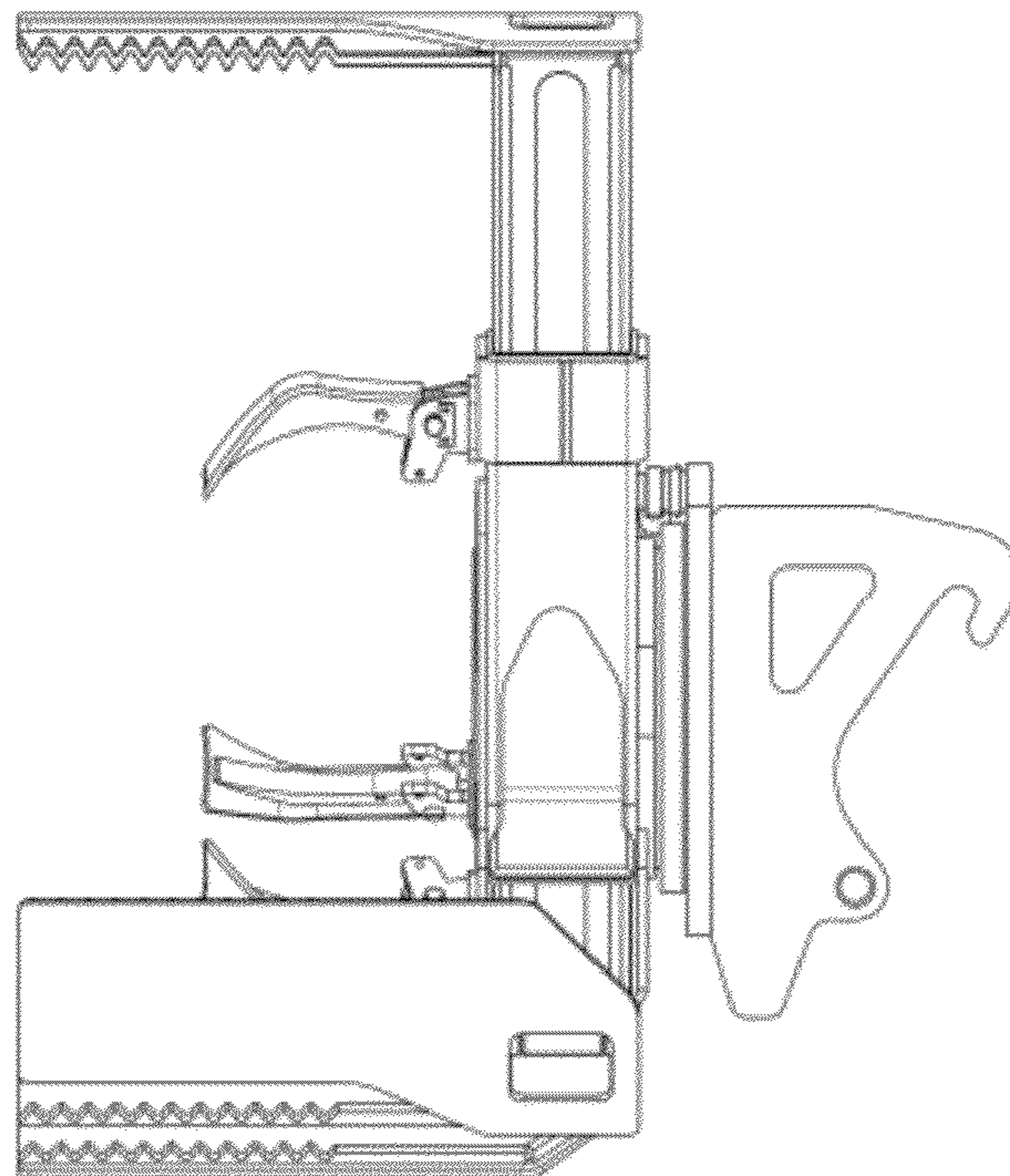


Fig. 14

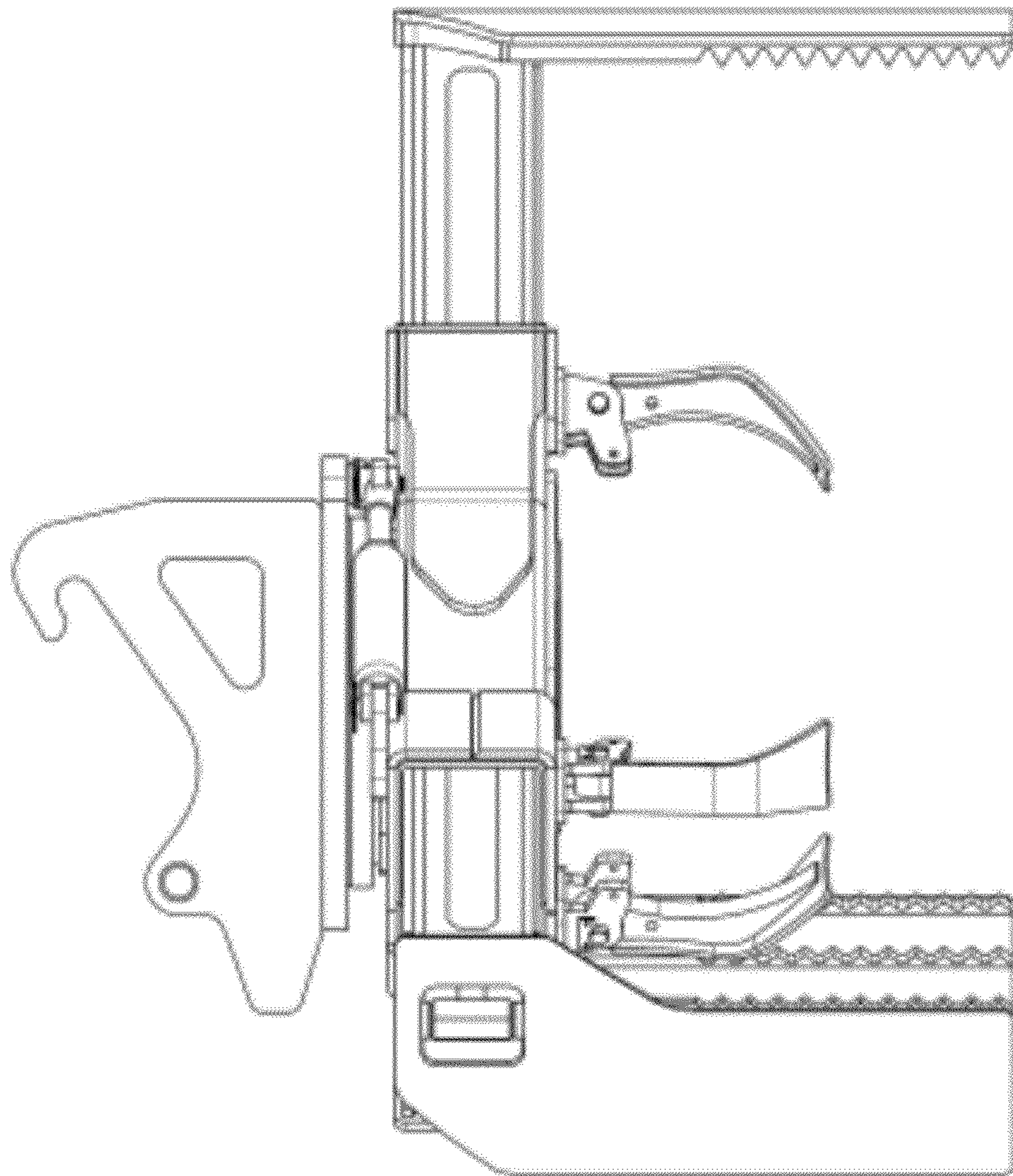


Fig. 15

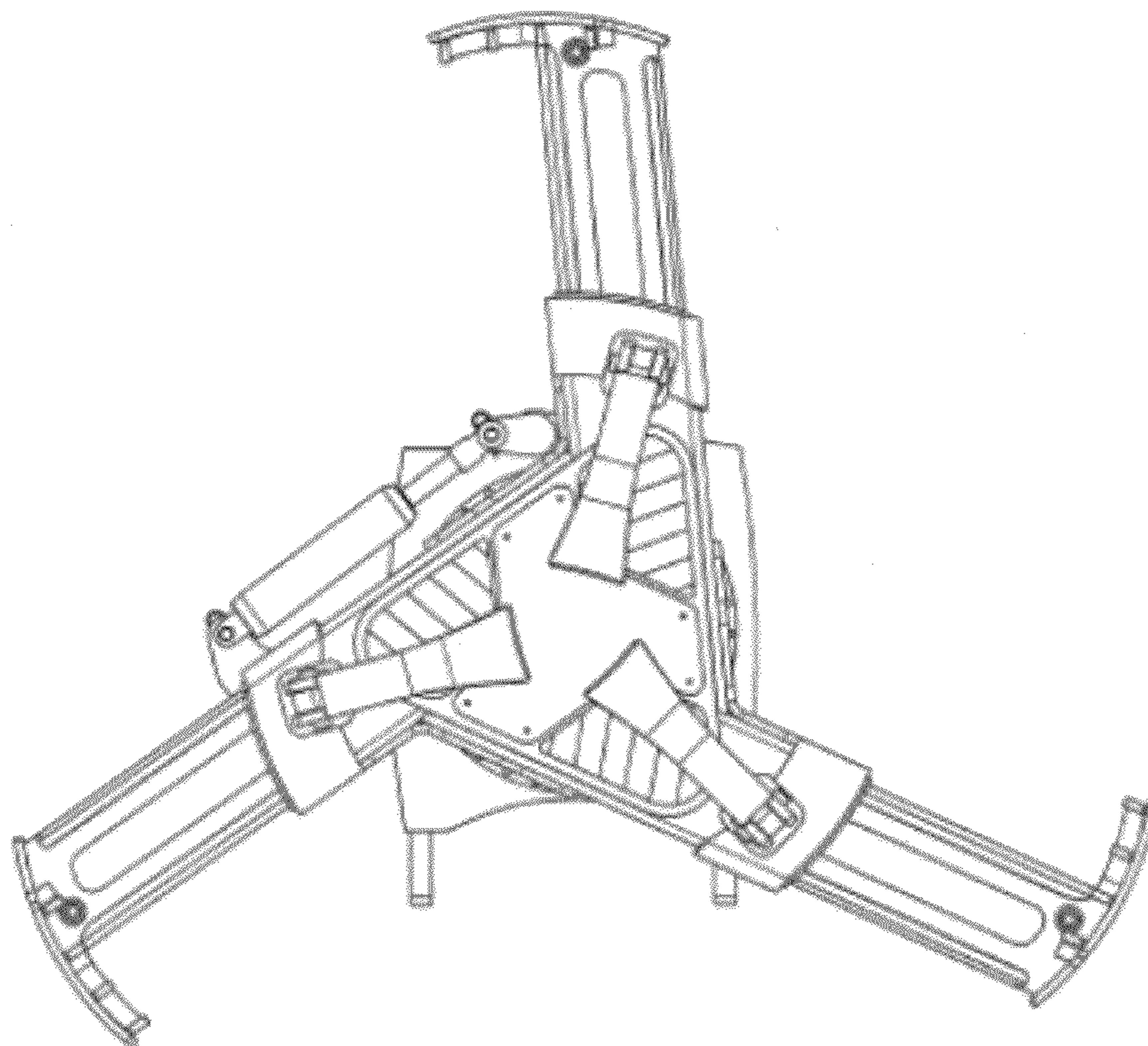


Fig. 16

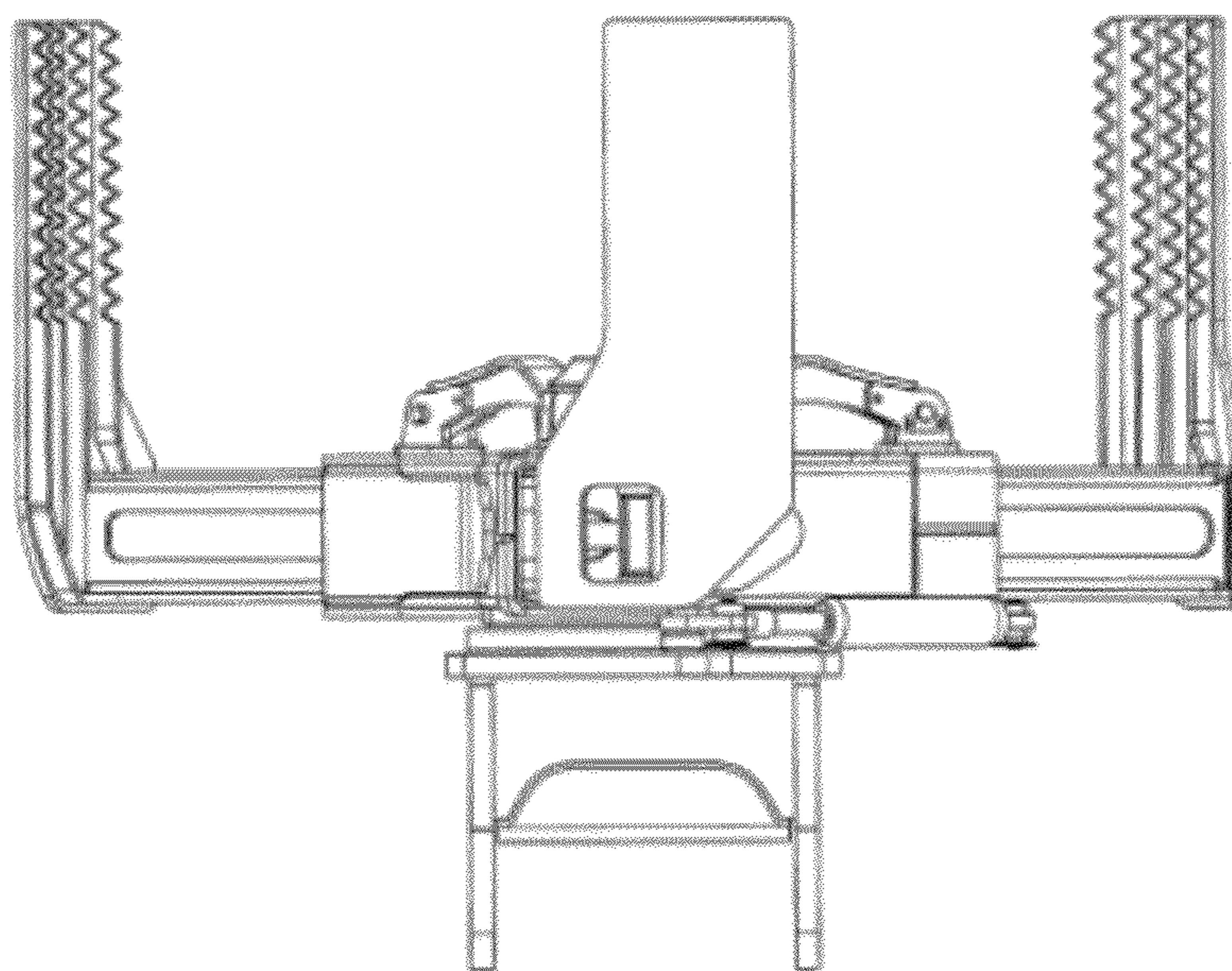


Fig. 17

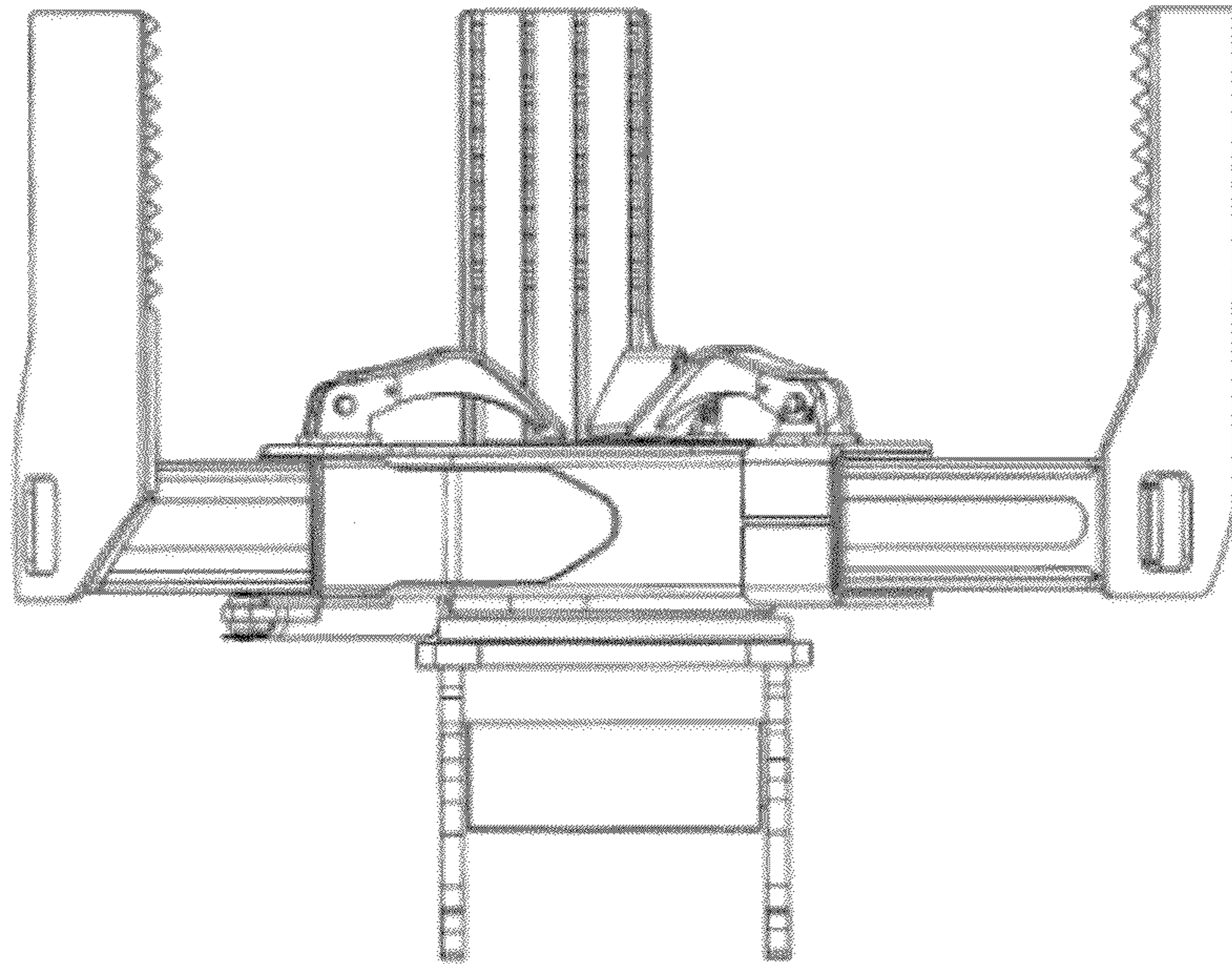


Fig. 18

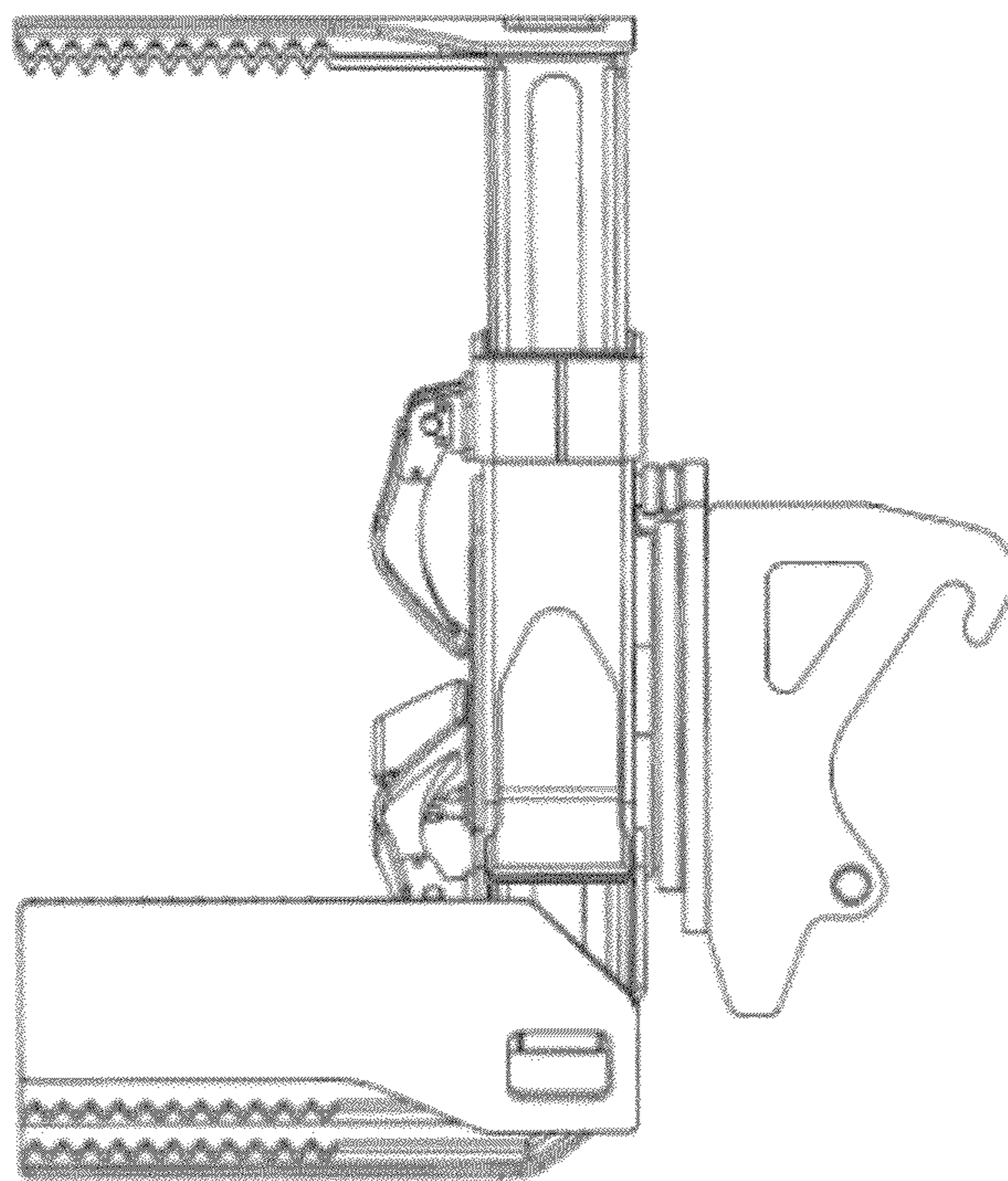


Fig. 19

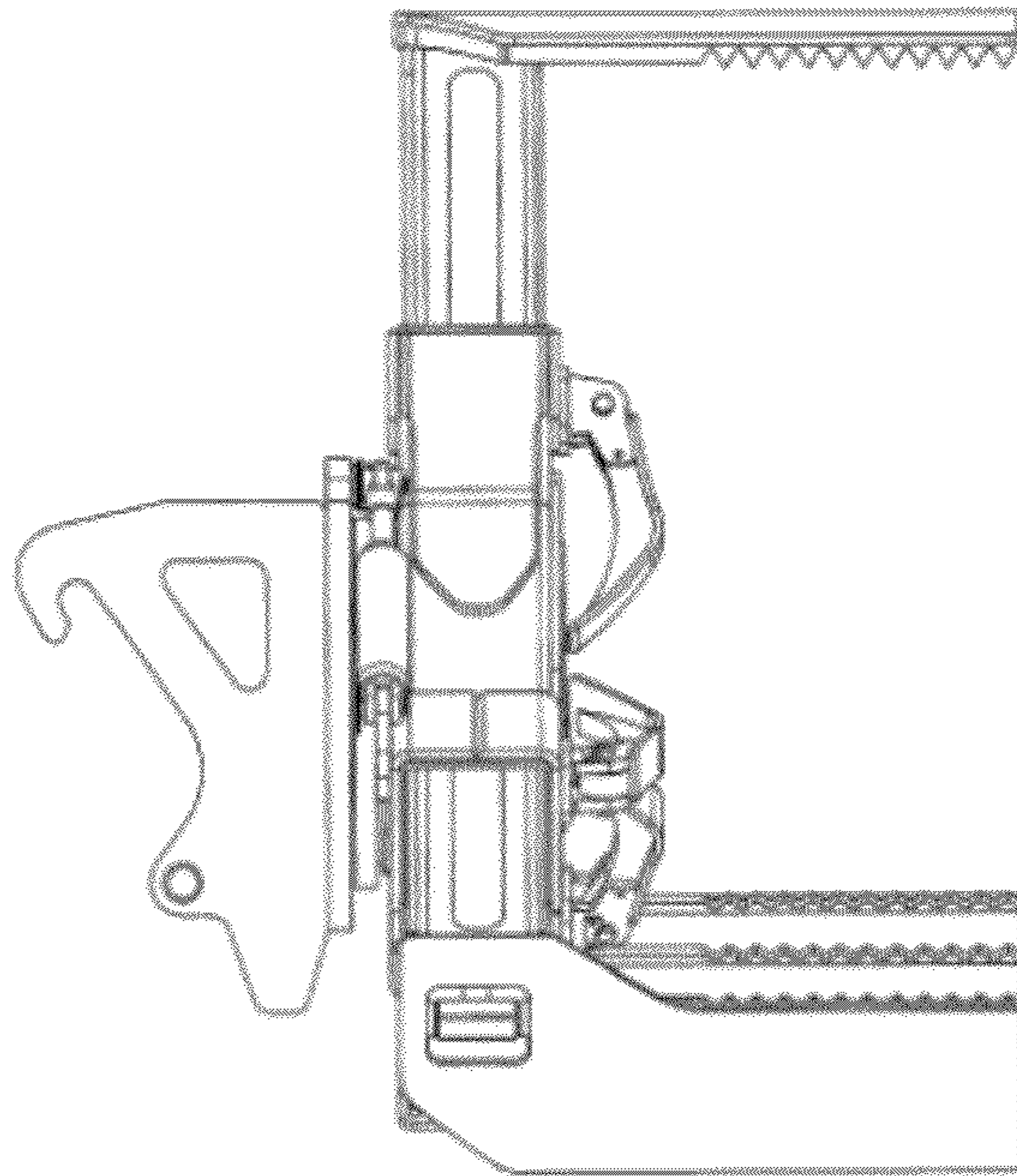


Fig. 20

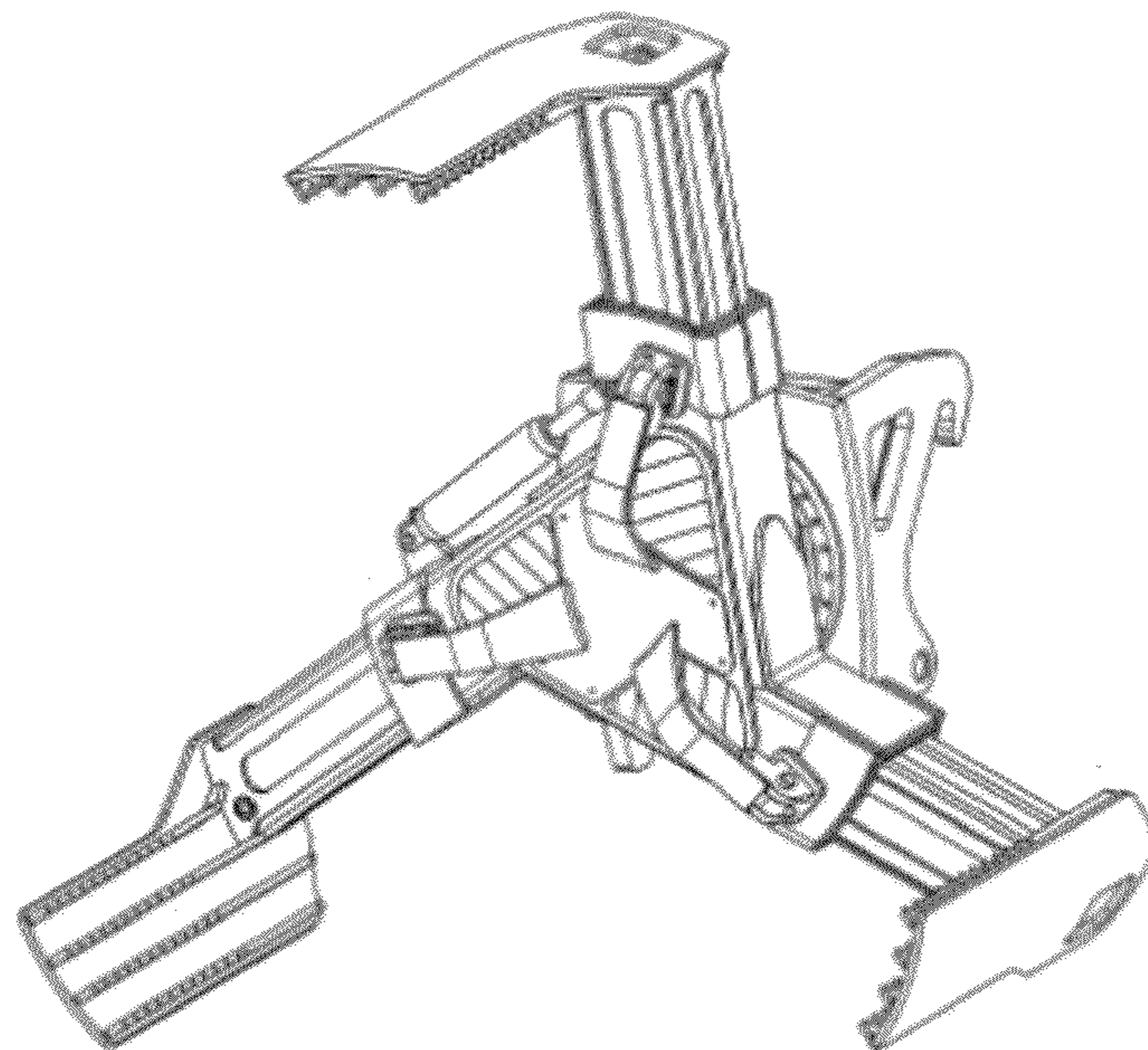


Fig. 21

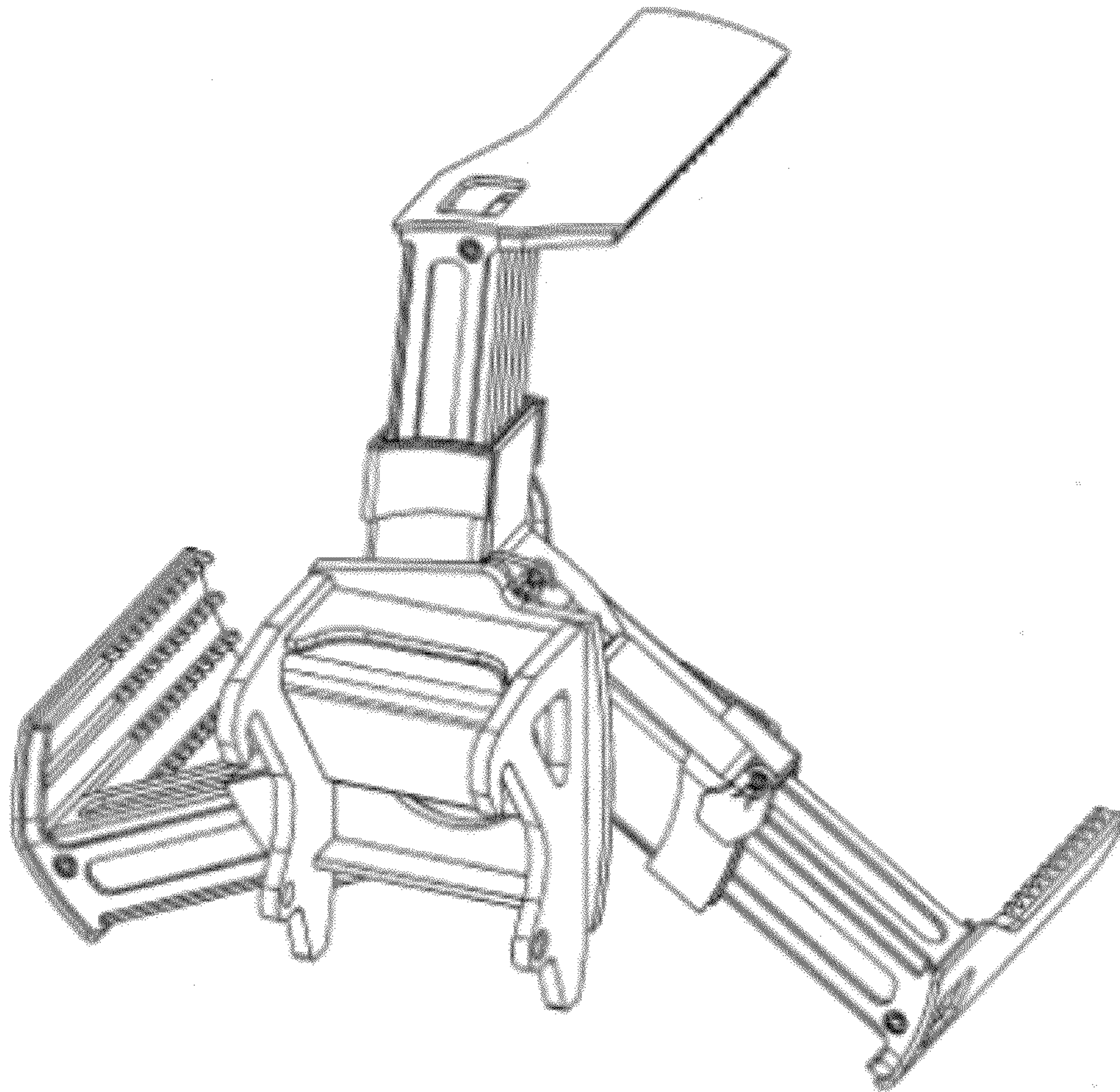


Fig.22