



US00D664165S

(12) **United States Design Patent**  
**Witz**

(10) **Patent No.:** **US D664,165 S**  
(45) **Date of Patent:** **\*\* Jul. 24, 2012**

(54) **GATE PORTION OF A PREFORM**

- (75) Inventor: **Jean-Christophe Witz**, Yutz (FR)
- (73) Assignee: **Husky Injection Molding Systems Ltd.**, Bolton, Ontario (CA)
- (\*\*) Term: **14 Years**
- (21) Appl. No.: **29/356,396**
- (22) Filed: **Feb. 25, 2010**

**Related U.S. Application Data**

- (63) Continuation-in-part of application No. 29/332,446, filed on Feb. 17, 2009, now abandoned.
- (51) **LOC (9) Cl.** ..... **15-09**
- (52) **U.S. Cl.** ..... **D15/136**
- (58) **Field of Classification Search** ..... D9/740-745; D15/135, 136; D26/1-4; 249/142; 264/532, 264/537; 313/37-38, 271-279, 316, 333; 315/46-49, 66-69; 425/533, 577  
See application file for complete search history.

(56) **References Cited**

**U.S. PATENT DOCUMENTS**

3,819,314	A	6/1974	Marcus	
4,432,530	A	2/1984	Marcinek	
4,915,992	A	4/1990	Takakusaki et al.	
4,927,680	A	5/1990	Collette et al.	
4,959,006	A	9/1990	Feddersen et al.	
5,008,066	A	4/1991	Mueller	
5,158,817	A	10/1992	Krishnakumar	
D342,028	S *	12/1993	Stenger	D9/521

(Continued)

**FOREIGN PATENT DOCUMENTS**

IT 0006443980001 1/2007

**OTHER PUBLICATIONS**

Concordia Development, The Smartest Way of Saving Weight, Cappello Design, Works exclusively with Otto Hofstetter and Husky, Milano, Italy.

*Primary Examiner* — Patricia Palasik

(74) *Attorney, Agent, or Firm* — Husky Intellectual Property Services

(57) **CLAIM**

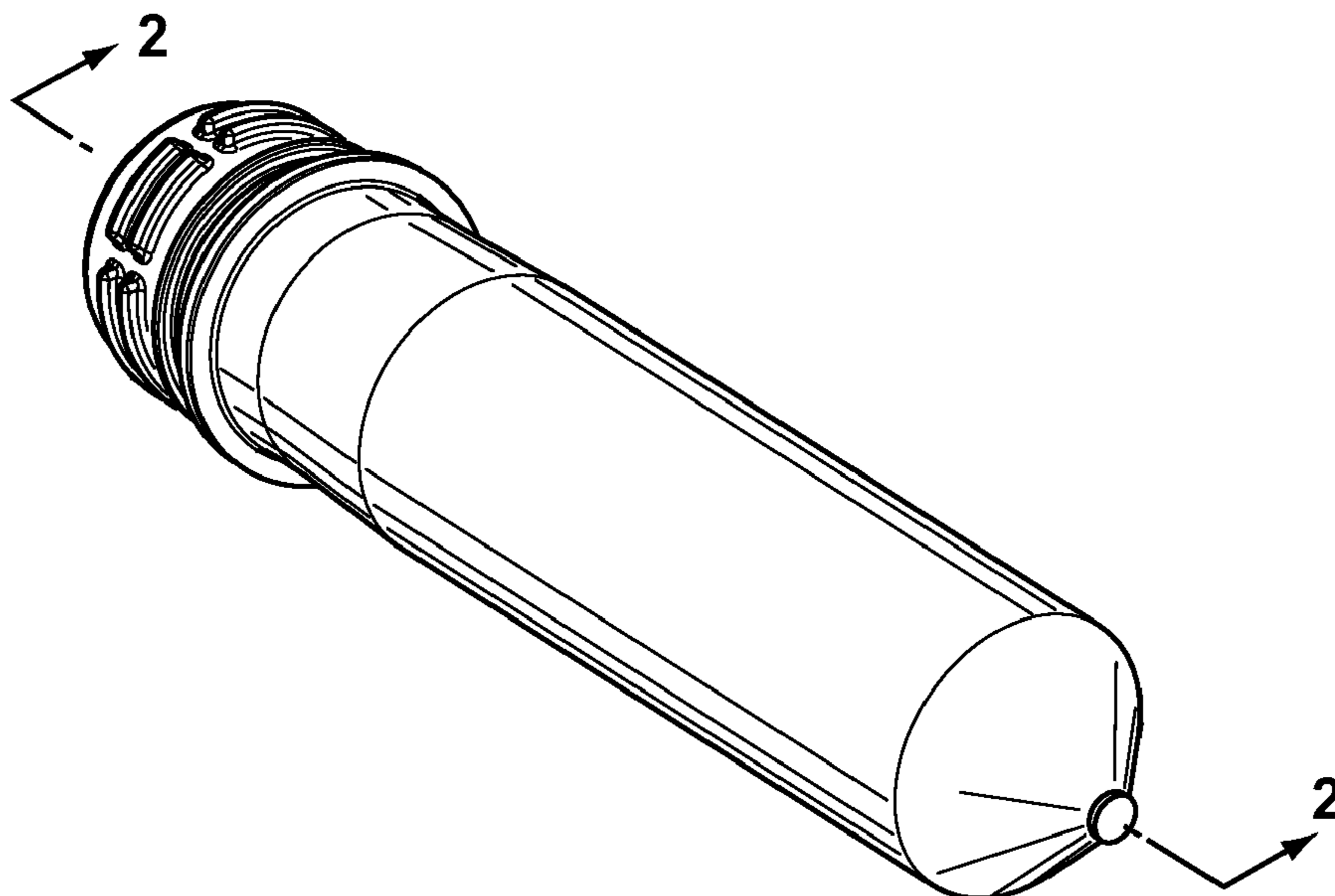
We claim the ornamental design for a gate portion of a preform, as shown and described.

**DESCRIPTION**

FIG. 1 depicts a perspective view of the preform having a gate portion design according to a first embodiment; FIG. 2 depicts a sectional view of the preform having the gate portion design of FIG. 1; FIG. 3 depicts a perspective view of the preform having a gate portion design according to a second embodiment; FIG. 4 depicts a sectional view of the preform having the gate portion design of FIG. 3; FIG. 5 depicts a perspective view of the preform having a gate portion design according to a third embodiment; FIG. 6 depicts a sectional view of the preform having the gate portion design of FIG. 5; FIG. 7 depicts a perspective view of the preform having a gate portion design according to a fourth embodiment; FIG. 8 depicts a sectional view of the preform having the gate portion design of FIG. 7; FIG. 9 depicts a perspective view of the preform having a gate portion design according to a fifth embodiment; and, FIG. 10 depicts a sectional view of the preform having the gate portion design of FIG. 9.

The broken lines in the figure drawings represent environmental structure and form no part of the claimed design.

**1 Claim, 5 Drawing Sheets**



# US D664,165 S

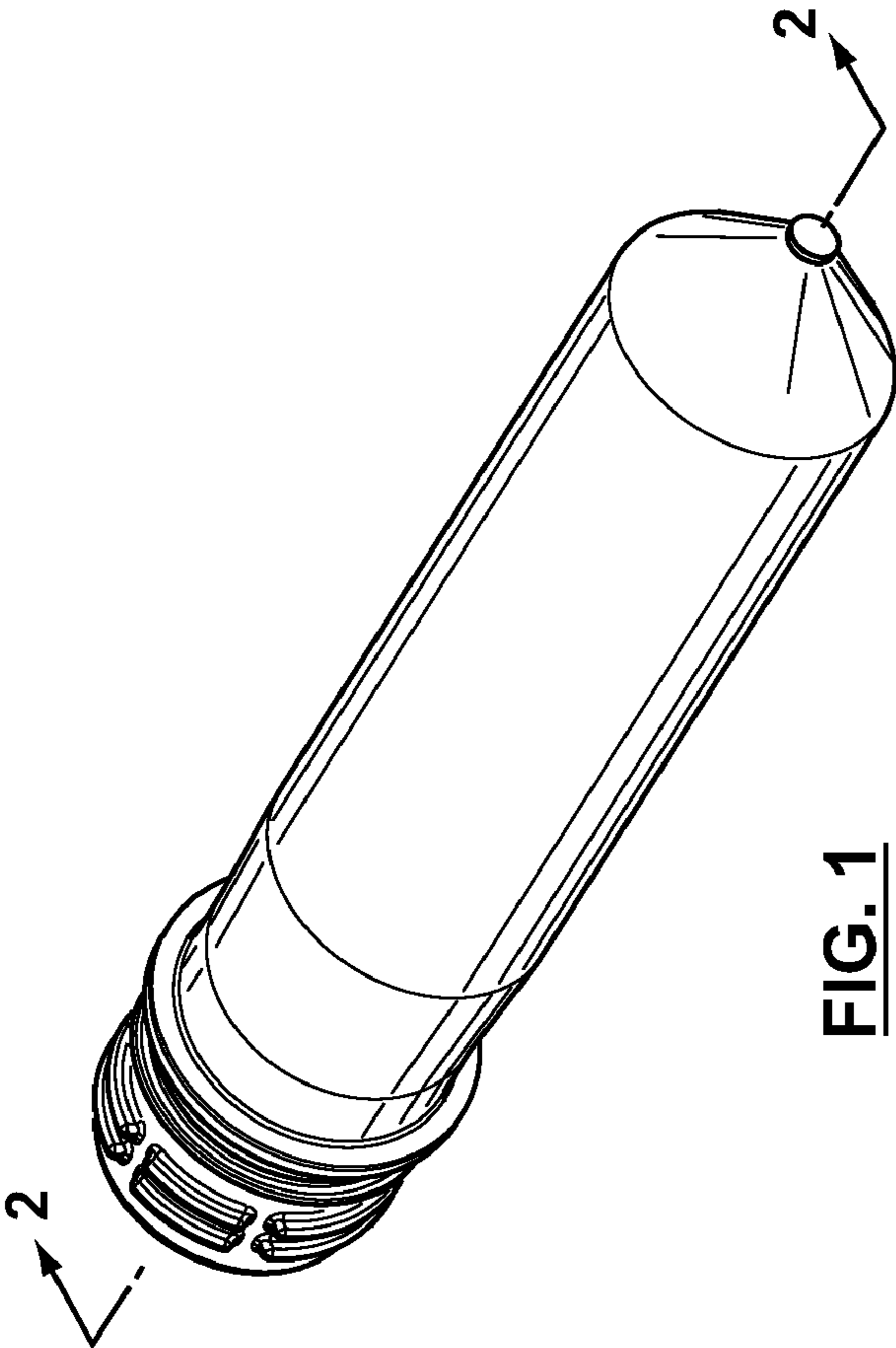
Page 2

---

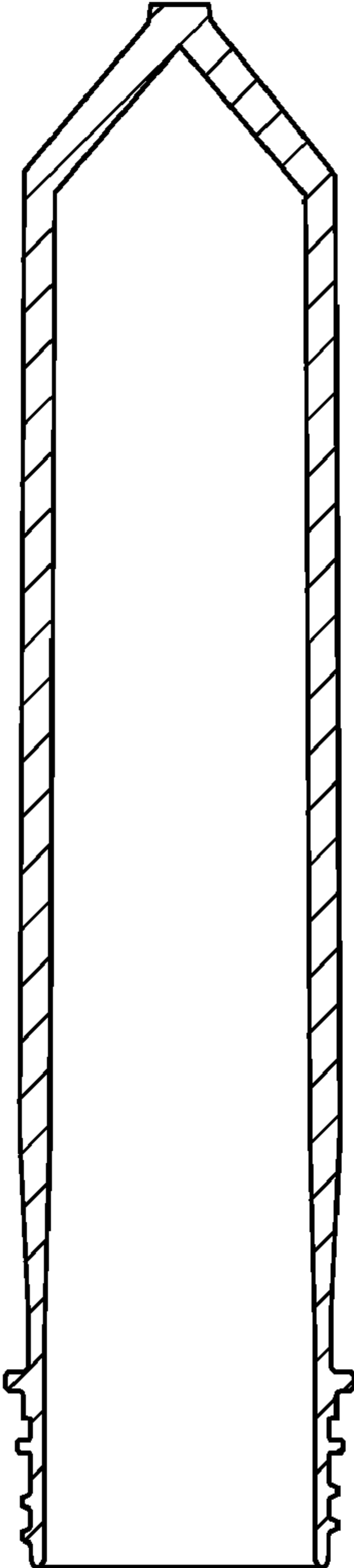
## U.S. PATENT DOCUMENTS

5,455,088	A	10/1995	Deemer	6,248,413	B1	6/2001	Barel et al.	
5,714,111	A	2/1998	Beck et al.	D633,392	S *	3/2011	Northrop et al. ....	D9/521
5,888,598	A	3/1999	Brewster et al.	7,897,222	B2	3/2011	Witz et al.	
6,079,579	A	6/2000	De Cuyper	D644,536	S *	9/2011	Witz et al. ....	D9/740

\* cited by examiner



**FIG. 1**



**FIG. 2**

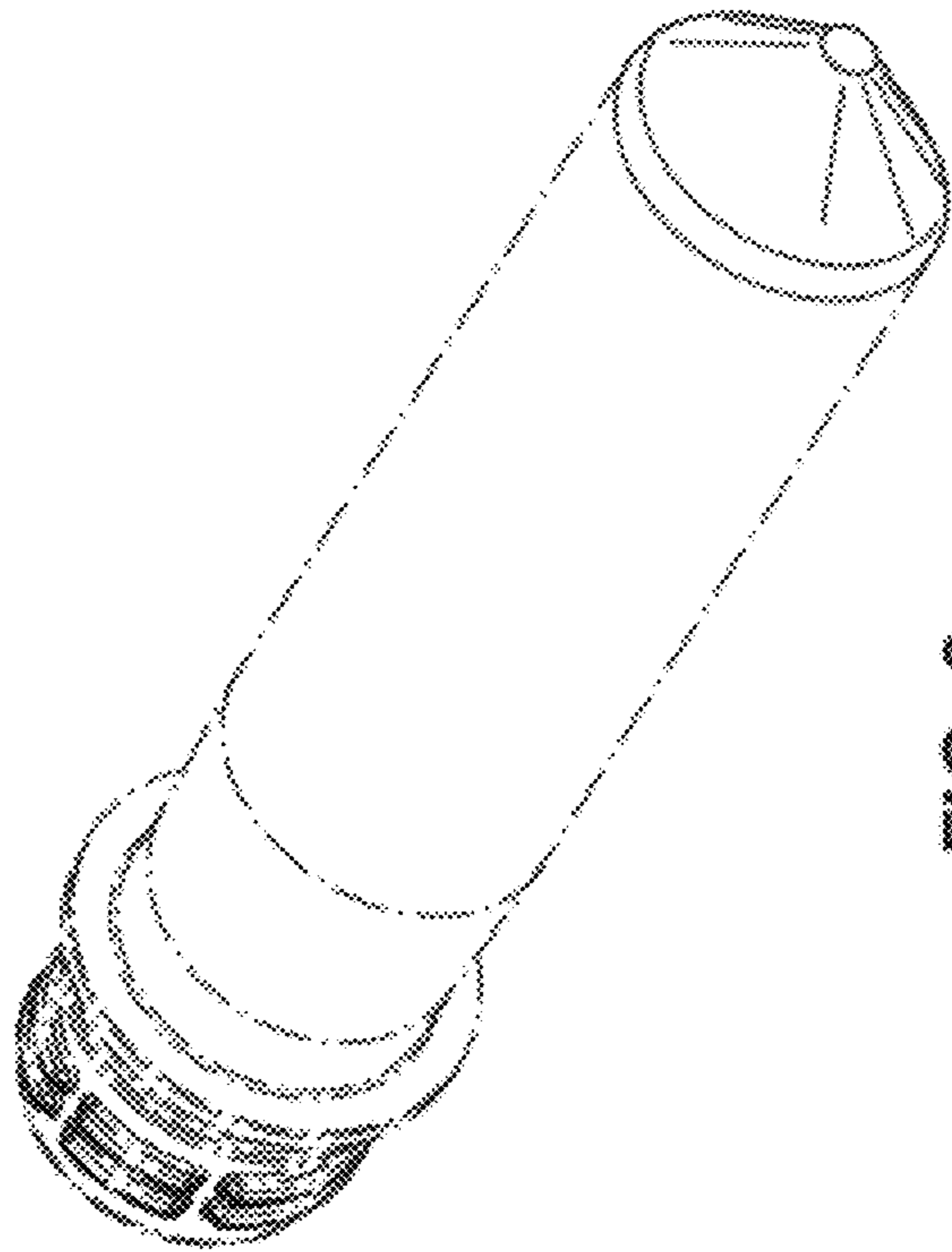


FIG. 3

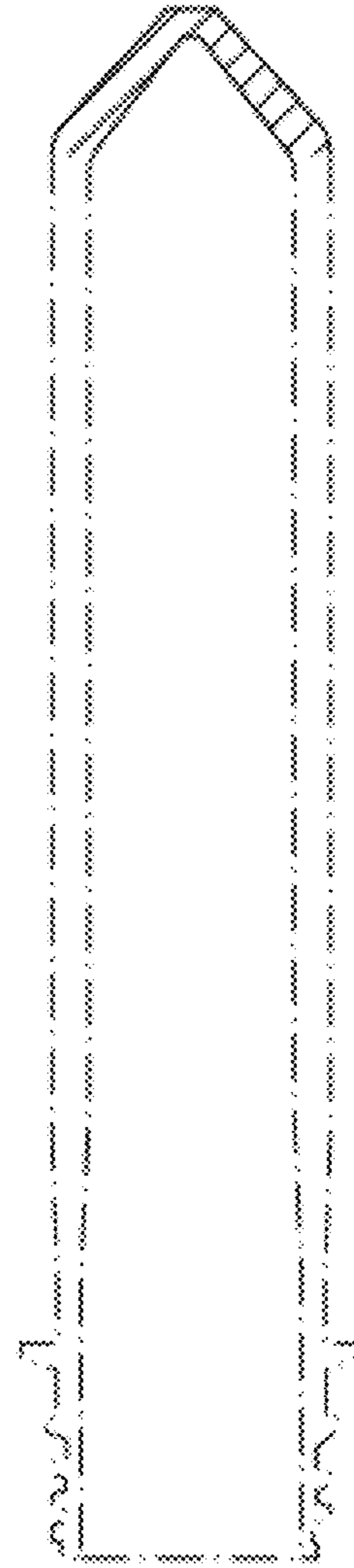
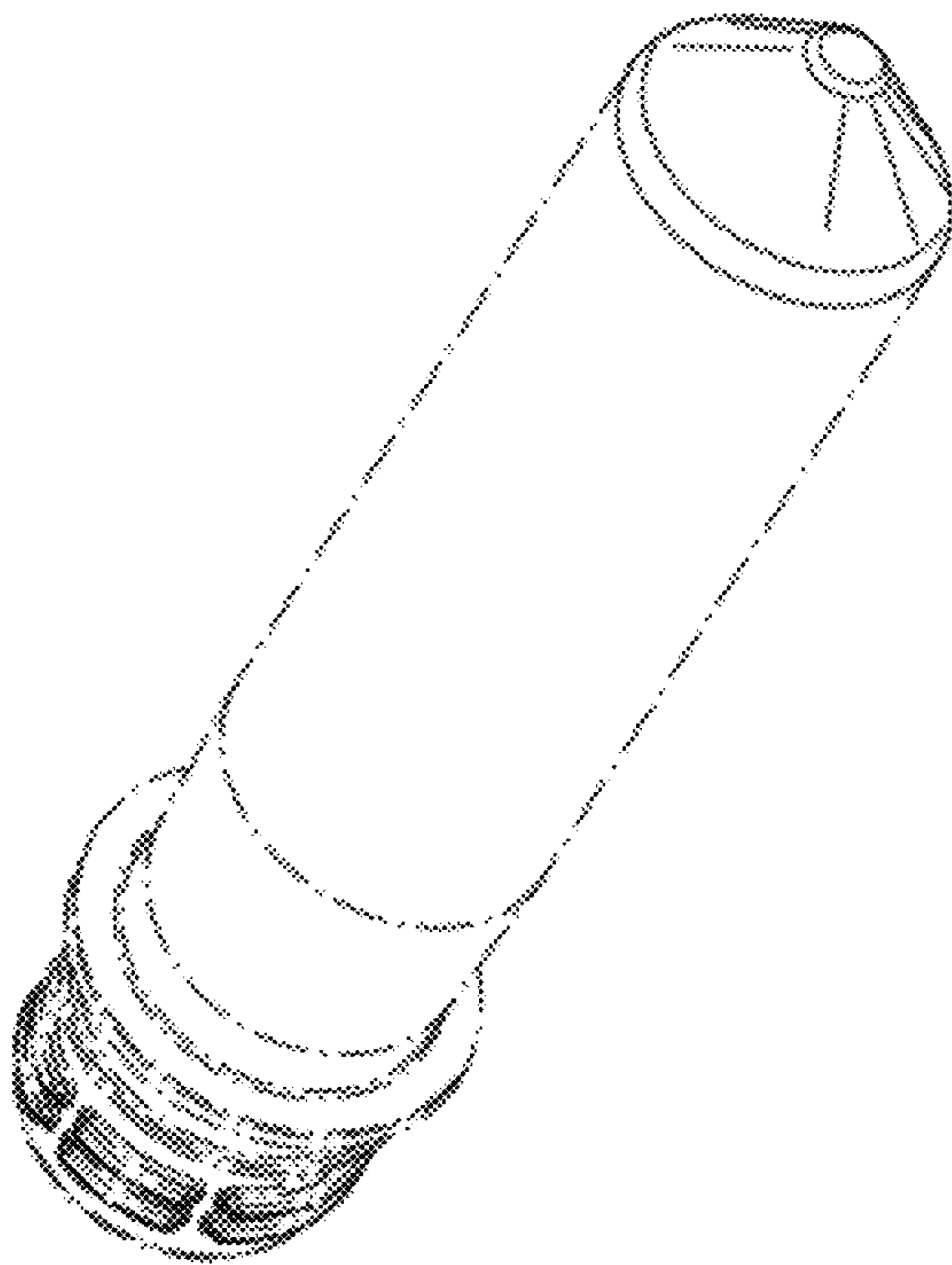
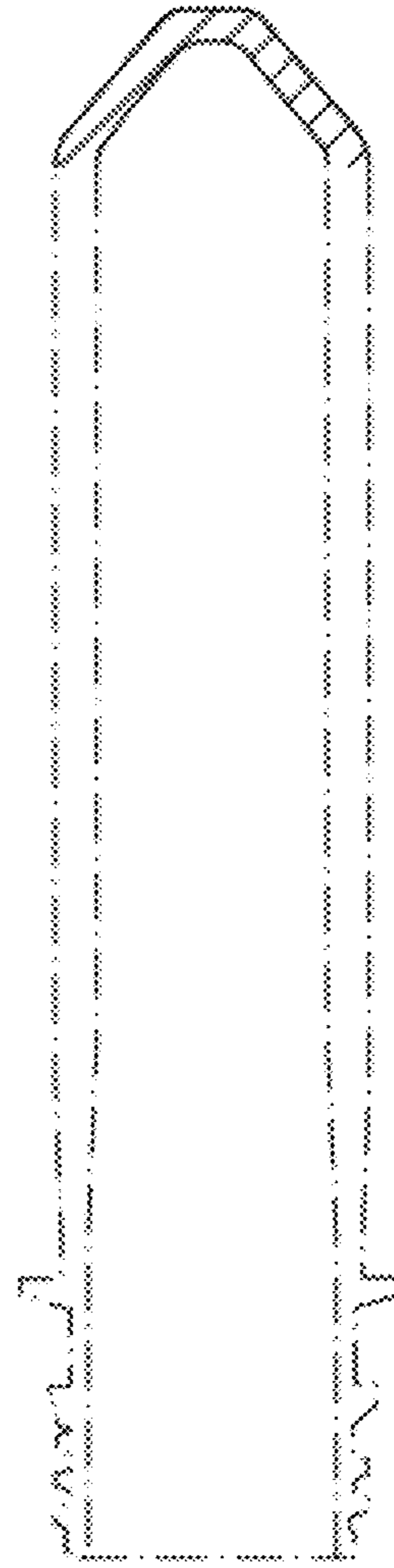


FIG. 4



**FIG. 5**



**FIG. 6**

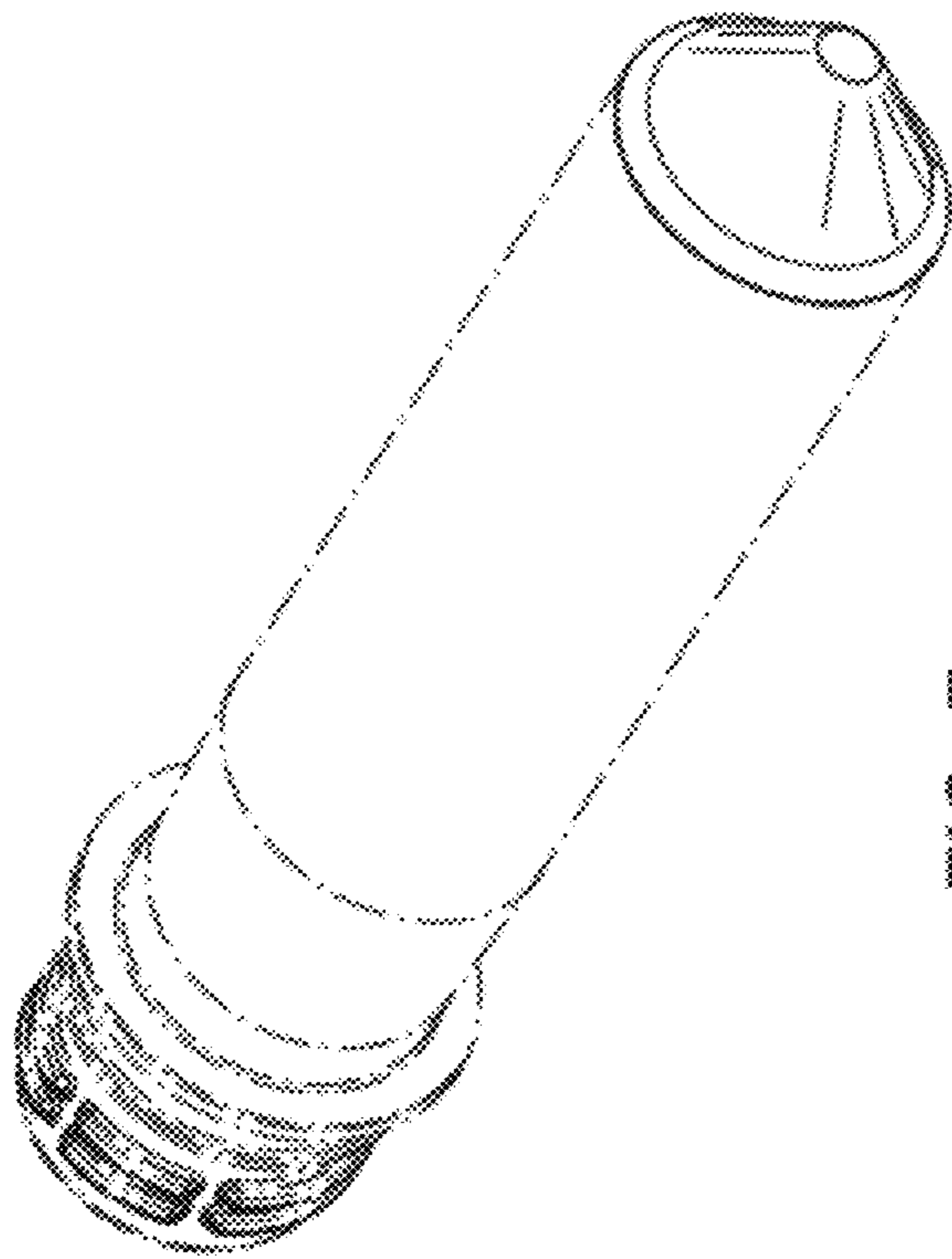


FIG. 7

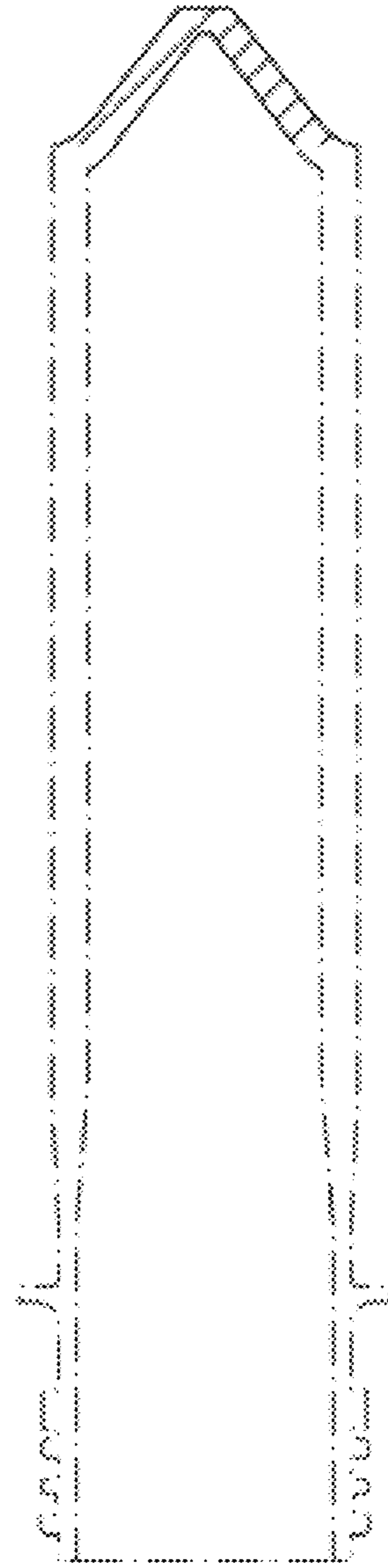


FIG. 8

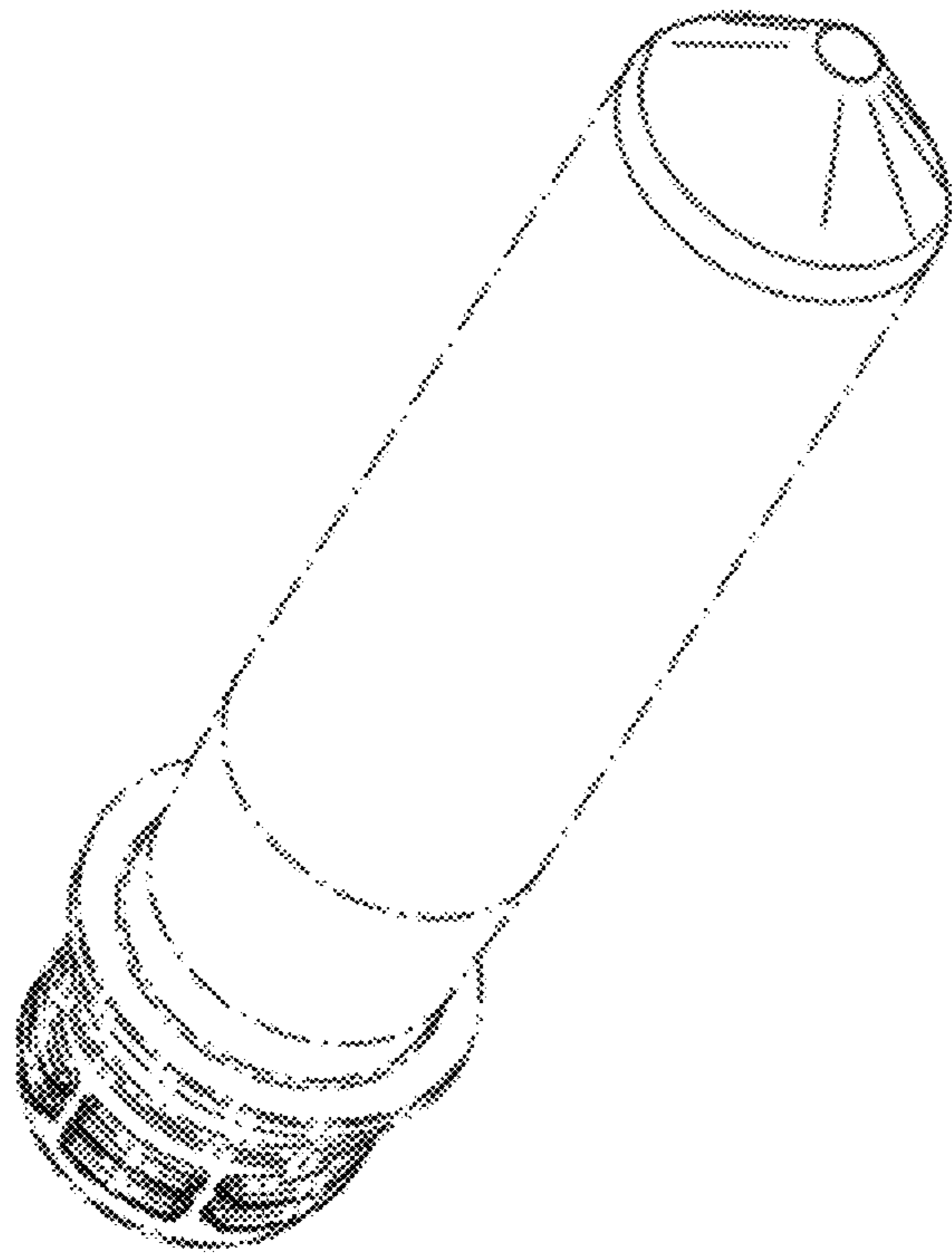


FIG. 9

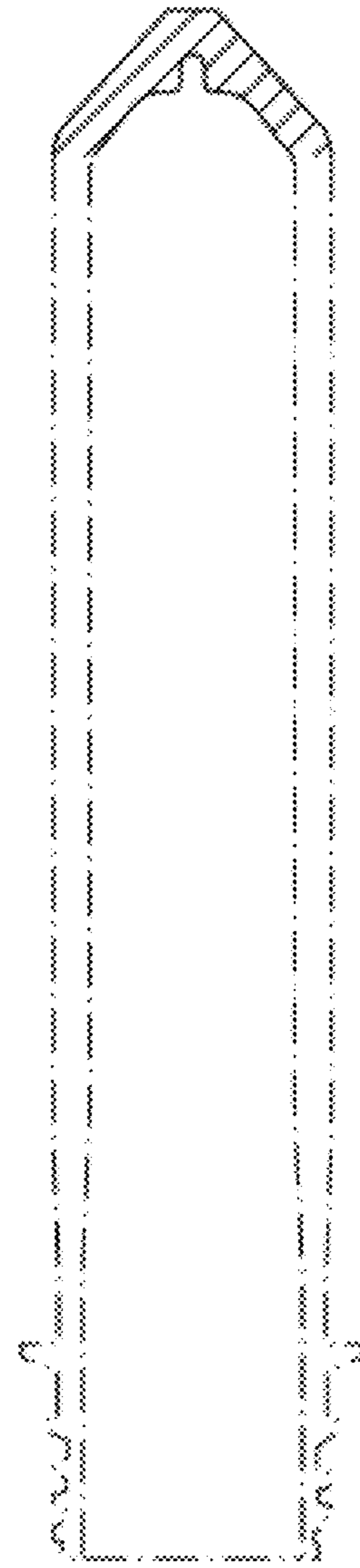


FIG. 10