



US00D664164S

(12) **United States Design Patent**
Wohrle

(10) **Patent No.:** **US D664,164 S**

(45) **Date of Patent:** **** Jul. 24, 2012**

(54) **SEWING MACHINE**

(76) Inventor: **Nikolaus Wohrle**, Antioch, TN (US)

(**) Term: **14 Years**

(21) Appl. No.: **29/413,475**

(22) Filed: **Feb. 16, 2012**

Related U.S. Application Data

(63) Continuation of application No. 29/402,098, filed on Sep. 21, 2011.

(51) **LOC (9) Cl.** **15-06**

(52) **U.S. Cl.** **D15/78**

(58) **Field of Classification Search** D15/66-76,
D15/78; 112/2, 78, 114, 154, 157, 475.01,
112/217.1-217.4, 255-261, 184, 228
See application file for complete search history.

(56) **References Cited**

U.S. PATENT DOCUMENTS

D89,114 S * 1/1933 Peets D15/69
2,557,844 A * 6/1951 Schmitt D15/69
D178,145 S * 6/1956 Morse D15/69

D183,428 S * 8/1958 Park D15/69
3,098,459 A * 7/1963 Bono D15/69
D244,399 S * 5/1977 Chiu D15/69
D442,608 S * 5/2001 Ito D15/69
D516,589 S * 3/2006 Katsuyama et al. D15/69
D556,220 S * 11/2007 Friedrich D15/69

* cited by examiner

Primary Examiner — Mitchell Siegel

(74) *Attorney, Agent, or Firm* — E J Asbury III, LLC

(57) **CLAIM**

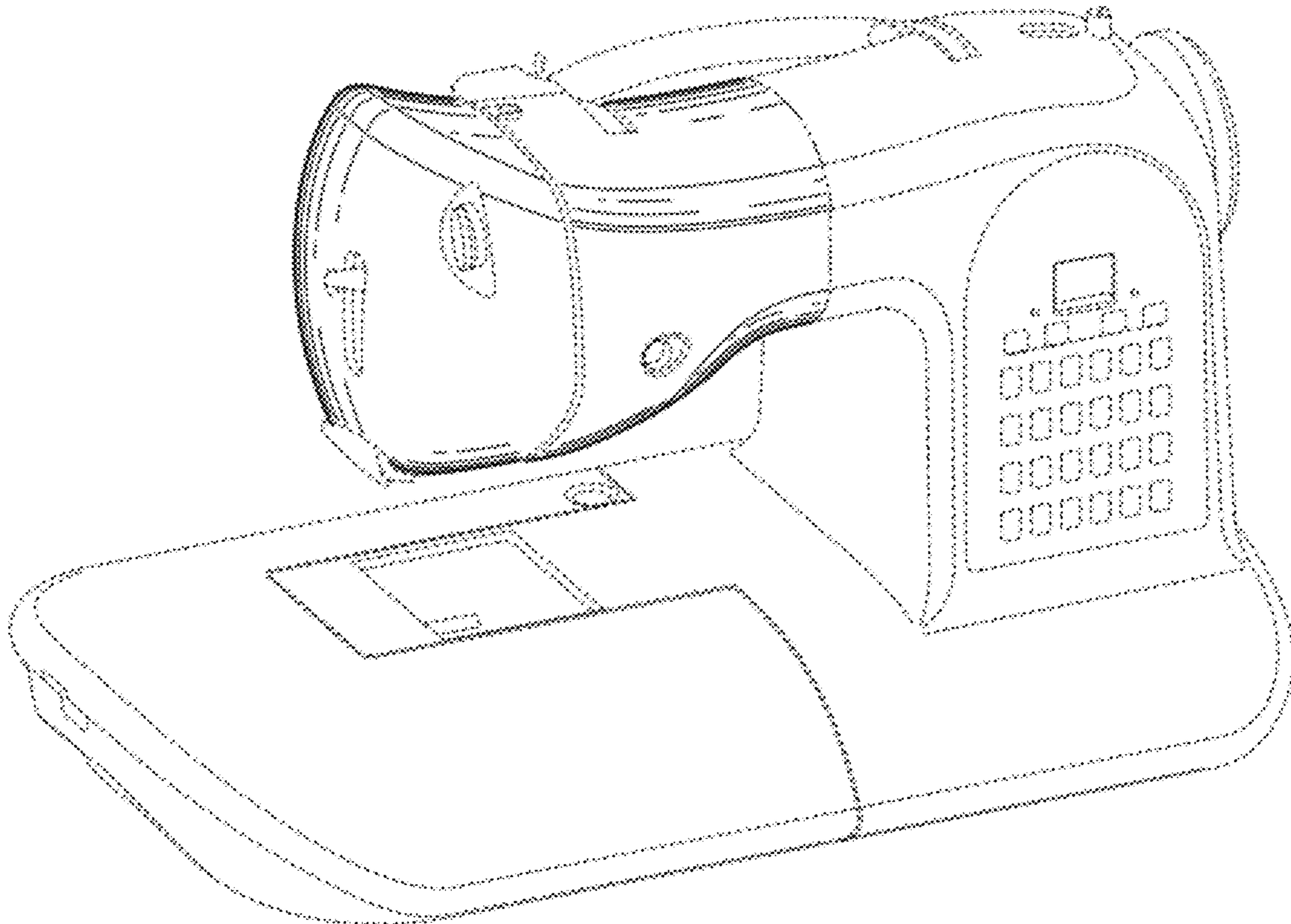
The ornamental design for a sewing machine, as shown.

DESCRIPTION

FIG. 1 is a side perspective view of the sewing machine;
FIG. 2 is an opposing side perspective view thereof;
FIG. 3 is a front view thereof;
FIG. 4 is a right side view thereof;
FIG. 5 is a left side view thereof;
FIG. 6 is a back view thereof;
FIG. 7 is a top view thereof; and,
FIG. 8 is a bottom view thereof.

The broken lines shown in FIGS. 1-8 show environmental structure and form no part of the claimed design.

1 Claim, 6 Drawing Sheets



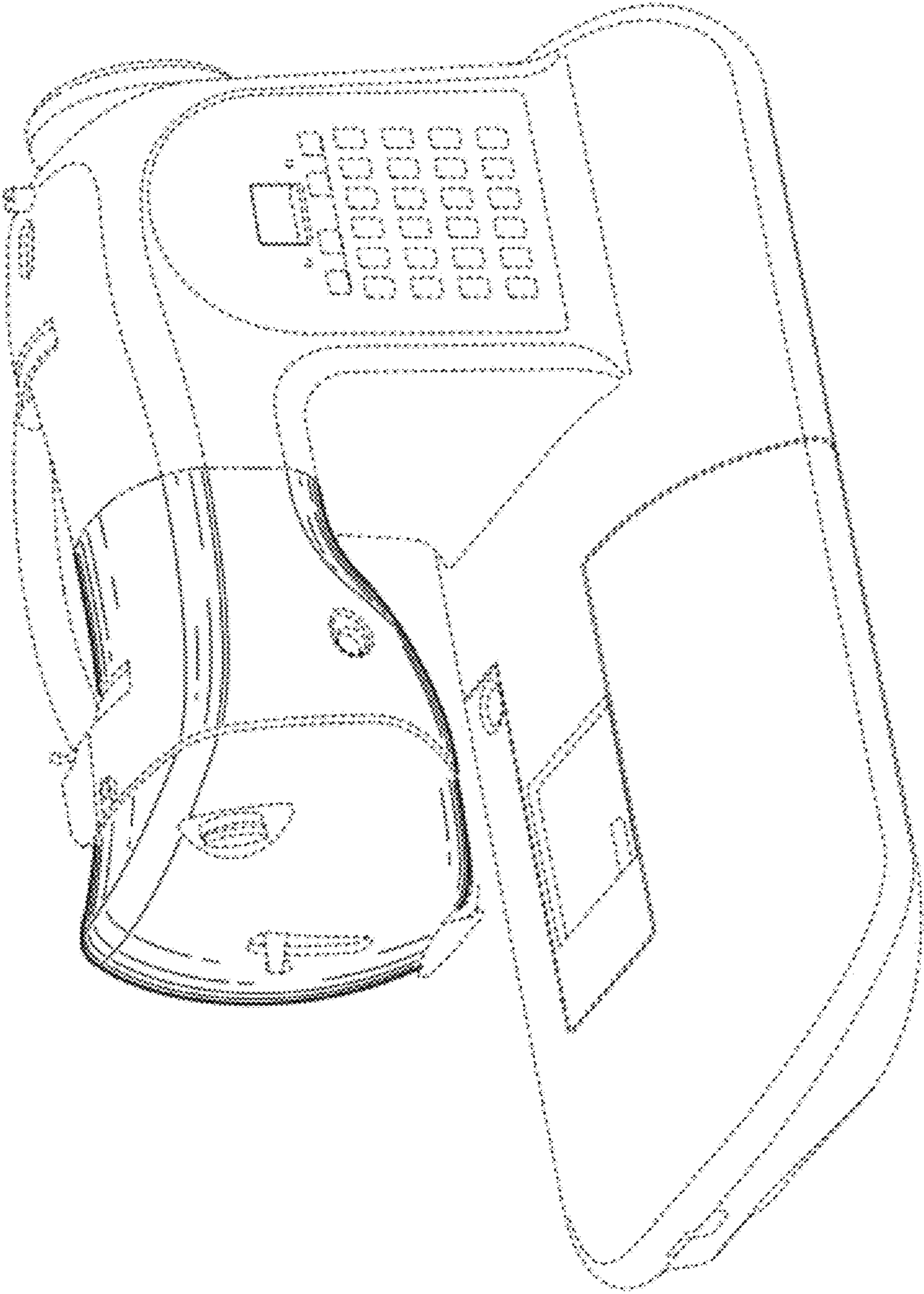


FIG. 1

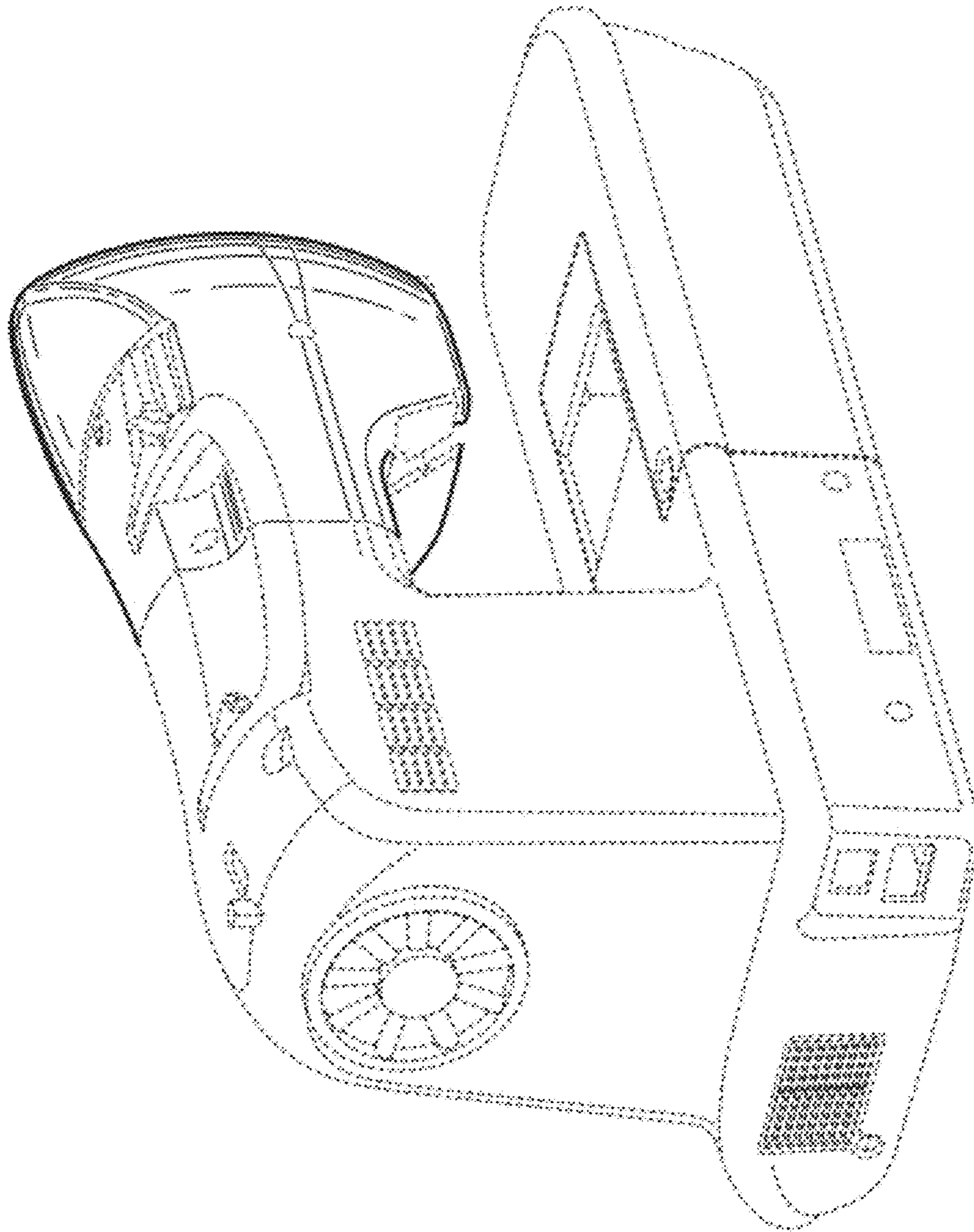


FIG. 2

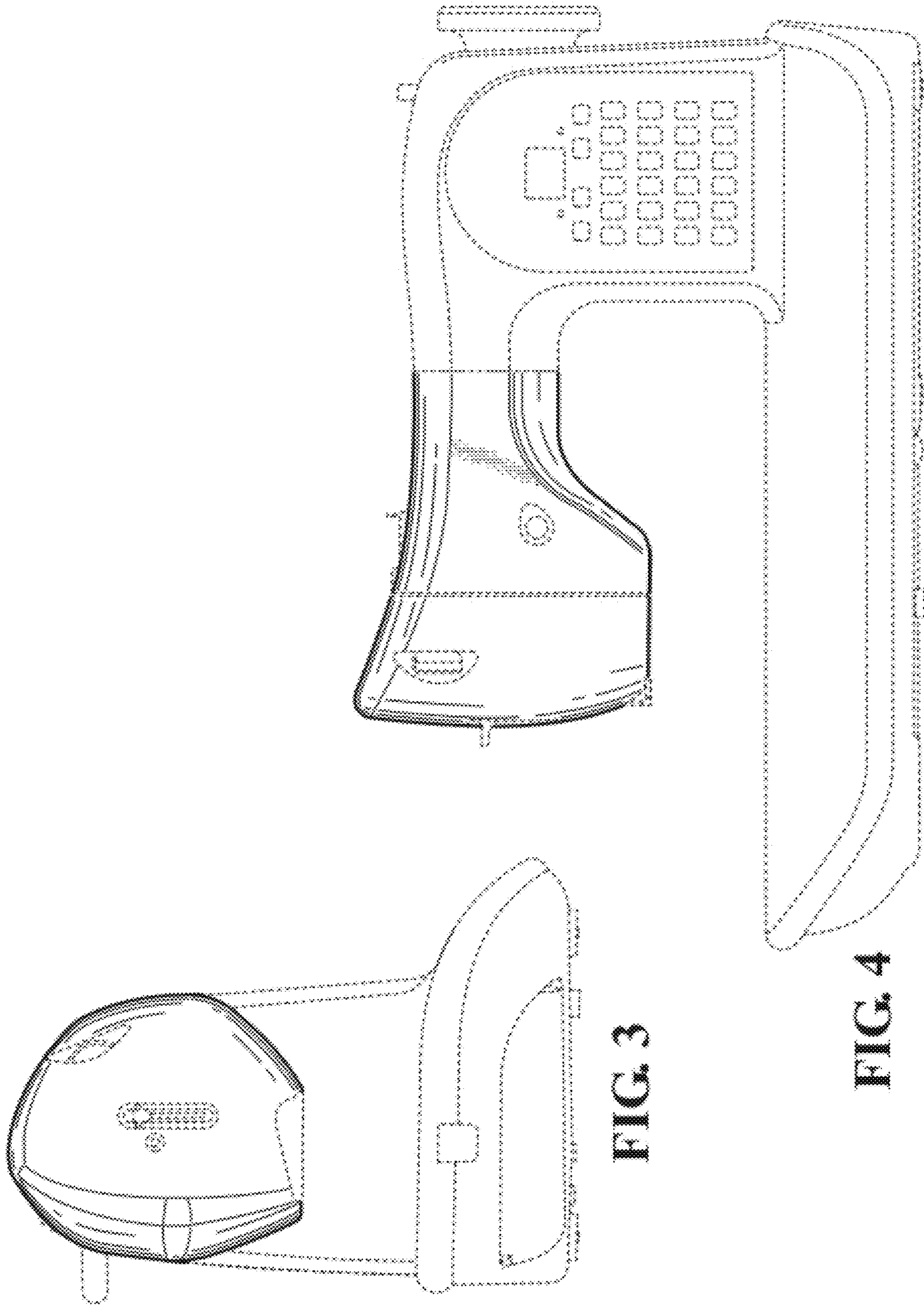


FIG. 3

FIG. 4

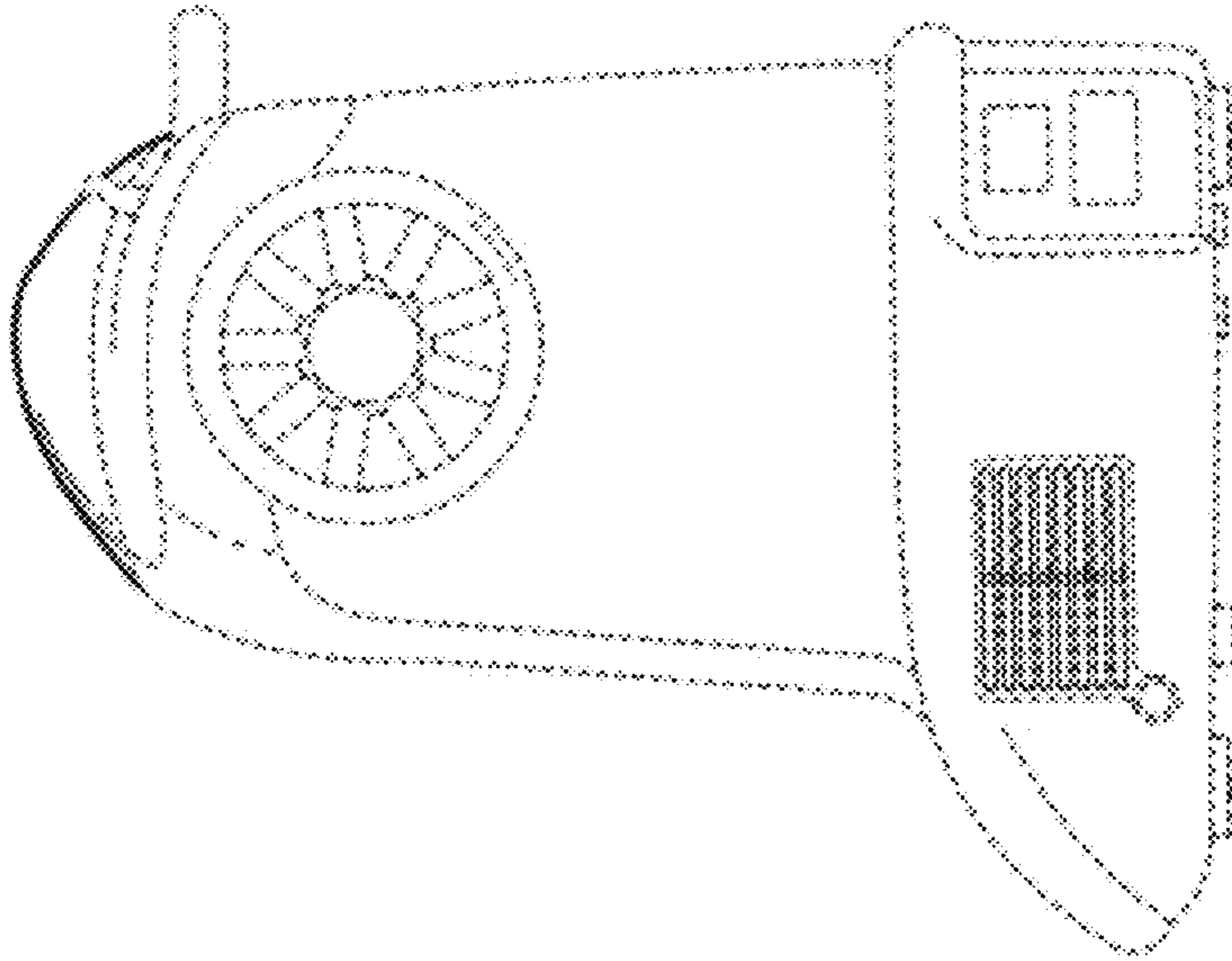


FIG. 6

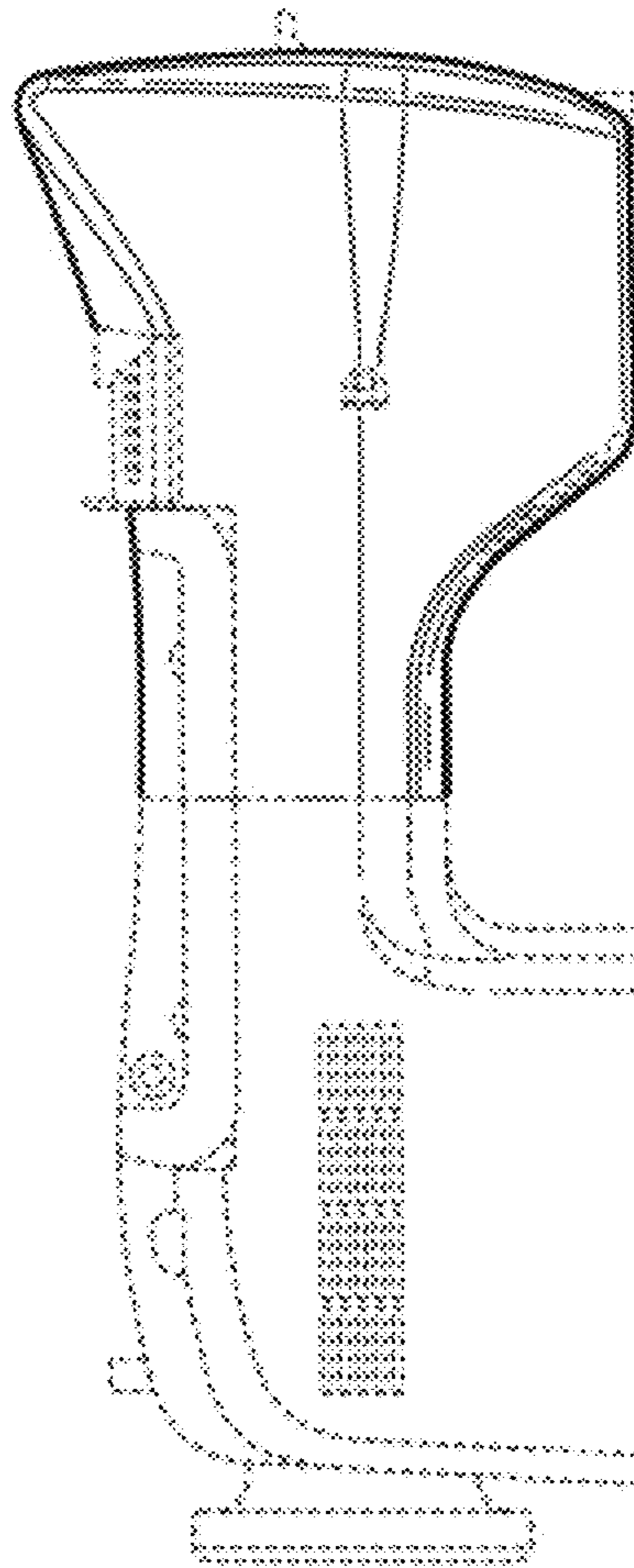


FIG. 5

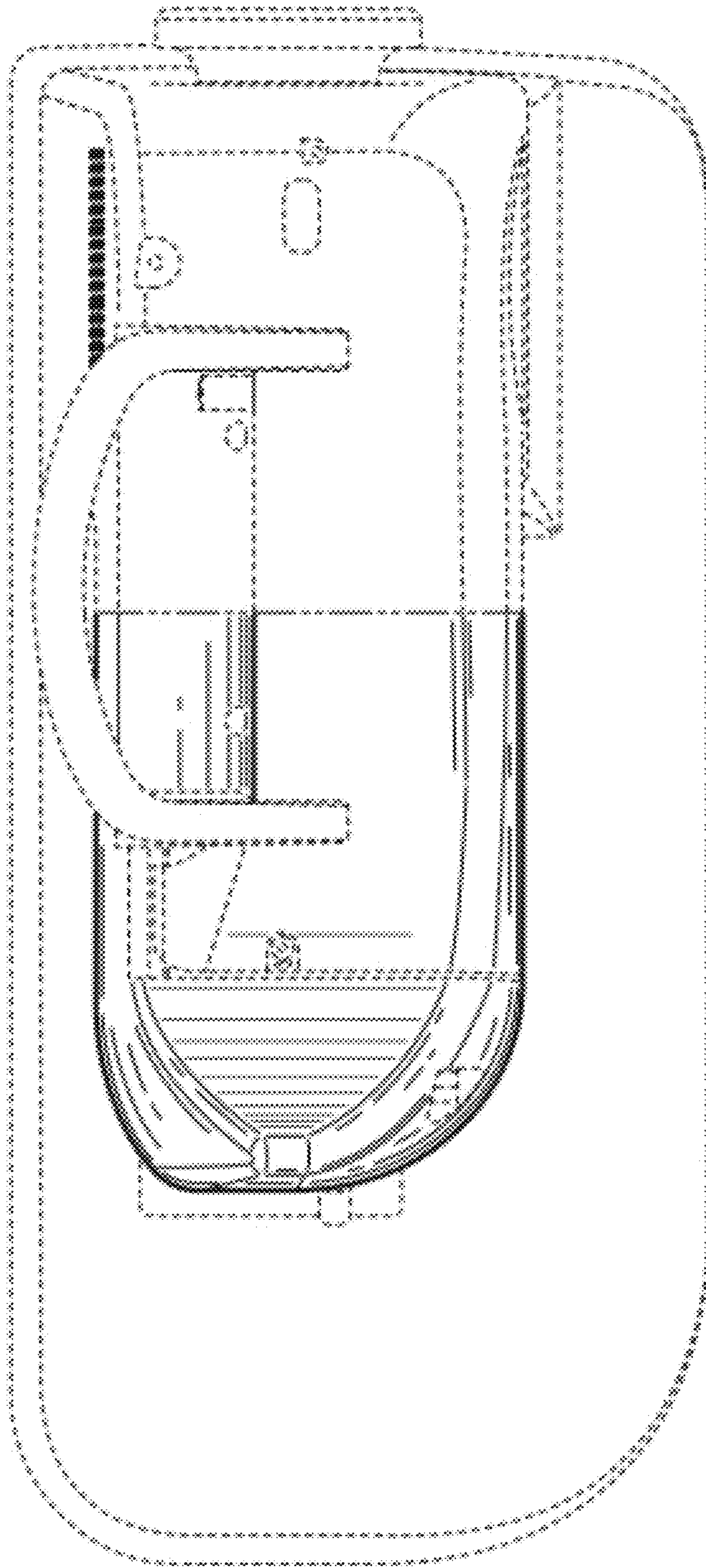


FIG. 7

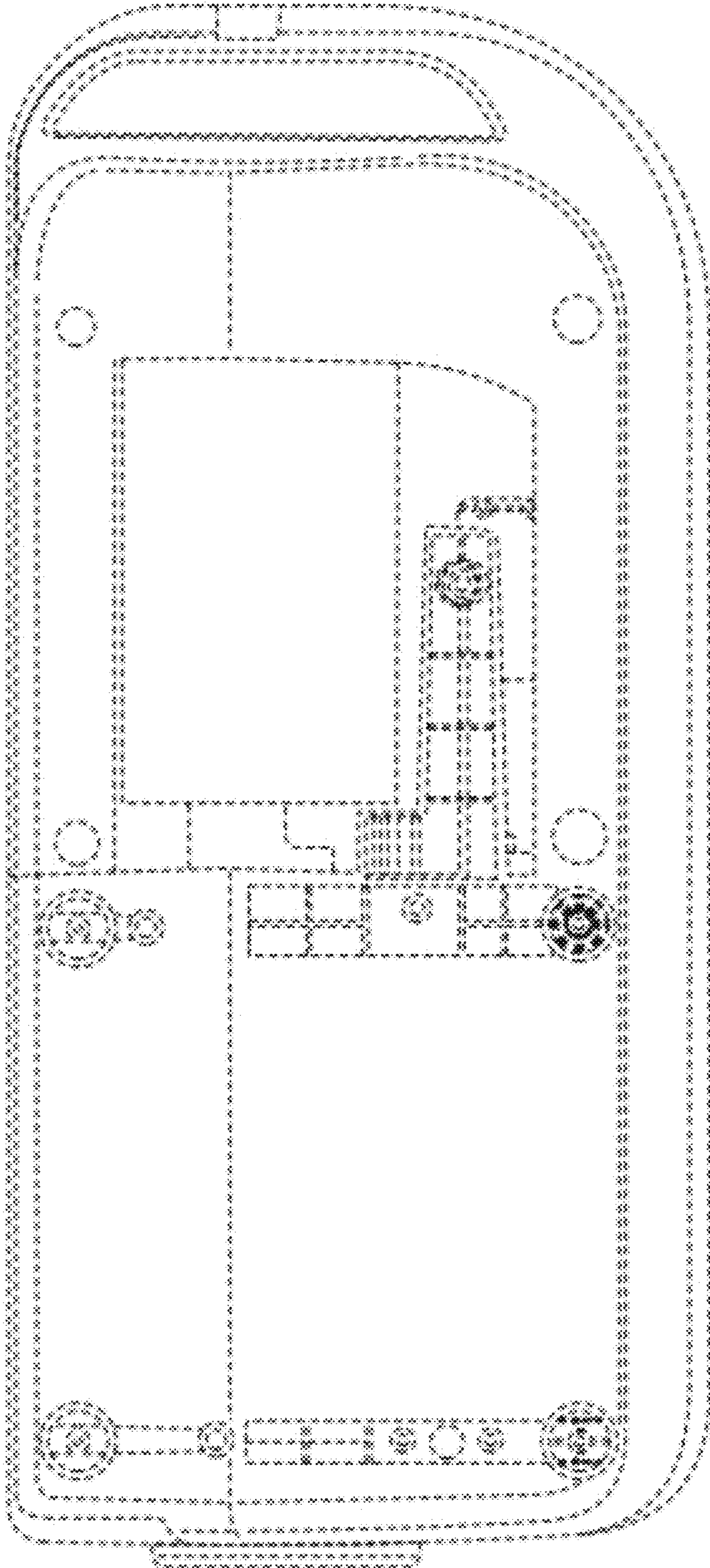


FIG. 8