



US00D664163S

(12) **United States Design Patent**
Wohrle

(10) **Patent No.:** **US D664,163 S**

(45) **Date of Patent:** **** Jul. 24, 2012**

(54) **SEWING MACHINE**

(76) Inventor: **Nikolaus Wohrle**, Antioch, TN (US)

(**) Term: **14 Years**

(21) Appl. No.: **29/402,098**

(22) Filed: **Sep. 21, 2011**

(51) **LOC (9) Cl.** **15-06**

(52) **U.S. Cl.** **D15/69**

(58) **Field of Classification Search** D15/66-76;
112/2, 78, 114, 154, 157, 475.01, 217.1-217.4,
112/255-261, 184, 228

See application file for complete search history.

(56) **References Cited**

U.S. PATENT DOCUMENTS

| | | | |
|---------------|--------|---------------|--------|
| D89,114 S * | 1/1933 | Peets | D15/69 |
| 2,557,844 A * | 6/1951 | Schmitt | D15/69 |
| D178,145 S * | 6/1956 | Morse | D15/69 |
| D183,428 S * | 8/1958 | Park | D15/69 |
| 3,098,459 A * | 7/1963 | Bono | D15/69 |
| D244,399 S * | 5/1977 | Chiu | D15/69 |

| | | | |
|--------------|---------|-----------------------|--------|
| D442,608 S * | 5/2001 | Ito | D15/69 |
| D516,589 S * | 3/2006 | Katsuyama et al. | D15/69 |
| D556,220 S * | 11/2007 | Friedrich | D15/69 |

* cited by examiner

Primary Examiner — Mitchell Siegel

(74) *Attorney, Agent, or Firm* — E J Asbury III, LLC

(57) **CLAIM**

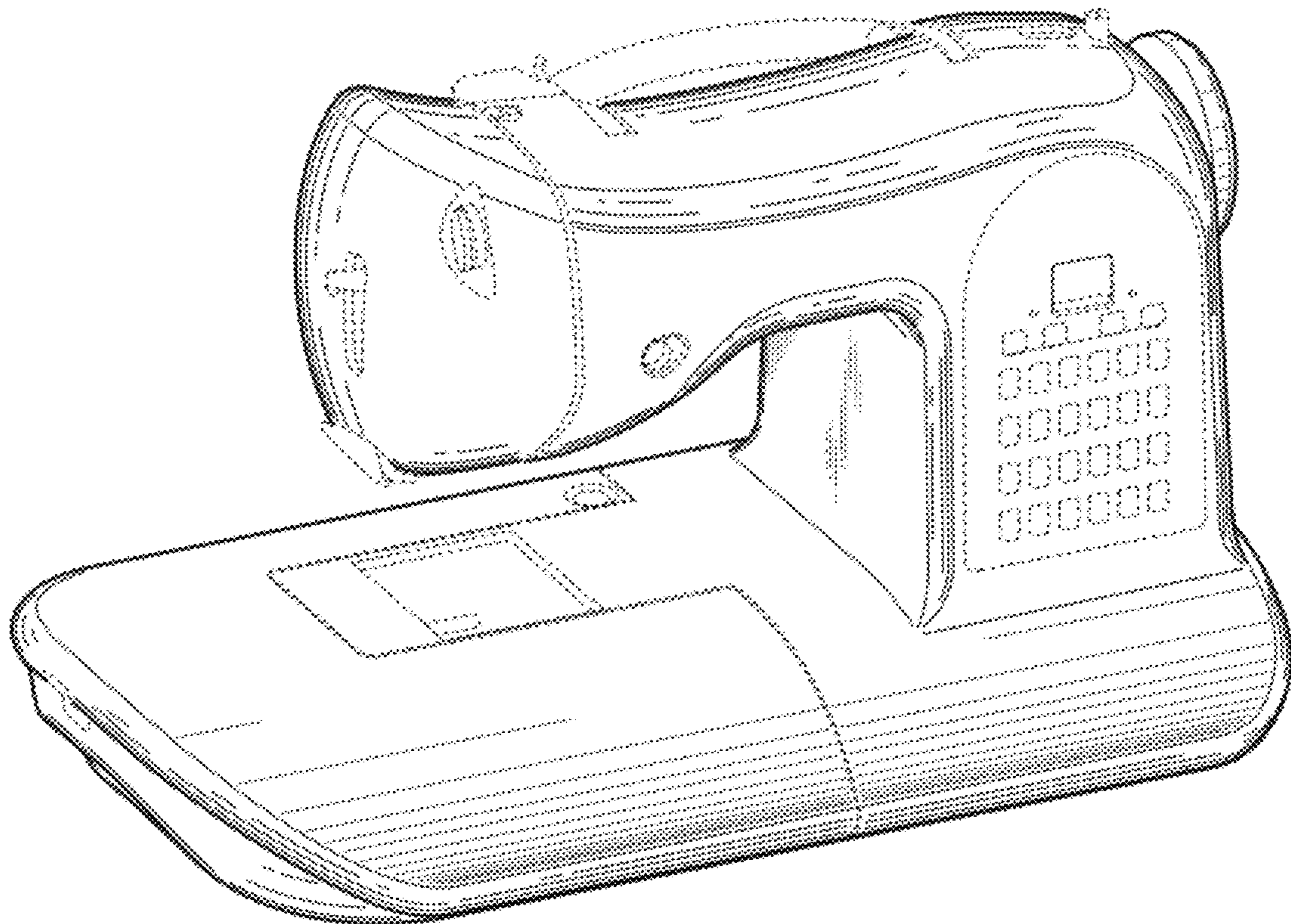
The ornamental design for a sewing machine, as shown.

DESCRIPTION

FIG. 1 is a side perspective view of the sewing machine;
FIG. 2 is an opposing side perspective view thereof;
FIG. 3 is a front view thereof;
FIG. 4 is a right side view thereof;
FIG. 5 is a left side view thereof;
FIG. 6 is a back view thereof;
FIG. 7 is a top view thereof; and,
FIG. 8 is a bottom view thereof.

The broken lines shown in FIGS. 1-8 show environmental structure and form no part of the claimed design.

1 Claim, 6 Drawing Sheets



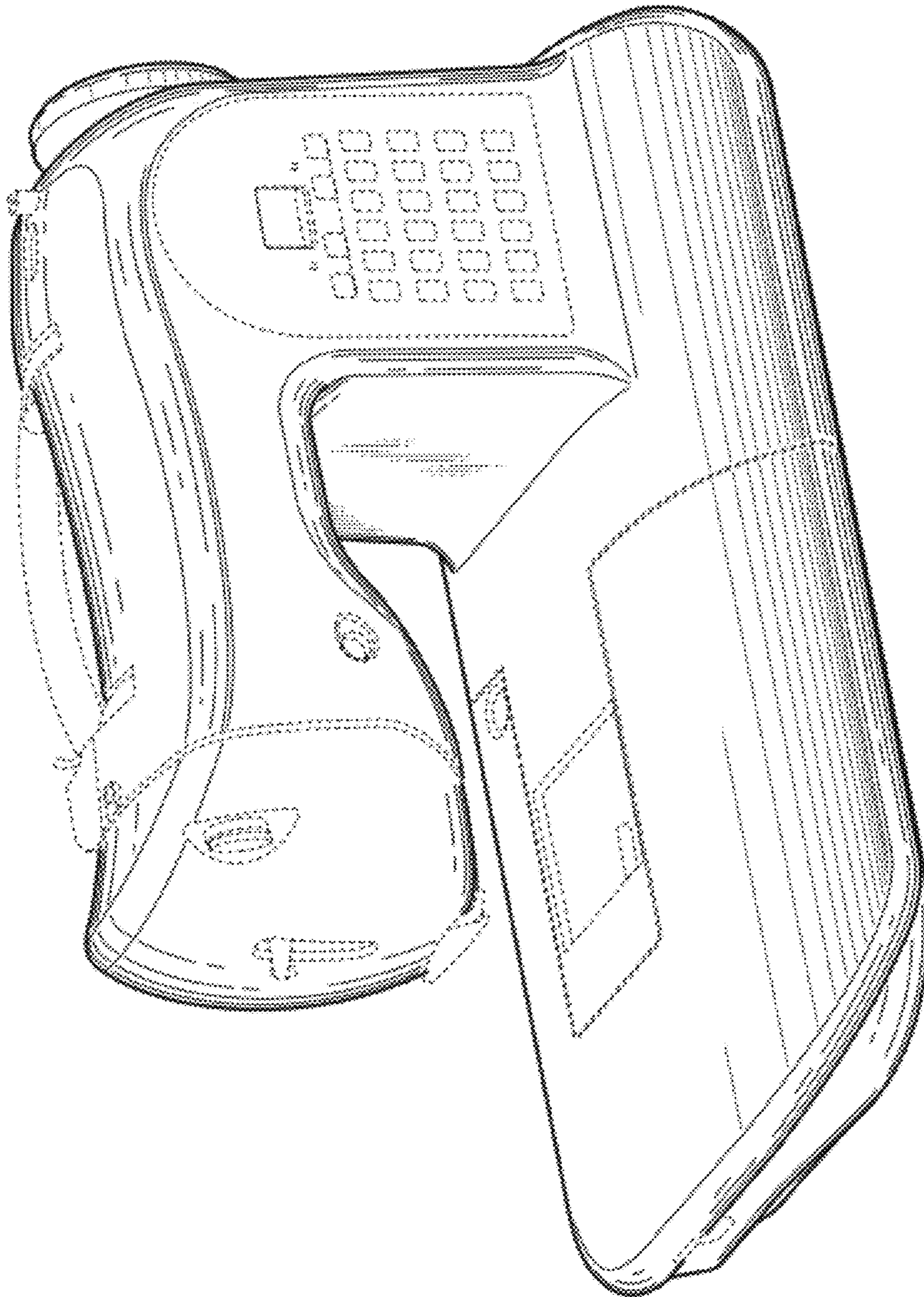


FIG. 1

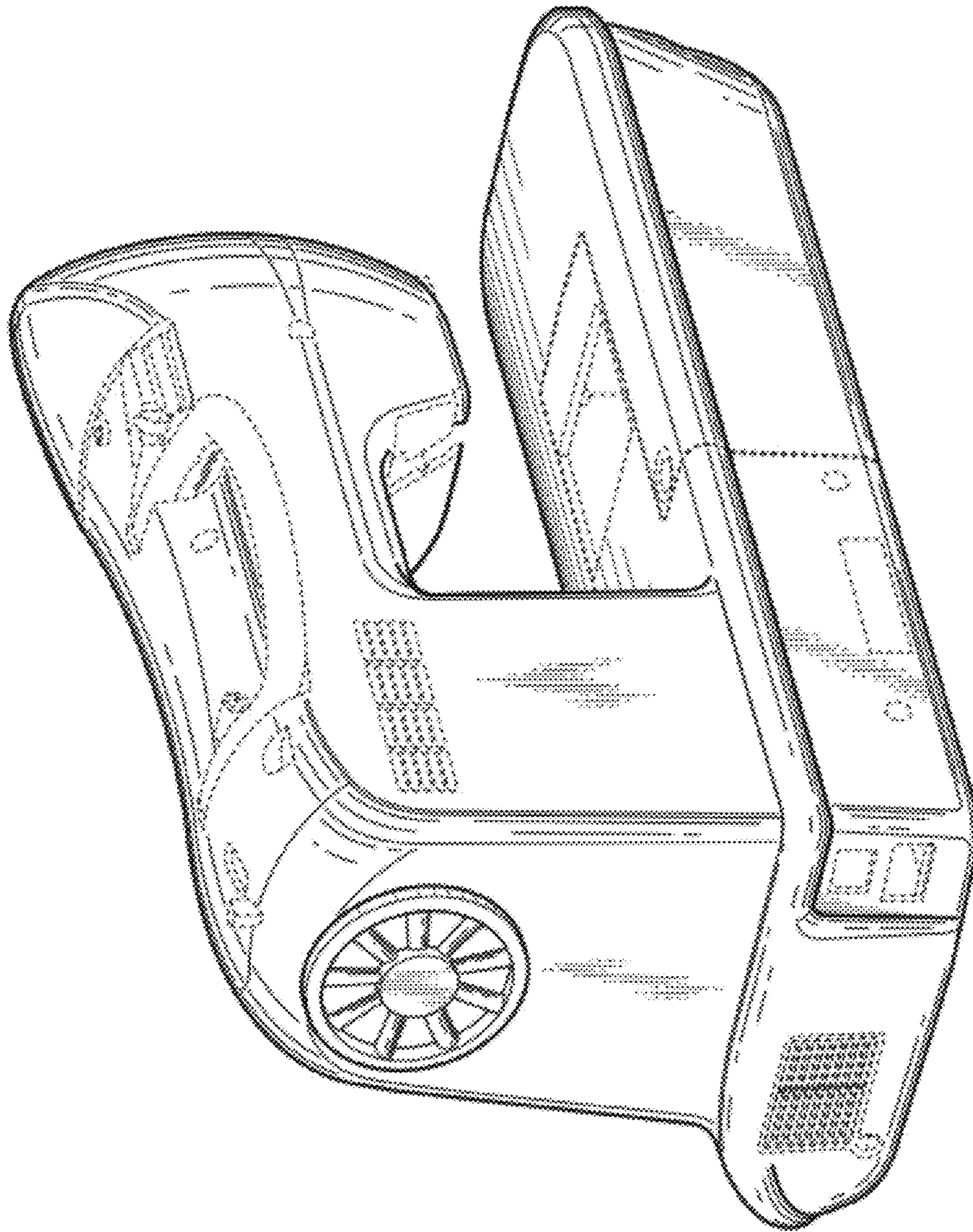


FIG. 2

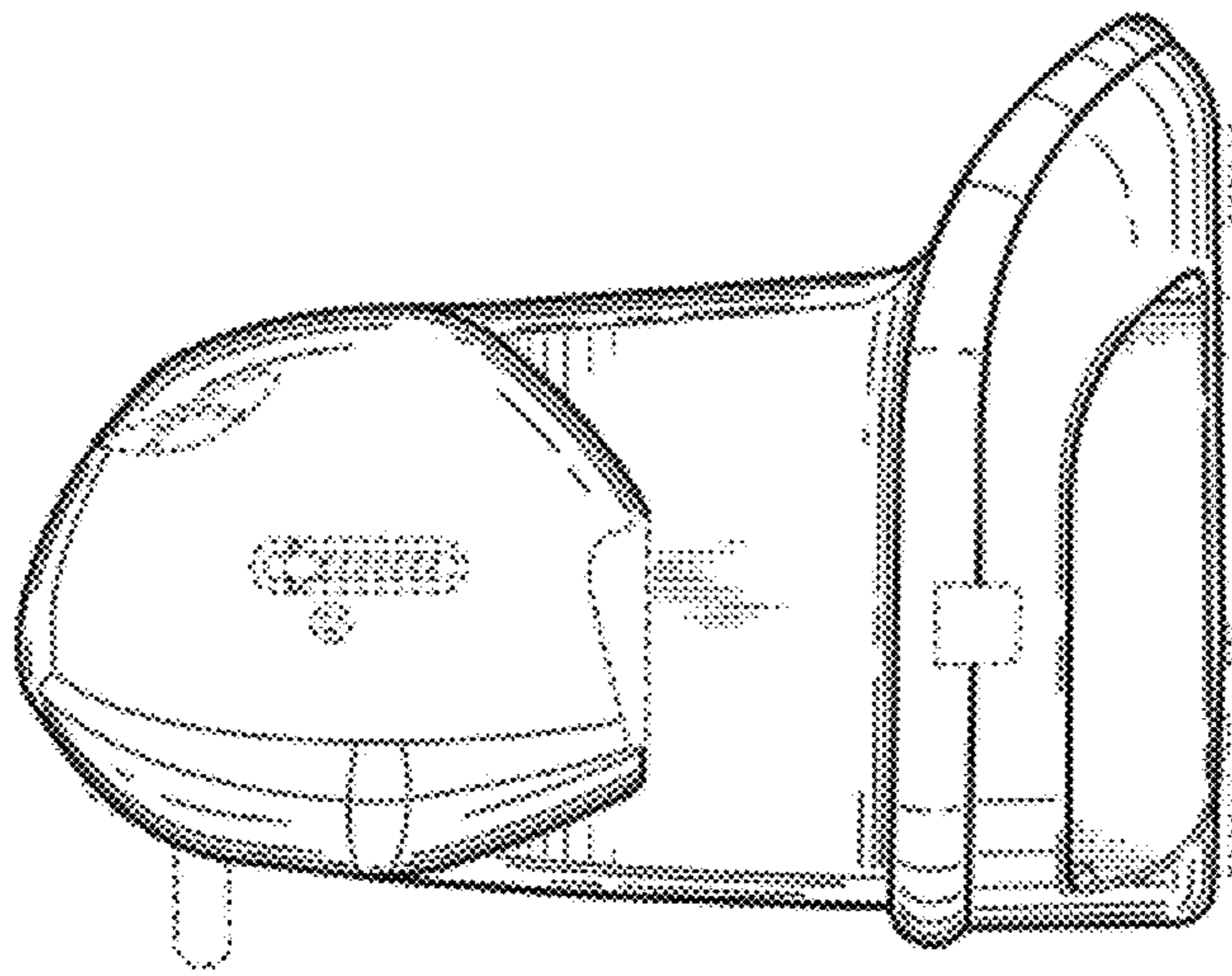


FIG. 3

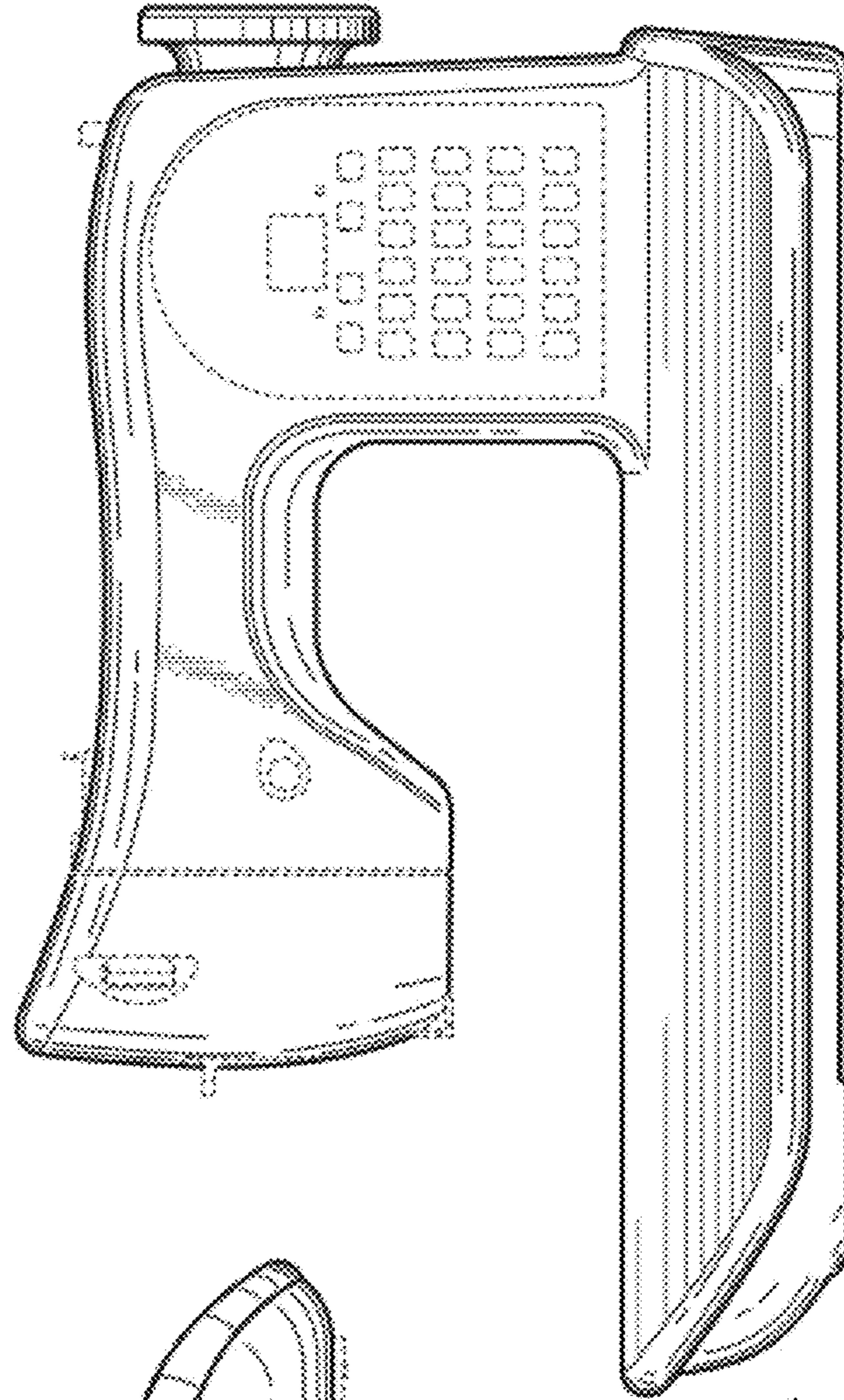


FIG. 4

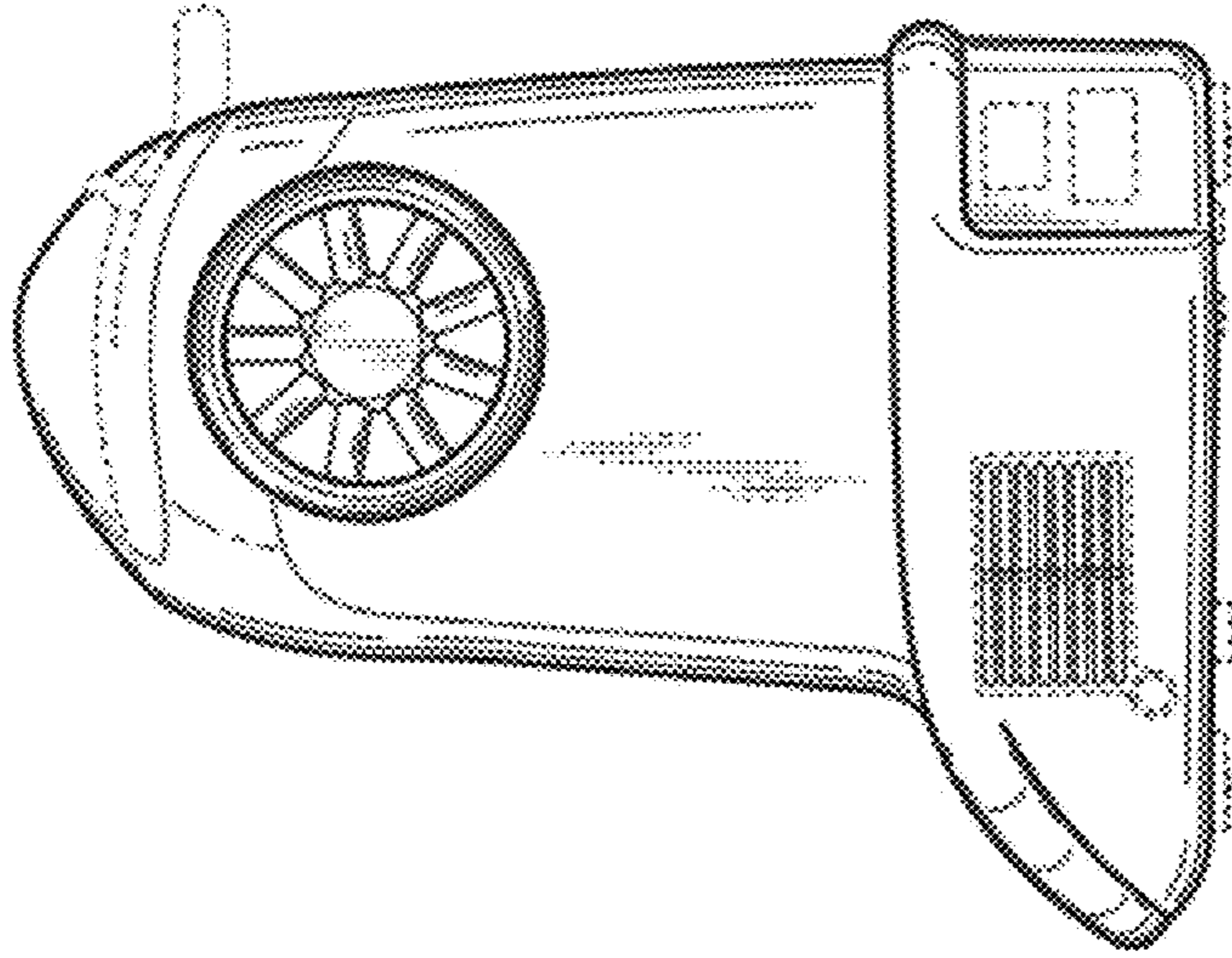


FIG. 6

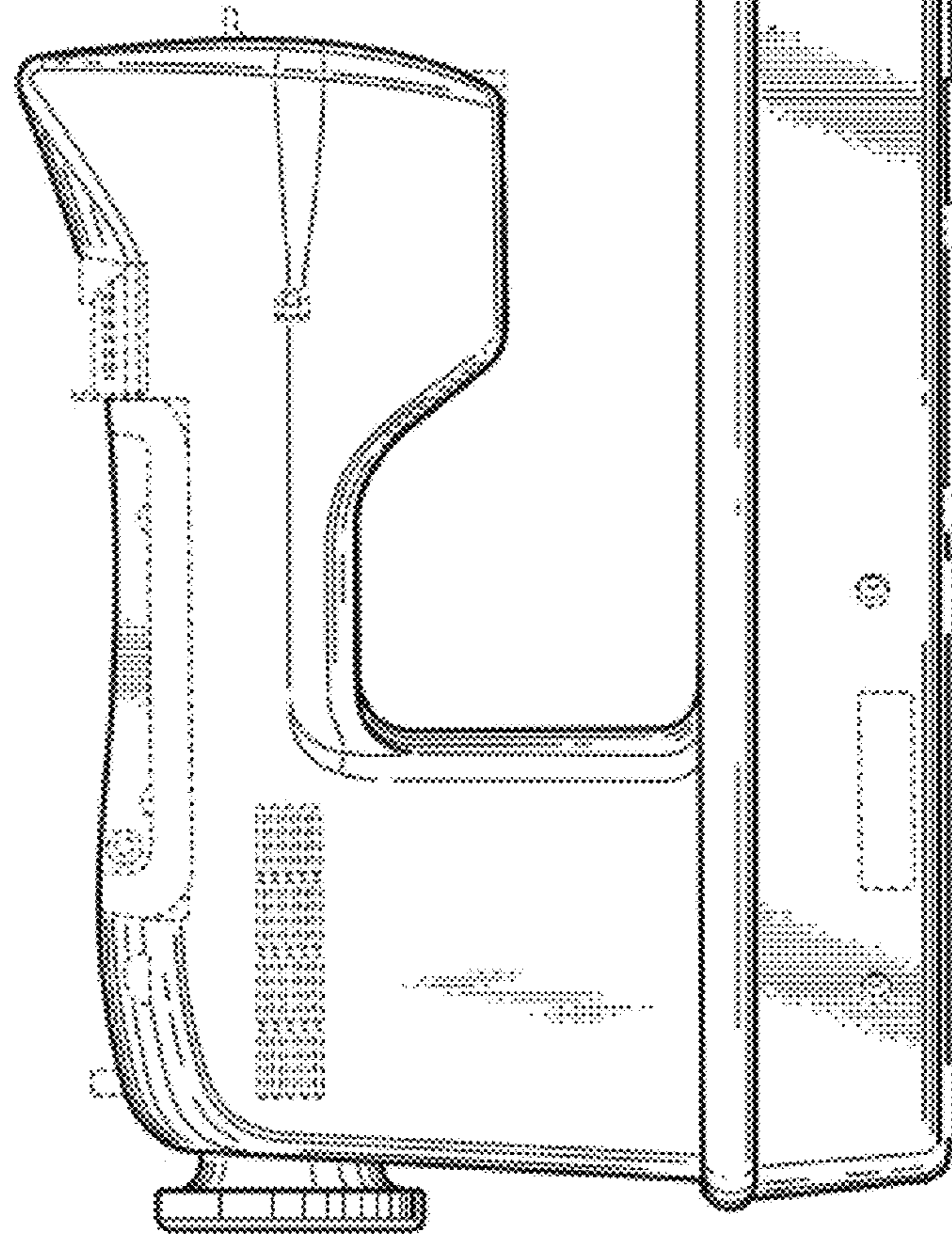


FIG. 5

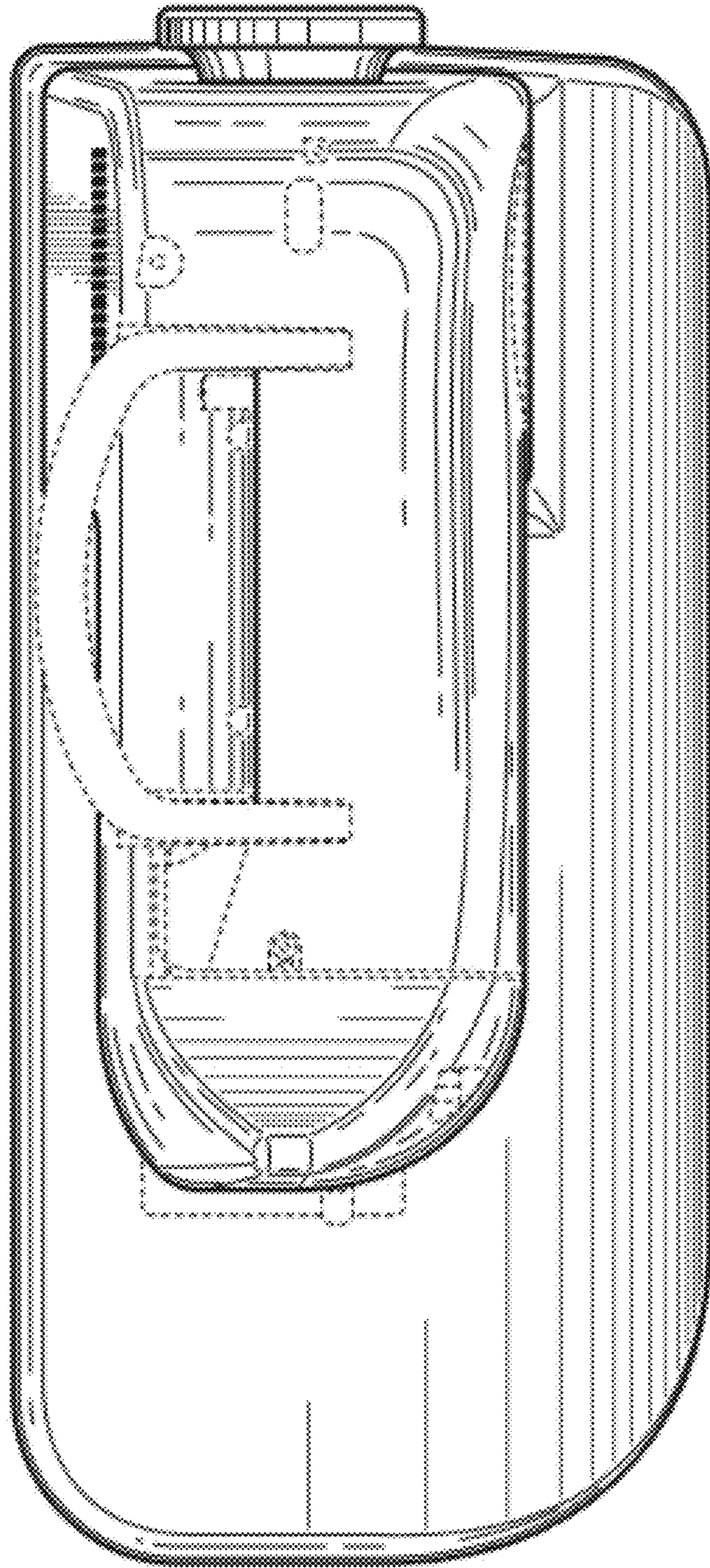


FIG. 7

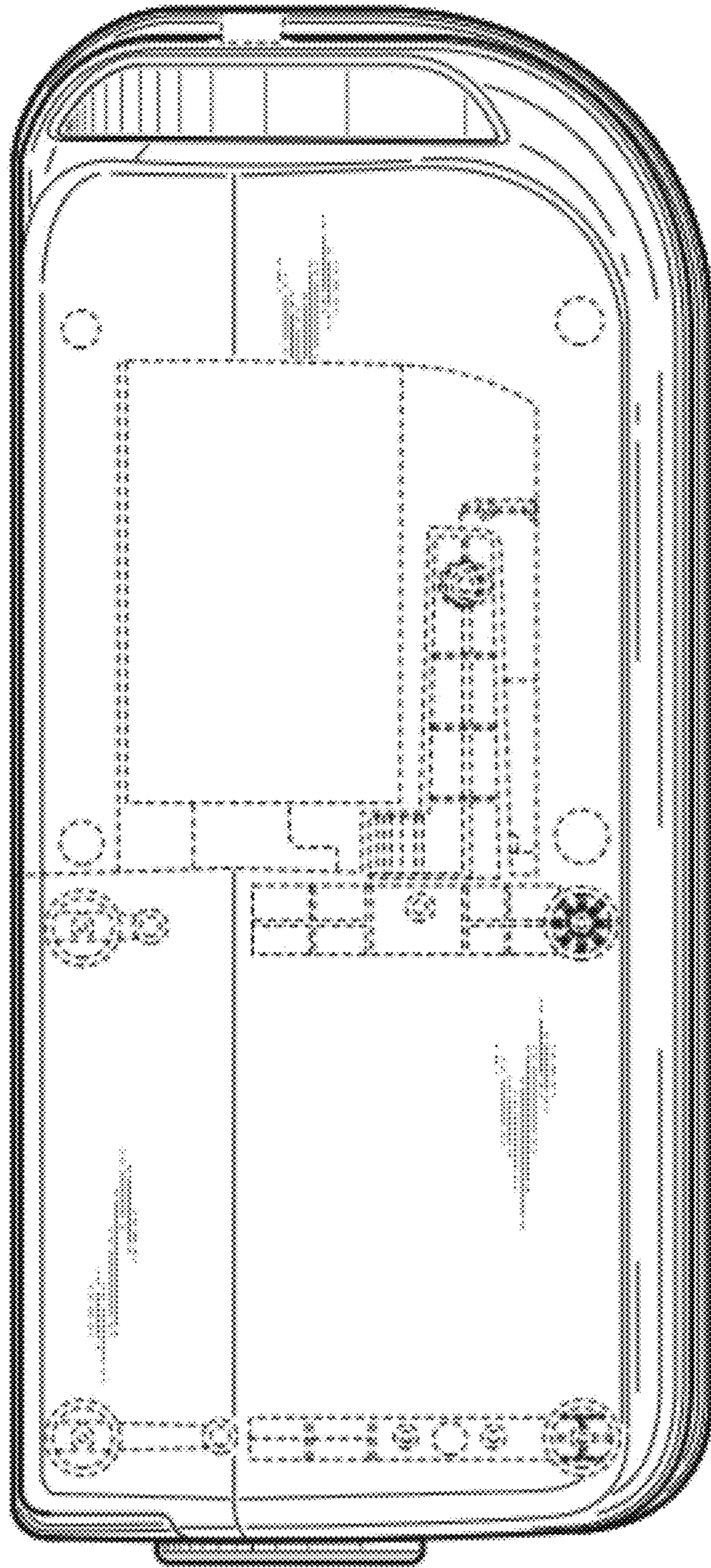


FIG. 8