



US00D664157S

(12) **United States Design Patent**
Liu

(10) **Patent No.:** **US D664,157 S**
(45) **Date of Patent:** **** Jul. 24, 2012**

(54) **AQUA CUBE**

(75) Inventor: **Shuangan Liu**, Baolong Industrial (CN)

(73) Assignee: **Shenzhen Xingrisheng Industrial Co., Ltd.**, Shenzhen (CN)

(**) Term: **14 Years**

(21) Appl. No.: **29/409,578**

(22) Filed: **Dec. 26, 2011**

(30) **Foreign Application Priority Data**

Jul. 22, 2011 (CN) 2011 3 0236288

(51) **LOC (9) Cl.** **15-02**

(52) **U.S. Cl.** **D15/7**

(58) **Field of Classification Search** D15/7-9;
D23/231, 232, 225; 417/60, 235, 265, 321,
417/355, 358, 363, 359, 410.1, 415-416,
417/405, 900; 60/408, 412; 184/26-37;
415/140-147; 123/495, 509

See application file for complete search history.

(56) **References Cited**

U.S. PATENT DOCUMENTS

D607,014 S * 12/2009 Stimpson et al. D15/7

D608,796 S * 1/2010 Miller et al. D15/7

* cited by examiner

Primary Examiner — Ralf Seifert

(57) **CLAIM**

The ornamental design for aqua cube in appearance and pattern, as shown and described in the drawings.

DESCRIPTION

FIG. 1 is a perspective view of aqua cube showing my new design;

FIG. 2 is another perspective view;

FIG. 3 is a front plan view;

FIG. 4 is a back plan view;

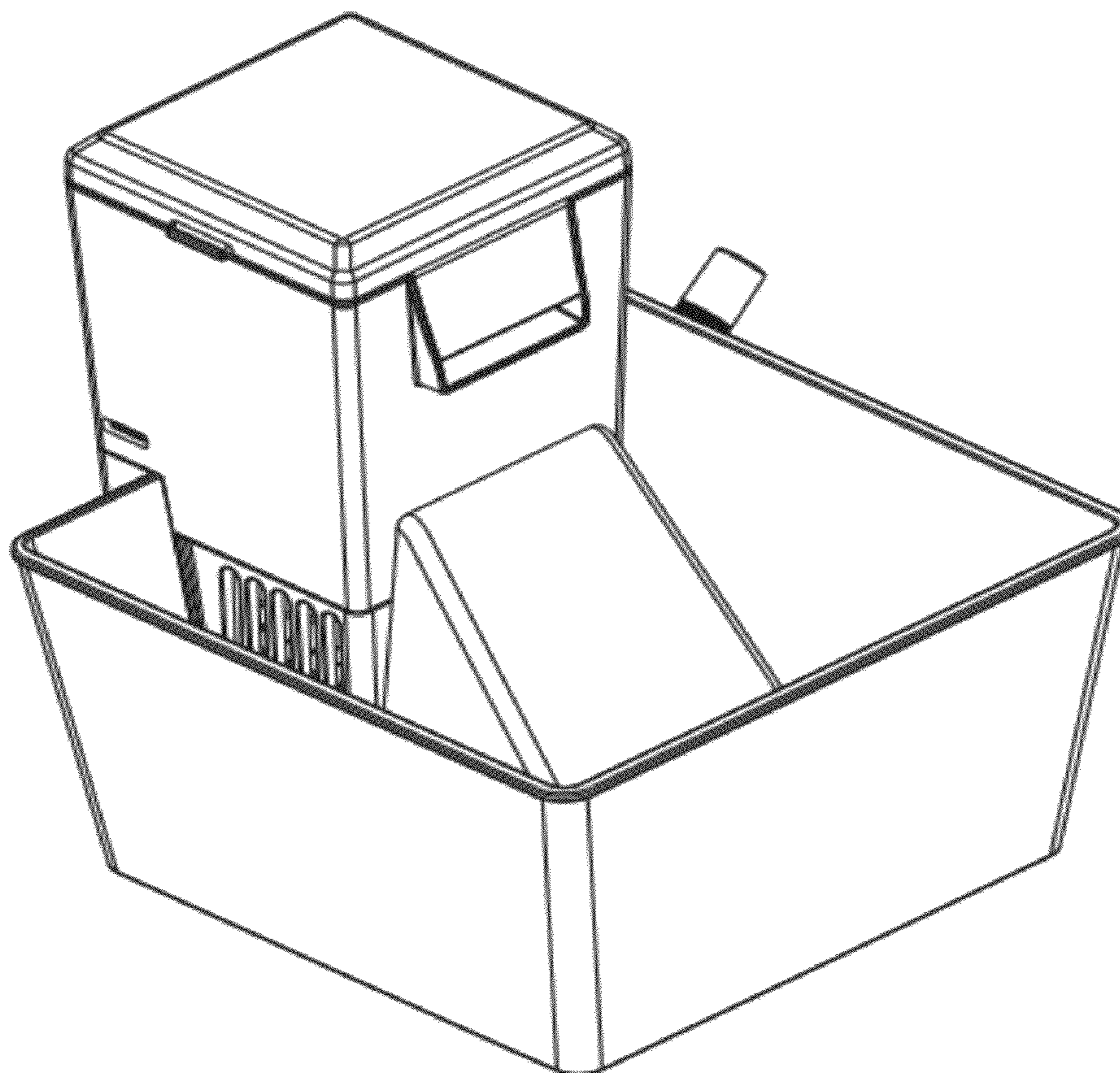
FIG. 5 is a left plan view;

FIG. 6 is a right plan view;

FIG. 7 is a downward plan view; and,

FIG. 8 is an upward plan view.

1 Claim, 4 Drawing Sheets



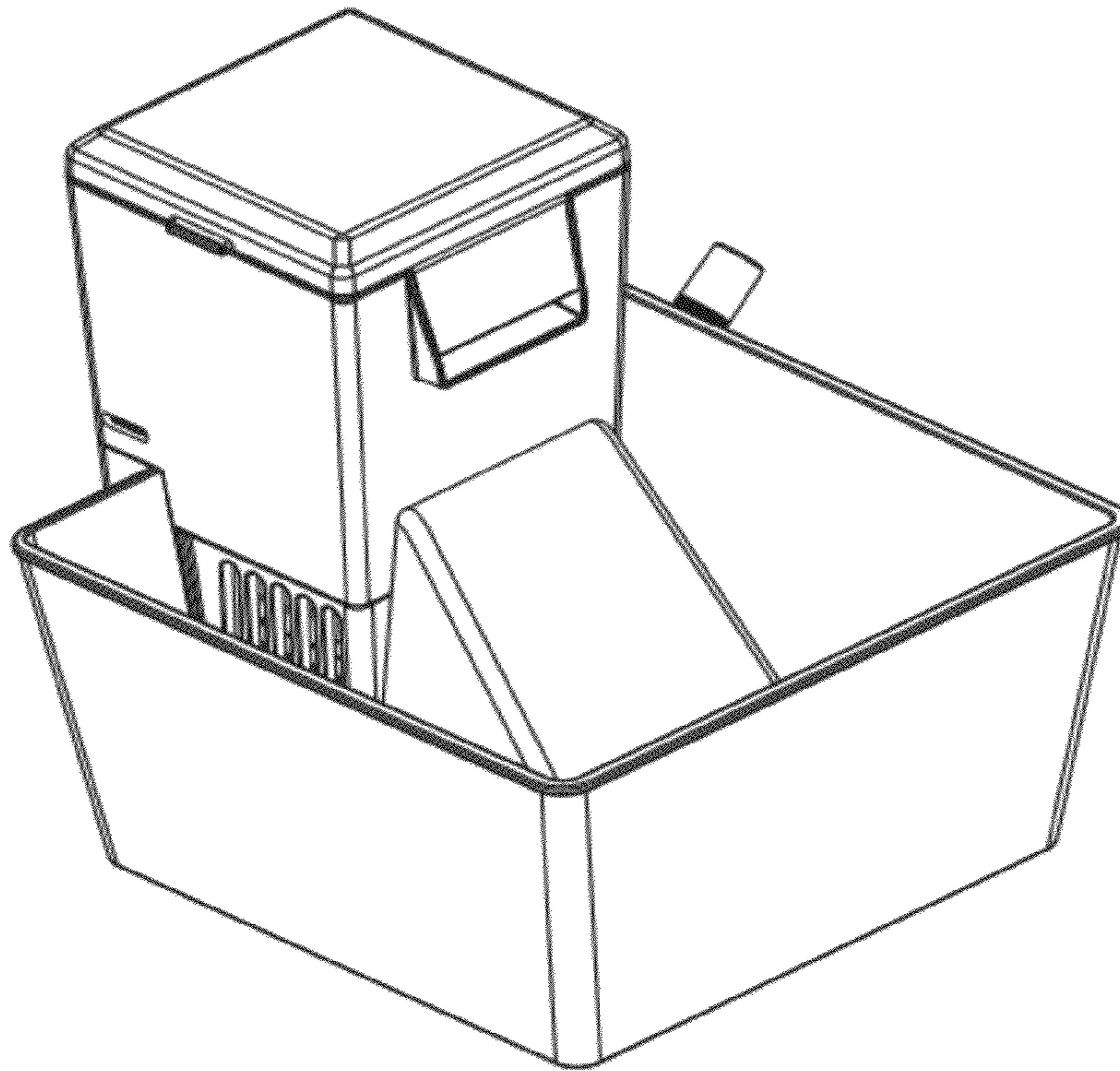


Fig. 1

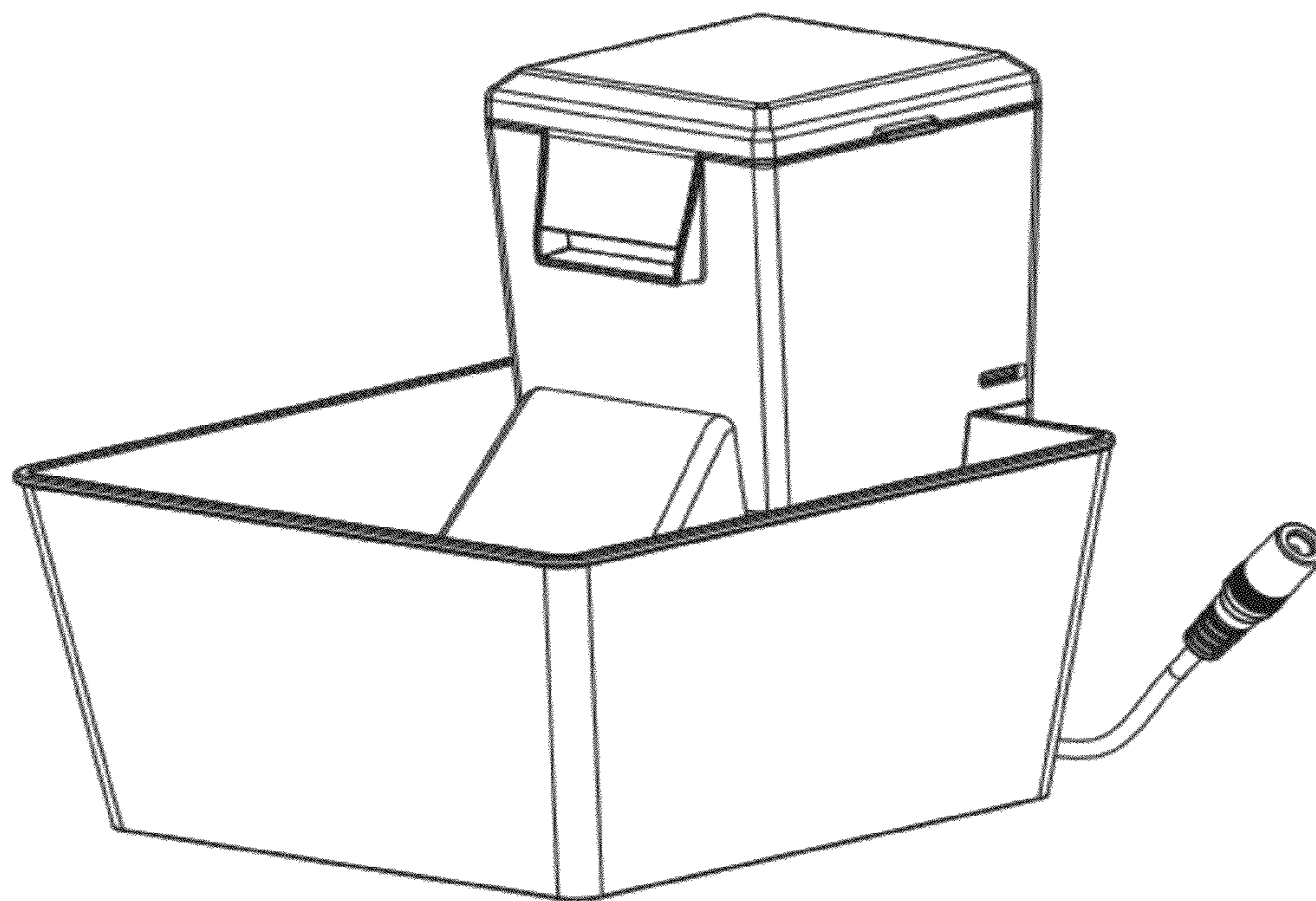


Fig. 2

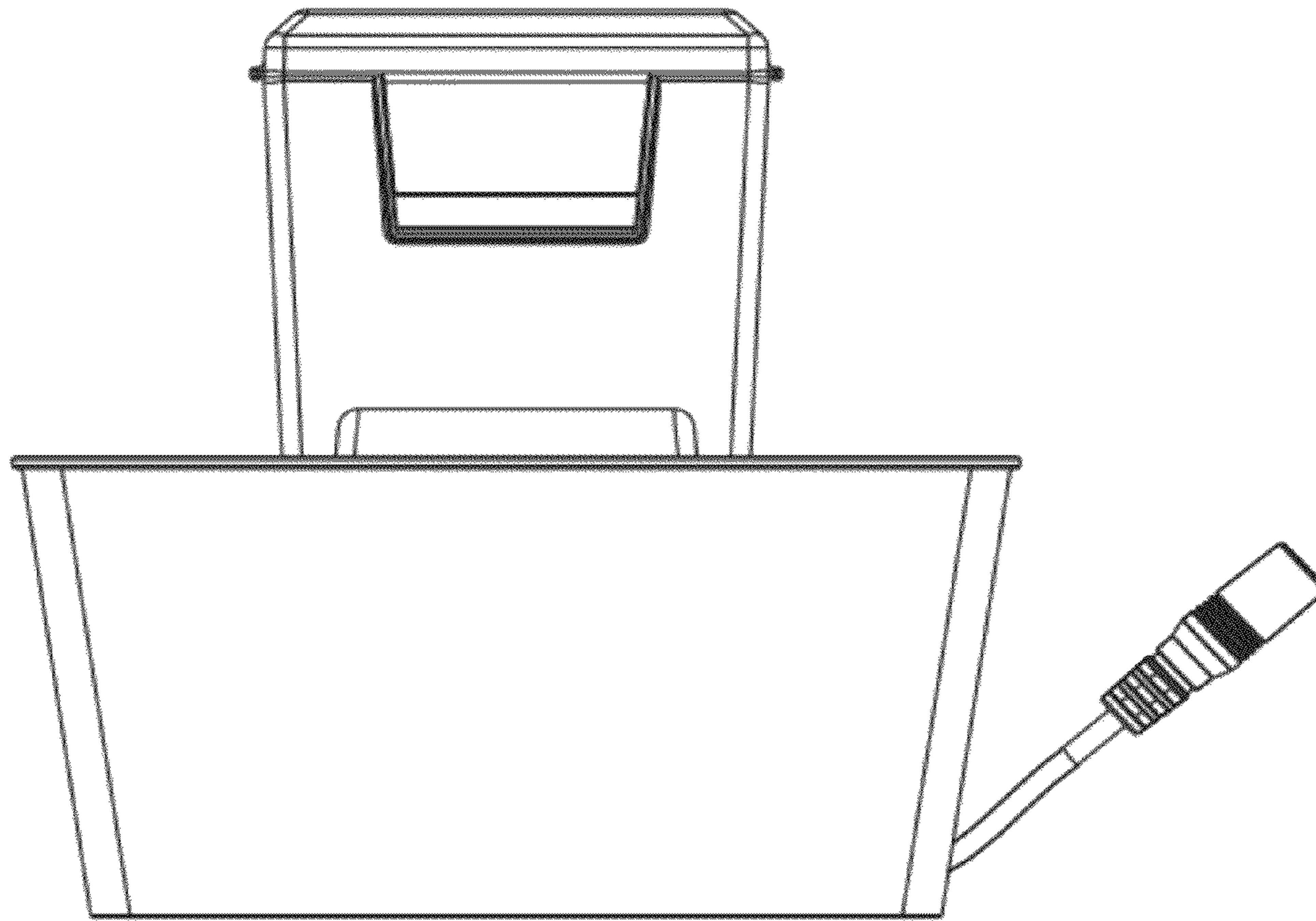


Fig. 3

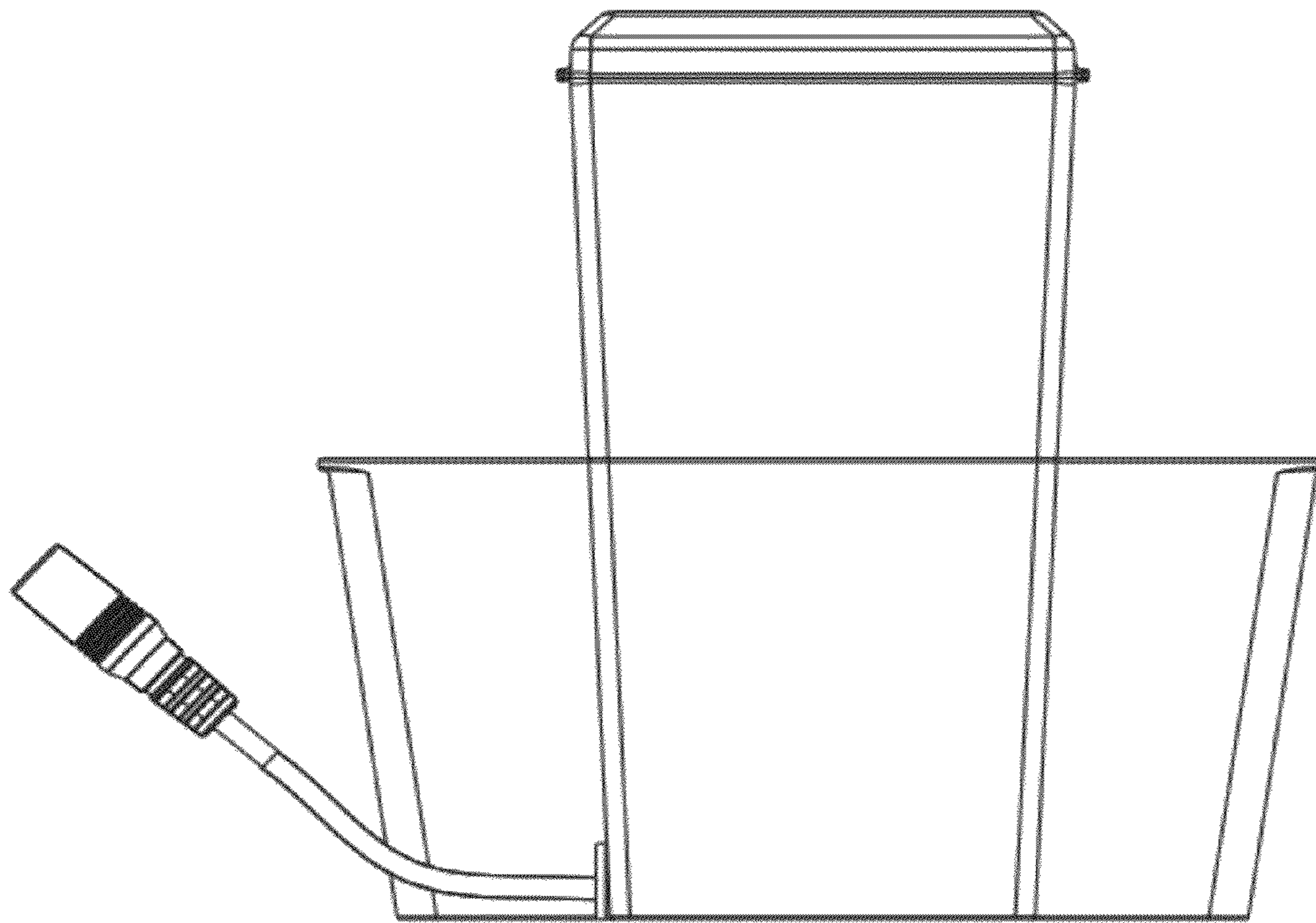


Fig. 4

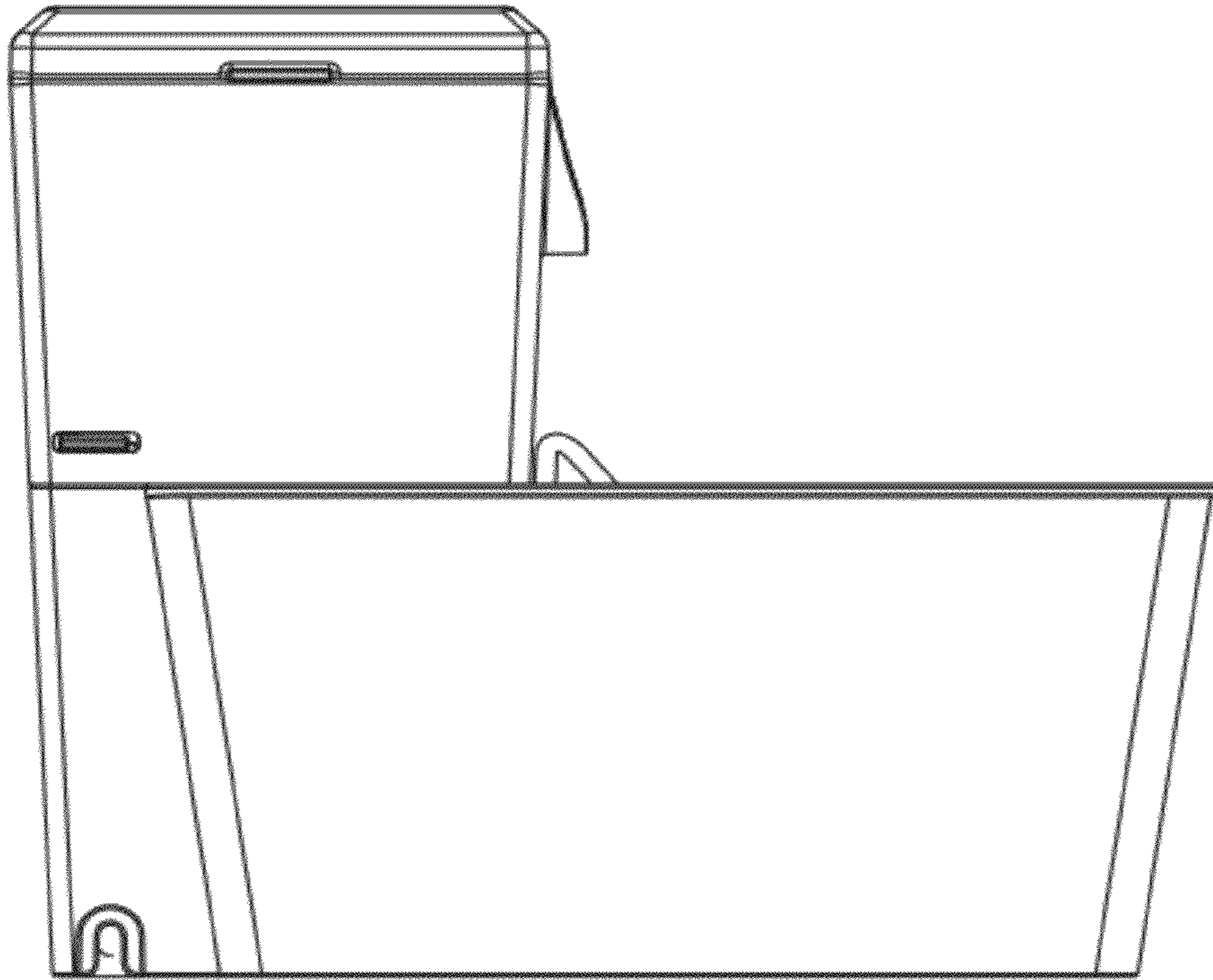


Fig. 5

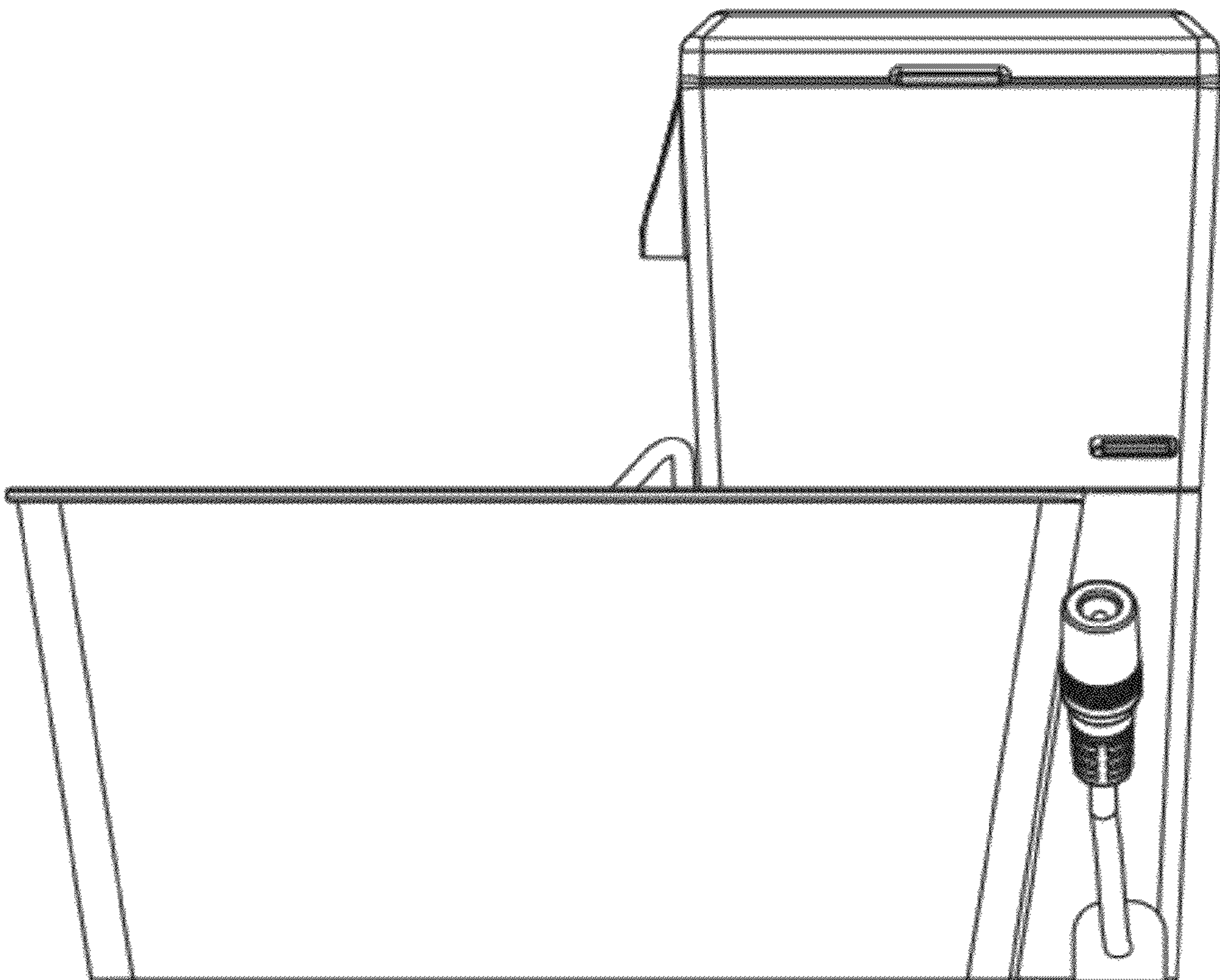


Fig. 6

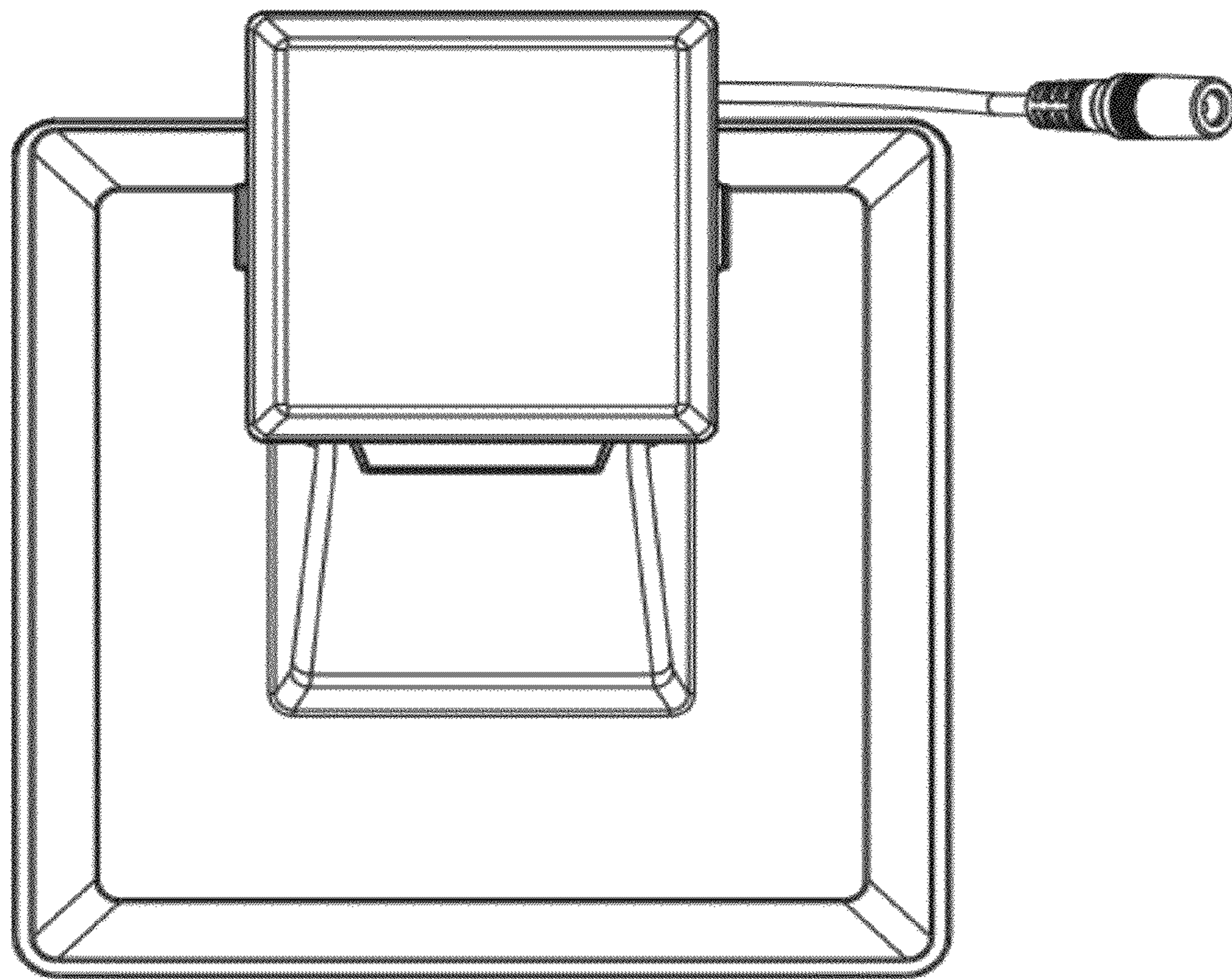


Fig.7

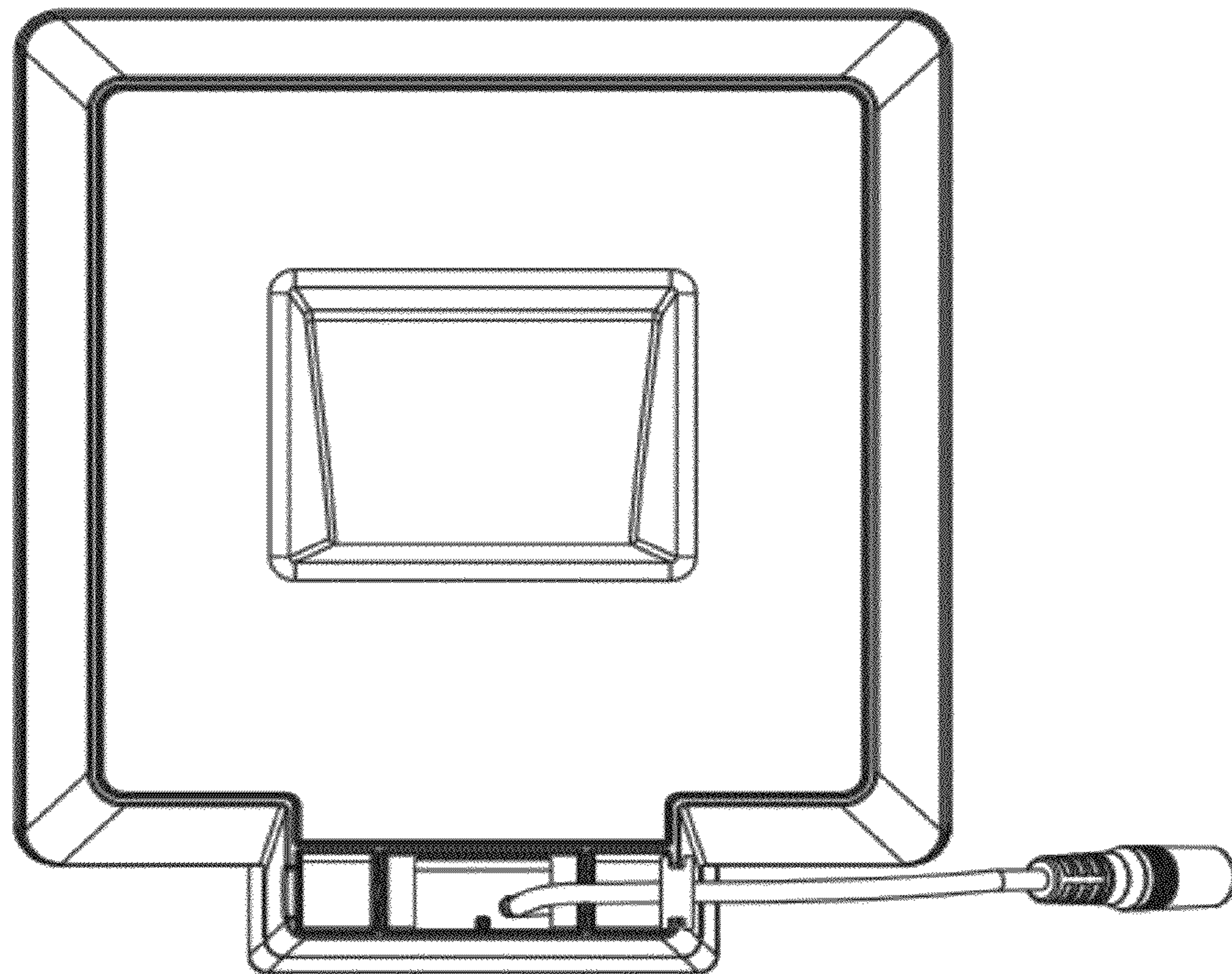


Fig.8