



US00D664156S

(12) **United States Design Patent**
Meza et al.

(10) **Patent No.:** **US D664,156 S**
(45) **Date of Patent:** **** Jul. 24, 2012**

(54) **DIAPHRAGM PUMP**

(75) Inventors: **Humberto V. Meza**, Tustin, CA (US);
Nancy I. Chacon Terrazas, Jose
Vasconcelos (MX)

(73) Assignee: **ITT Manufacturing Enterprises, Inc.**,
Wilmington, DE (US)

(**) Term: **14 Years**

(21) Appl. No.: **29/396,596**

(22) Filed: **Jul. 1, 2011**

(51) **LOC (9) Cl.** **15-02**

(52) **U.S. Cl.** **D15/7**

(58) **Field of Classification Search** D15/7-9;
D23/231, 232, 225; 417/60, 235, 265, 321,
417/355, 358, 363, 359, 410.1, 415-416,
417/405, 900; 60/408, 412; 184/26-37;
415/140-147; 123/495, 509

See application file for complete search history.

(56) **References Cited**

U.S. PATENT DOCUMENTS

D484,147 S	*	12/2003	Tai	D15/9
D501,486 S	*	2/2005	Leone et al.	D15/7
D514,595 S	*	2/2006	Chen	D15/9
D556,780 S	*	12/2007	Tazioli	D15/7

D627,370 S	*	11/2010	Moser et al.	D15/9
D647,110 S	*	10/2011	Pages	D15/7
D647,111 S	*	10/2011	Pages	D15/7

* cited by examiner

Primary Examiner — Ralf Seifert

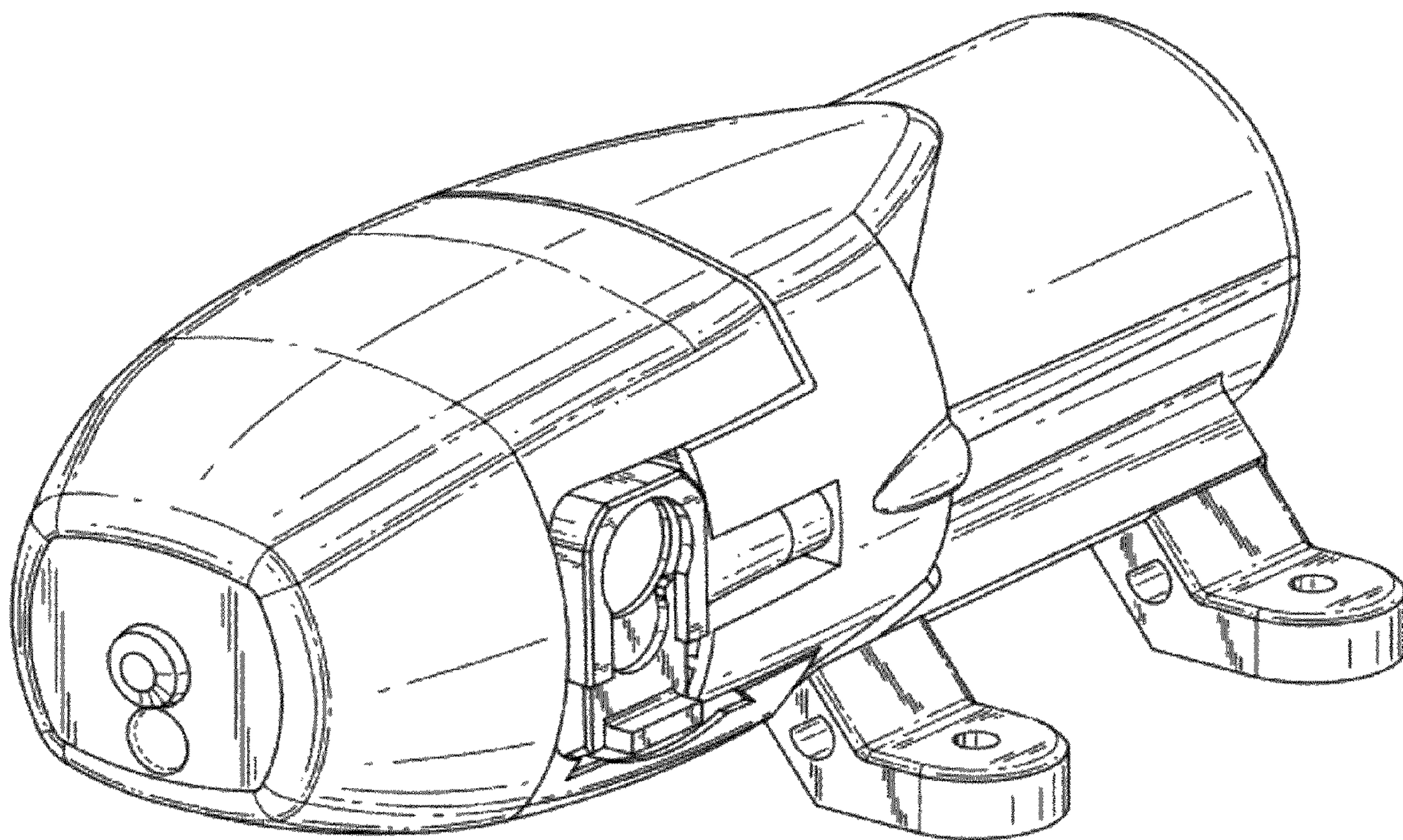
(57) **CLAIM**

We claim the ornamental design of a diaphragm pump, as shown and described herein.

DESCRIPTION

FIG. 1 is a top perspective view of a diaphragm pump according to some embodiments of the present invention; FIG. 2 is a side view of the diaphragm pump in FIG. 1 according to some embodiments of the present invention; FIG. 3 is another side view of the diaphragm pump shown in FIG. 1 from the other side according to some embodiments of the present invention; FIG. 4 is a front view of the diaphragm pump shown in FIG. 1 according to some embodiments of the present invention; FIG. 5 is a back view of the diaphragm pump shown in FIG. 1 according to some embodiments of the present invention; FIG. 6 is a top view of the diaphragm pump shown in FIG. 1 according to some embodiments of the present invention; and, FIG. 7 is a bottom view of the diaphragm pump shown in FIG. 1 according to some embodiments of the present invention. The broken line showing in FIGS. 1 and 4 is included for the purpose of illustrating environmental matter and forms no part of the claimed design.

1 Claim, 4 Drawing Sheets



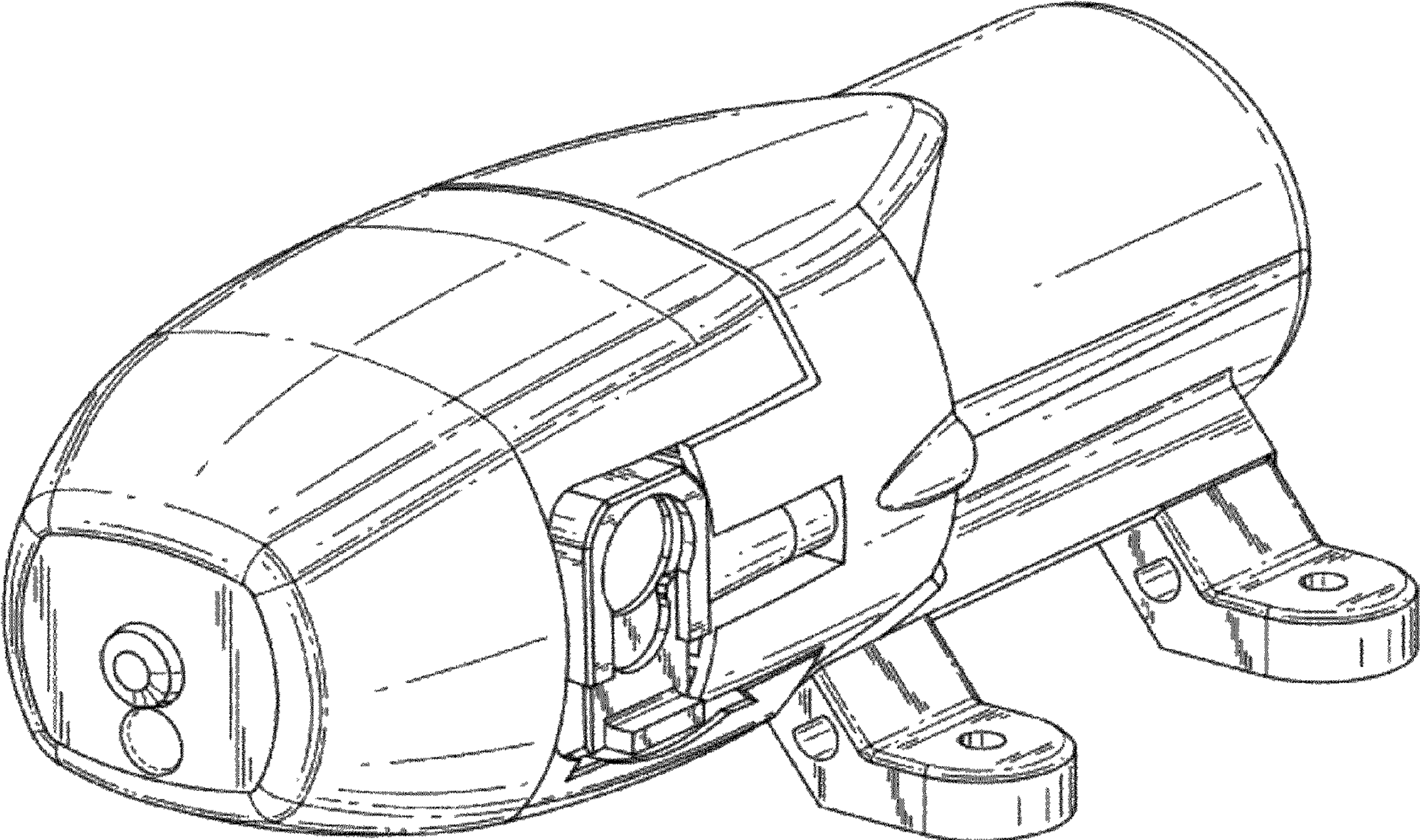


FIG. 1

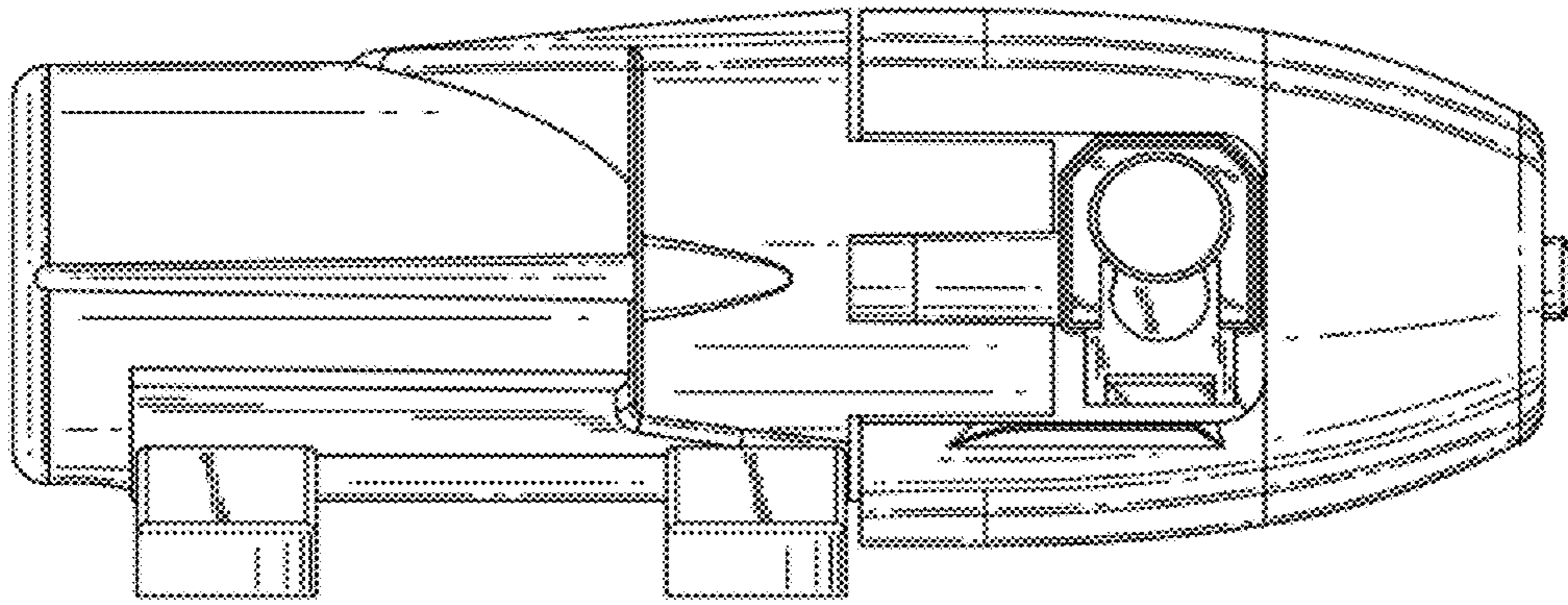


FIG. 2

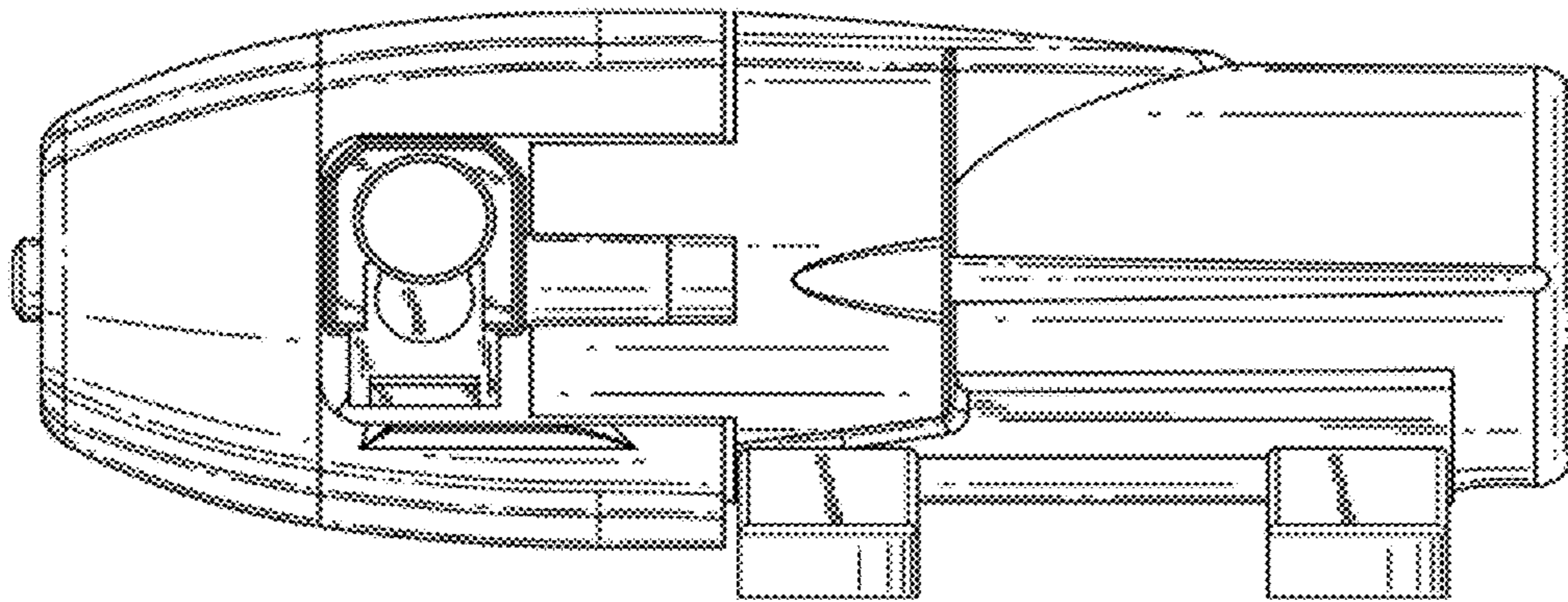


FIG. 3

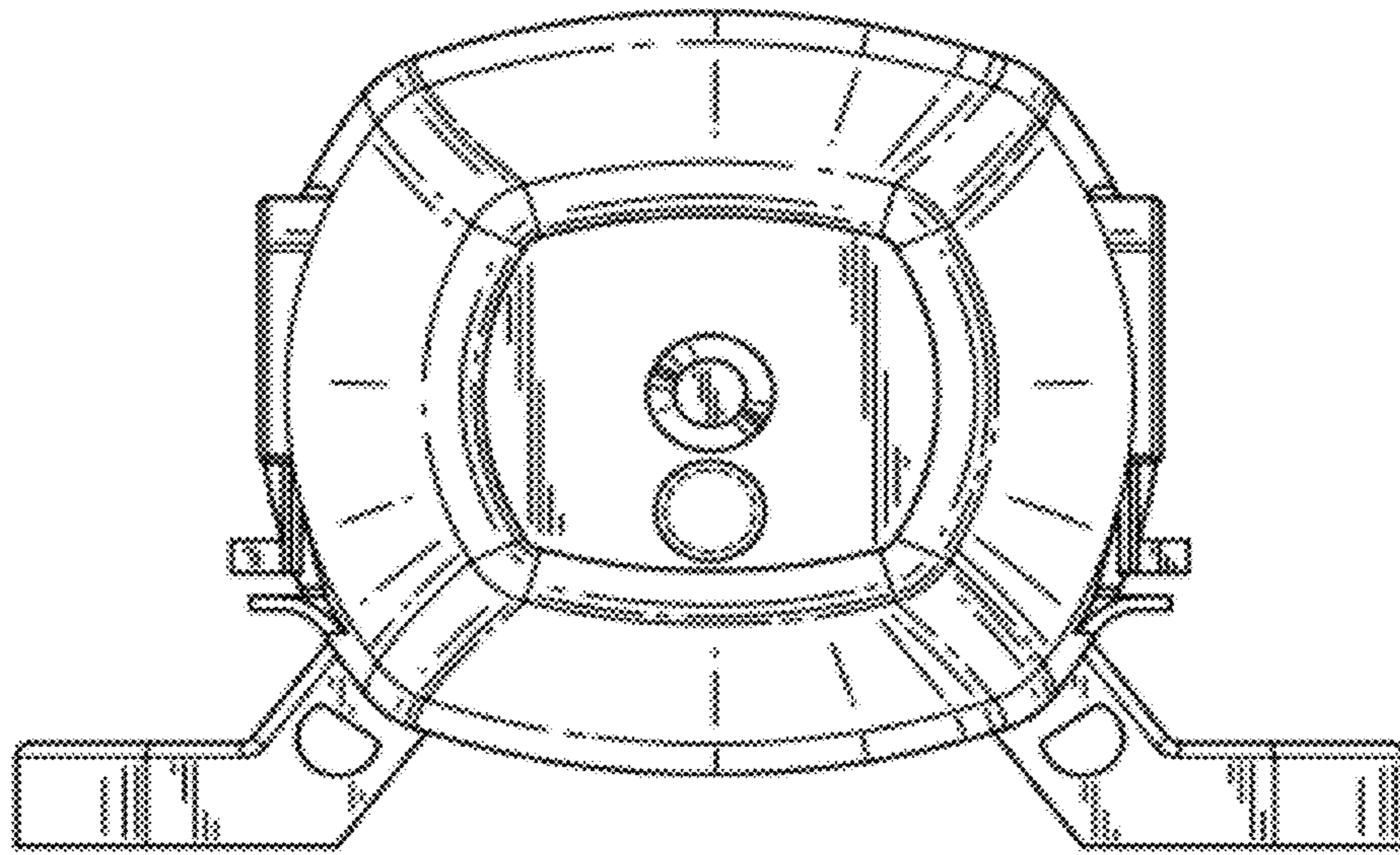


FIG. 4

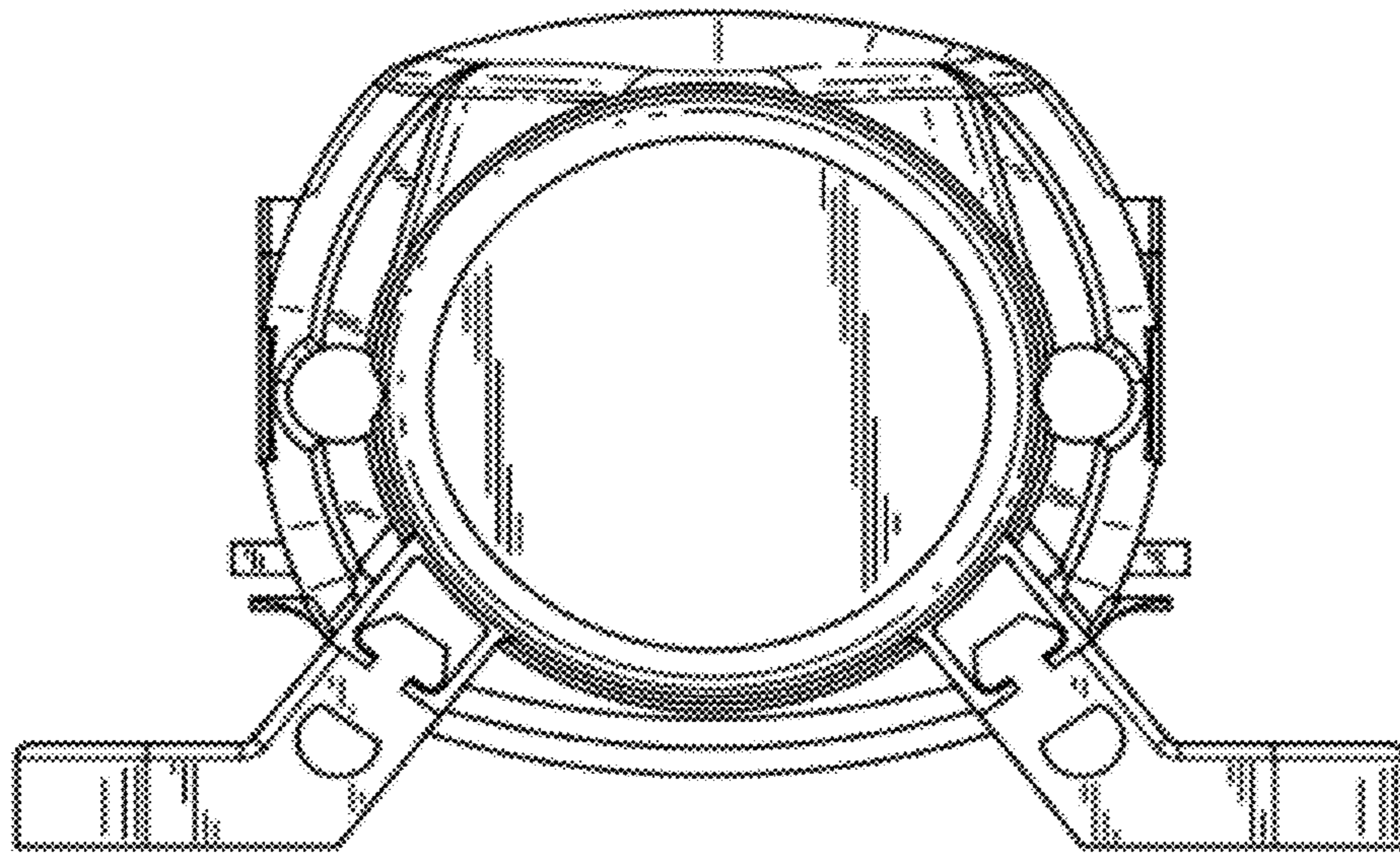


FIG. 5

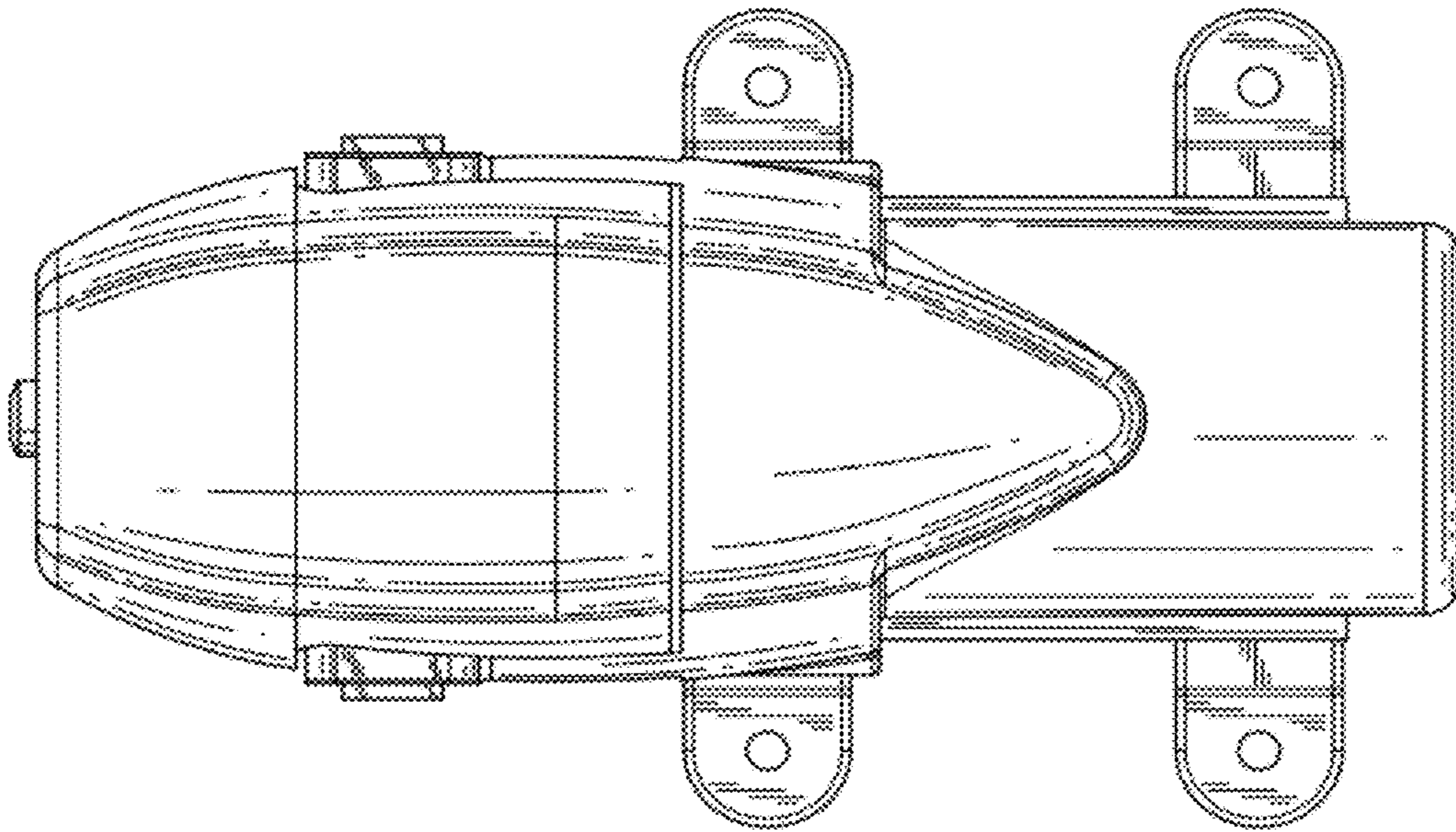


FIG. 6

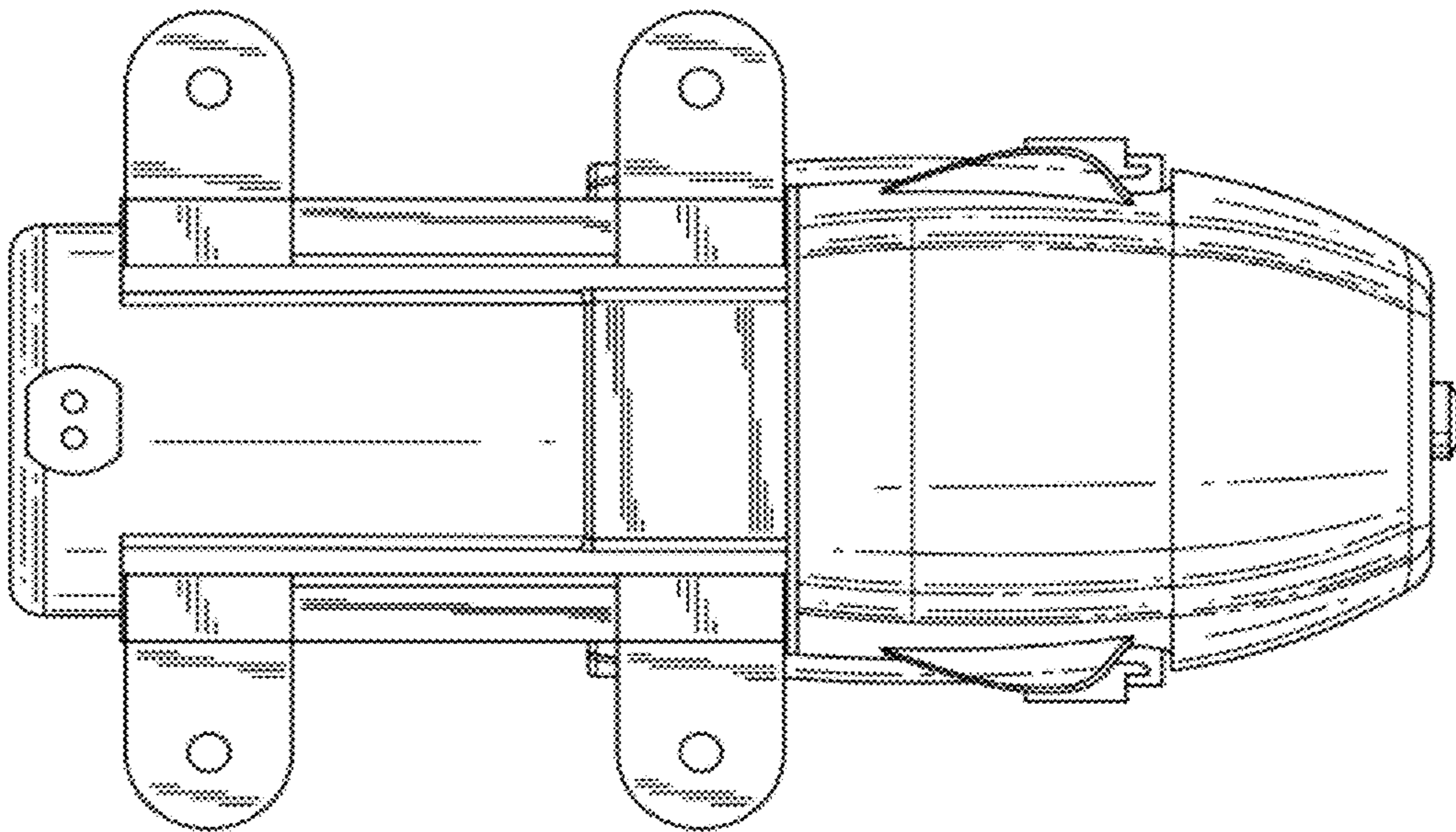


FIG. 7