



US00D664155S

(12) **United States Design Patent**
Milner et al.

(10) **Patent No.:** **US D664,155 S**

(45) **Date of Patent:** **** Jul. 24, 2012**

(54) **VACUUM PUMP**

(75) Inventors: **Paul Milner**, Worthing (GB); **David Bedwell**, Bexhill-on-Sea (GB); **Ian Keech**, Washington (GB); **Ian Olsen**, Crawley (GB); **Reuben Day**, Littlehampton (GB); **Stuart Martin Puttick**, Worthing (GB)

(73) Assignee: **Edwards Limited**, Crawley, West Sussex (GB)

(**) Term: **14 Years**

(21) Appl. No.: **29/391,088**

(22) Filed: **May 3, 2011**

(30) **Foreign Application Priority Data**

Nov. 4, 2010 (EM) 001777137-0001
Mar. 22, 2011 (EM) 001839358-0001

(51) **LOC (9) Cl.** **15-02**

(52) **U.S. Cl.** **D15/7**

(58) **Field of Classification Search** D15/7-9;
D23/231, 232, 225; 417/60, 235, 265, 321,
417/355, 358, 363, 359, 410.1, 415-416,
417/405, 900; 60/408, 412; 184/26-37;
415/140-147; 123/495, 509

See application file for complete search history.

(56) **References Cited**

U.S. PATENT DOCUMENTS

D280,993 S * 10/1985 Mariol D15/9
D327,891 S * 7/1992 Morgan D15/9
D485,281 S * 1/2004 Hsiao D15/9
D621,853 S * 8/2010 Sundheim et al. D15/7

* cited by examiner

Primary Examiner — Ralf Seifert

(57) **CLAIM**

The ornamental design for a vacuum pump, as shown and described.

DESCRIPTION

FIG. 1 is a perspective view of a vacuum pump showing our new design.

FIG. 2 is another perspective view.

FIG. 3 is yet another perspective view.

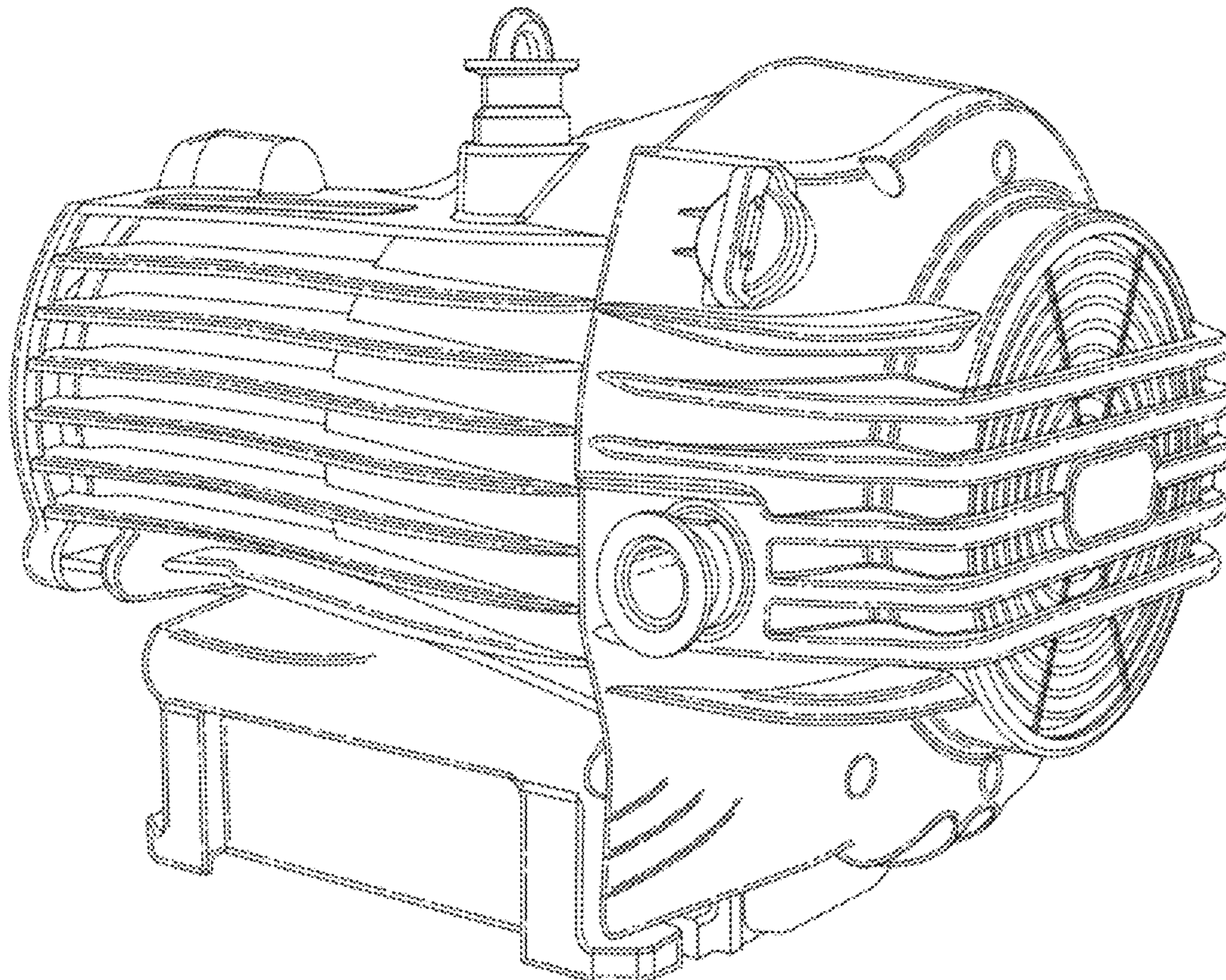
FIG. 4 is a front view.

FIG. 5 is a rear view.

FIG. 6 is a side view; and,

FIG. 7 is a top view.

1 Claim, 7 Drawing Sheets



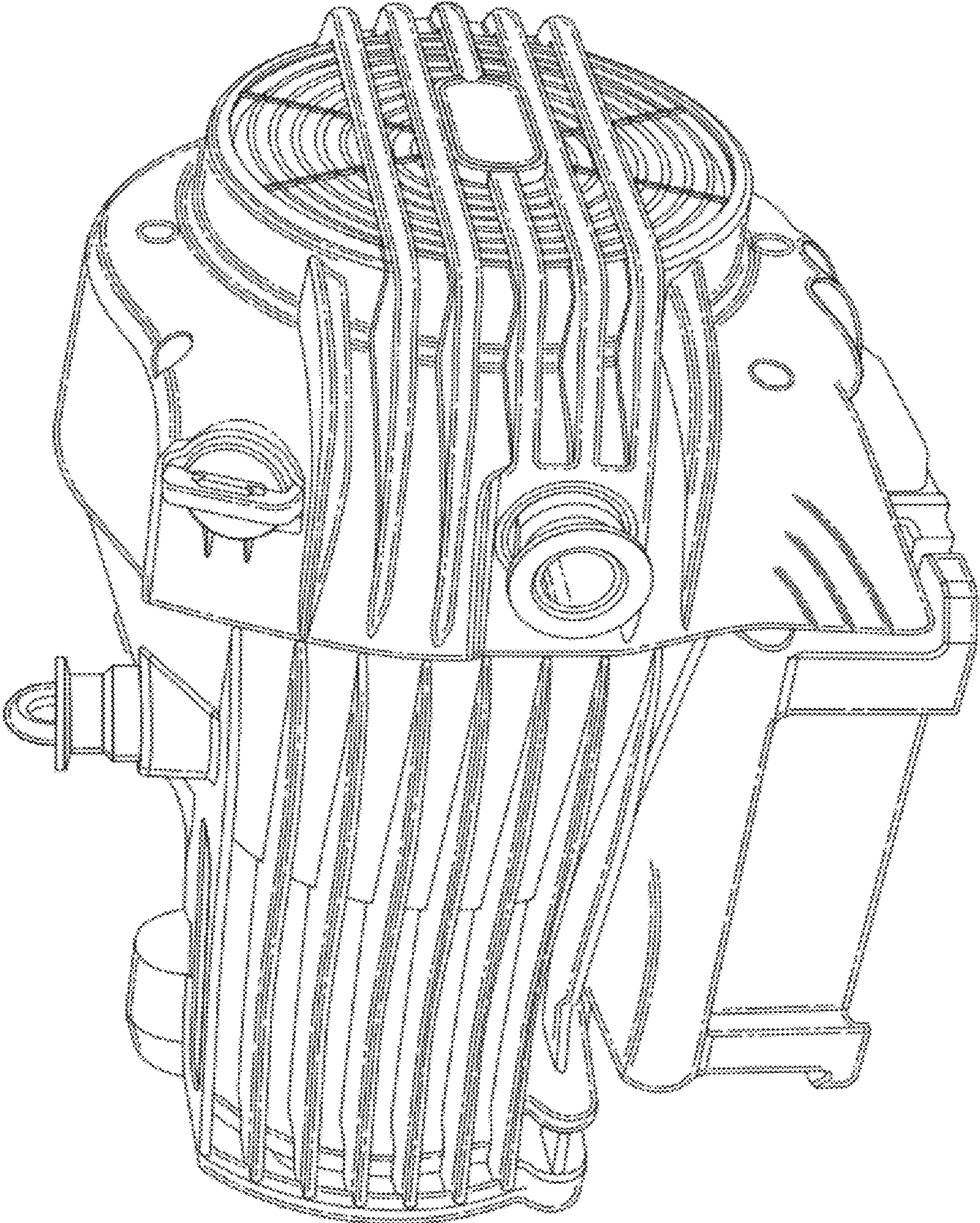


FIG. 1

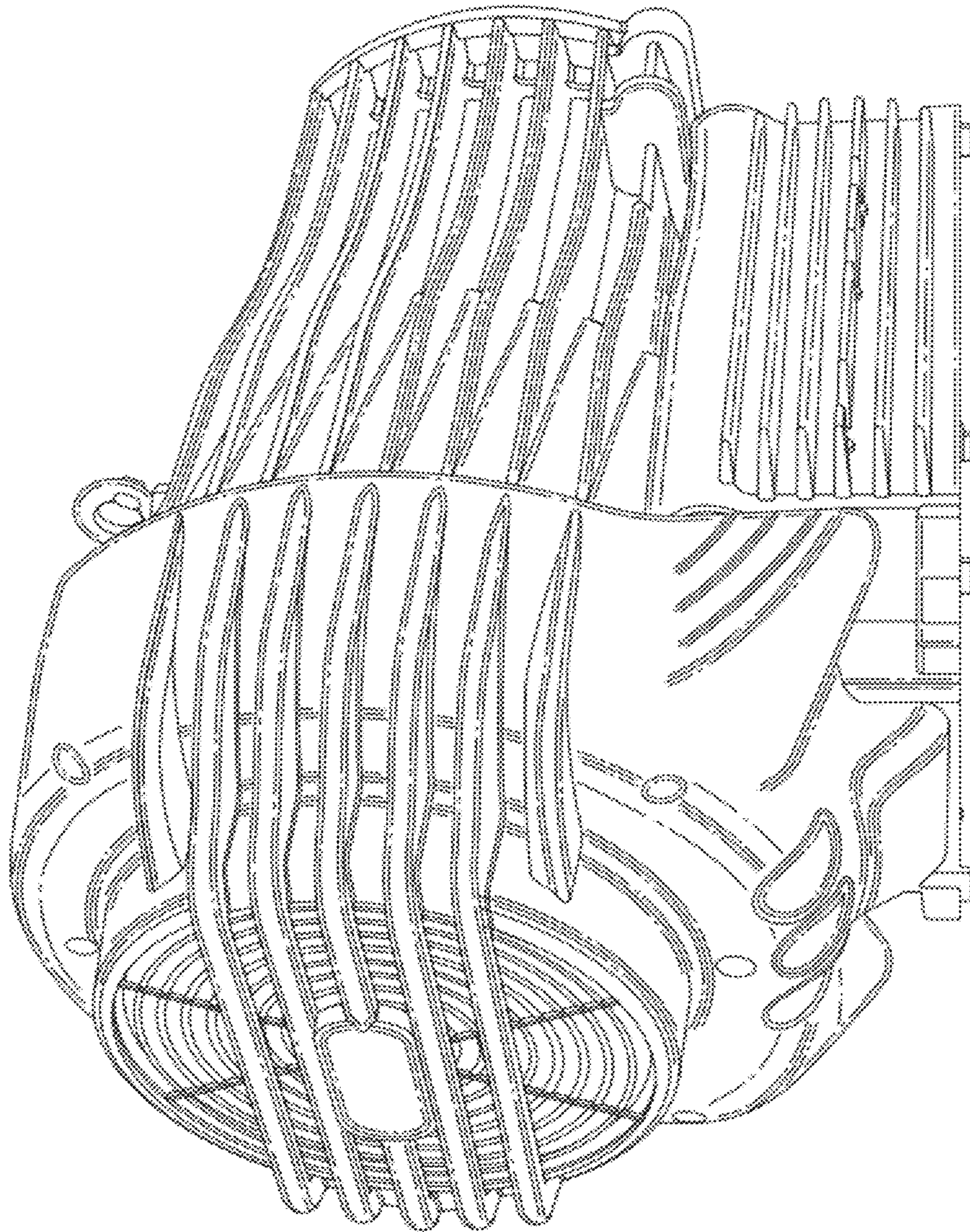


FIG. 2

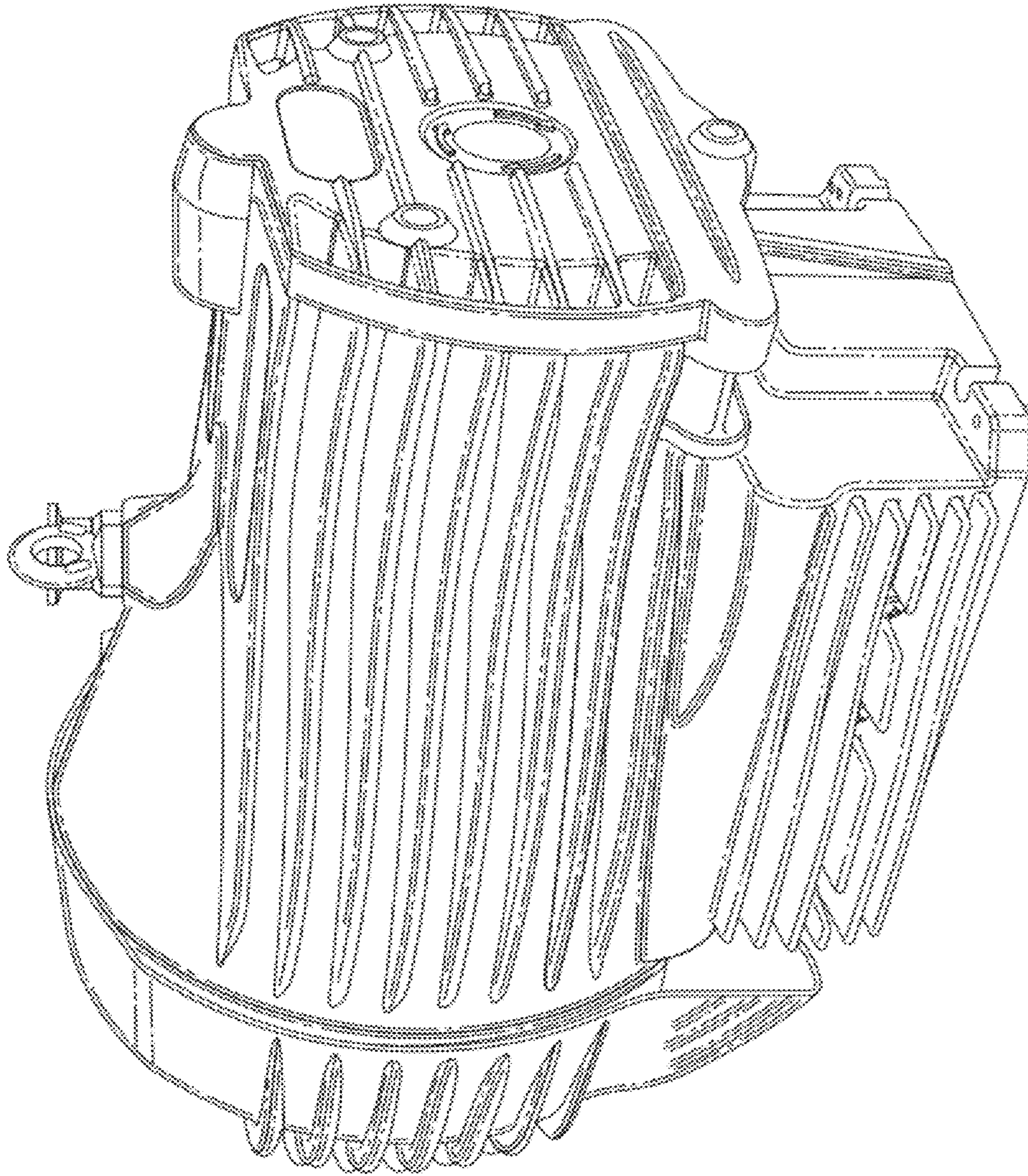


FIG. 3

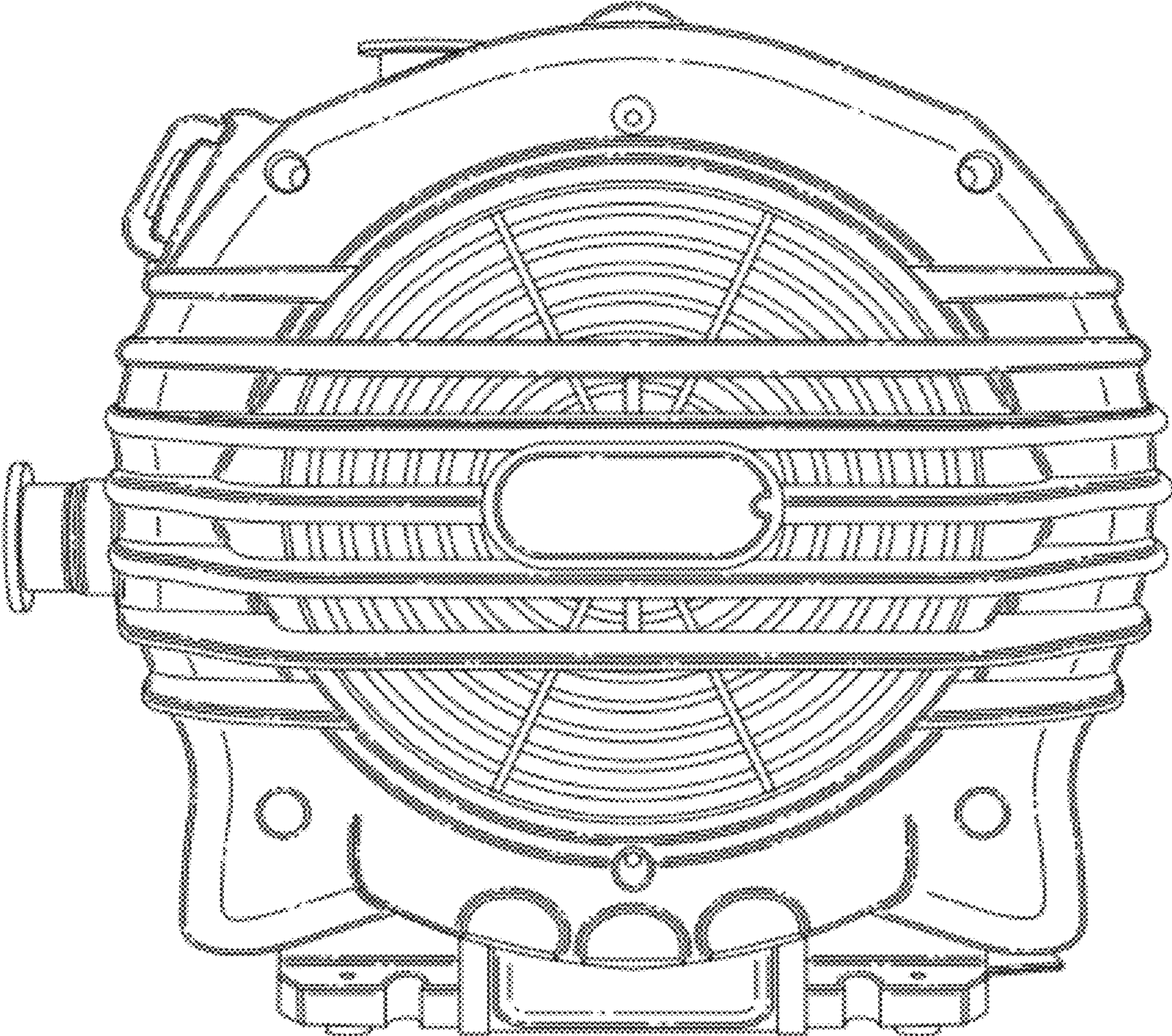


FIG. 4

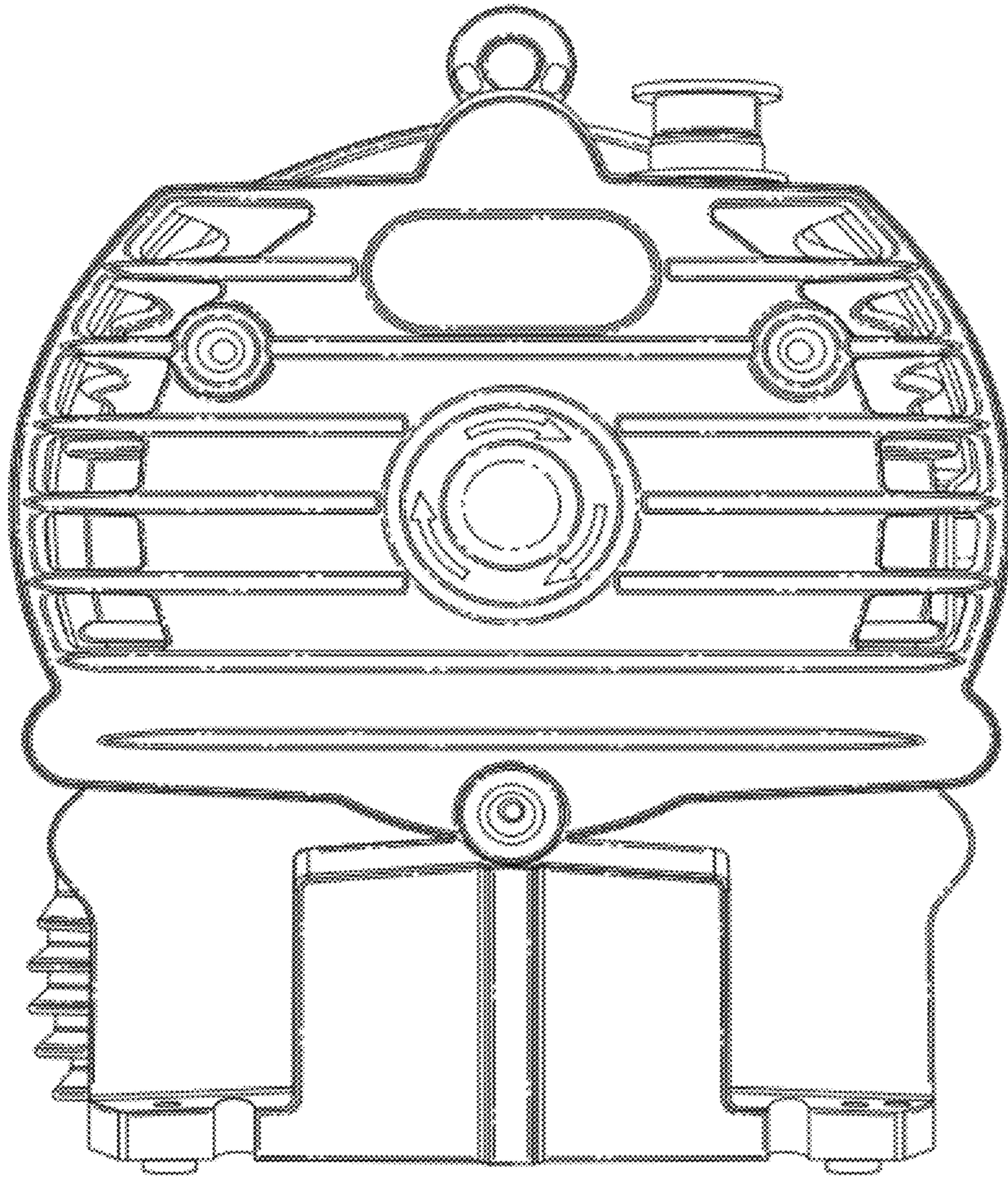


FIG. 5

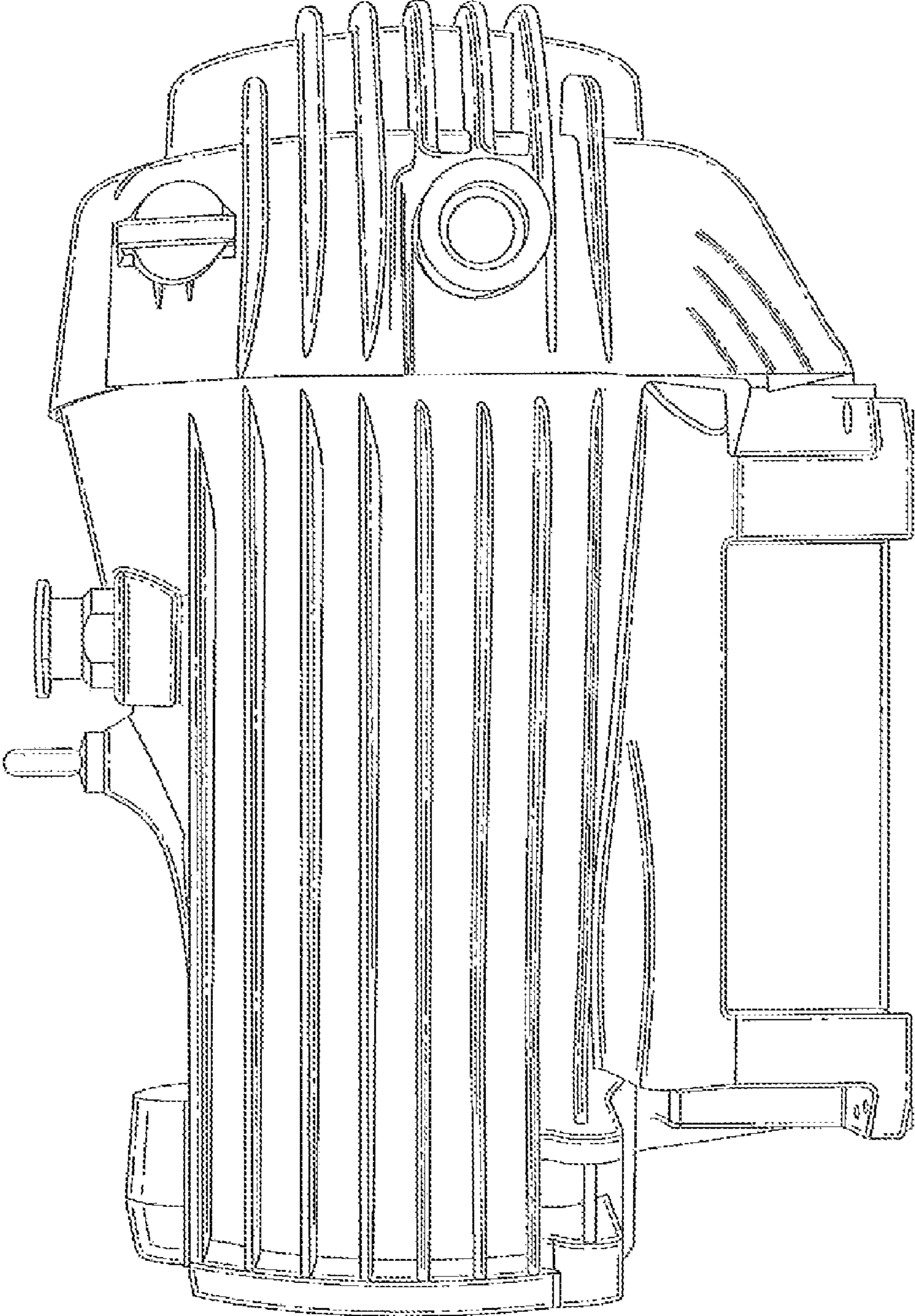


FIG. 6

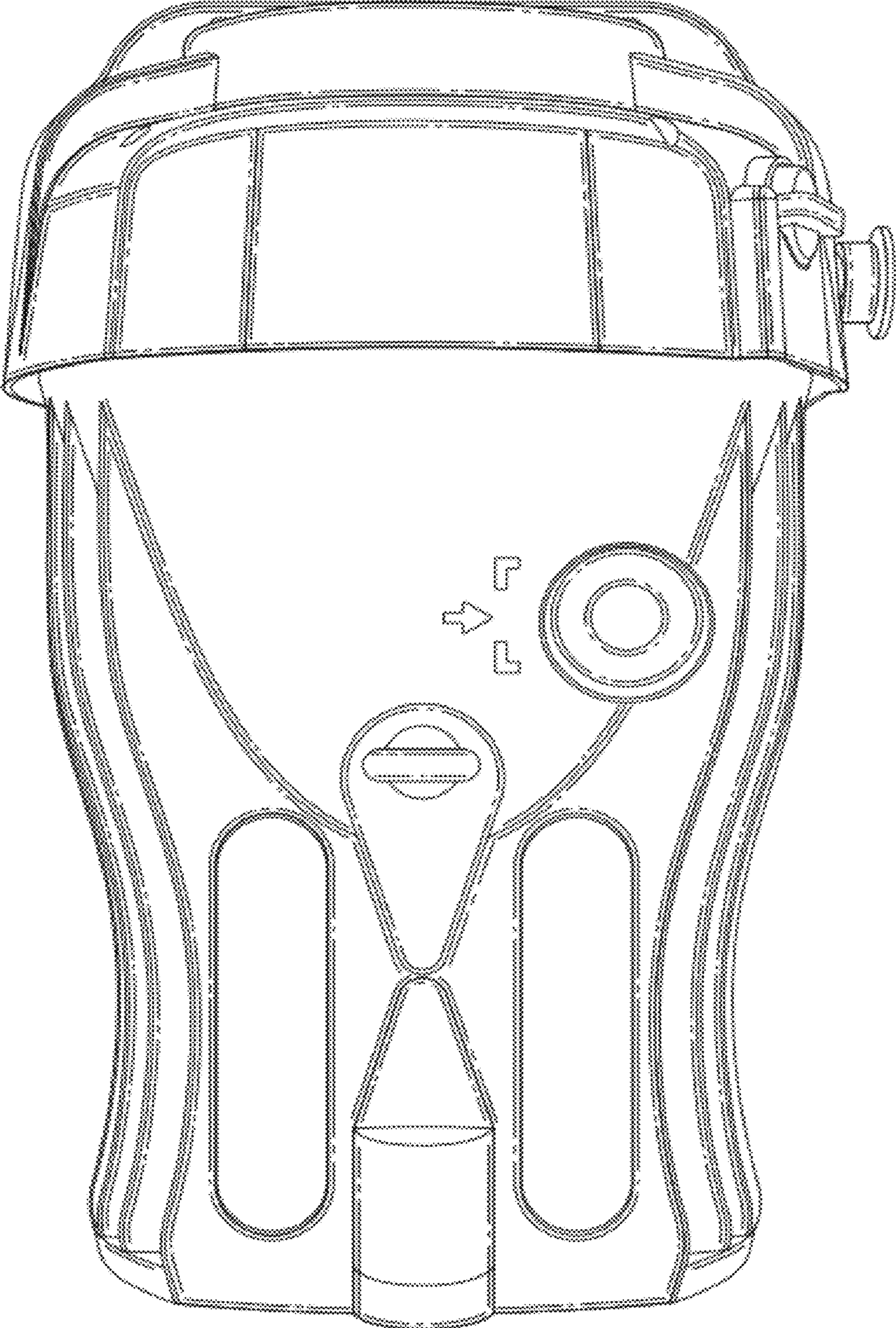


FIG. 7