



US00D664147S

(12) **United States Design Patent**
Zhao et al.

(10) **Patent No.:** **US D664,147 S**
(45) **Date of Patent:** **** Jul. 24, 2012**

(54) **BRACKET FOR SUPPORTING DISPLAY DEVICE**

(75) Inventors: **Ben-Xiang Zhao**, Shenzhen (CN);
Wu-Zhu Hu, Shenzhen (CN); **Wu-Qi Li**, Shenzhen (CN); **Tang Li**, Shenzhen (CN); **Jin-Xin Wang**, Shenzhen (CN)

(73) Assignee: **Hon Hai Precision Industry Co., Ltd.**,
Tu-Cheng, New Taipei (TW)

(**) Term: **14 Years**

(21) Appl. No.: **29/402,930**

(22) Filed: **Sep. 29, 2011**

(51) **LOC (9) Cl.** **08-07**

(52) **U.S. Cl.** **D14/452**

(58) **Field of Classification Search** D14/451,
D14/452, 448, 447, 239, 253; D8/349, 363,
D8/373, 380; 248/917, 918, 919, 920-924,
248/122.1, 124.1, 125.8, 371

See application file for complete search history.

(56) **References Cited**

U.S. PATENT DOCUMENTS

7,317,613 B2 *	1/2008	Quijano et al.	361/679.41
7,796,380 B2 *	9/2010	Lee	361/679.33
7,823,854 B2 *	11/2010	Tsai	248/429
D650,774 S *	12/2011	Molter	D14/239

* cited by examiner

Primary Examiner — Cynthia Ramirez

(74) *Attorney, Agent, or Firm* — Altis Law Group, Inc.

(57) **CLAIM**

The ornamental design for a bracket for supporting display device, as shown and described.

DESCRIPTION

FIG. 1 is a perspective view of a bracket for supporting display device showing my design.

FIG. 2 is a front elevational view thereof.

FIG. 3 is a rear elevational view thereof.

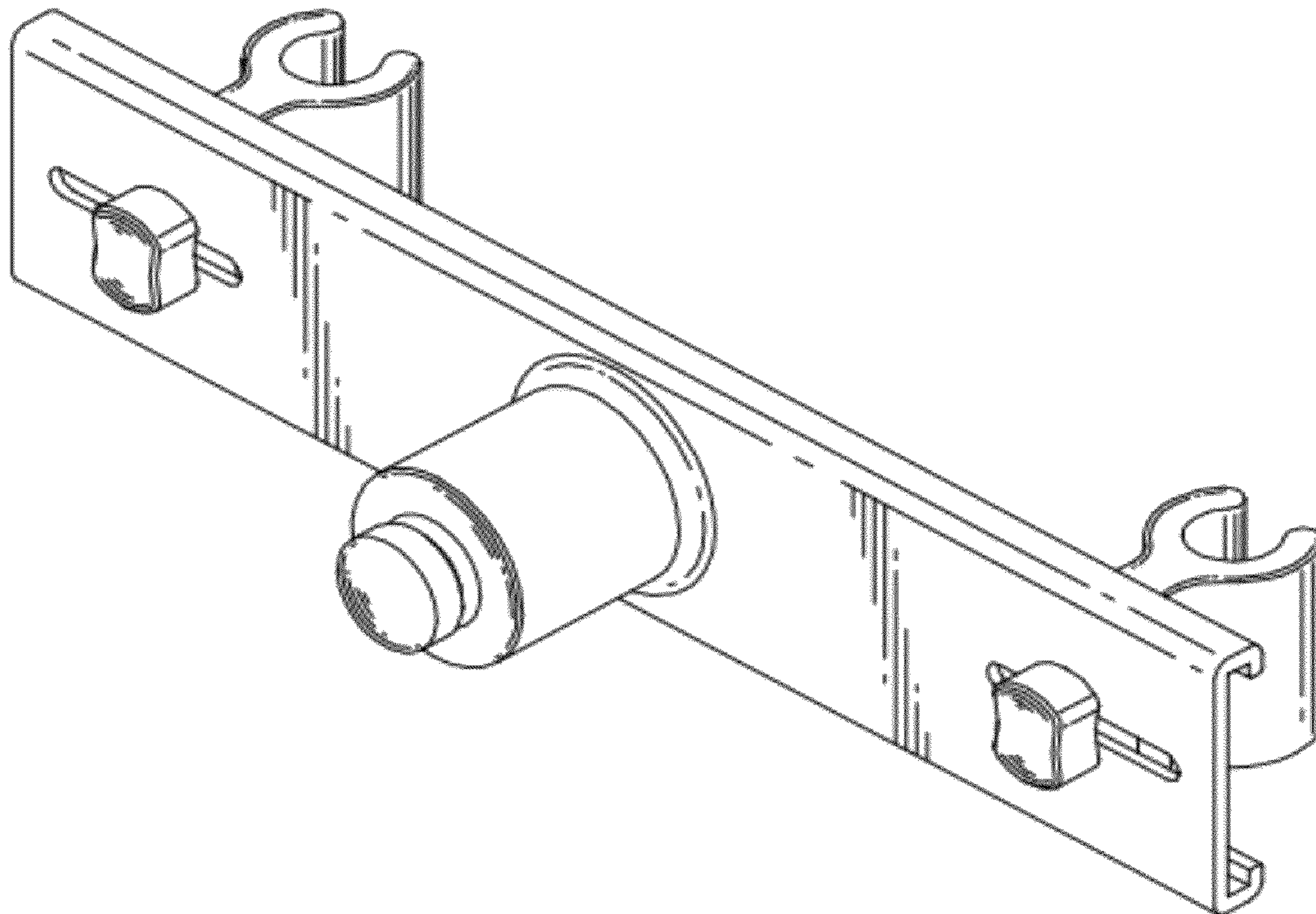
FIG. 4 is a left-side elevational view thereof.

FIG. 5 is a right-side elevational view thereof.

FIG. 6 is a top plan view thereof; and,

FIG. 7 is a bottom plan view thereof.

1 Claim, 7 Drawing Sheets



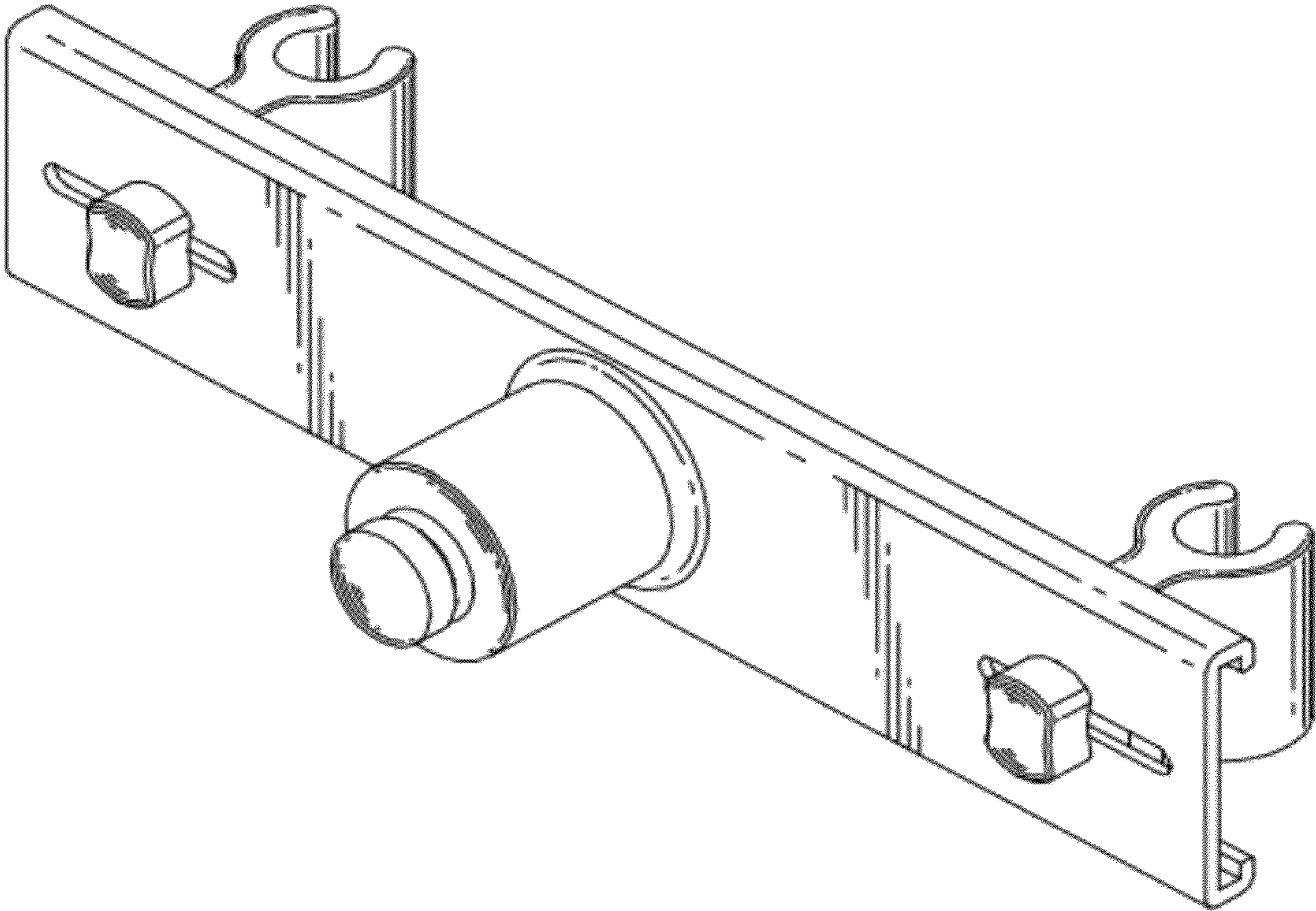


FIG. 1

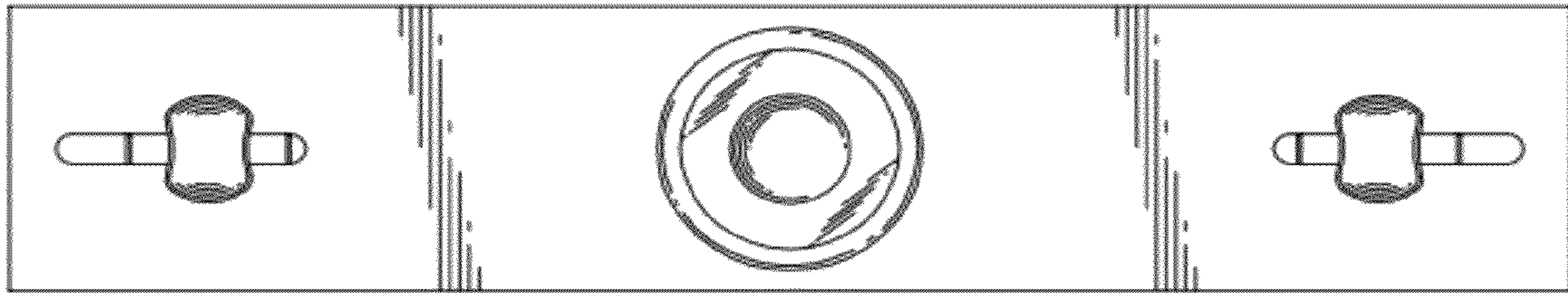


FIG. 2

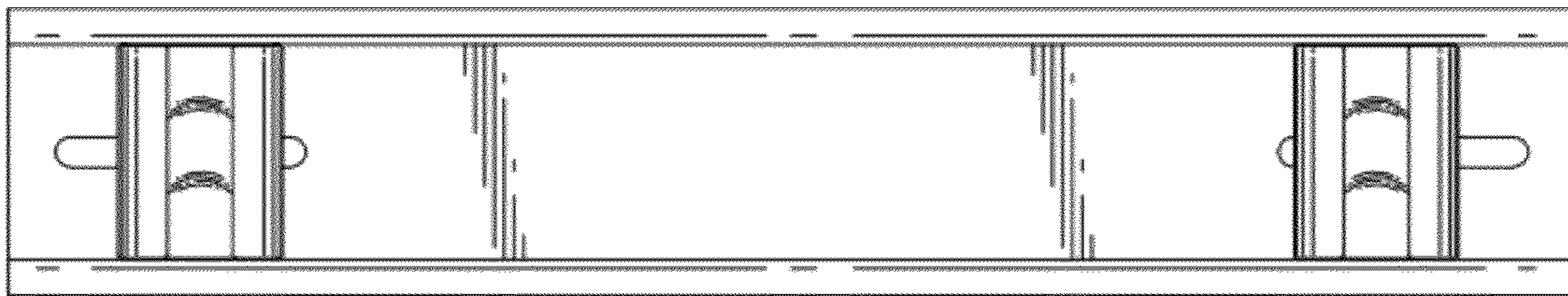


FIG. 3

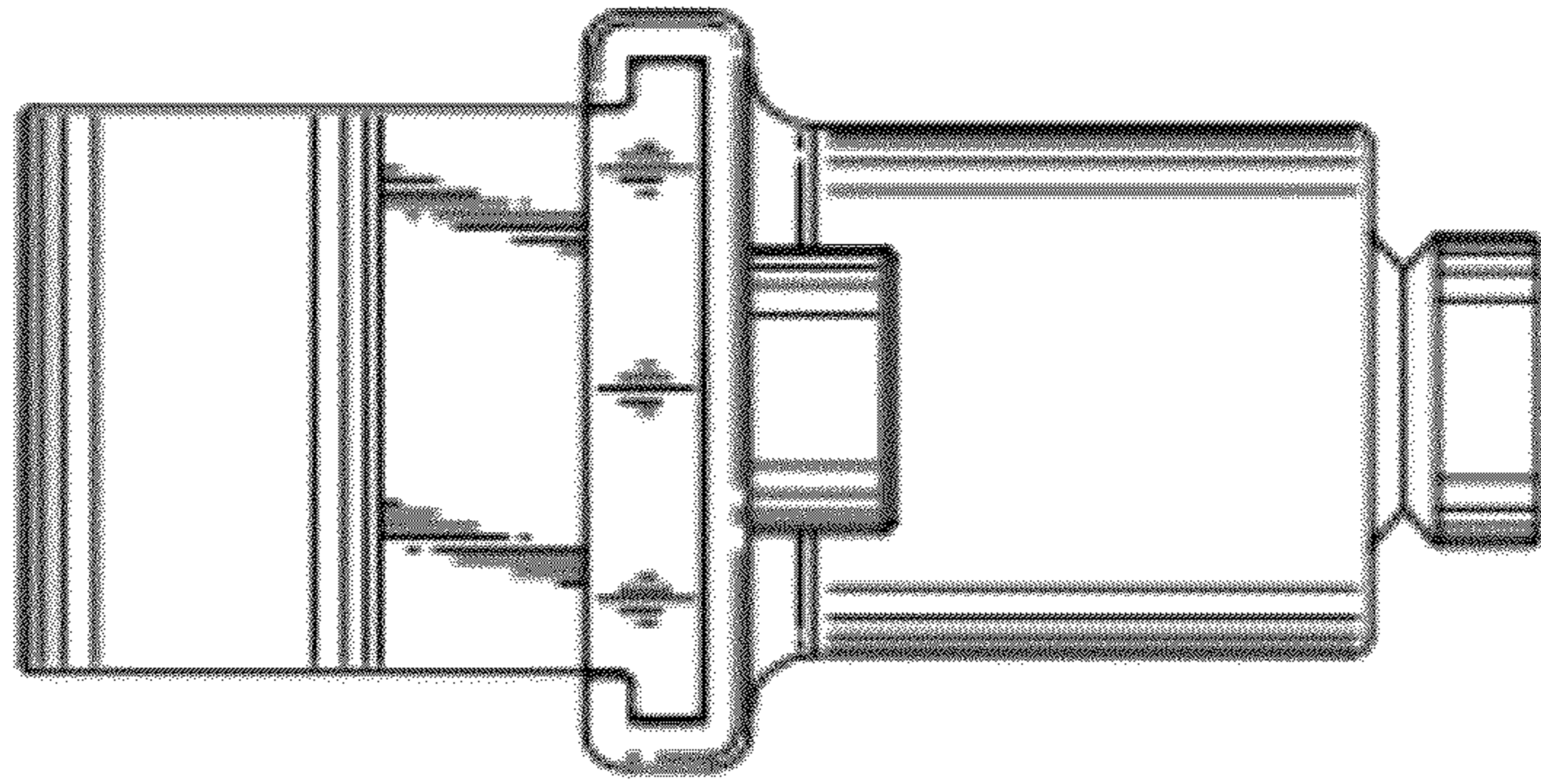


FIG. 4

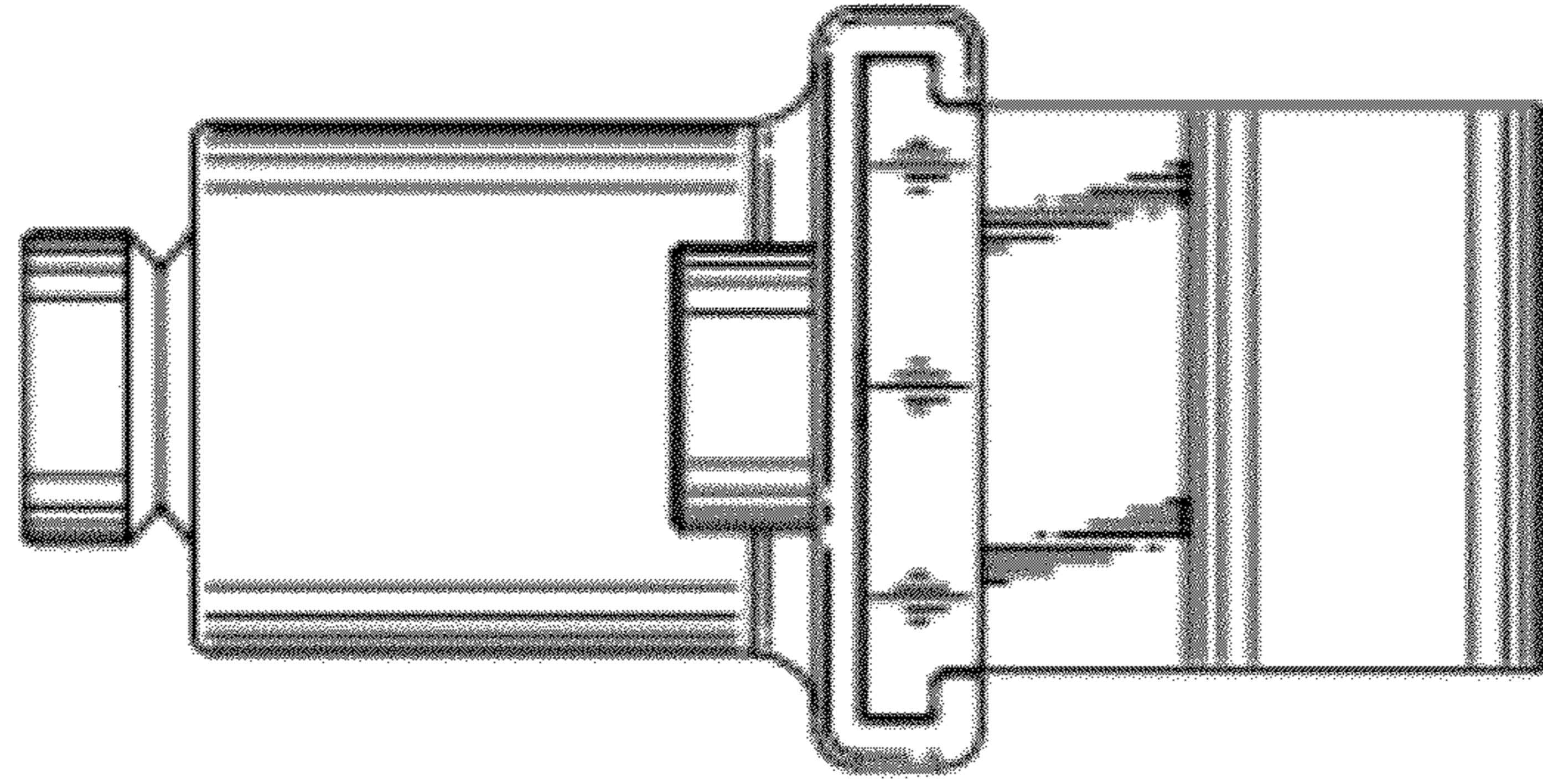


FIG. 5

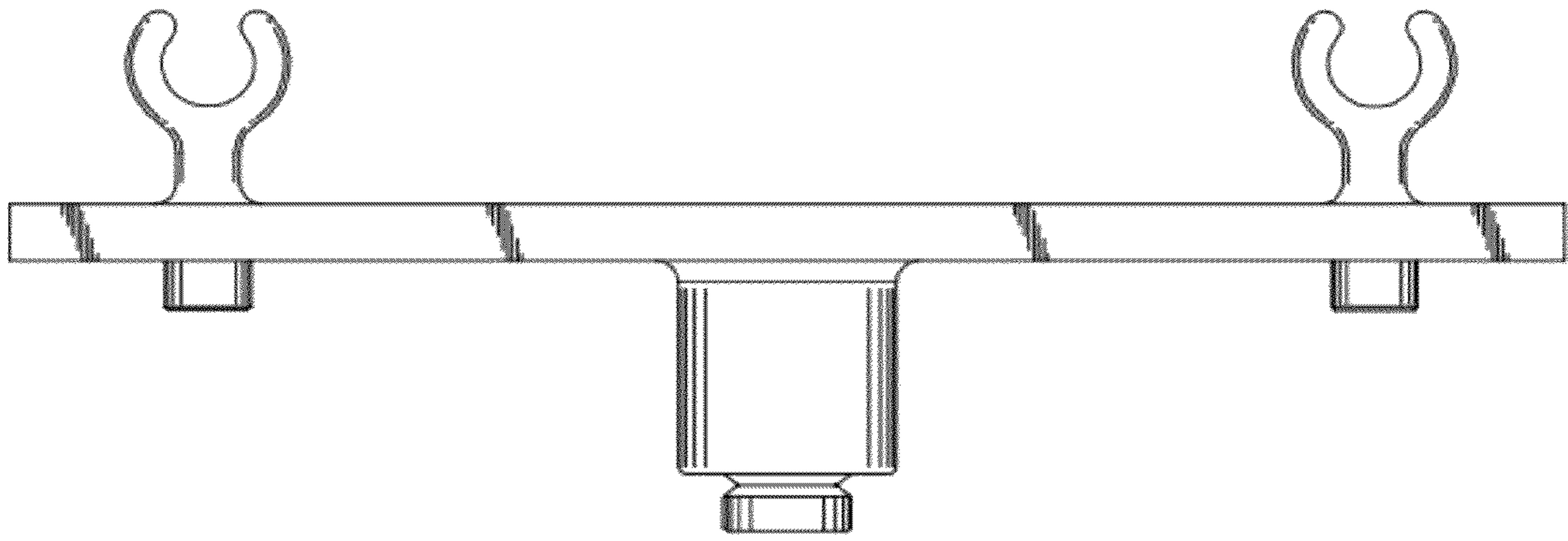


FIG. 6

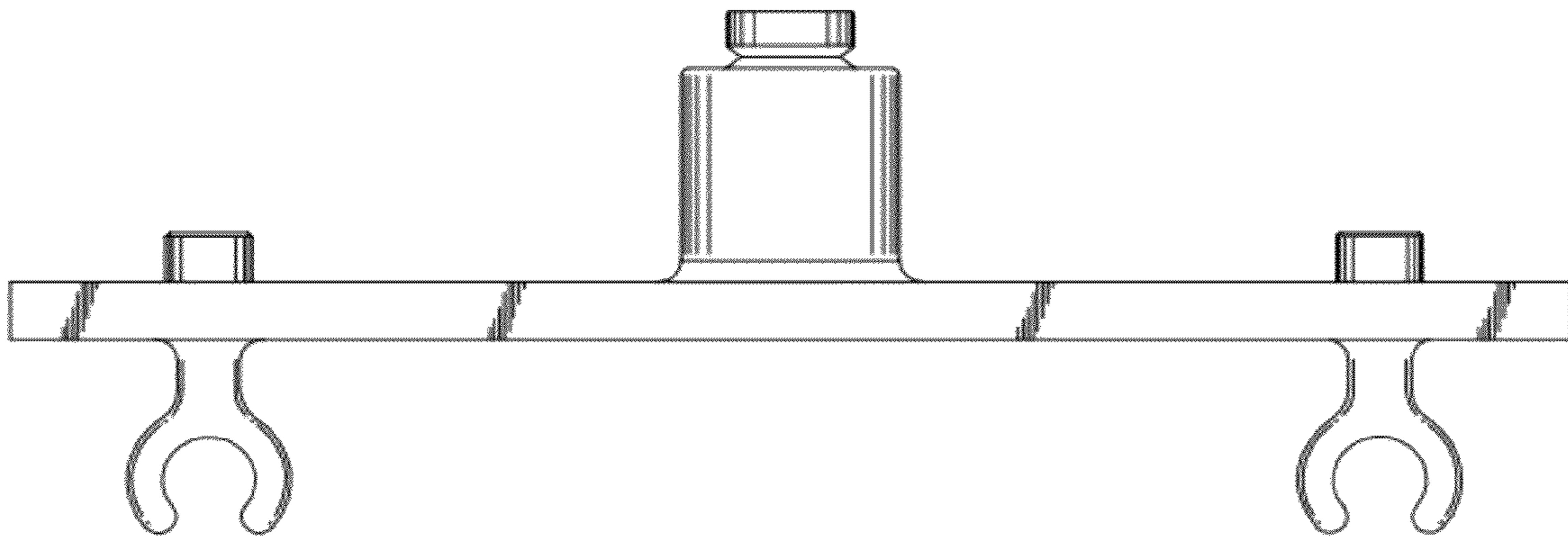


FIG. 7