



US00D664144S

(12) **United States Design Patent**
Akana et al.

(10) **Patent No.:** **US D664,144 S**
(45) **Date of Patent:** **** Jul. 24, 2012**

(54) **ELECTRONIC DEVICE**

(75) Inventors: **Jody Akana**, San Francisco, CA (US);
Bartley K. Andre, Menlo Park, CA (US);
Jeremy Bataillou, San Francisco, CA (US);
Daniel J. Coster, San Francisco, CA (US);
Daniele De Iuliis, San Francisco, CA (US);
Evans Hankey, San Francisco, CA (US);
Richard P. Howarth, San Francisco, CA (US);
Jonathan P. Ive, San Francisco, CA (US);
Duncan Robert Kerr, San Francisco, CA (US);
Shin Nishibori, Portola Valley, CA (US);
Matthew Dean Rohrbach, San Francisco, CA (US);
Peter Russell-Clarke, San Francisco, CA (US);
Christopher J. Stringer, Woodside, CA (US);
Eugene Antony Whang, San Francisco, CA (US);
Rico Zorkendorfer, San Francisco, CA (US)

(73) Assignee: **Apple Inc.**, Cupertino, CA (US)

(**) Term: **14 Years**

(21) Appl. No.: **29/361,522**

(22) Filed: **May 12, 2010**

(51) **LOC (9) Cl.** **14-02**

(52) **U.S. Cl.** **D14/389**

(58) **Field of Classification Search** D14/388-392,
D14/341-347, 336-340, 374; D18/7; 345/156-158,
345/173-178; 250/221

See application file for complete search history.

(56) **References Cited**

U.S. PATENT DOCUMENTS

D117,096 S *	10/1939	Good et al.	D19/52
2,304,795 A *	12/1942	Bricker	248/453
D284,084 S *	6/1986	Ferrara, Jr.	D14/389
D285,203 S *	8/1986	Milroy et al.	D14/390
D289,291 S *	4/1987	Kapper	D14/389
D293,467 S	12/1987	Elkerbout		
D303,111 S	8/1989	Paley		
D308,055 S *	5/1990	Tedham et al.	D14/389

D310,209 S	8/1990	Kasprzycki		
D316,549 S	4/1991	Hampf		
D321,865 S	11/1991	Derocher		
D334,398 S	3/1993	Conard		
5,231,380 A *	7/1993	Logan	345/156
D338,452 S	8/1993	Allgeier		
D345,564 S	3/1994	Kadono et al.		
D346,366 S *	4/1994	Kim et al.	D14/342
D348,661 S *	7/1994	Hansen et al.	D14/389

(Continued)

FOREIGN PATENT DOCUMENTS

KR 3002976250000 4/2002

OTHER PUBLICATIONS

U.S. Appl. No. 29/361,553 entitled "Keyboard", filed May 12, 2010.

(Continued)

Primary Examiner — Deanna L Fluegeman

(74) *Attorney, Agent, or Firm* — SAIDMAN DesignLaw Group

(57) **CLAIM**

The ornamental design for an electronic device, as shown and described.

DESCRIPTION

FIG. 1 is a top, front perspective view of an electronic device showing our new design;

FIG. 2 is bottom, front perspective view thereof;

FIG. 3 is a bottom, rear perspective view thereof;

FIG. 4 is a rear, top perspective view thereof;

FIG. 5 is a top view thereof;

FIG. 6 is a right side view thereof;

FIG. 7 is a bottom view thereof;

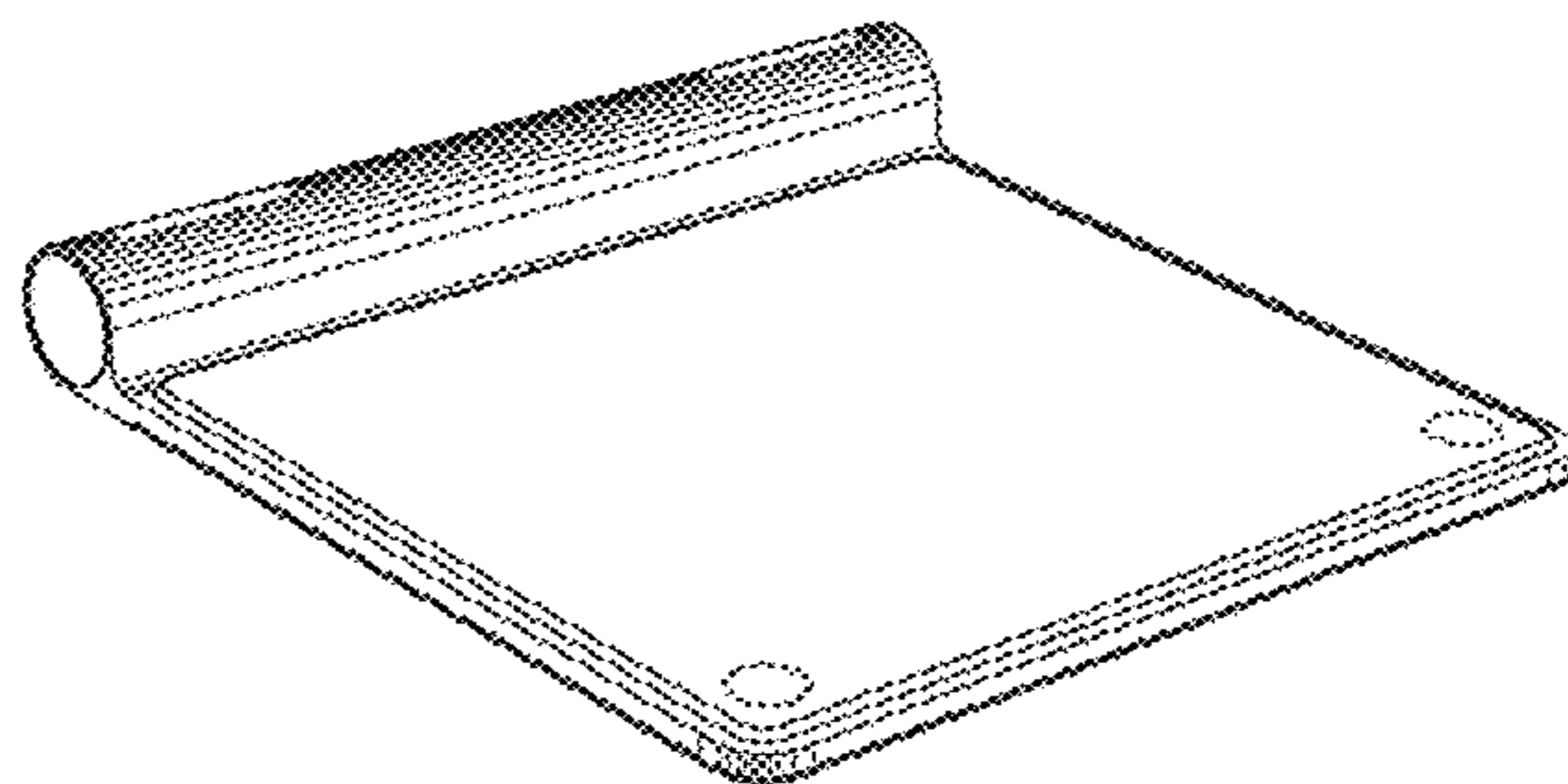
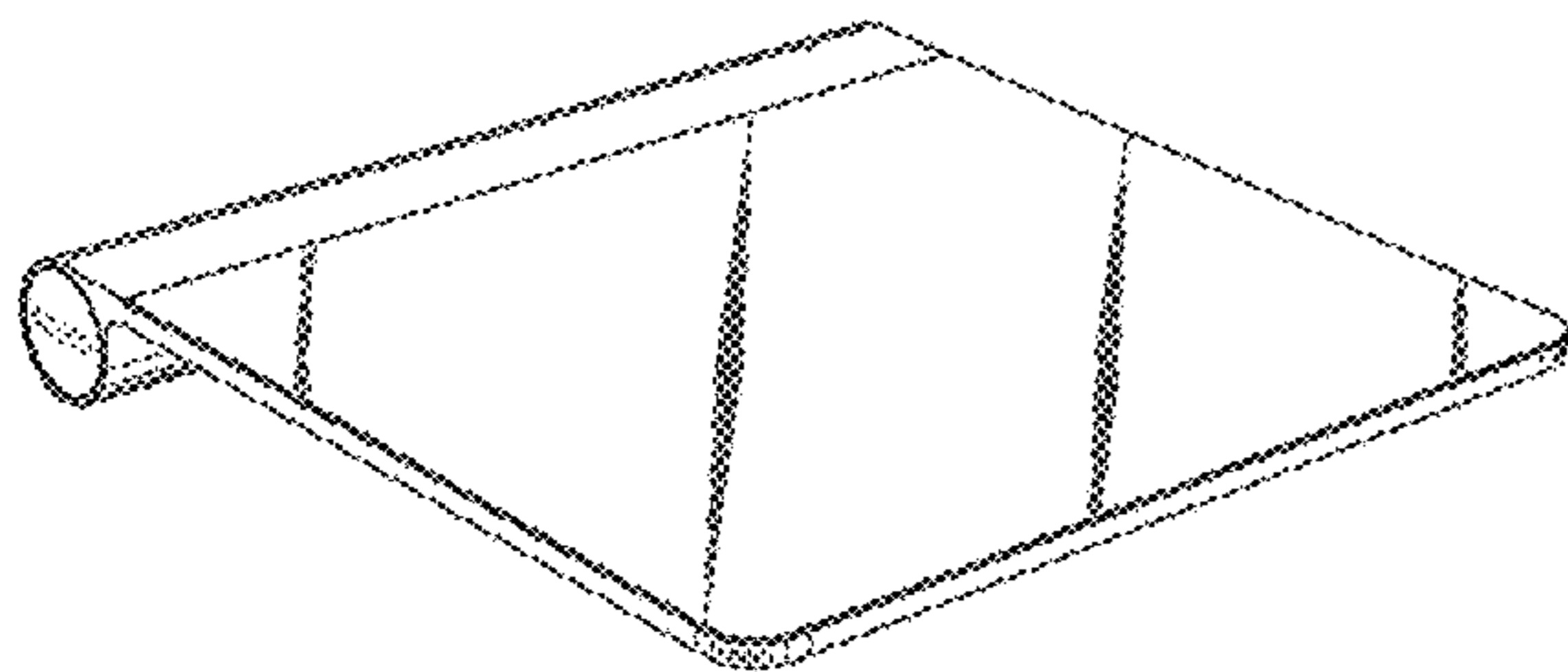
FIG. 8 is a left side view thereof;

FIG. 9 is a front view thereof; and,

FIG. 10 is a rear view thereof.

The broken line showing is for the purpose of illustrating portions of the electronic device and forms no part of the claimed design. The shade lines on the surface of the electronic device indicate contour and not surface decoration.

1 Claim, 5 Drawing Sheets



US D664,144 S

Page 2

U.S. PATENT DOCUMENTS

D350,555 S * 9/1994 Field et al. D16/221
D354,947 S * 1/1995 Peart D14/341
D362,662 S * 9/1995 Baudot D14/389
D364,389 S * 11/1995 Shimizu D14/389
D377,169 S * 1/1997 Chida D14/389
D377,789 S * 2/1997 Wang et al. D14/390
D378,211 S * 2/1997 Kuo D14/390
D386,751 S * 11/1997 Michael, III D14/346
D388,826 S 1/1998 Jones-Fenleigh et al.
D390,211 S * 2/1998 Yates et al. D14/341
D390,861 S * 2/1998 Liao D16/225
D395,639 S * 6/1998 Ham et al. D14/389
D430,872 S * 9/2000 Tamaki et al. D14/345
D436,951 S 1/2001 Andresen
D447,136 S 8/2001 Groves et al.
D449,606 S 10/2001 Lee et al.
D462,679 S * 9/2002 Liu D14/341
D483,361 S 12/2003 Yao et al.
6,680,731 B2 1/2004 Gerpheide et al.
D529,910 S 10/2006 Ota
D532,048 S * 11/2006 Delaney D19/88
7,167,158 B2 1/2007 Silverbrook
D576,618 S 9/2008 Wong
D588,126 S 3/2009 Chiang et al.
7,548,220 B2 6/2009 Silverbrook
7,567,221 B2 7/2009 Silverbrook
D598,451 S 8/2009 Andre et al.

D612,081 S * 3/2010 Ding et al. D26/37
D625,310 S 10/2010 Andre et al.
D626,550 S * 11/2010 Julien D14/341
D628,569 S * 12/2010 Guo D14/341
D628,997 S * 12/2010 Daniel D14/341
D628,998 S * 12/2010 Wu et al. D14/391
D630,355 S * 1/2011 Gulker D26/37
D630,638 S * 1/2011 Wu et al. D14/455
D633,093 S 2/2011 Andre et al.
D633,149 S * 2/2011 Parshad D19/91
D641,021 S 7/2011 Andre et al.
8,009,422 B2 * 8/2011 Misawa 361/679.55
D645,179 S * 9/2011 Gulker D26/37
D649,549 S * 11/2011 Andre et al. D14/392
2002/0069364 A1 * 6/2002 Dosch 713/200
2007/0113440 A1 * 5/2007 Asvadi 40/544
2007/0241002 A1 * 10/2007 Wu et al. 206/150

OTHER PUBLICATIONS

U.S. Appl. No. 29/365,518 entitled "Electronic Device", filed Jul. 9, 2010.
U.S. Appl. No. 29/367,620 entitled "Keyboard", filed Aug. 10, 2010.
U.S. Appl. No. 29/339,181 entitled "Keyboard" filed Jun. 25, 2009.
U.S. Appl. No. 29/393,263 entitled "Keyboard" filed Jun. 1, 2011.
U.S. Appl. No. 29/361,525 entitled "Electronic Device" filed May 12, 2010.

* cited by examiner

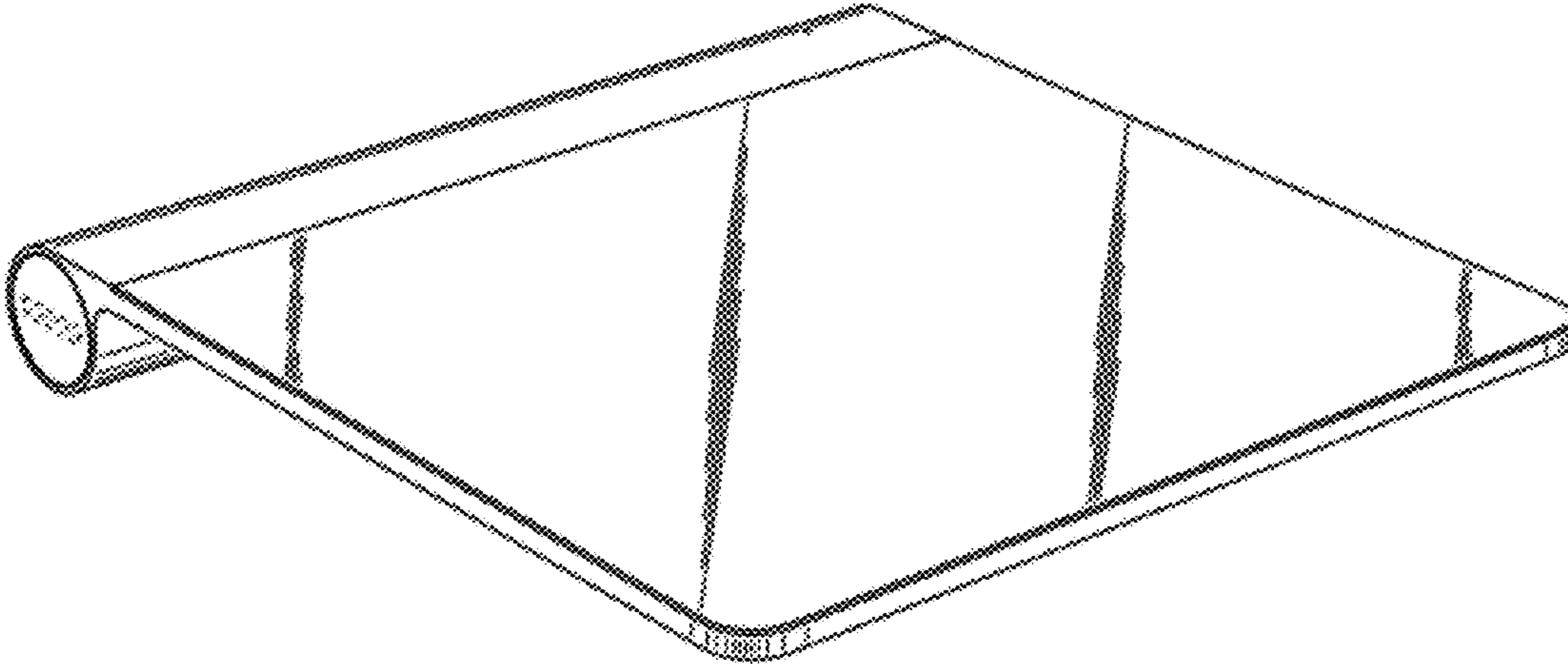


Fig. 1

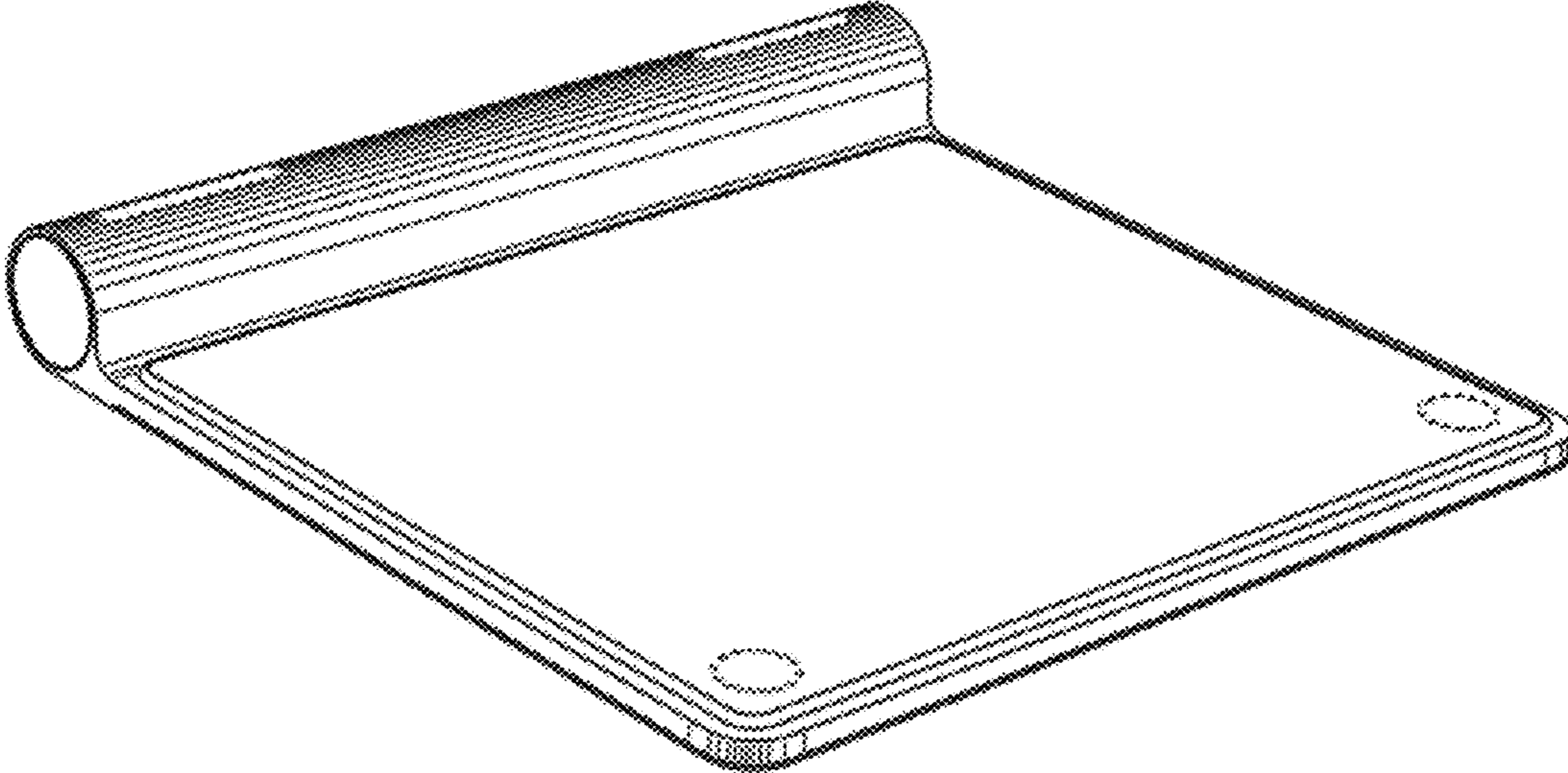


Fig. 2

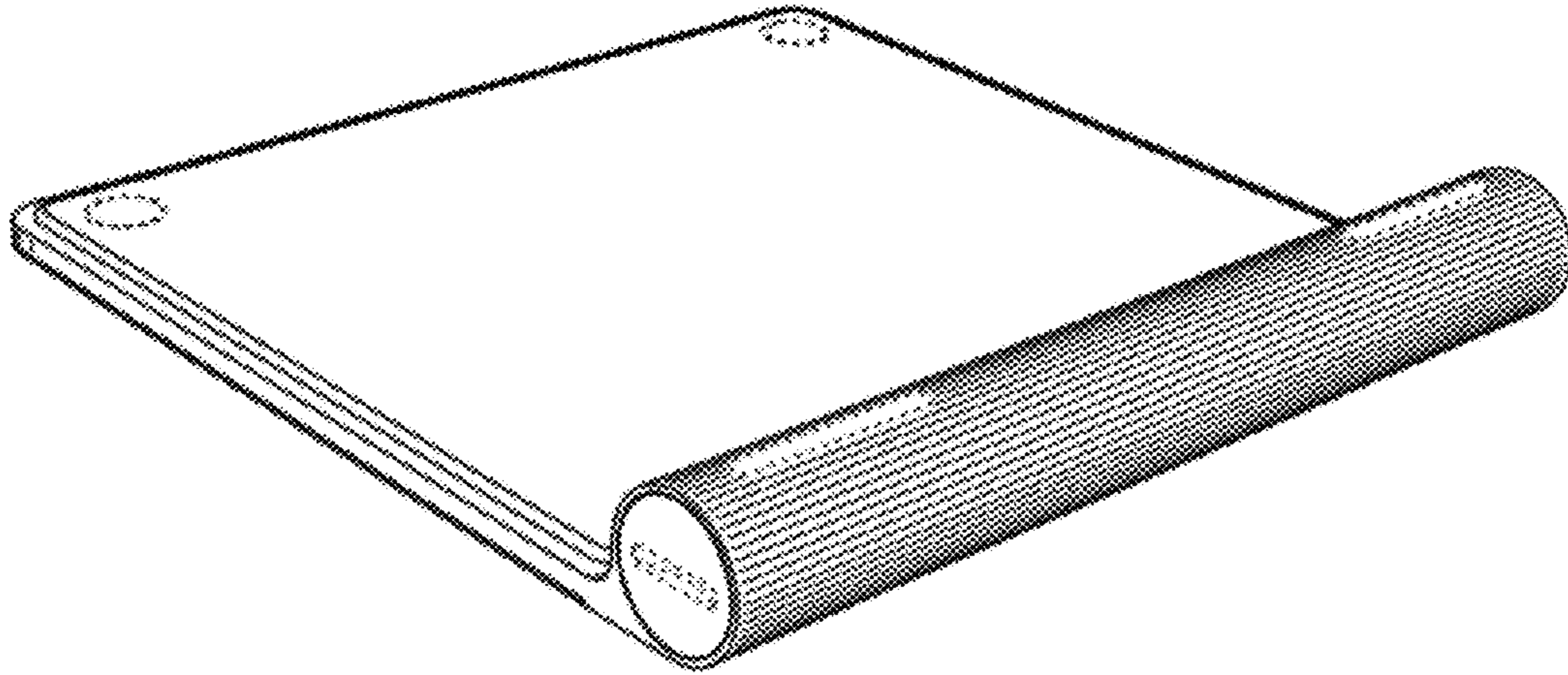


Fig. 3

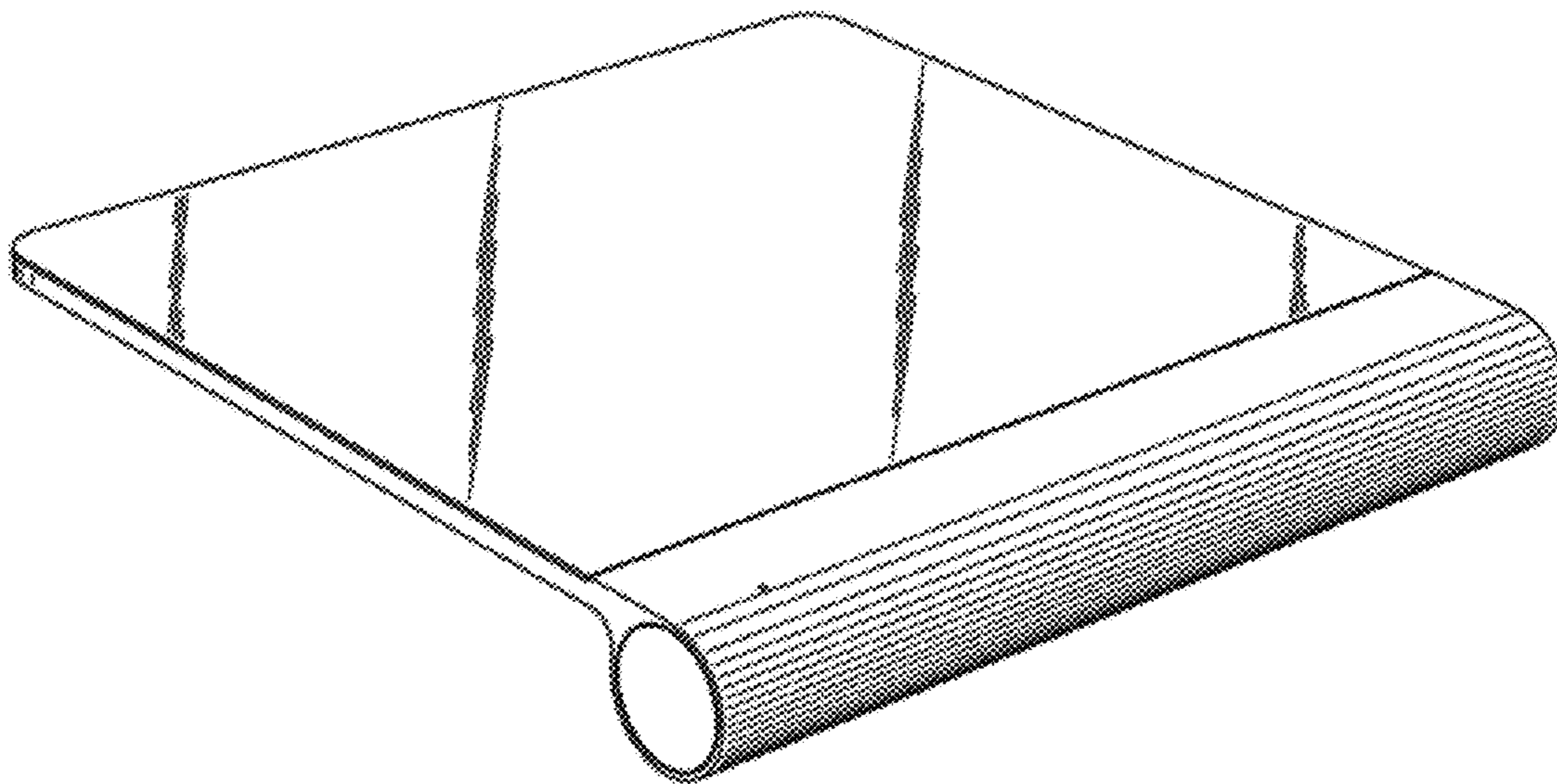


Fig. 4

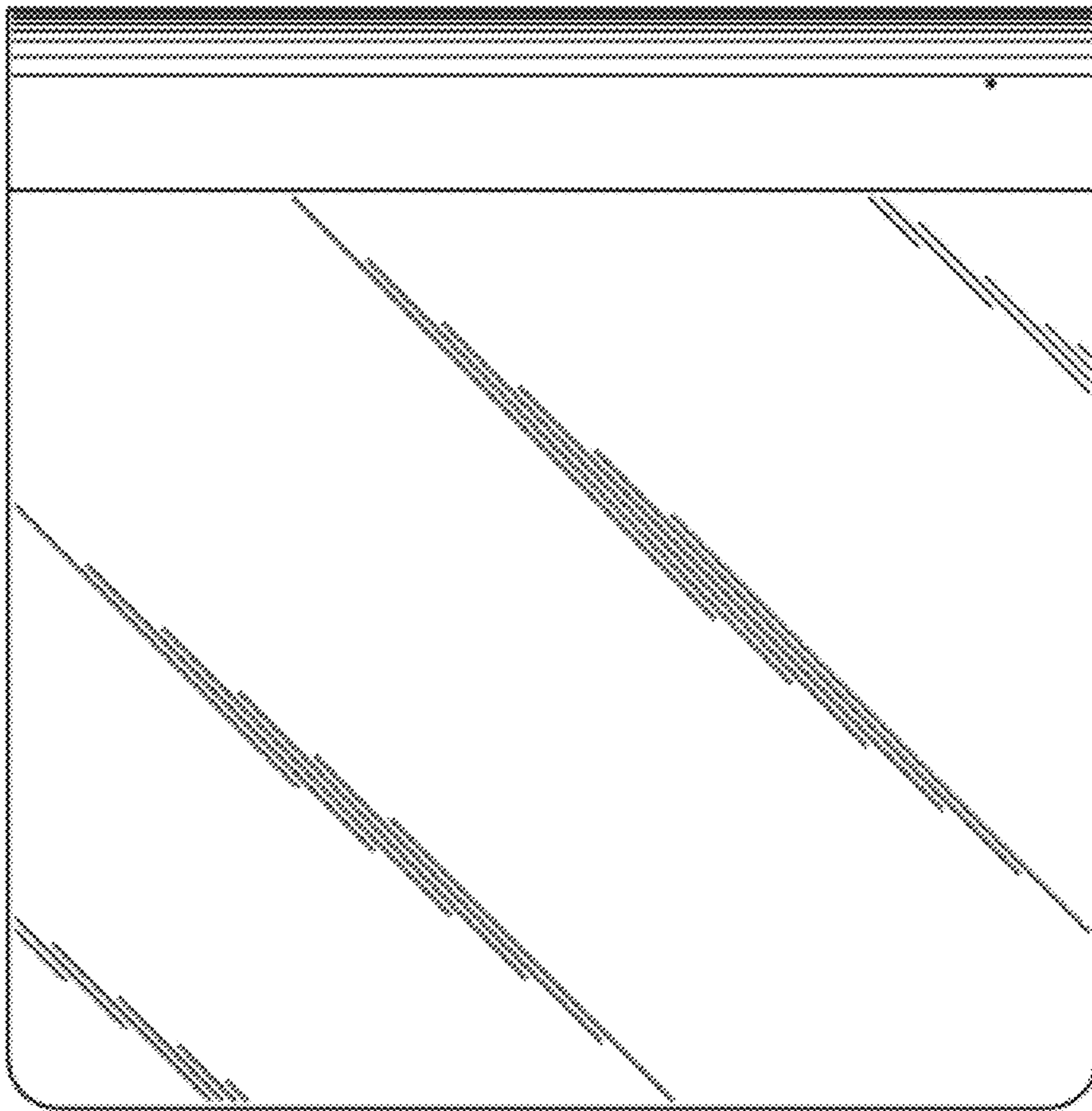


Fig. 5

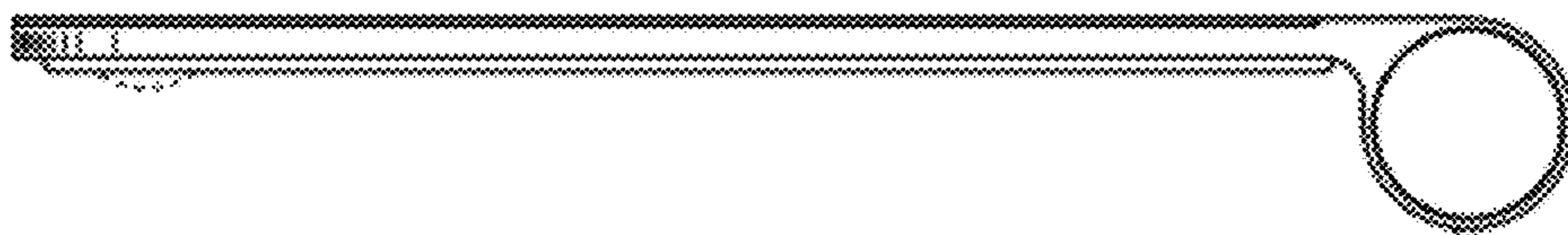


Fig. 6

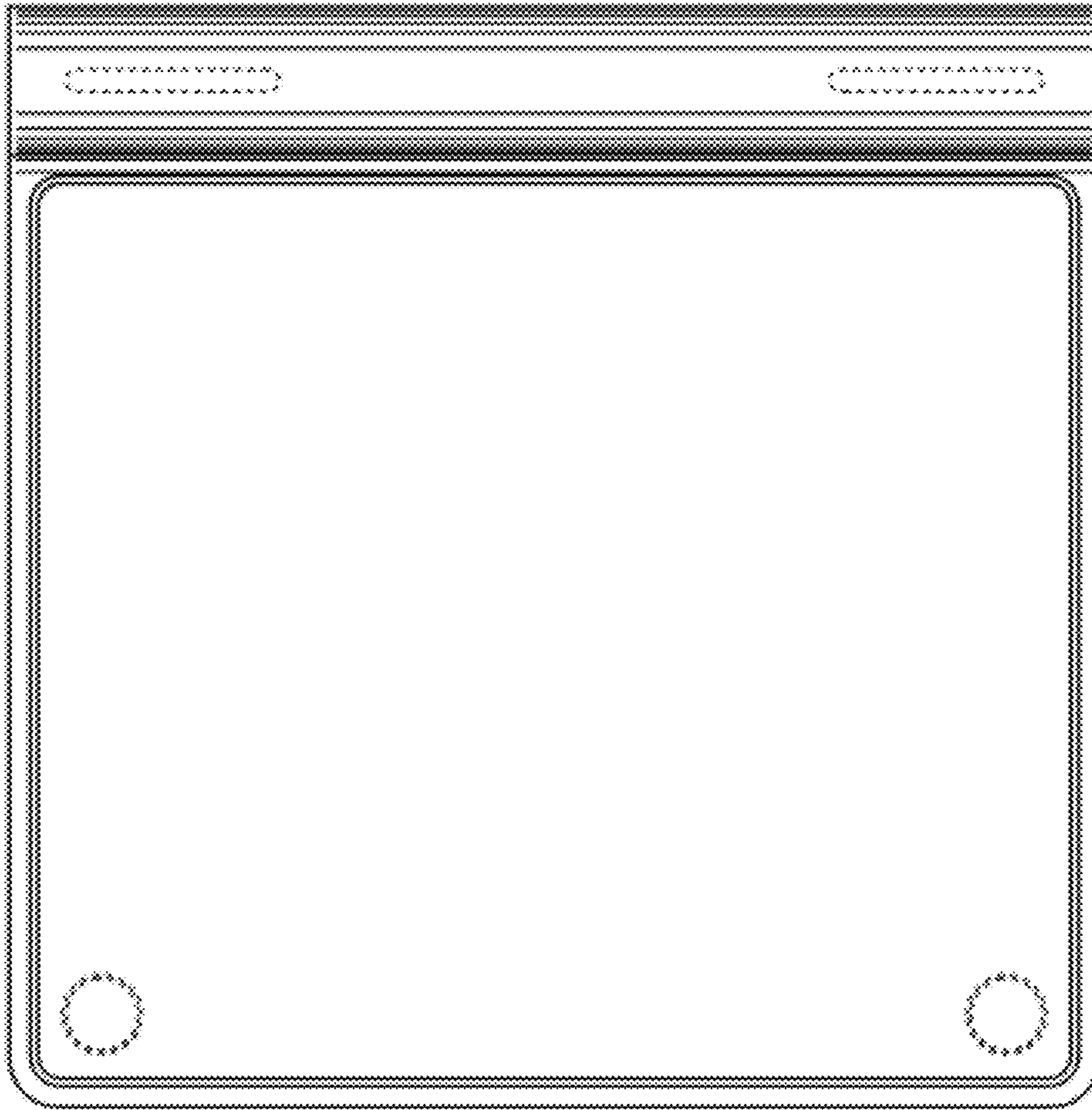


Fig. 7

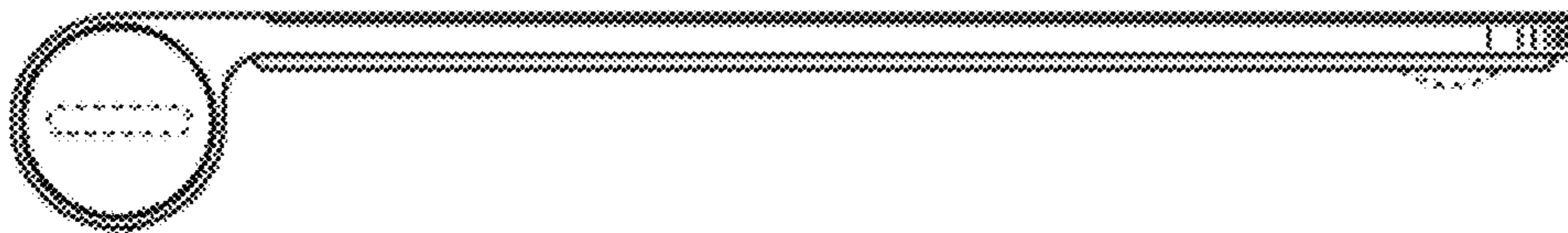


Fig. 8

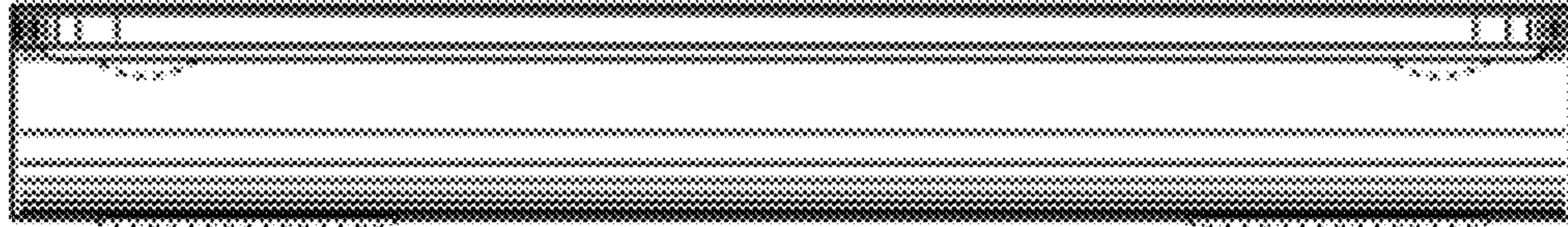


Fig. 9

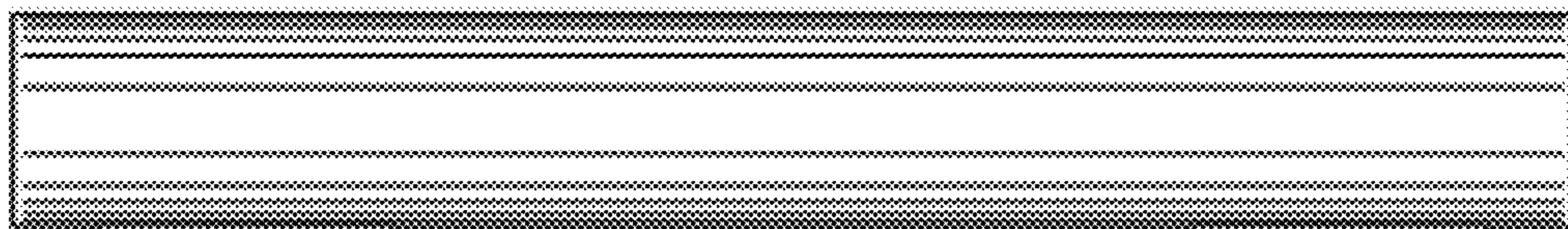


Fig. 10